

TESLA

# FREE STANDING OVEN

Electrical Oven:

CS5400SW

CS6400SW

CS5400SX

CS6400SX

## User Manual



Product images are for illustrative purposes only and may differ from the actual product.

Dear User,

We suggest you to read the user manual carefully before using the product and, keep it permanently at your disposal.

### NOTE

This user manual is prepared for more than one model. Some of the features specified in the Manual may not be available in your appliance.

All our appliances are only for domestic use, not for commercial use. Products marked with (\*) are optional.

### Conforms with the WEEE Regulations.

## IMPORTANT WARNINGS

1. Installation and repair should always be performed by **"AUTHORIZED SERVICE"**. Manufacturer shall not be held responsible for operations performed by unauthorized persons.
2. Please read this operating instructions carefully. Only by this way you can use the appliance safely and in a correct manner.
3. The oven should be used according to operating instructions.
4. Keep children below the age of 8 and pets away when operating.
5. **WARNING: The accessible parts may be hot while using the grill. Keep away from children.**
6. **WARNING: Fire hazard; do not store the materials on the cooking surface.**
7. **WARNING: The appliance and its accessible parts are hot during operation.**
8. Setting conditions of this device are specified on the label. (Or on the data plate)
9. The accessible parts may be hot when the grill is used. Small children should be kept away.
10. **WARNING: This appliance is intended for cooking. It should not be used for other purposes like heating a room.**
11. To clean the appliance, do not use steam cleaners.
12. Ensure that the oven door is completely closed after putting food inside the oven.
13. NEVER try to put out the fire with water. Only shut down the device circuit and then cover the flame with a cover or a fire blanket.
14. Children under 8 years of age should be kept away, if they cannot be monitored continuously.
15. Touching the heating elements should be avoided.
16. **CAUTION: Cooking process shall be supervised. Cooking process shall always be supervised.**
17. This device can be used by children over 8 years of age, people with physical, hearing or mental challenges or people with lack of experience or knowledge; as long as control is ensured or information is provided regarding the dangers.
18. This device has been designed for household use only.
19. Children must not play with the appliance. Cleaning or user maintenance of the appliance shall not be performed by children unless they are older than 8 years and supervised by adults.
20. Keep the appliance and its power cord away from children less than 8 years old.
21. Put curtains, tulle, paper or any flammable (ignitable) material away from the appliance before starting to use the appliance. Do not put ignitable or flammable materials on or in the appliance.
22. Keep the ventilation channels open.
23. The appliance is not suitable for use with an external timer or a separate remote control system.
24. Do not heat closed cans and glass jars. The pressure may lead jars to explode.
25. Oven handle is not a towel drier. Do not hang towels, etc. on the oven handle.
26. Do not place the oven trays, plates or aluminium foils directly on the oven base. The accumulated heat may damage the base of the oven.
27. While placing food to or removing food from the oven, etc., always use heat resistant oven gloves.
28. Do not use the product in states like medicated and/or under influence of alcohol which may affect your ability of judgement.
29. Be careful when using alcohol in your foods. Alcohol will evaporate at high temperatures and may catch fire to cause a fire if it comes in contact with hot surfaces.
30. After each use, check if the unit is turned off.
31. If the appliance is faulty or has a visible damage, do not operate the appliance.
32. Do not touch the plug with wet hands. Do not pull the cord to plug off, always hold the plug.
33. Do not use the appliance with its front door glass

removed or broken.

34. Place the baking paper together with the food into a pre-heated oven by putting it inside a cooker or on an oven accessory (tray, wire grill etc.).
35. Do not put objects that children may reach on the appliance.
36. It is important to place the wire grill and tray properly on the wire racks and/or correctly place the tray on the rack. Place the grill or tray between two rails and make sure it is balanced before putting food on it.
37. Against the risk of touching the oven heater elements, remove excess parts of the baking paper that hang over from the accessory or container.
38. Never use it at higher oven temperatures than the maximum usage temperature indicated on your baking paper. Do not place the baking paper on the base of the oven.
39. When the door is open, do not place any heavy object on the door or allow children to sit on it. You may cause the oven to overturn or the door hinges to be damaged.
40. The packaging materials are dangerous for children. Keep packaging materials away from the reach of children.
41. Do not use abrasive cleaners or sharp metal scrapers to clean the glass as the scratches that may occur on the surface of the door glass may cause the glass to break.
42. Do not place the appliance on a surface covered with carpets. Electric parts gets overheated since there will be no ventilation from below. This will cause failure of the appliance.
43. Do not hit glass surfaces of vitro-ceramic cookers with a hard metal, resistance can get damaged. It may cause an electric shock.
44. User should not handle the oven by himself.
45. Food can spill when foot of oven is dismantled or gets broken, be careful. It may cause personal injuries.
46. During usage, the internal and external surfaces of the oven get hot. As you open the oven door, step back to avoid the hot vapour coming out from the interior. There is risk of burning.
47. Upper cover of the oven can be closed for a reason, than cookware can trip over. Step back to avoid the hot food coming on you. There is risk of burning.
48. Do not place heavy objects when oven door is open, risk of toppling.
49. User should not dislocate the resistance during cleaning. It may cause an electric shock.
50. Do not remove ignition switches from the appliance. Otherwise, live electric cables can be accessed. It may cause an electric shock.
51. Oven supply can be disconnected during any construction work at home. After completing the work, re-connecting the oven shall be done by authorized service.
52. Do not place metal utensils such as knife, fork, spoon on the surface of the appliance, since they will get hot.
53. To prevent overheating, the appliance should not be installed behind of a decorative cover.
54. Turn off the appliance before removing the safeguards. After cleaning, install the safeguards according to instructions.
55. Cable fixing point shall be protected.
56. **WARNING: Don't use oven and grill burners at same time.**
57. Please don't cook the food directly on the tray / grid. Please put the food into or on appropriate tools before putting them in the oven.
58. Hot surface, leave for cooling before closing the cover.
59. **CAUTION: If the glass of the stove is broken, turn off any heating element immediately and disconnect the appliance from power source, do not touch the surface of the appliance and do not use the appliance.**

## Electrical Safety

1. Plug the appliance in a grounded socket protected by a fuse conforming to the values specified in the technical specifications chart.
2. Have an authorized electrician set grounding equipment. Our company shall not be responsible for the damages that shall be incurred due to using the product without grounding according to local regulations.
3. The circuit breaker switches of the oven shall be placed so that end user can reach them when the oven is installed.
4. The power supply cord (the cord with plug) shall not contact the hot parts of the appliance.
5. If the power supply cord (the cord with plug) is damaged, this cord shall be replaced by the manufacturer or its service agent or an equally qualified personnel to prevent a hazardous situation.
6. Never wash the product by spraying or pouring water on it! There is a risk of electrocution.

7. **WARNING:** To avoid electric shock, ensure that the device circuit is open before changing the lamp.
8. **WARNING:** Cut off all supply circuit connections before accessing the terminals.
9. **WARNING:** If the surface is cracked, turn off the appliance to avoid risk of electric shock.
10. Do not use cut or damaged cords or extension cords other than the original cord.
11. Make sure that there is no liquid or humidity in the outlet where the product plug is installed.
12. The rear surface of the oven also heats up when the oven is operated. Electrical connections shall not touch the rear surface, otherwise the connections may be damaged.
13. Do not tighten the connecting cables to the oven door and do not run them over hot surfaces. If the cord melts, this may cause the oven to short circuit and even a fire.
14. Unplug the unit during installation, maintenance, cleaning and repair.
15. If the power supply cable is damaged, it must be replaced by its manufacturer or authorized technical service or any other personnel qualified at the same level, in order to avoid any dangerous situation.
16. Make sure the plug is inserted firmly into wall socket to avoid sparks.
17. Do not use steam cleaners for cleaning the appliance, otherwise electric shock may occur.
18. An omnipolar switch capable to disconnect power supply is required for installation. Disconnection from power supply shall be provided with a switch or an integrated fuse installed on fixed power supply according to building code.
19. Fixed connections shall be connected to a power supply enabling omnipolar disconnection. For appliances with over voltage category below III, disconnection device shall be connected to fixed power supply according to wiring code.

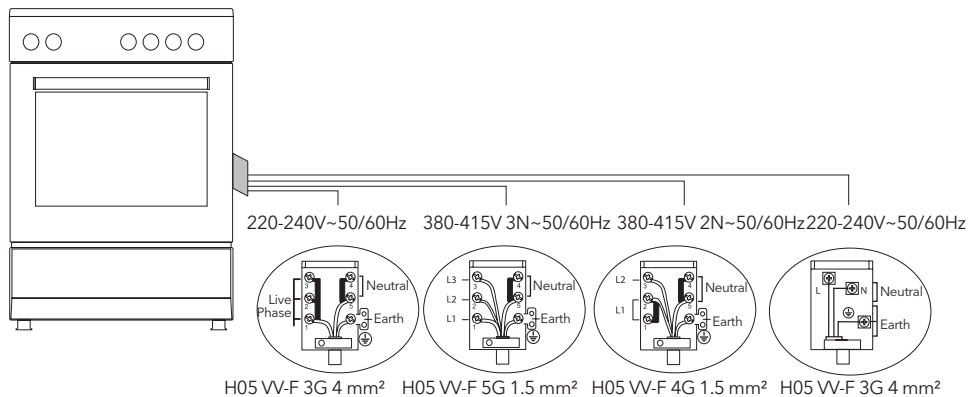
## Intended Use

1. This product has been designed for domestic use. Commercial use is not permitted.
2. This appliance may only be used for cooking purposes. It shall not be used for other purposes like heating a room.
3. This appliance shall not be used to heat plates under the grill, drying clothes or towels by hanging them on the handle or for heating purposes.
4. The manufacturer assumes no responsibility for any damage due to misuse or mishandling.
5. Oven part of the unit may be used for thawing, roasting, frying and grilling food.

## Electrical Connection

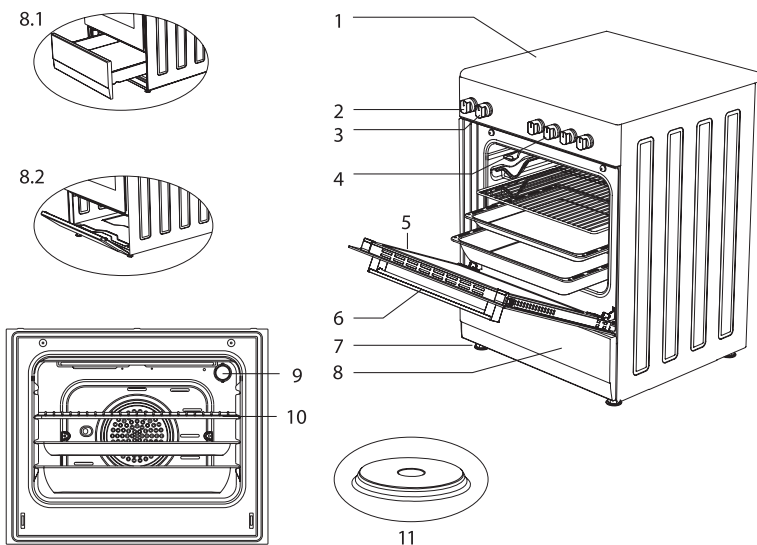
1. Your oven requires 40 Amp fuse for mono phase or 3x16 Amp fuse for 3 phase supply according to electrical power for cooker section has 4 ceramic heater and oven section has electric models. Installation by a qualified electrician is mandatory.
2. Your oven is adjusted in compliance with 220-240V / 380-415V AC, 50/60Hz. electric supply. If the mains are different from this specified value, contact your authorized service.
3. Electrical connection of the oven should only be made to connections / sockets with an earth system installed in compliance with local regulations. If there are no connections/sockets with an earth system in place where the oven will be installed, immediately contact a qualified electrician to install. The manufacturer is not responsible for damages that will arise because of the appliance not be connected to an earth system.
4. If your supply cable gets damaged, it should be replaced by an authorized service agent or qualified electrician in order to avoid danger or electric shock.
5. Electrical cable should not touch the hot parts of the appliance.
6. Operate your oven in dry atmosphere.
7. When placing your oven to its location, ensure that it is at the counter level. Bring it to the counter level by adjusting the feet if necessary.

## Electrical Connection Scheme



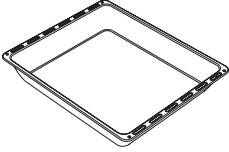
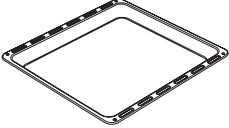
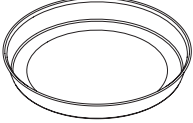
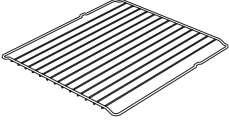
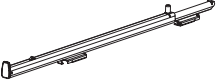
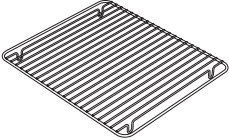
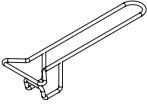
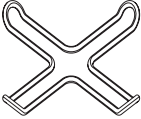
## INTRODUCTION OF THE APPLIANCE

Models: CS5400SW, CS6400SW, CS5400SX, CS6400SX



- |                                     |                                  |
|-------------------------------------|----------------------------------|
| 1. Glass top plate                  | 7. Plastic leg                   |
| 2. Thermostat knob                  | 8. Lower cabinet door            |
| 3. Command knob for oven            | 8.1. Drawer                      |
| 4. Regulators for vitroceramic hobs | 8.2. Flap door                   |
| 5. Oven door                        | 9. Lamp                          |
| 6. Handle                           | 10. Grill                        |
|                                     | 11. Hot plate (145 mm or 185 mm) |

## Accessories

	<p><b>Deep tray*</b> Used for pastry, big roasts, watery foods. It can also be used as oil collecting container if you roast directly on grill with cake, frozen foods and meat dishes.</p>
	<p><b>Tray / Glass tray*</b> Used for pastry (cookie, biscuit etc.), frozen foods.</p>
	<p><b>Circular tray*</b> Used for pastry frozen foods.</p>
	<p><b>Wire grill</b> Used for roasting or placing foods to be baked, roasted and frozen into desired rack.</p>
	<p><b>Telescopic rail*</b> Trays and wire racks can be removed and installed easily thanks to telescopic rails.</p>
	<p><b>In tray wire grill*</b> Foods to stick while cooking such as steak are placed on in tray grill. Thus contact of food with tray and sticking are prevented.</p>
	<p><b>Tray handle*</b> It is used to hold hot trays.</p>
	<p><b>Coffee pot support unit *</b> Can be used for coffee pot.</p>

## Technical features of your oven

Specifications	50x55	50x60	60x60
Outer width	500 mm	500 mm	600 mm
Outer depth	565 mm	630 mm	630 mm
Outer height	855 mm	855 mm	855 mm
Lamp power	15-25 W		
Bottom heating element	1000 W	1000 W	1200 W
Top heating element	800 W	800 W	1000 W
Turbo heating element	----	1800 W	2200 W
Grill heating element	1500 W	1500 W	2000 W
Supply voltage	220-240V AC/380-415V AC 50/60 Hz		
Hot plate 145 mm *	1000 W		
Hot plate 180 mm *	1500 W		
Hot plate rapid 145 mm *	1500 W		
Hot plate rapid 180 mm *	2000 W		

### **WARNING!**

- **WARNING:** For the modification to be done by authorized service, this table should be considered. Manufacturer may not be held responsible for any problems rising because of any faulty modification.
- **WARNING:** In order to increase the product quality, the technical specifications may be changed without prior notice.
- **WARNING:** The values provided with the appliance or its accompanying documents are laboratory readings in accordance with the respective standards. These values may differ depending on the use and ambient conditions.

## INSTALLATION OF YOUR OVEN

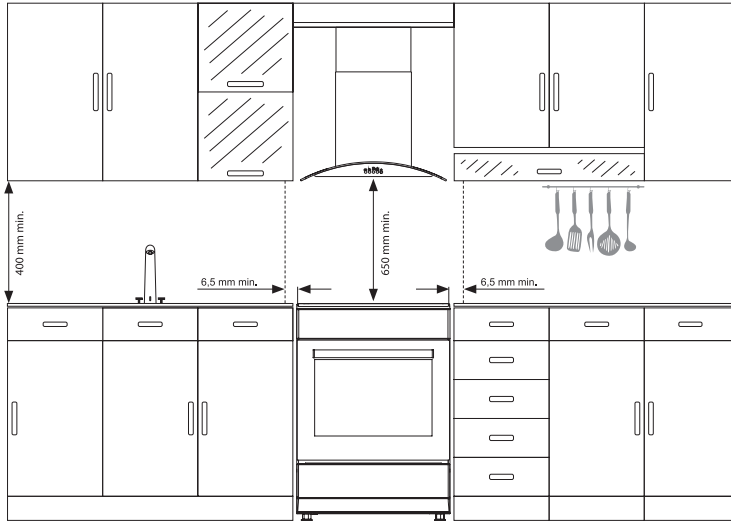
Check if the electrical installation is proper to bring the appliance in operating condition. If electricity installation is not suitable, call an electrician and plumber to arrange the utilities as necessary. Manufacturer shall not be held responsible for damages caused by operations performed by unauthorized persons.

### **WARNING!**

- **WARNING:** It is customer's responsibility to prepare the location the product shall be placed on and also to have the electrical installation prepared.
- **WARNING:** The rules in local standards about electrical installations shall be followed during product installation.
- **WARNING:** Check for any damage on the appliance before installing it. Do not have the product installed if it is damaged. Damaged products cause a risk for your safety.

## Right Place for Installation and Important Warnings

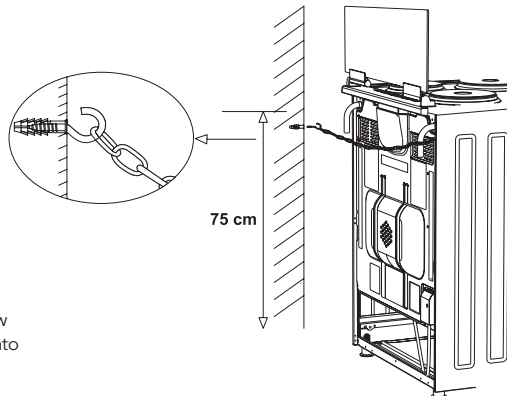
- Appliance feet should not stay on soft surfaces such as carpets. The kitchen floor shall be durable to carry the unit weight and any other kitchenware that may be used on the oven.
- Appliance should be used with a clearance of minimum 400 mm over the upper hob surfaces, and 65 mm from side surfaces inside a kitchen furniture.
- The appliance is suitable for use on both side walls, without any support, or without being installed in a cabinet. If a hood or aspirator will be installed above the cooker, follow the instructions of the manufacturer for height of mounting. (min. 650 mm)



### WARNING!

- **WARNING:** The kitchen furniture near the appliance must be heat resistant.
- **WARNING:** Do not install the appliance beside refrigerators or coolers. Heat radiated by the appliance increases the energy consumption of cooling devices.
- **WARNING:** Do not use the door and/or handle to carry or move the appliance.

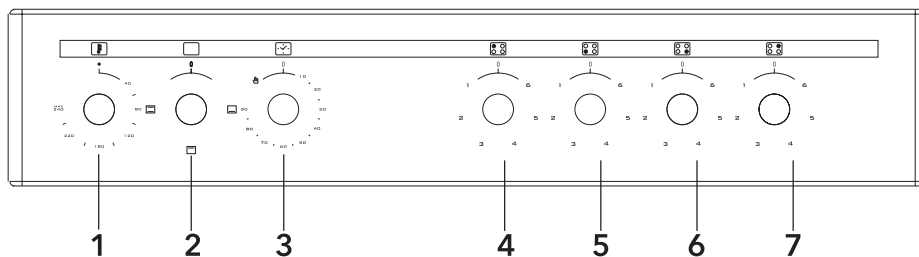
## Chain lashing illustration



Before using the appliance, in order to ensure safe use, be sure to fix the appliance to the wall using the chain and hooked screw supplied. Ensure that the hook is screwed into the wall securely.



# CONTROL PANEL

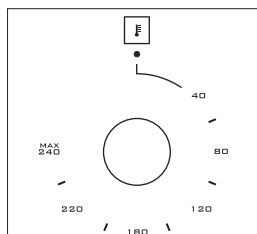


1. Thermostat
2. Function selection button
3. Mechanical timer \*
4. Rear left electrical heater
5. Front left electrical heater
6. Front right electrical heater
7. Rear right electrical heater

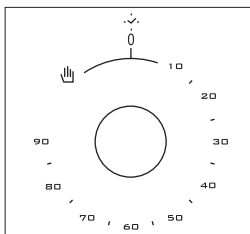


## WARNING!

The control panel above is only for illustration purposes. Consider the control panel on your device.



**Thermostat:** Used for determining the cooking temperature of the dish to be cooked in the oven. After placing the food inside the oven, turn the switch to adjust desired temperature setting between 40-240 °C. For cooking temperatures of different food, see cooking table.



**Mechanical timer\*:** Used for determining the period for cooking in the oven. When adjusted time is expired, power to heaters is turned off and an audible warnig signal is emitted. Mechanical timer can be adjusted to desired period between 0-90 minutes. For cooking periods, see cooking tables.

## USING OVEN SECTION

### Using Oven Heating Elements

1. When your oven is operated first time, an odor will be spread out which will be sourced from using the heating elements. In order to get rid of this, operate it at 240 °C for 45-60 minutes while it is empty.
2. Oven control knob should be positioned to desired value; otherwise oven does not operate.
3. Kinds of meals, cooking times and thermostat positions are given in cooking table. The values given in the cooking table are characteristic values and were obtained as a result of the tests performed in our laboratory. You can find different flavors suitable for your taste depending on your cooking and using habits.
4. You can make chicken revolving in your oven by means of the accessories.
5. Cooking times: The results may change according to the area voltage and material having different quality, amount and temperatures.
6. During the time when cooking is being performed in the oven, the lid of the oven should not be opened frequently. Otherwise circulation of the heat may be imbalanced and the results may change.

## Using The Grill

1. When you place the grill on the top rack, the food on the grill shall not touch the grill.
2. You can preheat for 5 minutes while grilling. If necessary, you may turn the food upside down.
3. Food shall be in the center of the grill to provide maximum air flow through the oven.

### To turn on the grill;

1. Place the function button over the grill symbol.
2. Then, set it to the desired grill temperature.

### To turn the grill off;

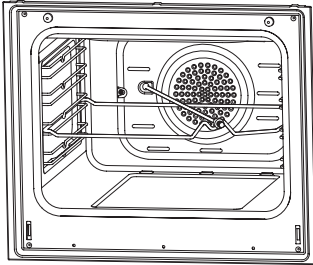
Set the function button to the off position.



### WARNING!

Keep the oven door closed while grilling. (electrical grill)

## Using The Chicken Roasting\*



Place the spit on the frame. Slide turn spit frame into the oven at the desired level. Locate a dripping pan through the bottom in order to collect the fat. Add some water in dripping pan for easy cleaning. Do not forget to remove plastic part from spit. After grilling, screw the plastic handle to the skewer and take out the food from oven.

## USING COOKER SECTION

### Using Hot Plates

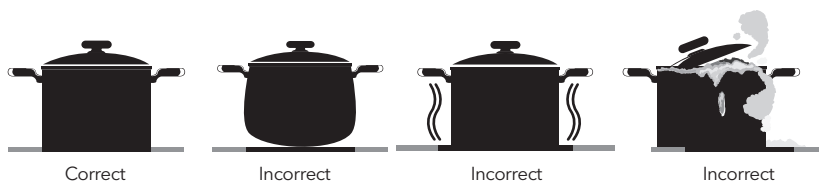
	Level 1	Level 2	Level 3	Level 4	Level 5	Level 6
80 mm	200 W	250 W	450 W	---	---	---
145 mm	250 W	750 W	1000 W	---	---	---
180 mm	500 W	750 W	1500 W	---	---	---
145 mm rapid	500 W	1000 W	1500 W	---	---	---
180 mm rapid	850 W	1150 W	2000 W	---	---	---
145 mm	95 W	155 W	250 W	400 W	750 W	1000 W
180 mm	115 W	175 W	250 W	600 W	850 W	1500 W
145 mm rapid	135 W	165 W	250 W	500 W	750 W	1500 W
180 mm rapid	175 W	220 W	300 W	850 W	1150 W	2000 W
220 mm	220 W	350 W	560 W	910 W	1460 W	2000 W

1. Electric hotplates have standard of 6 temperature levels. (as describe herein above)
2. When using first time, operate your electric hotplate in position 6 for 5 minutes. This will make the agent on your hotplate which is sensitive to heat get hardened by burning.
3. Use flat bottomed saucepans which fully contact with the heat as much as you can, so that you can use the energy more productively.



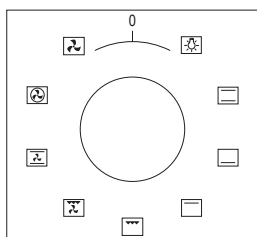
**WARNING!**

With intensive use of the appliance, the hot plates' rings and surrounding area can change color. Service interventions are not covered by warranty in that case.



## PROGRAM TYPES

Models: CS5400SW, CS6400SW, CS5400SX, CS6400SX



**Function Button:** Used for determining the heaters to be used for cooking the dish to be cooked in the oven. Heater program types in this button and their functions are described below. All heater types and program types consisting of these heaters may not be available at all models.

	Turnspit		Fan
	Top + Bottom heating element		Turbo heating + Fan
	Lamp		Bottom + Top heating elements + Fan
	Bottom heating element+ Fan		Grill heating element+Fan
	Grill heating element		Grill burner / Grill heating element
	Grill heating element+Lamp		Top heating element
	Electrical timer		Oven burner / Bottom heating element



**WARNING!**

All heater types and program types consisting of these heaters may not be available at all models.

# INSTALLATION OF THE OVEN DOOR

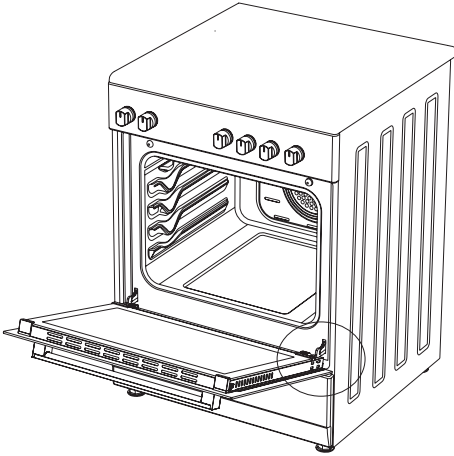


Figure 1

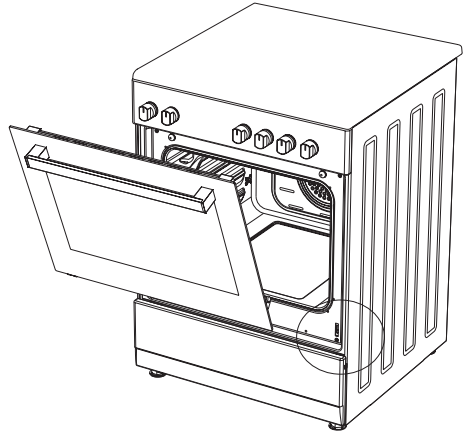


Figure 2

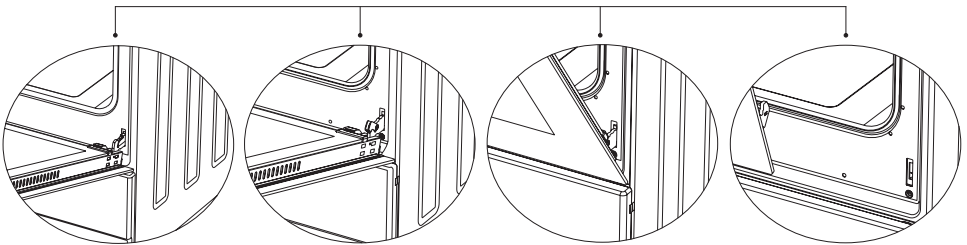


Figure 1.1

Completely open the oven door by pulling it to your- self. Afterwards, perform the un- locking process by pulling the hinge lock upwards with the help of a screw driver as shown in figure 1.1.

Figure 1.2

Bring the hinge lock to the widest angle as shown in figure 1.2. Bring both hinges con- necting the oven door to the oven to the same position.

Figure 2.1

Afterwards, close the oven door as to lean on the hinge lock as shown in figure 2.1.

Figure 2.2

To remove the oven door, pull it upwards by holding it with both hands when close to the closed position as shown in figure 2.2.

In order to re-place the oven door, perform the abovementioned steps in reverse.

## Cleaning And Maintenance Of The Oven's Front Door Glass

Remove the profile by pressing the plastic latches on both left and right sides as shown in figure 3 and pulling the profile towards yourself as shown in figure 4. Then remove the inner-glass as shown in figure 5. If required, middle glass can be removed in the same way. After cleaning and maintenance are done, remount the glasses and the profile in reverse order. Make sure the profile is properly seated in its place.

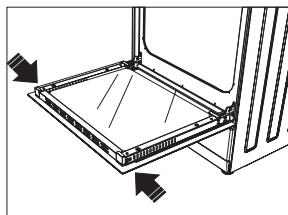


Figure 3

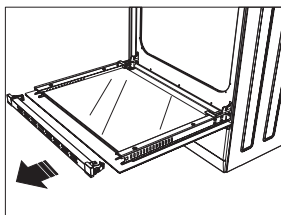


Figure 4

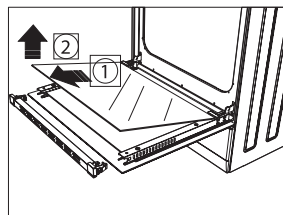


Figure 5

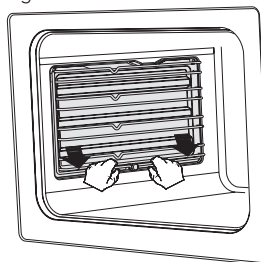
### Catalytic Walls\*

Catalytic walls are located on the left and the right side of cavity under the guides. Catalytic walls banish the bad smell and obtain the best performance from the cooker. Catalytic walls also absorb oil residue and clean your oven while it's operating.

### Removing the catalytic walls

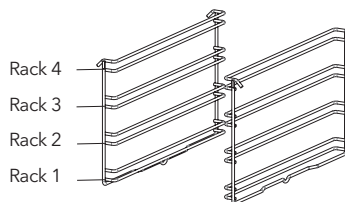
In order to remove the catalytic walls; the guides must be pulled out. As soon as the guides are pulled out, the catalytic walls will be released automatically. The catalytic walls must be changed after 2-3 years.

Figure 6



### Rack Positions

It is important to place the wire grill into the oven properly. Do not allow wire rack to touch rear wall of the oven. Rack positions are shown in the next figure. You may place a deep tray or a standard tray in the lower and upper wire racks.



### Installing and removing wire racks

To remove wire racks, press the clips shown with arrows in the figure, first remove the lower, and then the upper side from installation location. To install wire racks; reverse the procedure for removing wire rack.

### Changing The Oven Lamp



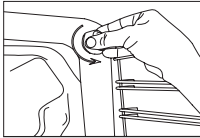
**WARNING!**

To avoid electric shock, ensure that the appliance circuit is open before changing the lamp. (having circuit open means power is off) First disconnect the power of appliance and ensure that appliance is cold.

Remove the glass protection by turning as indicated in the figure on the left side. If you have difficulty in turning, then using plastic gloves will help you in turning.

Then remove the lamp by turning, install the new lamp with same specifications.

Reinstall glass protection, plug the power cable of appliance into electrical socket and complete replacement. Now you can use your oven.

**Type G9 Lamp**

220-240 V, AC 15-25 W

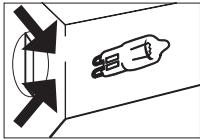
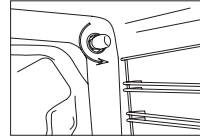


Figure 7

**Type E14 Lamp**

220-240 V, AC 15 W

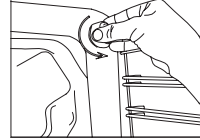


Figure 8

**Using The Grill Deflector Sheet \***

1. A safety panel is designed to protect control panel and the buttons when the oven is in grill mode. (figure 9)
2. Please use this safety panel in order to avoid the heat to damage control panel and the buttons when the oven is grill mode.

**WARNING!**

Accessible parts may be hot when the grill in use. Young children should be kept away.

3. Place the safety panel under control panel by opening the oven front cover glass. (figure 10)
4. And then secure the safety panel in between oven and front cover by gently closing the cover. (figure 11)
5. It is important for cooking to keep the cover open in specified distance when cooking in grill mode.
6. Safety panel will provide an ideal cooking circumstance while protecting control panel and buttons.

**WARNING!**

If the cooker has the "closed grill functioned" option with thermostat, you can keep the oven door closed during operation; in this case the grill deflector sheet will be unnecessary.

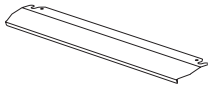


Figure 9

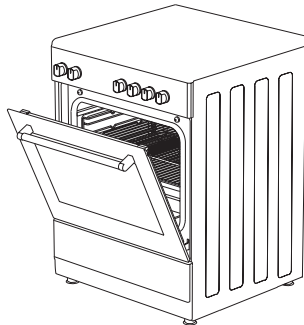


Figure 10

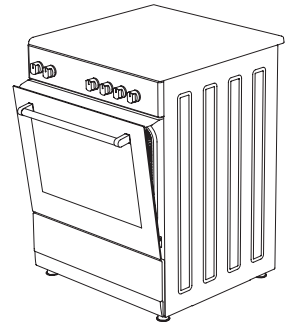


Figure 11

# TROUBLESHOOTING

You may solve the problems you may encounter with your product by checking the following points before calling the technical service.

## Check Points

In case you experience a problem about the oven, first check the table below and try out the suggestions.

Problem	Possible Cause	What to Do
Oven does not operate.	Power supply not available.	Check for power supply.
Oven stops during cooking.	Plug comes out from the wall socket.	Re-install the plug into wall socket.
Turns off during cooking.	Too long continuous operation.	Let the oven cool down after long cooking cycles.
	More than one plugs in a wall socket.	Use only one plug for each wall socket.
Oven door is not opening properly.	Food residues jammed between the door and internal cavity.	Clean the oven well and try to re-open the door.
Electric shock when touching the oven.	No proper grounding.	Make sure power supply is grounded properly.
	Ungrounded wall socket is used.	
Water dripping.	Water or steam may generate under certain conditions depending on the food being cooked. This is not a fault of the appliance.	Let the oven cool down and than wipe dry with a dishcloth.
Steam coming out from a crack on oven door.		
Water remaining inside the oven.		
Smoke coming out during operation.	When operating the oven for the first time	Smoke comes out from the heaters. This is not a fault. After 2-3 cycles, there will be no more smoke.
	Food on heater.	Let the oven to cool down and clean food residues from the heater.
When operating the oven burnt or plastic odour coming out.	Plastic or other not heat resistant accessories are being used inside the oven.	At high temperatures, use suitable glassware accessories.
Oven does not heat.	Oven door is open.	Close the door and restart.
	Oven controls not correctly adjusted.	Read the section regarding operation of the oven and reset the oven.
	Fuse tripped or circuit breaker turned off.	Replace the fuse or reset the circuit breaker. If this is repeating frequently, call an electrician.
Oven does not cook well.	Oven door is opened frequently during cooking.	Do not open oven door frequently, if the food you are cooking does not require turning. If you open the door frequently internal temperature drops and therefore cooking result will be influenced.
Internal light is dim or does not operate.	Foreign object covering the lamp during cooking.	Clean internal surface of the oven and check again.
	Lamp might be failed.	Replace with a lamp with same specifications.

## HANDLING RULES

1. Do not use the door and/or handle to carry or move the appliance.
2. Carry out the movement and transportation in the original packaging.
3. Pay maximum attention to the appliance while loading/unloading and handling.
4. Make sure that the packaging is securely closed during handling and transportation.
5. Protect from external factors (such as humidity, water, etc.) that may damage the packaging.
6. Be careful not to damage the appliance due to bumps, crashes, drops, etc. while handling and transporting and not to break or deform it during operation.

## RECOMMENDATIONS FOR ENERGY SAVING

Following details will help you use your product ecologically and economically.

1. Use dark coloured and enamel containers that conduct the heat better in the oven.
2. As you cook your food, if the recipe or the user manual indicates that pre-heating is required, pre-heat the oven.
3. Do not open the oven door frequently while cooking.
4. Try not to cook multiple dishes simultaneously in the oven. You may cook at the same time by placing two cookers on the wire rack.
5. Cook multiple dishes successively. The oven will not lose heat.
6. Turn off the oven a few minutes before the expiration time of cooking. In this case, do not open the oven door.
7. Defrost the frozen food before cooking.

## ENVIRONMENTALLY-FRIENDLY DISPOSAL



Dispose of packaging in an environmentally-friendly manner.

This appliance is labelled in accordance with European Directive 2012/19/EU concerning used electrical and electronic appliances (waste electrical and electronic equipment - WEEE). The guideline determines the frame work for the return and recycling of used appliances as applicable throughout to the EU.

## PACKAGE INFORMATION

Packaging materials of the product are manufactured from recyclable materials in accordance with our National Environment Regulations. Do not dispose of the packaging materials together with the domestic or other wastes. Take them to the packaging material collection points designated by the local authorities.



I dashur përdorues,

Ne ju sugjerojmë që të lexoni me kujdes manualin e përdorimit përpara se të përdorni produktin dhe ta mbani me vete gjatë gjithë kohësheqjen.

## SHËNIM

Ky manual përdorimi është përgatitur për më shumë se një model. Disa nga funksionet e listuara në Manual mund të mos jenë në dispozicion në pajisjen tuaj.

Të gjitha pajisjet tona janë vetëm për përdorim shtëpiak dhe jo për përdorim komercial. Produktet e shënuara me (\*) janë opsionale.

**Në përputhje me rregulloret e WEEE.**

# PARALAJMËRIME TË RËNDËSISHME

- Instalimi dhe riparimi duhet të kryhen gjithmonë nga "**SHËRBIMI I AUTORIZUAR**". Prodhuesi nuk do të jetë përgjegjës për operacionet e kryeranga persona të paautorizuar.
- Ju lutemi lexoni me kujdes këto udhëzime funksionimi. Kjo është mënyra e vetme që mund ta përdorni pajisjen në mënyrë të sigurt dhe të saktë.
- Furra duhet të përdoret sipas punësudhëzimit.
- Mbani larg fëmijët nën 8 vjeç dhe kafshët shtëpiake kur punoni.
- PARALAJMËRIM: Pjesët e aksesueshme mund të jenë të nxehta gjatë përdorimit të grilës. Mbajeni larg fëmijëve.**
- PARALAJMËRIM: Rrezik zjarri; mos ruani materiale në sipërfaqen e gatimit.**
- PARALAJMËRIM: Pajisja dhe pjesët e saj të aksesueshme nxehen gjatë punës.**
- Kushtet e instalimit të kësaj pajisjeje tregohen në etiketë. (Ose në pllakën e emrit)
- Pjesët e aksesueshme mund të jenë të nxehta kur grilla është në përdorim. Fëmijët e vegjël duhet të qëndrojnë larg.
- PARALAJMËRIM: Kjo pajisje është menduar për gatim. Nuk duhet të përdoret për qëllime të tjera si ngrohja e dhomës.**
- Mos përdorni pastrues me avull për të pastruar pajisjen.
- Sigurohuni që dera e furrës të jetë plotësisht e mbyllur pasi të keni vendosur ushqimin brenda furrës.
- KURRË mos u përpiqni të shuani zjarrin me ujë. Thjesht fikni qarkun e pajisjes dhe më pas mbulonni flakën me një kapak ose batanije zjarri.
- Fëmijët nënMosha 8 vjeç duhet të mbahet mënjane nëse nuk mund të monitorohet vazhdimisht.
- Duhet të shmangjet prekja e elementeve të ngrohjes.
- KUJDES: Procesi i gatimit duhet të mbikëqyret. Procesi i gatimit duhet të mbikëqyret gjithmonë.**
- Kjo pajisje mund të përdoret nga fëmijë mbi 8 vjeç, persona me sfida fizike, dëgjimore ose mendore ose persona me mungesë eksperience. ose njohuri; përdërisa sigurohet kontrolli ose jepet informacion mbi rrezikun.
- Kjo pajisje është projektuar për përdorim shtëpiakvetëm.
- Fëmijët nuk duhet të luajnë me pajisjen. Pastrimi ose mirëmbajtja e pajisjes nga përdoruesi nuk duhet të kryhet nga fëmijët përveç nëse janë mbi 8 vjeç dhe nën mbikëqyrjen e të rriturve.
- Mbajeni pajisjen dhe kordonin e saj të rrymës larg fëmijëve nën 8 vjeç.
- Vendosni perdet, tullat, letër ose çdo material të djegshëm (të ndezshëm) larg pajisjes përpara se të filloni të përdorni pajisjen. Mos vendosni materiale të ndezshme ose të djegshme mbi ose brenda pajisjes.
- Mbani kanalet e ventilimit të hapura.
- Pajisja nuk është e përshtatshme për t'u përdorur me një kohëmatës të jashtëm ose me telekomandë të veçantësisht.
- Mos ngrohni kanaçë të mbyllura dhekavanoza qelqi. Presioni mund të shkaktojë që kavanozët të shpërthejnë.
- Doreza e furrësjo tharëse peshqiri. Mos varni peshqirë etj. në dorezën e furrës.
- Mos vendosni tava, pjata ose letër alumini direkt në bazën e furrës. Nxehtësia e akumuluar mund të dëmtojë bazënfurre.
- Gjatë futjes ose heqjes së ushqimit ngafurrë, etj., përdorni gjithmonë dorashka furre rezistente ndaj nxehtësisë.
- Mos e përdorni produktin në kushte të tilla si mjekimi dhe/ose nën ndikimin e alkoolit që mund të ndodhëndikon në aftësinë tuaj për të arsyetuar.
- Kini kujdes kur përdorni alkool në ushqimin tuaj. Alkooli do të avullojë në temperatura të larta dhe mund të ndizet dhe të shkaktojë zjarr nëse bie në kontakt me sipërfaqe të nxehta.
- Pas çdo përdorimi, kontrolloni nëse pajisjaështë i fukur.
- Nëse pajisja është me defekt ose ka dëmtime të dukshme, mos e përdorni pajisjen.

32. Mos e prekniprizë me duar të lagura. Mos e tërhiqni kordonin për ta shkëputur, mbajeni gjithmonë spinën.
33. Mos e përdorni pajisjen me xhamin e derës së përparme hequr ose thyer.
34. Vendosni letrën e pjekjes së bashku me ushqimin në një furrë të parangrohur duke e vendosur në sobë osenë aksesorin e furrës (tebaka, raft teli, etj.).
35. Mos vendosni objekte që fëmijët mund të arrijnëpajisja.
36. Është e rëndësishme të vendosni saktë skarën e telit dhe tabakanë në raftet e telit dhe/ose ta vendosni saktë tabakanë në raft. Vendoseni raftin ose tabakanë midis dy shiritave dhe sigurohuni që paraprakisht të jetë i balancuaduke vënë ushqim mbi të.
37. Kundër rrezikut të prekjës së ngrohësit të furrëselementet, hiqni pjesët e tepërta të letrës së pjekjes që varen nga bashkëngjitja ose ena.
38. Asnjëherë mos e përdorni në temperatura më të larta të furrës se temperatura maksimale e përdorimit të treguar në tuajletër pjekjeje. Mos e vendosni letrën e pjekjes në bazën e furrës.
39. Kur dera është e hapur, mos vendosni sende të rënda në derë dhe mos lejoni fëmijët të ulen mbi të. Mund të bëni që furra të përmbysset ose të dëmtojë menteshat e derës.
40. Materialet e paketimit janë të rrezikshmepër fëmijë. Mbani materialet e paketimit jashtë mundësive të fëmijëve.
41. Mos përdorni pastrues gërryes ose kruese metalike të mprehta për të pastruar xhamin pasi gërvishjet që mund të shfaqen në sipërfaqen e xhamit të derës mund të shkaktojnë thyerjen e xhamit.
42. Mos e vendosni pajisjennë një zonë të shtruar me qilim. Pjesët elektrike mbinxehen sepse nuk do të ketë ventilim poshtë. Kjo do të bëjë që pajisja të mos funksionojë.
43. Mos i goditni sipërfaqet e xhamit të sobave vitro-qeramike me metal të fortë, rezistenca mund të dëmtohet. Mund të shkaktojë goditje elektrike.
44. Përdoruesi nuk duhet ta përdorë vetë furrën.
45. Ushqimi mund të derdhet kur këmba e furrës është çmontuar ose thyer, kini kujdes. Mund të shkaktojë personaleëndimet.
46. Gjatë përdorimit, sipërfaqet e brendshme dhe të jashtme të furrës nxehen. Kur hapni derën e furrës, kthehuni prapa për të shmangur daljen e avullit të nxehtëpunët e brendshme. Ekziston rreziku i djegies.
47. Kapaku i sipërm i furrësmund të mbyllet për një arsye, pasi enët e gatimit mund të kërcejnë. Kthehuni prapa për të shmangur ushqimin e nxehtë që ju vjen. Ekziston rreziku i djegies.
48. Mos vendosni objekte të rënda kur dera e furrës është e ndezuri hapur, rreziku i rënies.
49. Përdoruesi nuk duhet ta heqë rezistencën gjatë pastrimit. Mund të shkaktojë goditje elektrike.
50. Mos i hiqni çelësat e ndezjes nga pajisja. Përdryshe, kabllot elektrike të drejtpërdrejtë mund të aksesohen. Mund të shkaktojë goditje elektrike.
51. Fuqia e furrës mund të fiket gjatë çdopunë ndërtimi në shtëpi. Pas përfundimit të punës, rilidhja e furrës duhet të kryhet ngaservis i autorizuar.
52. Mos vendosni enë metalike si thikë, pirun, lugë në sipërfaqen e pajisjes, pasi ato do të nxehen.
53. Për të parandaluar mbinxehjen, pajisja nuk duhet të vendoset pas mbulesës dekorative.
54. Fikeni pajisjen përpara se të hiqni mekanizmat mbrojtës. Pas pastrimit, instaloni mekanizmat mbrojtës sipas udhëzimeve.
55. Pika e lidhjes së kabllove duhet të mbrohet.
56. **PARALAJMËRIM: Mos përdorni ndezësin e furrës dhe skarës në të njëjtën kohë.**
57. Ju lutemi, mos e gatvani ushqimin direkt në tabaka/gratë. Ju lutemi vendosni ushqimin brenda ose mbi enët e përshtatshme përpara se ta vendosni në furrë.
58. Sipërfaqja e ngrohtë, lëreni të ftohet përpara se ta mbyllnimbulesë.
59. **KUJDES: Nëse xhami i sobës është thyer, fikni menjëherë elementin ngrohës dhe shkëputeni pajisjen nga burimi i energjisë, mos prekni sipërfaqen e pajisjes dhe mos e përdorni pajisjen.**

## Siguria elektrike

1. Prizëpajisja në një prizë të tokëzuar e mbrojtur nga një siguresë që korrespondon me vlerat e treguara në tabelën e specifikimeve teknike.
2. Kërkoni një elektrikist të licencuar të instalojë tokëziminpajisje. Kompania jonë nuk do të jetë përgjegjëse për dëmet e shkaktuara nga përdorimi i produktit pa tokëzim sipas rregulloreve lokale.
3. Ndërprerësit e furrës duhet të vendosen në mënyrë që përdoruesi përfundimtar t'i arrijë kur është instaluar një furrë.
4. Kordoni i rrymës (kordoni prizë) nuk duhet të bjerë në kontakt me pjesët e nxehta të pajisjes.
5. Nëse kordoni i rrymës (kordoni i prizës) është i dëmtuar, ky kablo duhet të zëvendësohetnga prodhuesi ose agjenti i tij i shërbimit ose personel po aq të kualifikuar për të parandaluar një situatë të rrezikshme.
6. Asnjëherë mos e lani produktin duke e spërkatur ose hedhur ujë mbi të! Ekziston rreziku i goditjes elektrike.
7. **PARALAJMËRIM:** Për të shmangur goditjen elektrike, sigurohuni që qarku të jetë i hapur

përpara se të ndërroni llambën.

8. PARALAJMËRIM: Shkëputni të gjitha lidhjet e qarkut të energjisë përpara se të përdorni terminalin.
9. PARALAJMËRIM: Nëse sipërfaqja është plasaritur, fiken pajsijen për të shmangur rrezikun e goditjes elektrike.
10. Mos përdorni korda të prera ose të dëmtuara ose kordona zgjatuesetela të ndryshëm nga kabloja origjinale.
11. Sigurohuni që të mos ketë lëng ose lagështi në prizën ku është instaluar spina e produktit.
12. Sipërfaqja e pasme e furrës nxeht gjithashtu kur furra është në përdorim. Lidhësit elektrikë nuk duhet të prekin sipërfaqen e pasme, përndryshe lidhësit mund të dëmtohen.
13. Mos i tendosni kabllo lidhësete dera e furrës dhe mos i kaloni mbi sipërfaqe të nxehta. Nëse kabloja shkrihet, mund të shkaktojë një qark të shkurtër në furrë dhe madje edhe zjarr.
14. Shkëputeni pajsijen nga furnizimi me energji elektrike gjatë instalimit, mirëmbajtjes, pastrimit dhe riparimit.
15. Nëse kordoni i rrymës është i dëmtuar, duhet të zëvendësohet nga prodhuesi i tij ose i autorizuar shërbimi teknik ose çdo personel tjetër i kualifikuar në të njëjtin nivel, për të shmangur çdo rreziksituate.
16. Sigurohuni që spina të jetë futur fort në prizën e murit për të shmangur shkëndijat.
17. Mos përdorni pastrues me avull për pastrimpajsijen, përndryshe mund të ndodhë një goditje elektrike.
18. Ndërprerës omnipolar i aftë përfikja e energjisë kërkohet për instalim. Shkëputja nga furnizimi me energji elektrike duhet të sigurohet nga një ndërprerës ose siguresë e integruar e instaluar në furnizimin me energji fikse sipas kodit të ndërtimit.
19. Lidhjet fikse duhet të lidhentë furnizimit me energji elektrike që mundëson shkycjen omnipolare. Për pajsijet me një kategori mbitesioni nën III, pajsija e fikjes duhet të lidhet me një furnizim fiks sipas kodit të lidhjes.

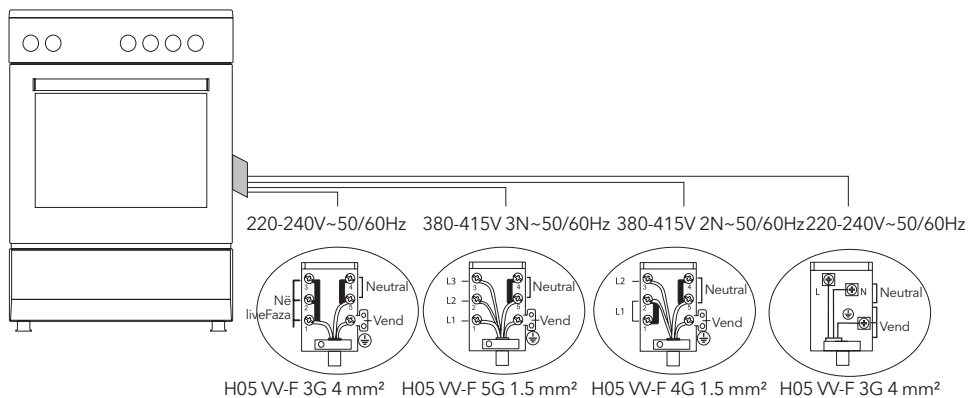
## Përdorimi i caktuar

1. Ky produkt është projektuar për përdorim shtëpiak. Nuk lejohet përdorimi komercial.
2. Kjo pajisje mund të përdoret vetëm për gatimqëllymet. Nuk duhet të përdoret për qëllime të tjera si ngrohja e dhomës.
3. Kjo pajisje nuk duhet të përdoret për ngrohjen e pllakave nën skarë, për tharjen e rrobave ose peshqirëvebashkjojnë ato në dorezë ose për ngrohje.
4. Prodhuesi nuk mban asnjë përgjegjësi për ndonjë dëmtim për shkak të keqpërdorimit ose keqpërdorimit.
5. Pjesa e furrës së pajisjes mund të përdoret për shkrijen, pjekjen, skuqjen dhe pjekjen e ushqimeve.

## Lidhje elektrike

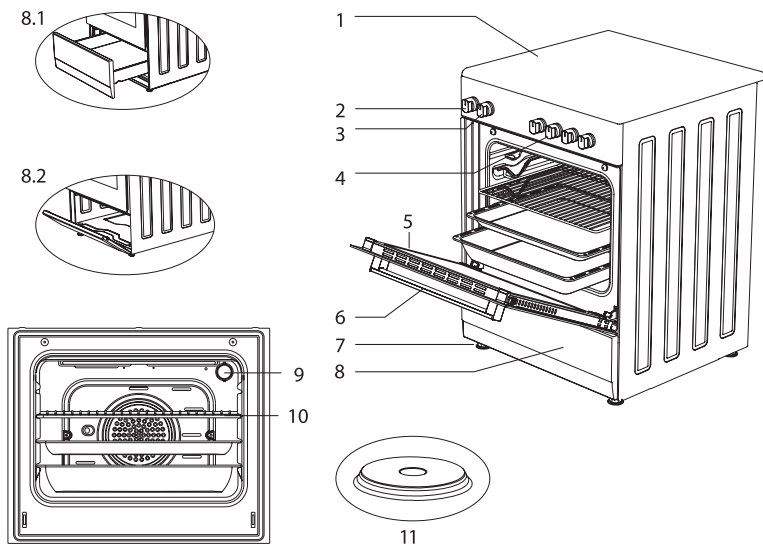
1. Furra juaj kërkon një siguresë 40 amper për njëfazore ose 3x16 amp për fuqi 3fazore sipasenergji elektrike për pjesën e sobës ka 4 ngrohës qeramike dhe pjesa e furrës ka modele elektrike. Instalimi nga një electricist i kualifikuar është i detyrueshëm.
2. Furra juaj është rregulluar sipas 220-240V / 380-415V AC, 50/60Hz. furnizimi me energji elektrike. Nëse rrjeti elektrik ndryshon nga kjo vlerë e specifikuar, kontakti shërbimin tuaj të autorizuar.
3. Lidhja elektrike e furrës duhet të bëhet vetëm me prizat/prizat mesistemi i tokëzimit i instaluar në përputhje me lokale rregulloret. Nëse nuk ka prizat/priza me sistem tokëzimi në vendin ku do të instalohet furra, kontakti menjëherë një të kualifikuar electricist për të instaluar. Prodhuesi nuk është përgjegjës për dëmtimet që ndodhin për shkak se pajisja nuk është e lidhur me tokëzimsistemi.
4. Nëse kordoni juaj i rrymës dëmtuar, ai duhet të zëvendësohet nga një servises i autorizuar ose electricist i kualifikuar për të shmangur rrezikun ose goditjen elektrike.
5. Kabloja elektrike nuk duhet të prekë pjesët e nxehta të pajisjes.
6. Futni furrën në një atmosferë të thatë.
7. Kur e vendosni furrën në vendin e saj, kontrolloni nëse është në nivelin e banakut. Ngrini atë në nivelin e banakut duke rregulluar këmbët nëse është e nevojshme.

## Diagrami i lidhjes elektrike



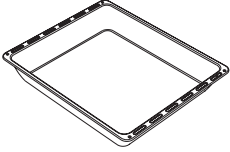
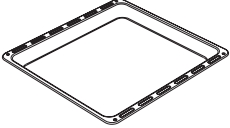
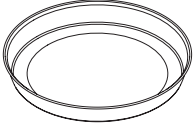
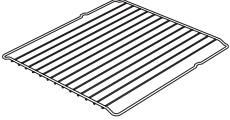
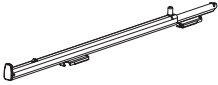
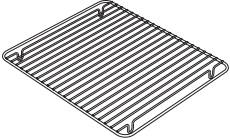
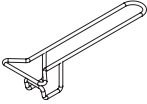
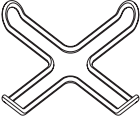
## HYRJA E APPARATIT

Modelet: CS5400SW, CS6400SW, CS5400SX, CS6400SX



1. Pllakë e sipërme qelqi
2. Doreza e termostatit
3. Butoni i kontrollit të furrës
4. Rregullatorë për pllakat vitroqeramike
5. Dera e furrës
6. Doreza
7. Këmbë plastike
8. Dera e poshtme e kabinetit
  - 8.1. Një sirtar
  - 8.2. Derë e palosshme
9. Një llambë
10. Barbeque
11. Pllakë e nxehtë (145 mm ose 185 mm)

## Aksesorë

	<p><b>Tabaka e thellë*</b> Përdoret për pasta, pjekje të mëdha, ushqim me ujë. Mund të përdoret gjithashtu si enë për mbledhjen e vajit nëse piqet direkt në skarë me kek, ushqim të ngrirë dhe mishushqimi.</p>
	<p><b>Tabaka / tabaka qelqi*</b> Përdoret për pasta (biskota, biskota, etj.), ushqime të ngrira.</p>
	<p><b>Tabaka e rrumbullakët*</b> Përdoret për pasta të ngrira.</p>
	<p><b>Grilë me tela</b> Përdoret për pjekjen ose vendosjen e ushqimeve në furrë, të pjekura dhe të ngrira në raftin e dëshiruar.</p>
	<p><b>Hekurudha teleskopike*</b> Tabaka dhe raftet e telit mund të hiqen dhe instalohen lehtësisht falë teleskopitbinarët.</p>
	<p><b>Grilë me tela në sirtar*</b> Ushqimet që duhet të ngjiten gjatë gatimit, si bifteku, vendosen në skarë. Ashtu si kjo kontakti i ushqimit me tabaka dhe ngjitja parandalohen.</p>
	<p><b>Doreza e sirtarit*</b> Përdoret për të mbajtur tabaka të nxehta..</p>
	<p><b>Njësia mbështetëse e tenxhereve të kafesë *</b> Mund të përdoret për një kafene.</p>

## Karakteristikat teknike të furrës suaj

Specifikimet	50x55	50x60	60x60
Gjerësia e jashtme	500 mm	500 mm	600 mm
Thellësia e jashtme	565 mm	630 mm	630 mm
Lartësia e jashtme	855 mm	855 mm	855 mm
Fuqia e llambës	15-25 W		
Ngrohës i poshtëm	1000 W	1000 W	1200 W
Elementi i sipërm i ngrohjes	800 W	800 W	1000 W
Ngrohës turbo	-----	1800 W	2200 W
Ngrohës në skarë	1500 W	1500 W	2000 W
Tensioni i furnizimit	220-240V AC/380-415V AC 50/60 Hz		
Pllakë ngrohje 145 mm *	1000 W		
Pllakë ngrohëse 180 mm *	1500 W		
Pllakë e shpejtë e nxehtë 145 mm *	1500 W		
Pllakë e shpejtë e nxehtë 180 mm *	2000 W		



### PARALAJMËRIM!

- **PARALAJMËRIM:** Për ta bërë ndryshimin të autorizuarshërbimi, kjo tabelë duhet të merret parasysh. Prodhuesi nuk mund të mbajë përgjegjësi për ndonjë problem që lind për shkak të ndonjë modifikimi të gabuar.
- **PARALAJMËRIM:** Për të rritur cilësinë e produktit, specifikimet teknike mund të ndryshohen pa njoftim parapraknjoftim.
- **PARALAJMËRIM:** Vlerat e dhëna me pajisjen ose dokumentet shoqëruese të saj janë lexime laboratorikenë përputhje me standardet përkatëse. Këto vlera mund të ndryshojnë në varësi të përdorimit dhe mjedisitKushtet.

# VENDOSJA E JASTËKUT TUAJ

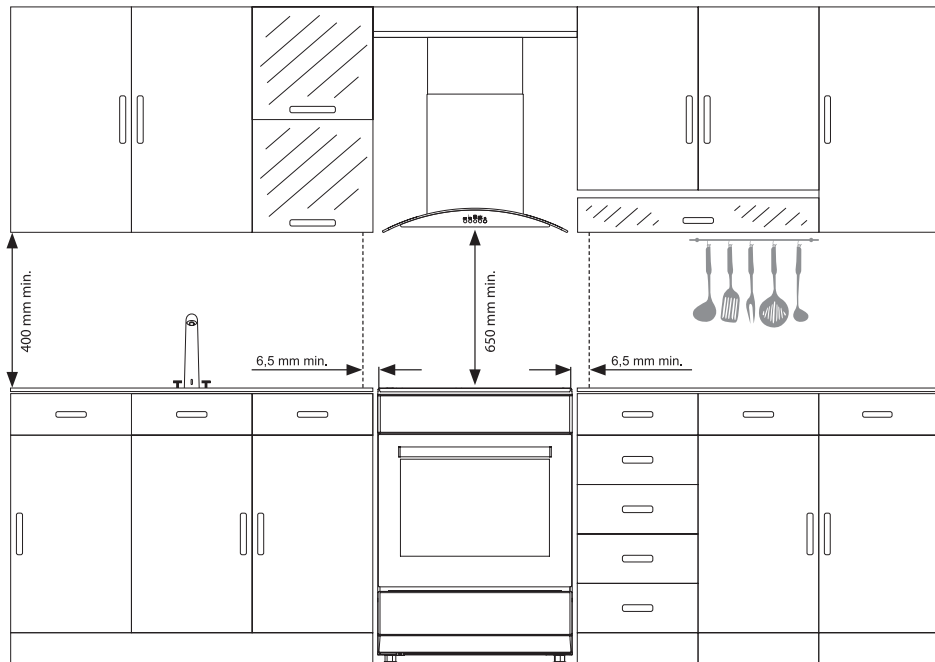
Kontrolloni që instalimi elektrik të jetë i përshtatshëm për ta sjellë pajisjen në gjendje pune. Nëse instalimi elektrik nuk është adekuat, telefononi një elektrikist dhe hidraulik për të rregulluar shërbimet sipas nevojës. Prodhuesi nuk do të jetë përgjegjës për dëmtimetshkaktuar nga operacionet e kryera nga persona të paautorizuar.

## ⚠️ PARALAJMËRIM!

- **PARALAJMËRIM:** Është përgjegjësi e blerësit të përgatisë vendndodhjen ku do të vendoset produkti dhe për të përgatitur instalimin elektrik.
- **PARALAJMËRIM:** Gjatë prodhimit duhet të respektohen rregullat në standardet lokale të instalimeve elektrikeinstalimi.
- **PARALAJMËRIM:** : Kontrolloni pajisjen për dëmtime përpara se ta instaloni. Mos e keni produktininstalohet nëse dëmtohet. Produktet e dëmtuara paraqesin rrezik për sigurinë tuaj.

## Vendndodhja e saktë e instalimit dhe paralajmërime të rëndësishme

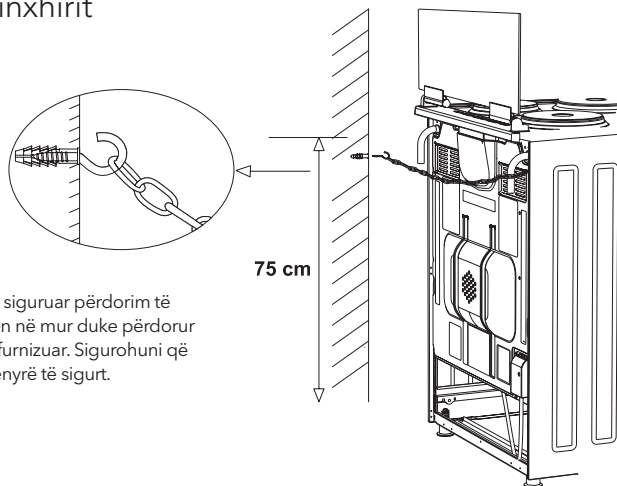
- Këmbët e pajisjes nuk duhet të qëndrojnë në sipërfaqe të buta si qilima. Dyshejema në kuzhinë duhet të jetë e qëndrueshme për t'u veshurpeshë njësi dhe çdo vegël tjetër që mund të përdoret në furrë.
- Pajisja duhet të përdoret me një distancë minimale prej 400 mm mbi sipërfaqet e sipërme të pllakës së gatimit dhe 65 mm nga sipërfaqet anësore të mobiljeve të kuzhinës.
- Pajisja është e përshtatshme për t'u përdorur në të dy muret anësore, pa asnjë mbështetje ose pa u ndërtuar në dollap. Nëse mbi sobë do të instalohet një kapuç ose një kapuç, ndiqni udhëzimet e prodhuesit për lartësinë emontimi. (min. 650 mm)



## ⚠️ PARALAJMËRIM!

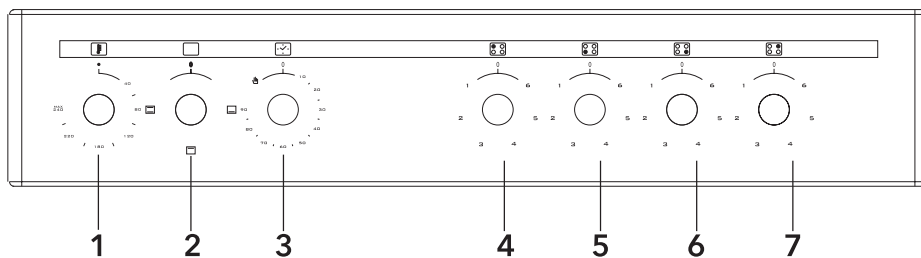
- **PARALAJMËRIM:** Mobiljet e kuzhinës pranë pajisjes duhet të jenë rezistente ndaj nxehtësisë.
- **PARALAJMËRIM:** Mos e instaloni pajisjen pranë frigoriferëve ose ngrirësve. Rrezatoji ngrohtësinga ana e pajisjes rrit konsumin e energjisë së pajisjeve ftohëse.
- **PARALAJMËRIM:** Mos përdorni derën dhe/ose dorezën për të mbajtur ose lëvizur pajisjen.

## Ilustrimi i lidhjes së zinxhirit



Përpara përdorimit të pajisjes, për të siguruar përdorim të sigurt, sigurohuni që ta fiksoni pajisjen në mur duke përdorur zinxhirin dhe vidë e bashkangjitur e furnizuar. Sigurohuni që grepa të jetë e vidhosur murin në mënyrë të sigurt.

## PANELI I KONTROLLIT

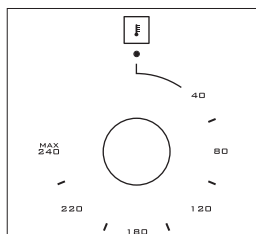


1. Termostat
2. Butoni i zgjedhjes së funksionit
3. Timer mekanik \*
4. Ngrohës elektrik i pasëm majtas
5. Ngrohës elektrik përpara majtas
6. Ngrohës Elektrik Para Djathtas
7. Ngrohës elektrik i pasëm djathtas



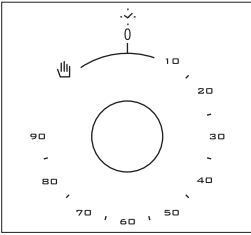
### PARALAJMËRIM!

Paneli i mësipërm është vetëm për ilustrim. Konsideroni pultin e përfshirëpajisjen tuaj.



**Termostat:** Përdoret për të përcaktuar temperaturën e gatimit të gatujeni gjellën në furrë. Pasi të keni futur ushqimin brenda në furrë, rrotulloni çelësin për të rregulluar temperaturën e dëshiruar midis 40-240 °C. Për temperaturat e gatimit të ushqimeve të ndryshme, shihni tabelën e gatimit.





**Kohëmatësi mekanik\*:** Përdoret për të përcaktuar periudhën e gatimit në furrën. Kur skadon koha e rregulluar, rryma e ngrohësve fiket dhe lëshohet një sinjal paralajmërues zanor. Një kohëmatës mekanik mund për t'u përshtatur në periudhën e dëshiruar midis 0-90 minutave. Për kohën e gatimit, shihni grafikët e gatimit.

## PËRDORIMI I PJESËS JASTETI

### Përdorimi i elementeve të ngrohjes së furrës

1. Kur furra juaj ndizet për herë të parë, do të lëshohet një erë që do të shfaqet nga përdorimi i elementeve ngrohëse. Për të hequr qafe këtë, vraponi në 240°C për 45-60 minuta ndërsa është bosh.
2. Duhet të vendoset çelësi i kontrollit të furrës në vlerën e dëshiruar; përndryshe furra nuk funksionon.
3. Llojet e vakteve, koha e gatimit dhe pozicionet e termostatit janë dhënë në tabelën e gatimit. Vlerat e dhëna në tabelën e gatimit janë vlera karakteristike dhe janë marrë si rezultat i analizave të kryera në laboratorin tonë. Mund të gjeni shije të ndryshme të përshtatshme për shijen tuaj në varësi të zakoneve tuaja të gatimit dhe përdorimit.
4. Me ndihmën e aksesorëve mund të bëni një pulë që kthehet në furrë.
5. Koha e gatimit: Rezultatet mund të ndryshojnë në varësi të tensionit sipërfaqësor dhe materialit me cilësi të ndryshme, sasia dhe temperaturat.
6. Gjatë gatimit në furrë, kapaku i furrës nuk duhet të hapetshpesh. Përndryshe, qarkullimi i nxehtësisë mund të jetë i çekuilibruar dhe rezultatet mund të ndryshojnë.

### Përdorimi i skarës

1. Kur vendosni skarën në raftin e sipërm, ushqimi në skarë nuk do ta prekë skarën.
2. Mund të ngroheni për 5 minuta gjatë pjekjes. Nëse është e nevojshme, mund ta ktheni ushqimin me kokë poshtë.
3. Ushqimi duhet të jetë në qendër të skarës për të siguruar rrjedhjen maksimale të ajrit nëpër furrë.

#### **Për të ndezur skarën;**

1. Vendoseni tastin e funksionit mbi simbolin e skarës.
2. Më pas, vendoseni në temperaturën e dëshiruar të skarës.

#### **Për të fikur grilën;**

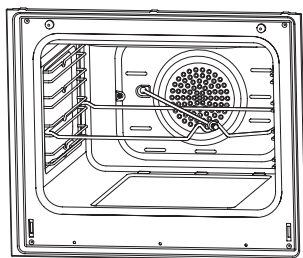
Vendoseni tastin e funksionit në pozicionin e fikur.



**PARALAJMËRIM!**

Mbajeni derën e furrës të mbyllur gjatë gatimit. (skarë elektrike)

## Përdorimi i pulës së pjekur \*



Vendosni pështymë në kornizë. Kthejeni kornizën e pështymës në furrë në nivelin e dëshiruar. Gjeni një tigan që pikon nga fundi nëmbledh postimin. Shtoni pak ujë në tiganin pikues për pastrim të lehtë. Mos harroni të hiqni pjesën plastike nga hell. Pas pjekjes, vidhosni dorezën plastike në hell dhe hiqni ushqimin nga furra.

## Përdorimi i pllakave

	Niveli 1	Niveli 2	Niveli 3	Niveli 4	Niveli 5	Niveli 6
80 mm	200 W	250 W	450 W	---	---	---
145 mm	250 W	750 W	1000 W	---	---	---
180 mm	500 W	750 W	1500 W	---	---	---
145 mm i shpejtë	500 W	1000 W	1500 W	---	---	---
i shpejtë 180 mm	850 W	1150 W	2000 W	---	---	---
145 mm	95 W	155 W	250 W	400 W	750 W	1000 W
180 mm	115 W	175 W	250 W	600 W	850 W	1500 W
145 mm i shpejtë	135 W	165 W	250 W	500 W	750 W	1500 W
i shpejtë 180 mm	175 W	220 W	300 W	850 W	1150 W	2000 W
220 mm	220 W	350 W	560 W	910 W	1460 W	2000 W

1. Pllakat elektrike kanë 6 nivele standarde të temperaturës. (siç përkruhet këtu më lart)
2. Kur përdorni për herë të parë, vini në punë pianurën elektrike në pozicionin 6 për 5 minuta. Kjo do të bëjë që agjenti të vazhdojë Pllaka juaj e ndjeshme ndaj nxehtësisë ngurtësohet duke u djegur.
3. Përdorni tiganët me fund të sheshtë që vijnë në kontakt të plotë me nxehtësinë sa më shumë që të mundeni, në mënyrë që t'i përdorni energji më produktive.



### PARALAJMËRIM!

Me përdorimin intensiv të pajisjes, unazat në pllakë dhe në zonën përreth mund të ndryshojnë ngjyrë. Ndërhyrjet e shërbimit në atë rast nuk mbulojnë nga garancia.



Correct



Incorrect



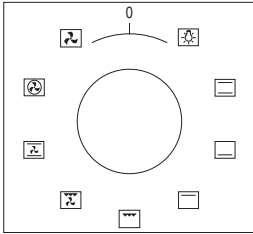
Incorrect



Incorrect

# LLOJET E PROGRAMEVE

Modelet: CS5400SW, CS6400SW, CS5400SX, CS6400SX



**Çelësi i funksionit:** Përdoret për të përcaktuar elementët ngrohës që do të përdoren për gatim gatuajeni gjellën në furrë. Llojet e programeve të ngrohësve në këtë buton dhe funksionet e tyre përshkruhen më poshtë. Të gjitha llojet e ngrohësve dhe llojet e programeve i përbërë nga këto ngrohës mund të mos jetë i disponueshëm në të gjitha modelet.

	Duke u kthyer		Tifoz
	Ngrohës i sipërm + i poshtëm		Ngrohje turbo + ventilator
	Një llambë		Fund + Elemente ngrohëse të sipërme + Ventilator
	Ngrohës i poshtëm+ Ventilator		Ngrohës Grill + Ventilator
	Ngrohës në skarë		Grill Grill / Ngrohës Grill
	Ngrohës grill+Llambë		Elementi i sipërm i ngrohjes
	Kohëmatësi elektrik		Djegësi i furrës / Ngrohës i poshtëm



## PARALAJMËRIM!

Të gjitha llojet e ngrohësve dhe llojet e programeve që përfshijnë këta ngrohës mund të mos jenë fare të disponueshëm modele.

# MONTIMI I DERËS SË JASTEKIT

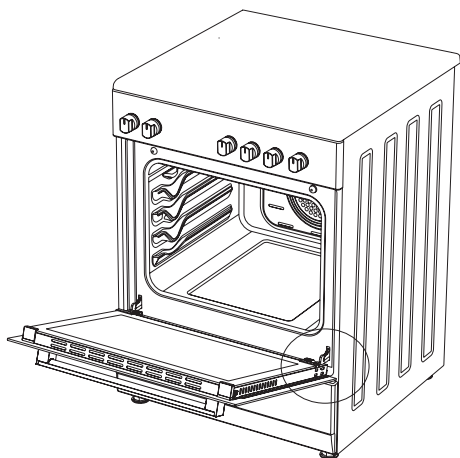


Figura 1

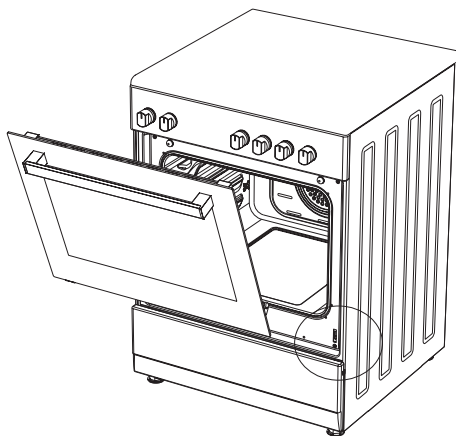


Figura 2

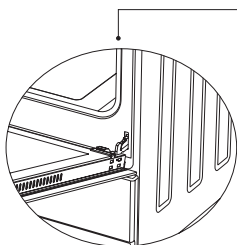


Figura 1.1

Plotësishthapni derën e furrës duke e tërhequr drejt djathtë. Më pas, kryeni procesin e zhbllokimit duke e tërhequr bllokimin e menteshës lart duke përdorur një kaçavidë siç tregohet në figurën 1.1.

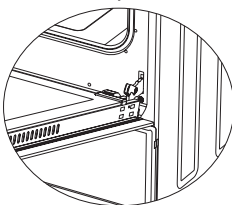


Figura 1.2

Sillni atëKycja e menteshës në këndin më të gjerë siç tregohet në figurën 1.2. Sillni dy menteshat që lidhin derën e furrës me furrën në të njëjtin pozicion.

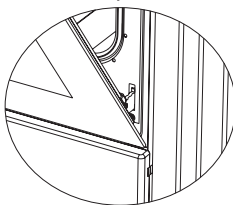


Figura 2.1

Pastaj mbylleenidëra e furrës të mbështetet në bllokimin e menteshës siç tregohet në figurën 2.1.

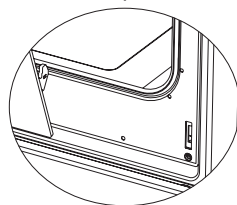


Figura 2.2

Për të hequr furrënderën, tërhiqeni lart duke e mbajtur me të dyja duart kur është afër pozicionit të mbyllur siç tregohet në figurën 2.2.

Për të zëvendësuar derën e furrës, ndërroni hapat e mësipërm.

## Pastrimi dhe mirëmbajtja e xhamit të derës së furrës

Hiqni profilin duke shtypur shulat plastike në anën e majtë dhe të djathtë siç tregohet në figurën 3 dhe tërhiqeni profilin drejt jush siç tregohet në figurën 4. Më pas hiqni xhamin e brendshëm siç tregohet në figurën 5. Nëse është e nevojshme, xhami i mesit mund të hiqet në të njëjtën mënyrë. Pasi të ketë përfunduar pastrimi dhe mirëmbajtja, riparohenisytet dhe profilin në rend të kundërt. Sigurohuni që profili të jetë në vend të duhur.

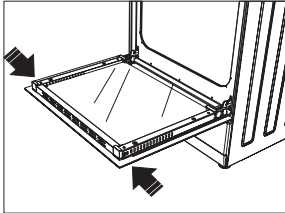


Figura 3

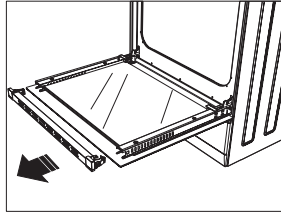


Figura 4

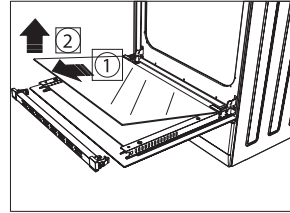


Figura 5

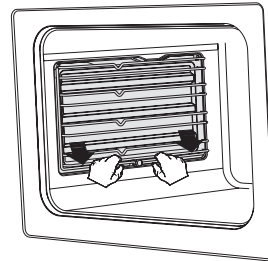
### Muret katalitike\*

Muret katalitike janë të vendosura në anën e majtë dhe të djathtë të zgavrës nën udhëzuesit. Muret katalitike heqin aromën e keqe dhe marrin performancën më të mirësobë. Muret katalitike gjithashtu thithin mbetjet e vajit dhe pastrojnë furrën tuaj ndërsa ajo është në punë.

### Heqja e mureve katalitike

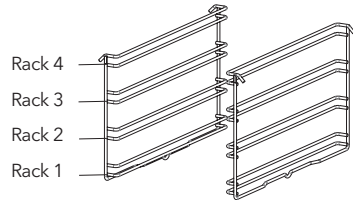
Për të hequr muret katalitike; udhëzuesit duhet të tërhiqenjashtë. Sapo të nxirren udhëzuesit, muret katalitike do të lëshohen automatikisht. Muret katalitike duhet të ndërrohen pas 2-3 vjetësh.

Figura 6



### Pozicionet e rrjetit

Është e rëndësishme të vendosni saktë skarën me tela në furrë. Mos lejoni që rafti i telit të prekë murin e pasmë të furrës. Pozicionet e rafteve tregohen në figurën e mëposhtme. Mund të vendosni një sirtar të thellë ose një sirtar standard në raftet e poshtme dhe të sipërme të telit.



### Instalimi dhe heqja e rafteve me tela

Për të hequr raftet e telit, shtypni kapëset e treguara nga shigjetat në figurë, së pari hiqni anën e poshtme, pastaj anën e sipërme nga vendi i instalimit. Për të instaluar raftet me tela; anuloni procedurën për heqjen e tringut.

### Ndërrimi i llambës në furrë

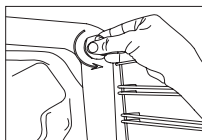
#### ⚠ PARALAJMËRIM!

Për të shmangur goditjen elektrike, sigurohuni që qarku i pajisjes të jetë i hapur përpara se të ndërtoni llambën. (Nëse qarku është i hapur do të thotë se ryma është e fikur) Fillimisht hiqeni pajisjen nga prizat dhe sigurohuni që pajisja të jetë e ftohtë.

Hiqni mbrojtjen e xhamit duke e rotulluar siç tregohet në figurën në të majtë. Nëse keni vështirësi të ktheheni, atëherë përdorimi i dorezave plastike do t'ju ndihmojë në kthim.

Pastaj hiqni llambën duke e kthyer, instaloni llambën e re me tëspecifikimet.

Riinstaloni mbrojtjen e xhamit, futni kordonin elektrik të pajisjes në një prizë elektrike dhe zëvendësojeni plotësisht. Tani mund të përdorni furrën tuaj.

**Lloji G9Lloji i llambës**

220-240 V, AC 15-25 W

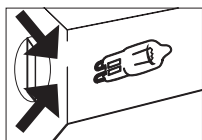


Figura 7

**Llamba E14**

220-240 V, AC 15 W



Figura 8

**Përdorimi i fletës së skarës së grilës \***

1. Paneli i sigurisë është projektuar për të mbrojtur panelin e kontrollit dhe butonat kur furra është në modalitetin grill. (foto 9)
2. Ju lutemi përdorni këtë panel sigurie për të shmangur dëmtimin nga nxehtësia në panelin e kontrollit dhe butonat e furrësëshhtë modaliteti i skarës.

**PARALAJMËRIM!**

Pjesët e aksesueshme mund të jenë të nxehta kur grila është në përdorim. Fëmijët e vegjël duhet të qëndrojnë larg.

3. Vendoseni panelin e sigurisë nën panelin e kontrollit duke hapur xhamin e kapakut të përpamë të furrës. (foto 10)
4. Dhe më pas lidhni pllakën e sigurisë midis furrës dhe kapakut të përpamë duke mbyllur butësisht kapakun. (foto 11)
5. Është e rëndësishme që gjatë gatimit ta mbani kapakun të hapur në një distancë të caktuar kur gatuar në modalitetin grill.
6. Paneli i sigurisë do të sigurojë kushte ideale gatimi duke mbrojtur panelin e kontrollit dhe butonat.

**PARALAJMËRIM!**

Nëse soba ka opsionin e "funksionit të skarës së mbyllur" me termostat, mund ta mbani të mbyllur derën e furrës gjatë operacionit; në këtë rast fleta e deflektorit të skarës do të jetë e panevojshme.

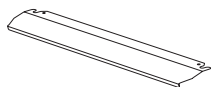


Figura 9

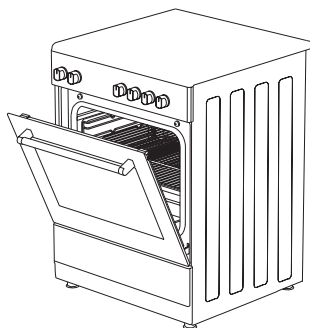


Figura 10

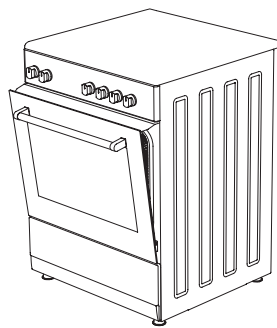


Figura 11

# ZGJIDHJA E PROBLEMEVE

Ju mund t'i zgjidhni problemet që mund të kenë me produktin tuaj duke kontrolluar pikat e mëposhtme përpara se të telefononishërbimin teknik.

## Kontrolloni pikat

Në rast se kenë një problem me furrën tuaj, së pari kontrolloni tabelën e mëposhtme dhe provoni sugjerimet.

Një problem	Një arsye e mundshme	Çfarë duhet bërë
Furra nuk punon.	Energjia nuk është e disponueshme.	Kontrolloni për fuqi.
Furra ndalon gjatë gatimit.	Spina del nga muriprizë.	Riinstaloni plug-inprizë.
Fiket gjatë gatimit.	Funksionim shumë i gjatë i vazhdueshëm.	Lëri furrën të ftohet pas cikleve të gjata të gatimit.
	Më shumë se një prizë në një prizë muri.	Përdorni vetëm njëprizë për çdo prizë në mur.
Dera e furrës nuk hapet siç duhet.	Mbetjet e ushqimit janë ngecur në mesdera dhe zgavra e brendshme.	Pastrojeni mirë furrën dhe provoni ta hapni sërishdera.
Goditje elektrike gjatë prekjesfurre.	Nuk ka tokëzim të duhur.	Kontrolloni që furnizimi me energji elektrike të jetë i tokëzuar siç duhet.
	Një mur i pabazuarpërdoret një prizë.	
Uji po pikon.	Uji ose avulli mund të krijohet në kushte të caktuara në varësi të ushqimit që gatuhet. Ky nuk është faji i tijpajisja.	Lëri furrënftoheni dhe më pas fshijeni me një peshqir enësh.
Avulli delçarje e derës së furrës.		
Uji i mbetur në furrë.		
Tymi del gjatëoperacion.	Gjatë përdorimit të furrëspër herë të parë	Nga ngrohëset po del tym. Ky nuk është një gabim. Pas 2-3 cikleve, nuk do të ketë më tym.
	Ushqimi në një ngrohës.	Lehtë të ftohur furrën dhe për të pastruar mbetjet e ushqimit nga ngrohësi.
Kurpërdorimi i furrës së djegur ose plastika lëshon një erë.	Në furrë përdoren pajisje plastike ose pajisje të tjera jo-rezistente ndaj nxehtësisë.	Në temperatura të larta, përdorni aksesore të përshtatshëm për enë qelqi.
Furranuk nxehet.	Dera e furrës është e hapur.	Mbyllni derën dhe rindizni.
	Kontrollet e furrës nuk funksionojnë siç duhetpër personalizuar.	Lexoni seksionin rrethfunksionimi i furrës dhe rivendosja e furrës.
	Siguresa është e fikur ose ndërprerësi është i fikur.	Zëvendësoni siguresën ose rivendosni ndërprerësin. Nëse kjo ndodh shpesh, telefononi një elektrikist.
Furra nuk po gatuhet mirë.	Dera e furrës shpesh hapet gjatë gatimit.	Moshapni shpesh derën e furrës nëse ushqimi që po gatuhet nuk kërkon rrotullim. Nëse e hapni shpesh derën, temperatura e brendshme bie dhe për këtë arsye do të ndikojë në rezultatin e gatimit.

Një problem	Një arsye e mundshme	Çfarë duhet bërë
Drita e brendshme është e zbehtë ose joAta punojnë.	Objekt i huaj që mbulon llambën gjatë gatimit.	Pastroni pjesën e brendshme të furrës dhe kontrolloni përsëri.
	Llamba mund të dështojë.	Zëvendësoni me një llambë me të njëjtënspecifikimet.

## RREGULLAT E TRAJTIMIT

1. Mos përdorni derën dhe/ose dorezën për mbajtje ose lëvizjepajisja.
2. Lëvizni dhe transportoni në paketimin origjinal.
3. Kushtojini vëmendje maksimale pajisjes kur ngarkoni/shkarkoni dhe përdorni.
4. Sigurohuni që paketa të jetë e mbyllur mirë gjatë trajtimit dhe transportit.
5. Mbroni atë nga faktorë të jashtëm (të tillë si lagështia, uji, etj.) që mund të dëmtojnë paketimin.
6. Kini kujdes që të mos e dëmtoni pajisjen për shkak të goditjeve, goditjeve, rënieve, etj. gjatë trajtimit dhe transportit dhe të mos thyhet apo deformohet gjatë funksionimit.

## REKOMANDIME PËR KURSIM TË ENERGJISË

Detajet e mëposhtme do t'ju ndihmojnë të përdorni produktin tuaj në aspektin mjedisor dhe ekonomik.

1. Përdorni enët me ngjyrë të errët dhe të emaluar që përçojnë nxehtësinë më mirë në furrë.
2. Gjatë gatimit të ushqimit, nëse receta ose manuali i udhëzimeve tregojnë se kërkohet ngrohja paraprake, ngrohjeni paraprakishtfurë.
3. Mos e hapni furrënderën shpesh gjatë gatimit.
4. Mundohuni të mos gatvani disa pjata në furrë në të njëjtën kohë. Mund të gatvani në të njëjtën kohë duke vendosur dysoba në raft.
5. Gatvani shumë pjata me radhë. Furra nuk do të humbasë nxehtësinë.
6. Fikni furrën disa minuta para përfundimit të kohës së gatimit. Në këtë rast, mos e hapni derën e furrës.
7. Shkrini ushqimet e ngrira para gatimit.

## HEQJA MIQ ME MJEDISIN



Hidhni paketimin në një mënyrë miqësore me mjedisin.

Kjo pajisje është e shënuar në përputhje me Direktivën Evropiane 2012/19/EU mbipajisjet elektrike dhe elektronike të përdorura (mbeturinat e pajisjeve elektrike dhe elektronike - WEEE). Udhëzimi përcakton kuadrin për kthimin dhe riciklimin e pajisjeve të përdorura siç është e zbatueshme në BE.

## INFORMACION PËR PAKETË

Materialet e paketimit të produktit janë prodhuar nga materiale që mund të riciklohen në përputhje me rregulloret tona kombëtare mjedisore. Mos i hidhni materialet e paketimit me sende shtëpiake ose të tjerambeturina. Çojini ato në pika grumbullimi për materialet e paketimit të përcaktuara nga autoritetet lokale.



Dragi korisniče,

Preporučujemo da pažljivo pročitate korisničko uputstvo prije upotrebe proizvoda i da ga uvijek držite pri ruci.

## NAPOMENA

Ovo uputstvo za upotrebu predviđeno je za više modela. Neke od navedenih karakteristika možda neće biti dostupne za vaš uređaj.

Svi naši uređaji namijenjeni su samo za kućnu upotrebu i nijesu prikladni za komercijalnu upotrebu.

Proizvodi označeni zvjezdicom (\*) su opcioni.

## U skladu sa propisima o odlaganju električnog i elektronskog otpada.

# VAŽNA UPOZORENJA

- Instalaciju i popravku uvijek treba da obavlja **OVLAŠĆENI SERVIS**. Proizvođač nije odgovoran za radove koje su obavila neovlašćena lica.
- Pažljivo pročitate uputstvo za upotrebu. Samo tako možete koristiti uređaj na bezbjedan i pravilan način.
- Šporetom je neophodno rukovati u skladu s uputstvom za upotrebu.
- Udaljite djecu mlađu od 8 godina i kućne ljubimce od šporeta, kada je uključen.
- UPOZORENJE: Dostupni djelovi mogu biti vrući tokom korišćenja grila. Držati van domašaja djece.**
- UPOZORENJE: Opasnost od požara; ne odlažite predmete na ploču za kuvanje.**
- UPOZORENJE: Uređaj i dostupni djelovi se zagrijavaju tokom rada.**
- Uslovi instalacije ovog uređaja navedeni su na etiketi (ili na pločici sa podacima).
- Dostupni djelovi se zagrijavaju prilikom korišćenja grila. Držati van domašaja djece.
- UPOZORENJE: Ovaj uređaj je namijenjen za kuvanje. Ne smije se koristiti za druge namjene, kao što je grijanje prostorije.**
- Za čišćenje uređaja nemojte koristiti paročistače.
- Provjerite da li su vrata rerne potpuno zatvorena nakon što stavite hranu u nju.
- NIKADA nemojte pokušavati da vodom ugasite vatru. Samo isključite napajanje uređaja i prekrijte plamen poklopcem ili tkaninom otpornom na vatru.
- Ukoliko djeca mlađa od 8 godina nijesu pod stalnim nadzorom, držati ih van domašaja uređaja.
- Izbjegavajte dodirivanje grijača.
- OPREZ: Proces kuvanja treba nadgledati. Uvijek nadgledajte proces kuvanja!**
- Ovaj uređaj mogu koristiti djeca starija od 8 godina, osobe sa psihičkim, čulnim ili mentalnim problemima ili osobe sa nedostatkom iskustva i znanja, ukoliko se obezbijedi nadzor ili pruže informacije u vezi sa opasnostima.
- Ovaj uređaj je dizajniran isključivo za kućnu upotrebu.
- Djeca ne smeju da se igraju sa uređajem. Čišćenje ili održavanje uređaja ne smeju da obavljaju djeca, osim ako su starija od 8 godina i pod nadzorom odraslih.
- Uređaj i kabl za napajanje držite van domašaja djece mlađe od 8 godina.
- Zavjese, til, papir ili druge zapaljive materijale sklonite dalje od uređaja prije njegovog korišćenja. Ne stavljajte zapaljive materijale na uređaj ili unutar njega.
- Držite kanale za ventilaciju otvorene.
- Uređaj nije pogodan za korišćenje sa eksternim tajmerom ili posebnim sistemom za daljinsko upravljanje.
- Ne zagrijavajte zatvorene konzerve i staklene tegle. Pritisak može da dovede do eksplozije posude.
- Ručka na rerni nije predviđena za sušenje krpa. Nemojte kačiti krpe i slično na ručku za otvaranje/zatvaranje rerne.
- Plehove, tanjire ili aluminijumske folije ne postavljajte direktno na šporet. Akumulirana toplota može da ošteti kućište šporeta.
- Prilikom stavljanja ili vadenja hrane iz rerne obavezno koristite rukavice za rernu otporne na toplotu.
- Ne koristite proizvod kada ste pod uticajem određenih lijekova i/ili alkohola, jer to može uticati na vašu sposobnost rasuđivanja.
- Budite pažljivi kada koristite alkohol za pripremu hrane. Alkohol će ispariti na visokim temperaturama i može izazvati požar ako dođe u dodir sa vrućim površinama.
- Nakon svake upotrebe provjerite da li je uređaj isključen.
- Ako je uređaj neispravan ili ima vidljivo oštećenje, nemojte rukovati njime.

32. Ne dodirujte utikač mokrim rukama. Ne vucite kabl da biste ga isključili, uvijek pridržite utikač.
33. Nemojte koristiti uređaj sa skinutim ili polomljenim staklom prednjih vrata.
34. Stavite papir za pečenje zajedno sa hranom direktno u prethodno zagrijanu rernu ili na dodatak za rernu (pleh, gril, itd.).
35. Nemojte stavljati na uređaj predmete koje djeca mogu da dohvate.
36. Važno je da pravilno postavite gril-rešetku i pleh na žičane police i/ili da pravilno postavite pleh na policu. Postavite gril ili pleh između dvije šine i provjerite da li je stabilan prije nego što na njega stavite hranu.
37. Da biste izbjegli rizik od dodirivanja grijača rerne, uklonite suvišne djelove papira za pečenje koji vire iz dodatka za rernu ili posude.
38. Nikada nemojte koristiti višu temperaturu od maksimalne koja je navedena na pakovanju papira za pečenje. Ne postavljajte papir za pečenje na dno rerne.
39. Kada su vrata rerne otvorena, ne postavljajte teške predmete na njih i nemojte dozvoliti djeci da sjede na vratima. Možete izazvati prevrtanje šporeta ili oštećenje šarki na vratima.
40. Ambalažni materijali su opasni za djecu. Ambalažne materijale držite van domašaja djece.
41. Nemojte koristiti abrazivna sredstva ili oštre metalne žice za čišćenje stakla, jer ogrebotine koje se javljaju na površini stakla vrata mogu izazvati pucanje stakla.
42. Ne postavljajte uređaj na površine prekrivene tepisima. Električni dijelovi će se pregrijati uslijed nedostatka ventilacije sa donje strane. To će dovesti do kvara uređaja.
43. Nemojte udarati staklene površine vitrokeramičkih ploča metalnim predmetima, jer se tako mogu oštetiti. To može izazvati električni udar.
44. Korisnik ne smije samostalno da popravlja šporet.
45. Hrana može da se prospje u slučaju da se postolje šporeta demontira ili polomi, budite pažljivi. Može doći do fizičkih povreda.
46. Tokom upotrebe, unutrašnje i spoljašnje površine šporeta se zagrijavaju. Kada otvorite vrata rerne, pomjerite se korak unazad da biste izbjegli vruću paru koja izlazi iz pećnice. Postoji rizik od opekotina!
47. Poklopac šporeta može da se zatvori i onda posude sa ringle može da se prevrne. Zakoračite unazad da biste izbjegli da se izgorite na vruću hranu. Postoji rizik od opekotina!
48. Ne ostavljajte teške predmete na vratima rerne kada su otvorena, jer postoji rizik od prevrtanja.
49. Korisnik ne smije da skida grijače tokom čišćenja. To može izazvati električni udar.
50. Ne uklanjajte prekidače za paljenje sa uređaja. U suprotnom, možete pristupiti električnim kablovima pod naponom. To može izazvati električni udar.
51. Napajanje šporeta može se isključiti tokom bilo kakvih građevinskih radova u kući. Nakon završetka radova, ponovno povezivanje mora da obavi ovlašćeni servis.
52. Ne postavljajte metalno posuđe, kao što su nož, viljuška i kašika na površinu uređaja, jer će se i oni zagrijati.
53. Da biste spriječili pregrijavanje, uređaj ne smije biti instaliran iza dekorativne maske.
54. Isključite uređaj prije uklanjanja zaštitnih elemenata. Nakon čišćenja, instalirajte zaštitne elemente u skladu sa uputstvima.
55. Tačka pričvršćivanja kabla mora biti zaštićena.
56. **UPOZORENJE: Nemojte koristiti rernu i gorionike grila u isto vrijeme.**
57. Nemojte pripremati hranu direktno na plehu/žičanoj rešetki. Stavite hranu u ili na prikladnu posudu prije nego što je stavite u rernu.
58. Vrele površine ostavite da se ohlade prije nego što stavite poklopac.
59. **OPREZ: Ako je staklo na rerni razbijeno, odmah isključite sve grijače i aparat iz izvora napajanja, ne dodirujte površinu aparata i ne upotrebljavajte aparat.**

## Bezbjednost pod naponom

1. Uključite uređaj u uzemljenu utičnicu zaštićenu osiguračem u skladu sa vrijednostima navedenim u tabeli tehničkih specifikacija.
2. Neka ovlašćeni električar postavi opremu za uzemljenje. Naša kompanija neće biti odgovorna za oštećenja koja će nastati usled upotrebe proizvoda bez uzemljenja u skladu sa lokalnim propisima.
3. Prekidači osigurača se postavljaju tako da krajnji korisnik može doći do njih kada se šporet instalira.
4. Kabl za napajanje (kabl sa utikačem) ne smije da dođe u dodir sa vrućim djelovima uređaja.
5. Ukoliko je kabl za napajanje (kabl sa utikačem) oštećen, zamijenite ga proizvođač, ovlašćeni serviser ili kvalifikovano osoblje kako bi se spriječila situacije opasne po život.
6. Uređaj se ne smije čistiti prskanjem ili sipanjem vode na njega! Postoji rizik od električnog udara.

7. **UPOZORENJE: Da biste izbjegli električni udar, uvjerite se da je strujno kolo uređaja otvoreno prije zamjene lampice.**
8. **UPOZORENJE: Pre nego što pristupite terminalima, odvojte sve priključke kola za napajanje.**
9. **UPOZORENJE: Ukoliko je površina napukla, isključite uređaj da biste izbjegli opasnost od električnog udara.**
10. Nemojte koristiti prekinute ili oštećene kablove ili produžne kablove, osim originalnog kabla.
11. Uvjerite se da u utičnici, gdje je priključen uređaj, nema tečnosti ili vlage.
12. Površina zadnje strane šporeta takođe se zagrijava kada šporet radi. Električni priključci ne smiju da dodiruju površinu zadnje strane šporeta, jer se u suprotnom oni mogu oštetiti.
13. Ne zatežite kabl za povezivanje preko vrata rerne i ne sprovodite ga preko vrućih površina. Ako se kabl otopi, može doći do kratkog spoja, pa čak i do požara.
14. Isključite uređaj prilikom instalacije, održavanja, čišćenja i popravke.
15. Ako je kabl za napajanje oštećen, proizvođač ili serviser ili jednako kvalifikovano osoblje moraju zamijeniti takav kabl da bi se izbjegle opasne situacije.
16. Uvjerite se da je utikač čvrsto umetnut u zidnu utičnicu da biste izbjegli varnice.
17. Nemojte koristiti paročištače za čišćenje uređaja, jer može doći do električnog udara.
18. Za instalaciju je neophodan prekidač koji može u potpunosti isključiti napajanje. Odvajanje od napajanja se mora obezbijediti pomoću prekidača ili integrisanog osigurača instaliranog na fiksnom napajanju u skladu sa građevinskim propisom.
19. Fiksni priključci moraju biti priključeni na napajanje koje omogućava potpuno odvajanje. Za uređaje sa prenaponskom kategorijom ispod III, uređaj za isključivanje mora biti priključen na fiksno napajanje u skladu sa propisima za instalaciju.

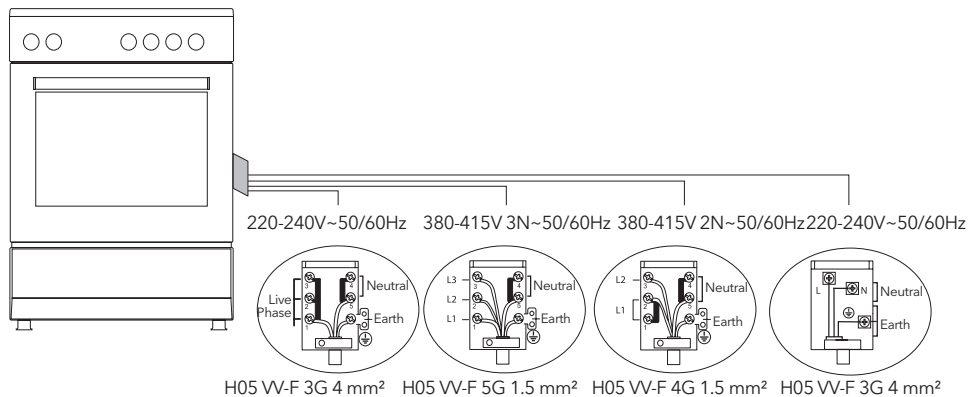
## Namjena

1. Ovaj proizvod je dizajniran za kućnu upotrebu. Komercijalna upotreba uređaja nije dozvoljena.
2. Ovaj uređaj može da se koristi samo u svrhe pripreme hrane. Ne smije se koristiti u druge svrhe, kao što je grijanje prostorije.
3. Ovaj uređaj ne smije da se koristi za zagrijavanje ploča ispod grila, za sušenje tkanina ili peškira vešanjem o ručku rerne ili u svrhu grijanja.
4. Proizvođač ne preuzima odgovornost za bilo kakvu štetu zbog zloupotrebe ili nepravilne upotrebe.
5. Rerna šporeta može da se koristi za odmrzavanje, pečenje, prženje i grilovanje hrane.

## Električni priključak

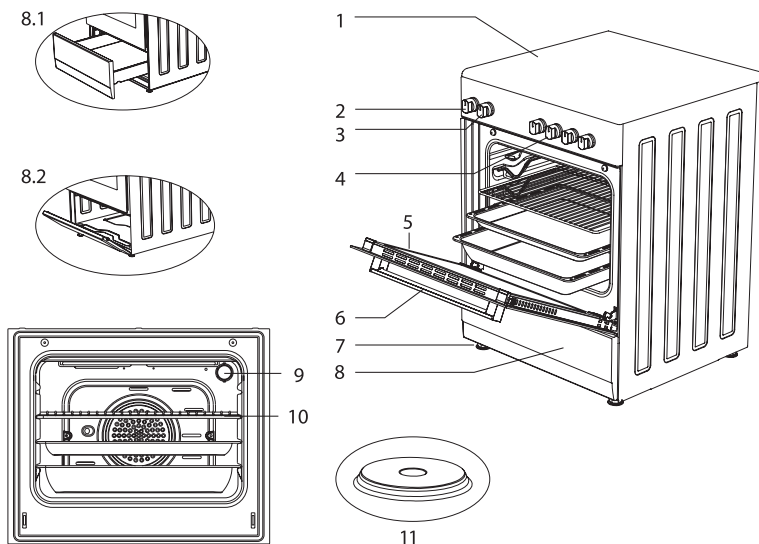
1. Vašem šporetu je neophodan osigurač od 16 ili 32 ampera u skladu sa napajanjem uređaja. Ako je neophodno, preporučuje se da instalaciju obavi kvalifikovani električar.
2. Vaš šporet je podešen u skladu sa električnim napajanjem 220–240V AC/380–415V AC 50/60Hz. Ako se električna mreža razlikuje od navedene vrijednosti, kontaktirajte sa ovlašćenim servisom.
3. Električni priključak uređaja treba izvesti samo pomoću utičnica sa instaliranim sistemom uzemljenja u skladu sa propisima. Ako na mjestu gdje će biti postavljen šporet nema utičnice sa sistemom uzemljenja, odmah kontaktirajte sa kvalifikovanim električarom. Proizvođač neće biti odgovoran za oštećenja nastala usled povezivanja uređaja na utičnicu bez sistema za uzemljenje. Ako su krajevi kabla električnog priključka otvoreni, u skladu sa tipom uređaja, instalirajte prekidač pomoću koga možete odvojiti sve krajeve u slučaju povezivanja na mrežni kabl ili odvajanja od njega.
4. Ako je vaš kabl za električno napajanje neispravan, odmah mora da ga zamijeni ovlašćeni servis ili kvalifikovani električar radi izbjegavanja opasnosti.
5. Električni kabl ne smije dodirivati vruće djelove uređaja.
6. Prilikom postavljanja šporeta, uvjerite se da je u nivou kuhinjske radne ploče. Ako je neophodno, podešavanjem postolja prilagodite ga nivou kuhinjske radne ploče.

## Šema električnog priključka



## OPIS UREĐAJA

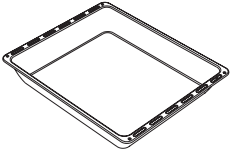
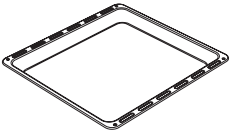
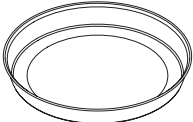
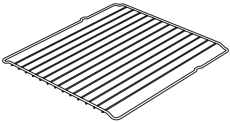


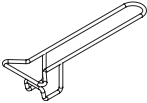
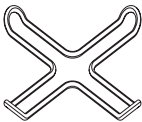
Modeli: CS5400SW, CS6400SW, CS5400SX, CS6400SX



1. Gornja staklena ploča
2. Dugme termostata
3. Komandno dugme za renu
4. Regulatori za vitrokeramičke ploče za kuvanje
5. Vrata rene
6. Ručka
7. Plastična nožica

8. Vrata donje fioke
  - 8.1. Fioka
  - 8.2. Preklopna vrata
9. Lampa
10. Roštilj
11. Rešo (145 mm ili 185 mm)

## Dodatna oprema

	<p><b>Duboki pleh</b> Koristi se za kolače, prženje u dubokom ulju i pripremu čorbi. Kada se kolači, smrznuta hrana i meso pripremaju na samoj gril-rešetki, može da se koristi kao pleh za prikupljanje tečnosti.</p>
	<p><b>Pleh / Stakleni pleh*</b> Koristi se za peciva (kolačiće, keksiće, itd.) i smrznutu hranu.</p>
	<p><b>Okrugli pleh*</b> Koristi se za peciva i smrznutu hranu.</p>
	<p><b>Gril-rešetka</b> Koristi se za prženje i/ili postavljanje hrane za pečenje na određenu visinu u remini.</p>
	<p><b>Teleskopska šina*</b> Pomoću teleskopskih šina, plehovi i/ili žičane police mogu se lako postavljati ili uklanjati.</p>
	<p><b>Rešetka u plehu*</b> Namirnice koje mogu da se zalijepu tokom pečenja, kao što je junetina, postavljaju se na rešetku u plehu. Time se sprečava lijepljenje namirnica.</p>
	<p><b>Ručka pleha*</b> Koristi se za hvatanje plehova.</p>
	<p><b>Postolje za džezvu *</b> Može se koristiti kao postolje za džezvu.</p>

## Tehničke karakteristike vašeg šporeta

Specifikacije	50x55	50x60	60x60
Spoljašnja širina	500 mm	500 mm	600 mm
Spoljašnja dužina	565 mm	630 mm	630 mm
Spoljašnja visina	855 mm	855 mm	855 mm
Snaga lampe	15-25 W		
Donji grijač	1000 W	1000 W	1200 W
Gornji grijač	800 W	800 W	1000 W
Turbo grijač	-----	1800 W	2200 W
Grejač za gril	1500 W	1500 W	2000 W
Napajanje	220-240V AC/380-415V AC 50/60 Hz		
Ringla 145 mm *	1000 W		
Ringla 180 mm *	1500 W		
Brza ringla 145 mm *	1500 W		
Brza ringla 180 mm *	2000 W		



### UPOZORENJE

- Za izmjene koje obavlja ovlašćeni servis, obavezno uzeti u obzir ovu tabelu. Proizvođač neće snositi odgovornost za bilo kakve probleme nastale usled pogrešne izmjene.
- U cilju poboljšanja kvaliteta proizvoda, tehničke specifikacije se mogu promijeniti bez prethodnog obavještenja.
- Vrijednosti koje se isporučuju sa uređajem ili njegovom pratećom dokumentacijom dobijene su laboratorijskim mjerenjima u skladu sa odgovarajućim standardima. Ove vrijednosti mogu da se razlikuju u zavisnosti od načina korišćenja i okruženja.

# INSTALACIJA VAŠEG ŠPORETA

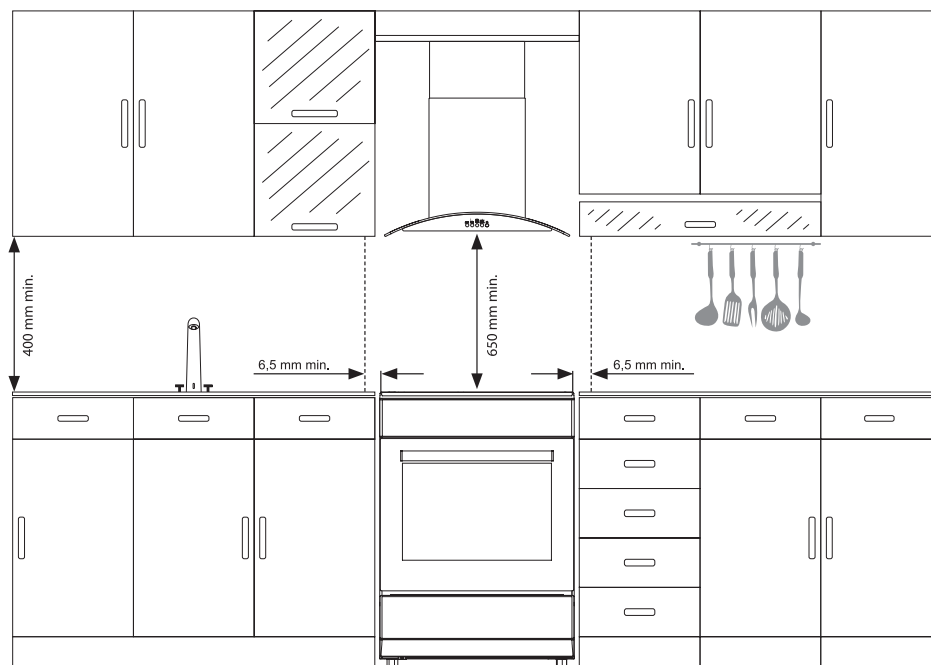
Provjerite da li je električna instalacija odgovarajuća za uključivanje uređaja. Ako električna instalacija nije odgovarajuća, pozovite električara i vodoinstalatera da bi ih adekvatno postavili. Proizvođač neće snositi odgovornost za oštećenja izazvana aktivnostima neovlašćenih lica.

## ⚠ UPOZORENJE

- **UPOZORENJE:** Odgovornost korisnika je da pripremi lokaciju za postavljanje proizvoda, kao i da pripremi električnu instalaciju.
- **UPOZORENJE:** Prilikom instalacije proizvoda, obavezno se pridržavati lokalnih propisa i standarda o električnim instalacijama.
- **UPOZORENJE:** Prije instalacije provjerite da li uređaj ima bilo kakvih oštećenja. Nemojte instalirati proizvod ukoliko je oštećen. Oštećeni proizvodi dovode do rizika vaše bezbjednosti.

## Odgovarajuće mesto za instalaciju i važna upozorenja

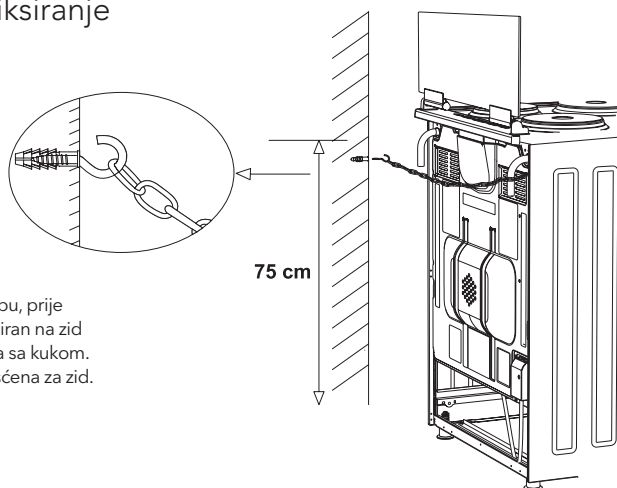
- Nožice uređaja ne smiju da se postavljaju na mekane površine poput tepiha. Kuhinjski pod mora biti izdržljiv kako bi nosio težinu uređaja i drugog posuđa koje se može koristiti na šporetu.
- Za korišćenje uređaja obezbijediti minimalno rastojanje od 400 mm od površine visećeg dela, odnosno 65 mm od bočnih stranica kuhinjskih elemenata.
- Uređaj je pogodan za upotrebu sa obje bočne stranice, bez ikakve potpore ili bez ugradnje u kuhinjski element. Ako će hauba ili aspirator biti instalirani iznad šporeta, pratite uputstva proizvođača za visinu ugradnje (min. 650 mm).



## ⚠ UPOZORENJE

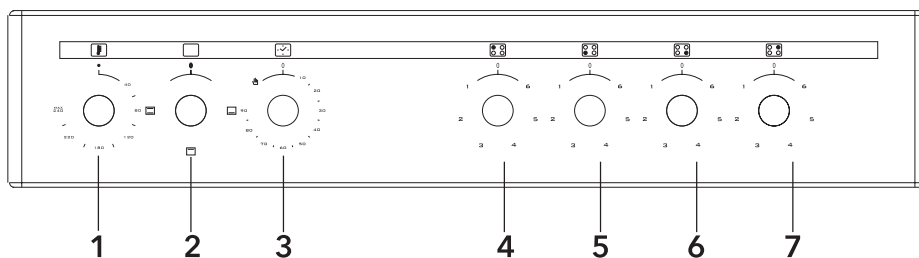
- **UPOZORENJE:** Kuhinjski elementi koji se nalaze u blizini uređaja moraju biti otporni na toplotu.
- **UPOZORENJE:** Nemojte instalirati uređaj pored frižidera ili rashladnih uređaja. Uređaj povećava potrošnju energije rashladnih uređaja.
- **UPOZORENJE:** Nemojte koristiti vrata i/ili ručku šporeta da biste ga nosili ili premještali.

## Ilustracija lanca za fiksiranje



Da biste obezbijedili sigurnu upotrebu, prije upotrebe uvjerite se da je uređaj fiksiran na zid pomoću isporučenog lanca i zavrtnja sa kukom. Uvjerite se da je kuka sigurno pričvršćena za zid.

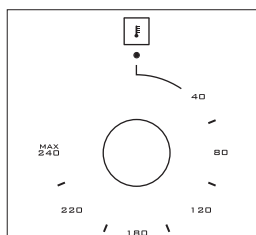
## KONTROLNA TABLA



- |                                    |                                     |
|------------------------------------|-------------------------------------|
| 1. Termostat                       | 5. Prednji lijevi električni grijač |
| 2. Dugme za izbor funkcije         | 6. Prednji desni električni grijač  |
| 3. Mehanički tajmer *              | 7. Zadnji desni električni grijač   |
| 4. Zadnji lijevi električni grijač |                                     |

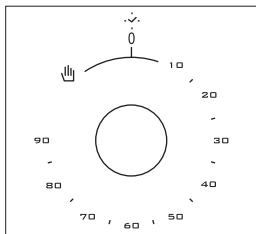
### UPOZORENJE

Kontrolna tabla na slici iznad služi samo kao ilustracija. Obratite pažnju na kontrolnu tablu na uređaju.



**Termostat:** Koristi se za određivanje temperature kuvanja jela koje se sprema u retni. Nakon postavljanja namirnica u retnu, okrenite prekidač da biste podesili željenu temperaturu između 40-240 °C. Za temperature kuvanja različitih namirnica, pogledajte tabelu kuvanja.





**Mehanički tajmer\***: Koristi se za određivanje perioda kuvanja u rerni. Kada podešeno vrijeme istekne, napajanje grijača se isključuje i emituje se zvučni signal upozorenja. Mehanički tajmer može da se podesi na željeni period 0-90 minuta. Za periode kuvanja pogledajte tabele kuvanja.

## KORIŠTENJE RERNE

### Korištenje grijača rerne

1. Prilikom prve upotrebe rerne, osjetiće se miris zagrijavanja grijača. Da biste otklonili taj miris, uključite praznu rernu na 45-60 minuta na temperaturi od 240 °C.
2. Kontrolno dugme rerne treba postaviti na željenu vrijednost; u suprotnom rerne neće raditi.
3. Vrste jela, vrijeme kuvanja i položaji termostata navedeni su u tabeli za kuvanje. Vrijednosti navedene u tabeli za kuvanje karakteristične su vrijednosti i dobijene su kao rezultat testova obavljenih u laboratorijskim uslovima. Možete pronaći različite ukuse u zavisnosti od vaših navika.
4. Pomoću dodatka možete pripremiti piletinu na ražnju u svojoj rerni.
5. Vrijeme kuvanja: rezultati se mogu mijenjati u odnosu na napon i vrste namirnica, količine i temperature.
6. Tokom pečenja u rerni, vrata rerne ne treba često otvarati. U suprotnom, cirkulacija toplote možda neće biti ravnomjerna, a rezultati mogu biti drugačiji.

### Korištenje grila

1. Kada gril postavite na gornju policu, hrana na grilu ne treba da dodiruje rešetku.
2. Prije grilovanja, zagrijte rernu 5 minuta. Ako je potrebno, okrenite hranu.
3. Neophodno je da hrana bude na sredini grila kako bi se postigla maksimalna cirkulacija vazduha u rerni.

#### Uključivanje grila:

1. Postavite dugme na simbol grila.
2. Zatim, podesite željenu temperaturu grila.

#### Isključivanje grila:

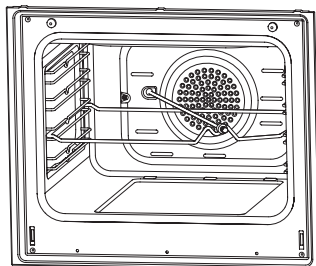
Postavite dugme u režim „isključeno“.



#### UPOZORENJE

Vrata rerne treba da budu zatvorena tokom grilovanja (električni roštilj).

### Upotreba ražnja\*



Stavite ražanj na okvir. Okvir za ražanj postavite na željenu visinu. Posudu za prikupljanje masnoće postavite ispod njega. U posudu za prikupljanje masnoće nalijte vodu radi lakšeg čišćenja. Ne zaboravite da uklonite plastični dio ražnja. Nakon grilovanja, zavrnite plastičnu ručicu na ražanj i izvadite hranu iz rerne.

## Korištenje ringli

	Jačina 1	Jačina 1	Jačina 1	Jačina 1	Jačina 1	Jačina 1
80 mm	200 W	250 W	450 W	---	---	---
145 mm	250 W	750 W	1000 W	---	---	---
180 mm	500 W	750 W	1500 W	---	---	---
145 mm brza	500 W	1000 W	1500 W	---	---	---
180 mm brza	850 W	1150 W	2000 W	---	---	---
145 mm	95 W	155 W	250 W	400 W	750 W	1000 W
180 mm	115 W	175 W	250 W	600 W	850 W	1500 W
145 mm brza	135 W	165 W	250 W	500 W	750 W	1500 W
180 mm brza	175 W	220 W	300 W	850 W	1150 W	2000 W
220 mm	220 W	350 W	560 W	910 W	1460 W	2000 W

1. Električne ringle imaju 6 standardnih nivoa temperature (kao što je iznad opisano).
2. Prilikom prve upotrebe, uključite električnu ringlu na nivo 6 na 5 minuta. Na ovaj način će sredstvo osjetljivo na toplotu sa ringle očvrtnuti zagrijavanjem.
3. Koristite tiganje sa ravnim dnom koji u potpunosti dolaze u dodir sa toplotom, jer ćete na taj način produktivnije koristiti energiju.



### UPOZORENJE

Dugotrajnom upotrebom ringli, područje ploče kao i ivice ringli mogu promjeniti boju. Servisni zahvat nije predmet garancije.



Pravilno



Nepravilno



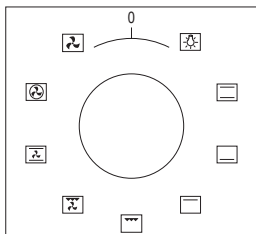
Nepravilno



Nepravilno

# TIPOVI PROGRAMA

Modeli: CS5400SW, CS6400SW, CS5400SX, CS6400SX,



**Dugme za određivanje funkcije:** Koristi se za određivanje grijača koji treba da se koriste za pripremu namirnica u retni. Tipovi programa grijača na ovom dugmetu i njihove funkcije opisani su u nastavku. Svi tipovi grijača i programa koji uključuju ove grijače možda neće biti dostupni na svim modelima.

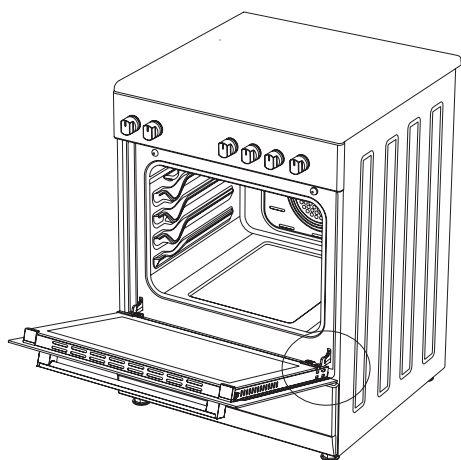
	Ražanj		Ventilator
	Gornji + bočni element za grijanje		Turbo grijač + ventilator
	Lampica		Donji + gornji grijač + ventilator
	Donji grijač + ventilator		Grijač za gril+ventilator
	Grijač za gril		Gorionik za gril/ grijač za gril
	Grijač za gril + lampica		Gornji grijač
	Električni tajmer		Gorionik rene / donji grijač



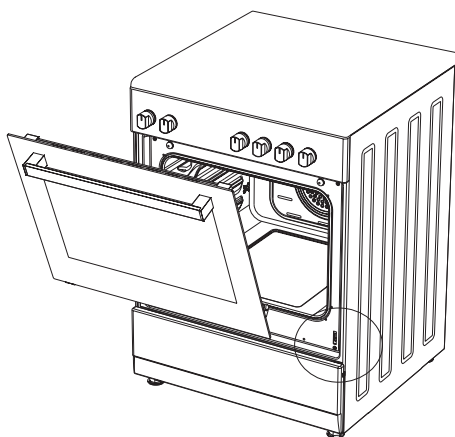
## UPOZORENJE

Svi tipovi grijača i programa koji uključuju ove grijače možda neće biti dostupni na svim modelima.

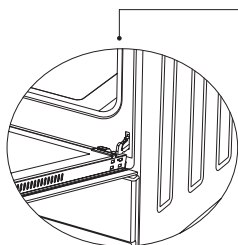
# INSTALACIJA VRATA RERNE



Slika 1

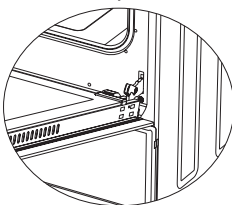


Slika 2



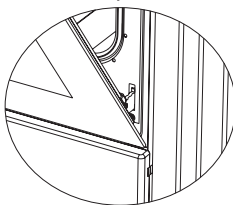
Slika 1.1

Potpuno otvorite vrata rerne tako što ćete ih povući ka sebi. Nakon toga, obavite proces otključavanja tako što ćete šarke povući nagore pomoću odvijača, kao što je prikazano na slici 1.1.



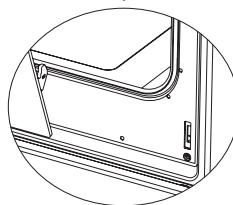
Slika 1.2

Postavite šarke u najširi položaj, kao što je prikazano na slici 1.2. Postavite obje šarke koje povezuju vrata rerne i šporet u isti položaj.



Slika 2.1

Nakon toga, zatvorite vrata rerne tako da se oslanjaju na šarke, kao što je prikazano na slici 2.1.



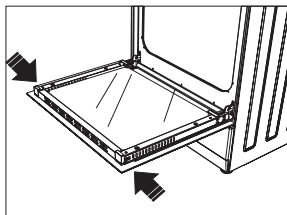
Slika 2.2

Da biste skinuli vrata rerne, povucite ih nagore držeći ih objema rukama, kao što je prikazano na slici 2.2.

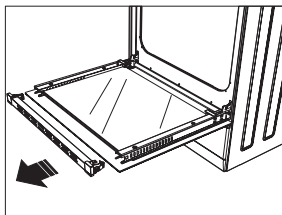
Da biste vratili vrata rerne, obavite prethodno navedene korake obrnutim redosledom.

## Čišćenje i održavanje stakla prednjih vrata rerne

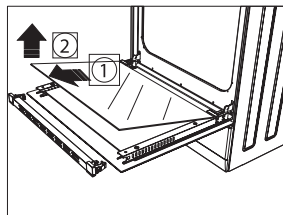
Skinite profil tako što ćete pritisnuti plastične reze sa lijeve i sa desne strane, kao što je prikazano na slici 3, a zatim povucite profil prema sebi, kao što je prikazano na slici 4. Zatim uklonite unutrašnje staklo (slika 5). Ako je potrebno, na isti način možete ukloniti srednje staklo. Nakon čišćenja i održavanja, ponovo postavite stakla i profil obrnutim redosledom. Provjerite da li je profil pravilno pričvršćen.



Slika 3



Slika 4



Slika 5

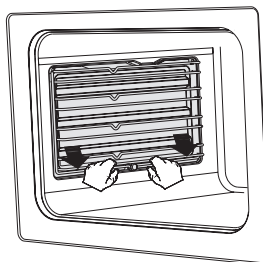
### Katalitički zidovi\*

Katalitički zidovi nalaze se na lijevoj i desnoj strani šupljina ispod vodica. Katalitički zidovi neutrališu neprijatne mirise i doprinose postizanju najboljih karakteristika rerne. Oni, takođe, apsorbiraju ostatke ulja i čiste vašu rernu tokom rada.

### Uklanjanje katalitičkih zidova

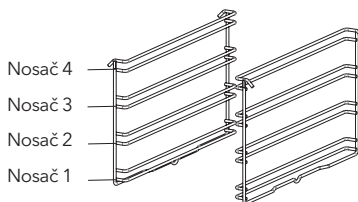
Da biste uklonili katalitičke zidove, morate izvući vodice. Čim izvučete vodice, katalitički zidovi će se automatski osloboditi. Katalitički zidovi se moraju zamijeniti nakon 2-3 godine.

Slika 6



### Položaji polica

Važno je da pravilno postavite rešetku grila u rernu. Nemojte dozvoliti da žičana polica dodiruje zadnji zid rerne. Položaji polica su prikazani na sledećoj slici. Duboki pleh ili standardni pleh morate postaviti na donjoj ili gornjoj žičanoj polici.



### Postavljanje i uklanjanje žičanih polica

Da biste uklonili žičane police, pritisnite klipse označene strelicama na slici, prvo uklonite donju, a zatim gornju stranu sa mjesta postavljanja. Da biste postavili žičane police, proces uklanjanja ponovite obrnutim redosledom.

### Zamena lampe rerne



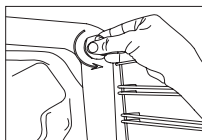
#### UPOZORENJE

Da biste izbegli električni udar, provjerite da li je strujno kolo uređaja otvoreno prije zamjene lampe. (Otvoreno kolo znači da je napajanje isključeno.)

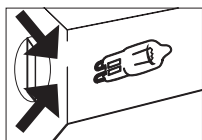
Prvo odvojte napajanje od uređaja i provjerite da li se uređaj ohladio.

Skinite zaštitno staklo okretanjem, kao što je prikazano na slici sa lijeve strane. Ako imate poteškoća prilikom okretanja, pomoći će vam korišćenje plastičnih rukavica.

Zatim, skinite lampu odvijanjem i instalirajte novu lampu sa istim specifikacijama. Ponovo postavite zaštitno staklo, priključite kabl za napajanje uređaja u električnu utičnicu i završite sa zamjenom. Sada možete koristiti svoju rernu.

**Lampa tipa G9**

220-240 V, AC 15-25 W



Slika 7

**Lampa tipa E14**

220-240 V, AC 15 W



Slika 8

**Upotreba limenog deflektora za gril\***

1. Bezbjednosna ploča dizajnirana je da zaštiti kontrolnu tablu i dugmad kada je rerma u režimu grila. (Slika 9)
2. Koristite ovu bezbjednosnu ploču da biste izbjegli da toplota ošteti kontrolnu tablu i dugmad kada je rerma u režimu grila.

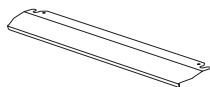
**UPOZORENJE**

Dostupni djelovi mogu biti vrući tokom korišćenja grila. Malu djecu treba držati dalje od njega.

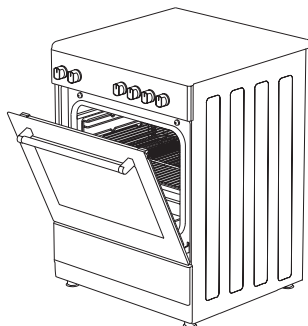
3. Postavite bezbjednosnu ploču ispod kontrolne table otvaranjem stakla prednjeg poklopca. (Slika 10)
4. Zatim pričvrstite bezbjednosnu ploču između rerne i prednjeg poklopca pažljivim zatvaranjem poklopca. (Slika 11)
5. Za kuhanje je važno da poklopac bude otvoren na navedenom rastojanju prilikom kuhanja u režimu grila.
6. Bezbjednosna ploča osigurava idealne okolnosti kuhanja dok štiti kontrolnu tablu i dugmad.

**UPOZORENJE**

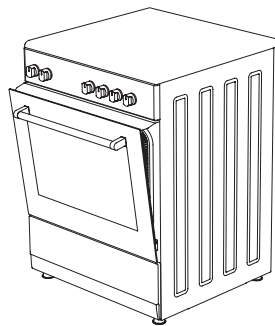
Ako rerma ima opciju „funkcija zatvorenog grila“ na termostatu, vrata rerne možete zatvoriti u toku rada; u tom slučaju limeni deflektor za gril neće biti neophodan.



Slika 9



Slika 10



Slika 11

# REŠAVANJE PROBLEMA

Možete riješiti probleme koji se javljaju na vašem proizvodu tako što ćete provjeriti sledeće tačke prije pozivanja tehničke službe.

## Kontrolne tačke

Ukoliko imate problem sa šporetom, prvo provjerite tabelu u nastavku i pokušajte sa ovim predlozima.

Problem	Mogući uzrok	Šta uraditi
Rerna ne radi.	Napajanje nije dostupno.	Provjerite napajanje.
Rerna se zaustavlja sa radom tokom kuvanja.	Utikač ispada iz zidne utičnice.	Ponovo postavite utikač u zidnu utičnicu.
Isključuje se tokom kuvanja.	Predug kontinuirani rad.	Pustite da se rerna ohladi nakon dugih ciklusa kuvanja.
	Više od jednog utikača u zidnoj utičnici.	Upotrebjavajte samo jedan utikač za svaku zidnu utičnicu.
Vrata rerne se ne otvaraju ispravno.	Ostaci hrane zaglavljani su između vrata i unutrašnjeg dijela.	Očistite rernu dobro i pokušajte ponovo otvoriti vrata.
Električni udar kada dodimete rernu.	Nema ispravnog uzemljenja.	Provjerite da li je napajanje ispravno uzemljeno.
	Upotrebjava se neuzemljena zidna utičnica.	
Curi voda.	Voda ili para se mogu stvoriti pod određenim uslovima, zavisno od hrane koja se kuva. Ovo nije problem sa aparatom.	Pustite rernu da se ohladi i obrišite je suvom krpom.
Para izlazi iz pukotine na vratima rerne.		
Voda ostaje u rerni.		
Tokom rada izlazi dim.	Ako prvi put upotrebljavate rernu.	Dim izlazi iz grijača. Ovo nije kvar. Nakon 2-3 ciklusa, neće biti više dima.
	Hrana je na grejaču.	Pustite rernu da se ohladi i očistite ostatke hrane sa grijača.
Kada rerna radi, iz nje izlazi miris paljevine ili plastike.	U unutrašnjosti rerne upotrebljavaju se plastični ili drugi neoporni dodaci.	Na visokim temperaturama upotrebljavajte odgovarajuću dodatnu opremu od stakla.
Rerna se ne zagrijava.	Vrata su otvorena.	Zatvorite vrata i pokušajte ponovo.
	Kontrole rerne nijesu ispravno podešene.	Pročitajte odjeljak o radu rerne i resetujte rernu.
	Osigurač je ispao ili je prekidač struje isključen.	Zamijenite osigurač ili resetujte prekidač. Ako se to često ponavlja, pozovite električara.
Rerna ne peče dobro.	Vrata rerne se često otvaraju tokom kuvanja.	Ne otvarajte vrata rerne često ako hrana koju kuvate ne zahtijeva okretanje. Ako otvarate vrata često, unutrašnja temperatura pada, te će stoga uticati na rezultat kuvanja.

Problem	Mogući uzrok	Šta uraditi
Unutrašnje svjetlo je prigušeno ili ne radi.	Strani predmet pokriva lampu tokom kuvanja.	Očistite unutrašnju površinu rerne i ponovo provjerite.
	Lampa možda ne valja.	Zamenite lampom sa istim specifikacijama.

## PRAVILA RUKOVANJA

1. Nemojte koristiti vrata i/ili ručku uređaja za njegovo nošenje ili premještanje.
2. Premještanje i transport vršite u originalnoj kutiji.
3. Budite veoma pažljivi prilikom utovara/istovara uređaja i rukovanja.
4. Provjerite da li je ambalaža čvrsto zatvorena tokom rukovanja i transporta.
5. Zaštitite ambalažu od spoljašnjih faktora (kao što su vlaga, voda, itd.) koji je mogu oštetiti.
6. Vodite računa da se uređaj ne ošteti udarcima, padovima, kapima vode, itd. tokom rukovanja i transporta i vodite računa da ga ne polomite ili deformišete tokom rada.

## Preporuke za uštedu energije

Sledeći detalji će vam pomoći da koristite svoj proizvod ekološki i na ekonomičan način.

1. U rerni koristite tamne i emajlirane posude koje bolje provode toplotu.
2. Dok pripremate namirnice, unaprijed zagrijte rernu ako recept ili korisničko uputstvo ukazuju na to da je prethodno zagrijavanje neophodno.
3. Nemojte često otvarati vrata rerne u toku kuvanja.
4. Pokušajte da ne kuvate više jela u rerni istovremeno. Možete istovremeno kuvati postavljanjem dvije posude za kuvanje na žičanu policu.
5. Kuvajte više jela jedno za drugim. Rerna neće izgubiti toplotu.
6. Isključite rernu par minuta prije završetka kuvanja. U tom slučaju, nemojte otvarati vrata rerne.
7. Odmrzните zamrznute namirnice prije kuvanja.

## EKOLOŠKO ODLAGANJE



Odložite na ekološki način.

Ovaj uređaj je označen u skladu sa evropskom Direktivom 2012/19/EU u upotrebi električnih i elektronskih uređaja (otpadna električna i elektronska oprema - WEEE). Smjernice određuju okvirni rad za povratak i recikliranje korišćenih uređaja na način primjenjiv u cijeloj EU.

## INFORMACIJE O AMBALAŽI

Ambalaža proizvoda je proizvedena od sekundarnih sirovina u skladu sa našim nacionalnim propisima za zaštitu životne sredine. Ne bacajte ambalažu zajedno sa kućnim ili drugim otpadom. Odnosite je do sabirnih centara za ambalažu, koje su odredile lokalne vlasti.



Уважаеми потребителю!

Препоръчваме ви да прочетете внимателно ръководството за потребителя, преди да използвате уреда и да го държите на Ваше разположение по всяко време.

## ЗАБЕЛЕЖКА

Това ръководство за потребителя е изготвено за няколко модела. Някои от функциите, описани в Ръководството, може да не са налични на вашето устройство.

Всички наши уреди са само за домашна употреба, не са предназначени за търговска употреба. Продуктите, маркирани със (\*), са по избор.

**Съответства на регламентите за отпадъци от електрическо и електронно оборудване (ОЕЕЕ).**

## ВАЖНИ ПРЕДУПРЕЖДЕНИЯ

- Монтажът и ремонтът трябва да се извършват само от "УПЪЛНОМОЩЕН СЕРВИЗ". Производителят не носи отговорност за операции, извършени от неупълномощени лица.
- Моля, прочетете внимателно това ръководство за експлоатация. Това е единственият начин да използвате правилно уреда и по безопасен начин.
- Печката трябва да се използва в съответствие с инструкциите за експлоатация.
- Дръжте децата под 8-годишна възраст и домашните любимци далеч по време на работа.
- ВНИМАНИЕ: Когато се използва грила, достъпните части може да са горещи. Съхранявайте далече от деца.**
- ВНИМАНИЕ: Опасност от пожар; не оставяйте вещи върху повърхността за готвене.**
- ВНИМАНИЕ: Уредът и достъпните му части се нагряват по време на употреба.**
- Условията за монтаж на това устройство са посочени на етикета (или на табелката с данни).
- Когато се използва грила, достъпните части може да са горещи. Малките деца трябва да се пазят далече от уреда.
- ВНИМАНИЕ: Този уред е предназначен за готвене. Не трябва да се използва за други цели като отопление на помещението.**
- Не използвайте парочистачка за почистване на уреда.
- Уверете се, че вратата на фурната е напълно затворена, след като храната е поставена вътре във печката.
- НИКОГА не се опитвайте да гасите пожар с вода. Просто изключете захранването на уреда и покрийте пламъка с капак или противопожарно одеяло.
- Децата под 8-годишна възраст трябва да бъдат държани далеч от уреда, ако не могат да бъдат наблюдавани през цялото време.
- Избягвайте да докосвате нагревателните елементи.
- ВНИМАНИЕ: Процесът на готвене трябва да бъде наблюдаван. Винаги следете процеса на готвене.**
- Уредът може да се използва от деца на възраст над осем години, както и от хора с ограничени физически, сензорни или умствени способности и лица, които нямат опит и достатъчно знания, ако са под наблюдение или са получили инструкции относно това как да използват уреда безопасно и са разбрали произтичащите рискове.
- Този уред е предназначен само за домашна употреба.
- Децата не трябва да си играят с уреда. Почистването или поддръжката на уреда не трябва да се извършва от деца, освен ако не са на възраст над 8 години и под надзора на възрастен.
- Пазете уреда и захранващия кабел далеч от деца на възраст под 8 години.
- Дръжте завеси, тюлени пердетата, хартия или всякакви запалими материали от уреда, преди да го използвате. Не поставяйте запалими или горими материали във или в уреда.
- Дръжте отворени вентилационните канали.
- Уредът не е подходящ за използване с външен таймер или отделна система за дистанционно управление.
- Не нагрявайте затворени консерви и стъклени буркани. Налягането може да доведе до експлодиране на съдовете.
- Дръжката на фурната не е предназначена за сушене на кърпи. Не окачвайте кърпи и други тъкани на дръжката на фурната.

26. Не поставяйте тави, чинии или алуминиево фолио директно върху печката.  
Акумулираната топлина може да повреди плота.
27. Използвайте термоустойчиви ръкавици за фурна, когато поставяте или изваждате храна от фурната.
28. Не използвайте уреда, ако сте под влиянието на определени лекарства и/или алкохол, тъй като това може да повлияе на способността Ви за преценка.
29. Бъдете внимателни, когато използвате алкохол за приготвяне на храна. Алкохолът ще се изпари при високата температура и може да причини пожар, ако влезе в контакт с горещи повърхности.
30. След всяка употреба се уверете, че устройството е изключено.
31. Не работете с устройството, ако е дефектно или видимо повредено.
32. Не докосвайте щепсела с мокри ръце. Не дърпайте кабела, за да го изключите, винаги хващайте щепсела.  
Не използвайте предното стъкло на вратата на уреда с отстранено или счупено.
33. Поставяйте хартията за печене заедно с храната директно в предварително загрятата фурна или върху аксесоар за фурна (тава за печене, скара и др.).
34. Не поставяйте върху уреда предмети, до които децата могат да достигнат.
35. Важно е да поставите решетката на скарата и тавата правилно върху телените рафтове и/или да поставите тавата правилно на рафта. Поставете скарата или тавата между две релси и се уверете, че е балансирана, преди да поставите храна върху нея.
36. За да избегнете риск от докосване на нагревателните елементи на фурната, отстранете излишната хартия за печене, стърчаща от приставката или тавата за фурната.
37. Никога не използвайте температура, по-висока от максималната, посочена на опаковката на хартията за печене. Не поставяйте хартия за печене на дъното на фурната.
38. Когато вратата на фурната е отворена, не поставяйте тежки предмети върху нея и не позволявайте на децата да седят върху нея. Това може да причини преобръщане на печката или да повреди пантите на вратата.
39. Опаковъчните материали са опасни за децата. Съхранявайте опаковъчните материали на място, недостъпно за деца.
40. Не използвайте абразивни почистващи препарати или остри метални стъргалки за почистване на стъклото, тъй като драскотините, които се появяват по повърхността на стъклото на вратата, могат да причинят напукване на стъклото.
41. Не поставяйте уреда върху повърхност, покрита с килими. Електрическите части ще прегреят поради липса на вентилация от долната страна. Това ще доведе до неизправност на уреда.
42. Не удряйте стъклените повърхности на витрокерамичните плочи с метални предмети, тъй като това може да ги повреди. Това може да причини токов удар.
43. Потребителят не трябва сам да ремонтира печката.
44. Трябва да внимавате, когато почиствате газовите горелки. Това може да причини физически наранявания.
45. По време на употреба вътрешната и външната повърхност на печката се нагряват. Когато отворите вратата на фурната, направете крачка назад, за да избегнете излизането на гореща пара от вътрешността. Съществува риск от изгаряне.
46. Капакът на котлона може да се затвори по някаква причина и съдовете от котлона да се обърнат. Отстъпете назад, за да избегнете изгарянето от горещата храна. Съществува риск от изгаряне.
47. Не оставяйте тежки предмети върху вратата на фурната, когато е отворена, тъй като има опасност от преобръщане.
48. Потребителят не трябва да размества нагревателите по време на почистване. Това може да причини токов удар.
49. Не отстранявайте ключовете за запалване от уреда. В такъв случай може да имате достъп до електрически кабели под напрежение. Това може да причини токов удар.
50. Захранването на печката може да бъде прекъснато по време на всякакви строителни работи в дома. След приключване на работата, повторното свързване трябва да се извърши от упълномощен сервиз.
51. Не поставяйте метални прибори като ножове, вилници, лъжици върху повърхността на уреда, тъй като те ще се нагорещат.
52. За да се предотврати прегряване, уредът не трябва да се монтира под декоративен капак.
53. Изключете устройството, преди да отстраните каквото и да е защитно оборудване. След почистване монтирайте защитните елементи съгласно инструкциите.
54. Мястото на закрепване на кабела трябва да бъде защитено.
55. **ВНИМАНИЕ:** Не използвайте горелките на фурната и грила едновременно.

56. **Не приготвяйте храна директно върху тавата/скарата. Поставете храната в или върху подходящ съд, преди да я поставите във фурната.**
57. Оставете горещите повърхности да се охладят, преди да затворите капака.
58. **ВНИМАНИЕ: Ако стъклото на фурната е счупено, незабавно изключете всички нагревателни елементи и изключете уреда от източника на захранване, не докосвайте повърхността на уреда и не го използвайте.**

## Електрическа безопасност

1. Включете уреда в заземен контакт, защитен с предпазител, в съответствие със стойностите, дадени в таблицата с технически спецификации.
2. Заземяващо оборудване трябва да бъде монтирано от упълномощен електротехник. Нашето дружество няма да носи отговорност за щети, произтичащи от използването на уреда без заземяване в съответствие с местните разпоредби.
3. Превключвателите с предпазители трябва да бъдат поставени така, че крайният потребител да може да ги достига, когато печката е монтирана
4. Захранващият кабел (кабелът с щепсел) не трябва да влиза в контакт с горещи части на уреда.
5. Ако захранващият кабел (кабелът с щепсел) е повреден, той трябва да бъде заменен от производителя, неговия сервизен агент или лица с подобна квалификация, за да се предотврати опасна ситуация.
6. Уредът не трябва да се почиства чрез пръскане или изливане на вода върху него! Съществува риск от токов удар.
7. **ВНИМАНИЕ:** За да избегнете токов удар се уверете, че електрическата верига на устройството не е затворена, преди да смените лампата.
8. **ВНИМАНИЕ:** Изключете всички конектори на захранващата верига, преди да получите достъп до клемите.
9. **ВНИМАНИЕ:** Ако повърхността е напукана, изключете уреда, за да избегнете вероятността от токов удар.
10. Не използвайте срязани или повредени кабели или удължители, различни от оригиналния кабел.
11. Уверете се, че в контакта, където е свързан уредът, няма течност или влага.
12. Повърхността на задната част на печката също се нагрива, когато печката работи. Електрическите връзки не трябва да докосват повърхността на задната част на печката, в противен случай може да се повредят.
13. Не изтегляйте захранващия кабел над вратата на фурната и не го прокаравайте по горещи повърхности. Ако кабелът се разтопи, това може да причини късо съединение и дори пожар.
14. Изключвайте уреда от контакта по време на монтаж, поддръжка, почистване и ремонт.
15. Ако захранващият кабел е повреден, той трябва да бъде заменен от неговия производител или упълномощен технически сервиз или друг квалифициран персонал на същото ниво, за да се избегне всякаква опасна ситуация.
16. Уверете се, че щепселът е поставен здраво в контакта, за да се избегне искрене.
17. Не използвайте парочистачки за почистване на уреда, тъй като това може да доведе до токов удар.
18. За монтажа е необходим многополюсен превключвател, който може да изключи захранването. Изключването от захранването трябва да бъде осигурено чрез превключвател или вграден предпазител, монтиран към фиксираното захранване в съответствие със строителните разпоредби.
19. Фиксираните конектори трябва да бъдат свързани към захранване, което позволява пълно изключване. За уреди с категория на пренапрежение под III, изключващото устройство трябва да бъде свързано към фиксираното захранване в съответствие с разпоредбите за окабеляване.

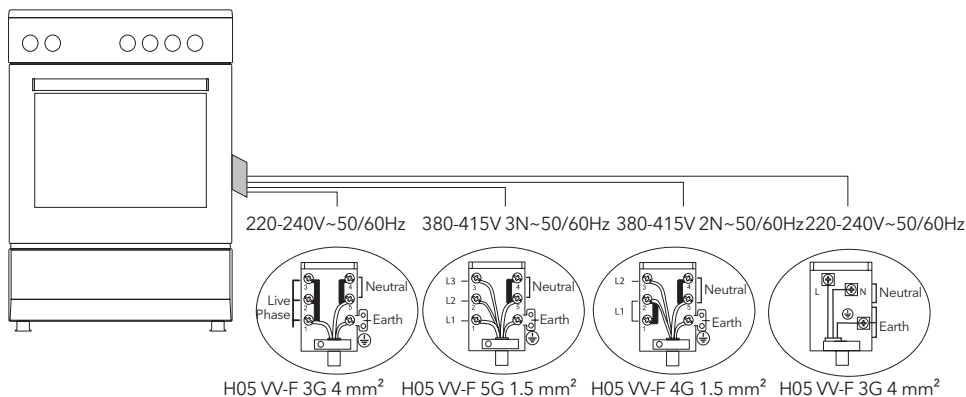
## Предвидена употреба

1. Този продукт е предназначен за домашна употреба. Търговската употреба не е разрешена.
2. Този уред може да се използва само за готвене. Не трябва да се използва за други цели като отопление на помещение.
3. Този уред не трябва да се използва за нагряване на чинии под скарата, за сушене на дрехи или кърпи, окачени от дръжката на фурната или за отопление.
4. Производителят не поема отговорност за каквито и да е щети, произтичащи от неправилна или некоректна употреба.
5. Фурната може да се използва за размразяване, печене, пържене и печене на скарата.

## Електрическо свързване

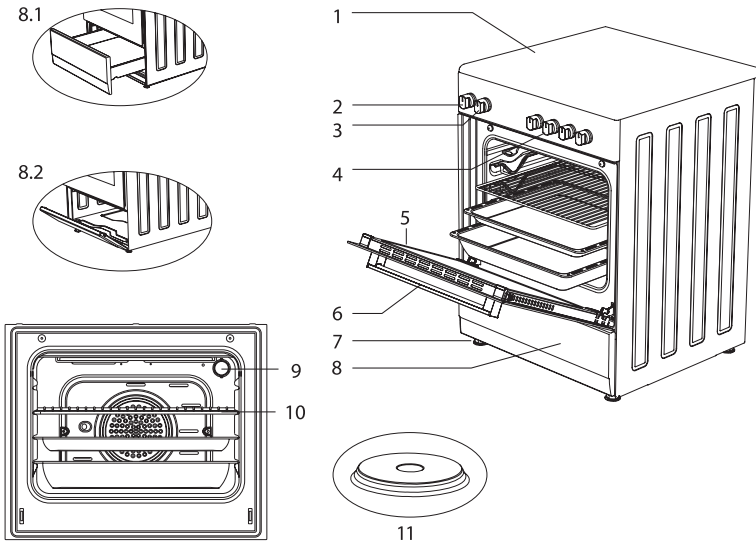
1. Вашата печка се нуждае от 40 А предпазител за монофазен или 3x16 А предпазителя за 3-фазно захранване, в зависимост от електрическата мощност, секцията с котлоните има 4 керамични нагревателя, а секцията на фурната има електрически нагреватели. Задължително е монтажът да се извърши от квалифициран електротехник.
  2. Вашата печка е предвидена за електрическо захранване с 220-240V AC/380-415V AC 50/60Hz. Ако напрежението в електрическата мрежа се различава от посочената стойност, свържете се с упълномощен сервизен център.
  3. Електрическото свързване на печката трябва да се извършва само чрез контакти с монтирана заземяваща система в съответствие с местните разпоредби. Ако няма контакт със заземяваща система, където ще бъде
- монтирана печката, незабавно се свържете с квалифициран електротехник. Производителят не носи отговорност за щети, които биха възникнали поради това, че уредът не е свързан към заземяваща система.
4. Ако захранващият кабел се повреди, той трябва да бъде заменен от упълномощен сервизен агент или квалифициран електротехник, за да избегнете опасност или токов удар.
  5. Електрическият кабел не трябва да се допира до горещите части на уреда.
  6. Работете с печката в суха атмосфера.
  7. Когато монтирате печката, уверете се, че е на нивото на кухненския плот. Ако е необходимо, регулирайте крачетата, за да я подравните с нивото на кухненския плот.

## Схема на електрическо свързване



# ОПИСАНИЕ НА УРЕДА

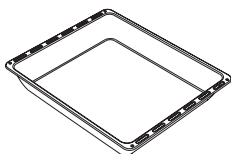
Модели: CS5400SW, CS6400SW, CS5400SX



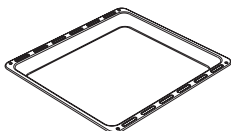
1. Горен стъклен панел
2. Копче на термостата
3. Копче за управление на фурната
4. Регулатори за стъклокерамичния плот
5. Врата на фурната
6. Дръжка
7. Пластмасов крак

8. Врата на долното чекмедже
  - 8.1. Чекмедже
  - 8.2. Сгъващи се врати
9. Лампа
10. Грил
11. Скара (145 mm или 185 mm)

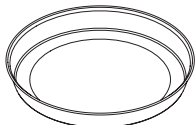
## Акcesoари

**Дълбока тава \***

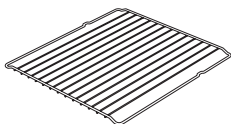
Използва се за тестени изделия, печене на големи парчета месо, ястия със сос. Може да се използва и като съд за събиране на мазнина, ако печете директно на скарата, при размразяване на замразени храни и за месни ястия.

**Тава / Стъклена тава \***

Използва се за тестени изделия (бисквити, курабийки и др.), замразени храни.

**Кръгла тава\***

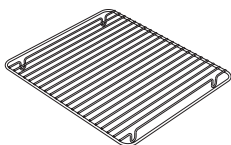
Използва се за сладкиши, замразени храни.

**Грил скара**

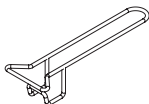
Използва се за печене или поставяне на храни за печене, запичане на определена височина във фурната.

**Телескопична шина\***

С помощта на телескопични шини, тавите и/или грил скарата могат лесно да се монтират или демонтират.

**Скара за тава \***

Храни, които може да залепнат по време на готвене, като пържоли, се поставят върху скарата за тава. Това предотвратява залепването на храната.

**Дръжка за тава \***

Използва се за захващане на горещи тави.

**Стойка за кана за кафе.**

Може да се използва за кана за кафе.

## Технически характеристики на печката

Спецификации	50x55	50x60	60x60
Външна ширина	500 mm	500 mm	600 mm
Външна дължина	565 mm	630 mm	630 mm
Външна височина	855 mm	855 mm	855 mm
Мощност на лампата	15-25 W		
Долен нагревателен елемент	1000 W	1000 W	1200 W
Горен нагревателен елемент	800 W	800 W	1000 W
Турбо нагревателен елемент	----	1800 W	2200 W
Нагревателен елемент за грил	1500 W	1500 W	2000 W
Захранващо напрежение	220-240V AC/380-415V AC 50/60 Hz		
Котлон 145 mm *	1000 W		
Котлон 180 mm *	1500 W		
Бързозагриващ котлон 145 mm *	1500 W		
Бързозагриващ котлон 180 mm *	2000 W		



### ПРЕДУПРЕЖДЕНИЕ!

- **ПРЕДУПРЕЖДЕНИЕ:** При промени, направени от упълномощен сервизен, трябва да се вземе предвид тази таблица. Производителят не носи отговорност за проблеми, произтичащи от неправилна модификация.
- **ПРЕДУПРЕЖДЕНИЕ:** За да се повиши качеството на уреда, техническите спецификации могат да бъдат променени без предизвестие.
- **ПРЕДУПРЕЖДЕНИЕ:** Стойностите, предоставени с уреда или придружаващите го документи, са получени чрез лабораторни измервания в съответствие със съответните стандарти. Тези стойности могат да варират в зависимост от употребата и околната среда.

## МОНТИРАНЕ НА ПЕЧКАТА

Проверете дали електрическата инсталация е добре изпълнена, за да може да приведе уреда в работно състояние. Ако електрическата инсталация не е подходяща, обадете се на електротехник и водопроводчик, за да ги монтират правилно. Производителят не носи отговорност за щети, причинени от операции, извършени от неупълномощени лица.

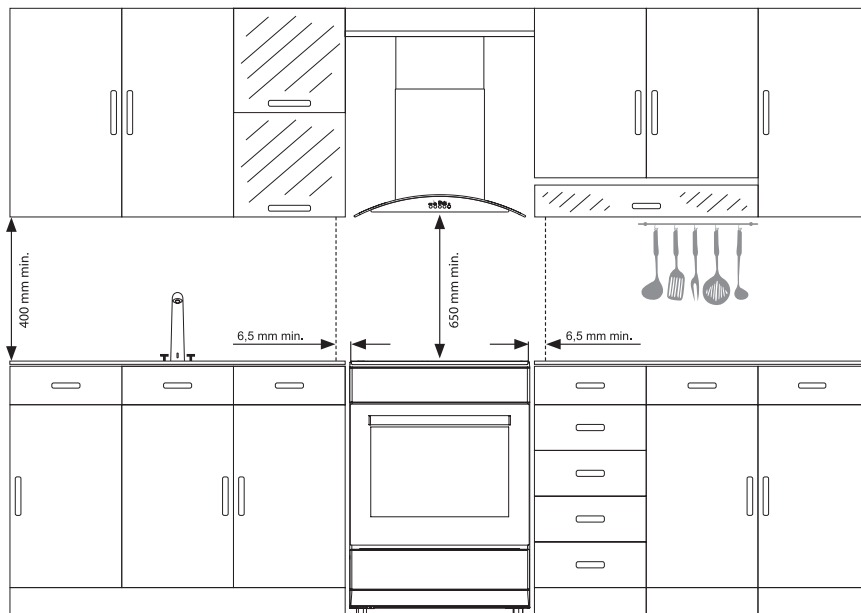


### ПРЕДУПРЕЖДЕНИЕ!

- **ПРЕДУПРЕЖДЕНИЕ:** Отговорност на потребителя е да подготви мястото за монтаж на уреда, както и да подготви електрическата инсталация.
- **ПРЕДУПРЕЖДЕНИЕ:** При монтиране на уреда трябва да се спазват правилата в местните стандарти за електрически инсталации.
- **ПРЕДУПРЕЖДЕНИЕ:** Преди монтаж проверете уреда за повреди. Не монтирайте уреда, ако е повреден. Повредените уреди представляват риск за Вашата безопасност.

## Подходящо място за монтаж и важни предупреждения

- Краката на уреда не трябва да се поставят върху меки повърхности като килими. Кухненският под трябва да е издръжлив, за да издържи тежестта на уреда и другите прибори, които могат да се използват на печката.
- Уредът трябва да се използва с разстояние от минимум 400 mm над горната повърхност на котлоните и 65 mm от страничните повърхности откъм кухненските мебели.
- Уредът е подходящ за използване без опора на двете странични стени или без да се монтира в шкаф. Ако над готварската печка ще бъде монтиран аспиратор или аспиратор, следвайте инструкциите на производителя за височината на монтаж. (мин. 650 mm)

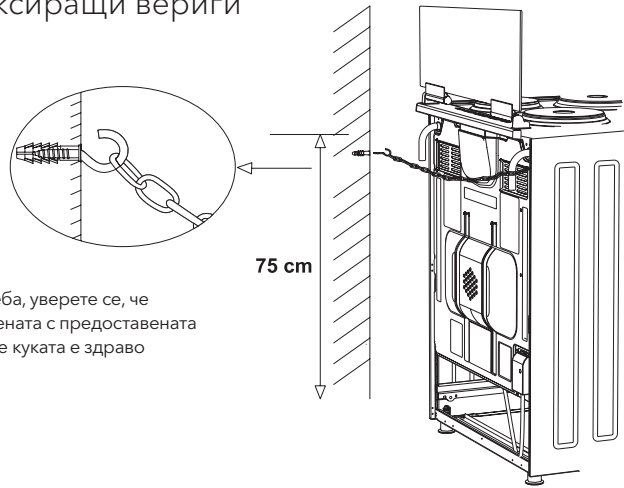


### ПРЕДУПРЕЖДЕНИЕ!

- Кухненските мебели в близост до уреда трябва да са топлоустойчиви.
- Не монтирайте уреда до хладилници или охладители. Топлината, излъчвана от уреда, увеличава консумацията на енергия на охлаждащите устройства.
- Не използвайте вратата и/или дръжката на печката, за да я пренасяте или местите.

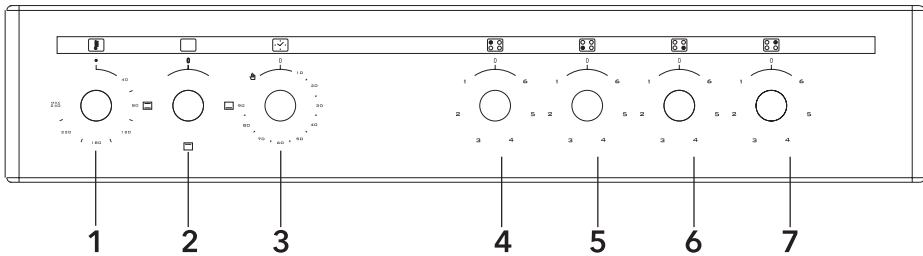


## Илюстрация на фиксиращи вериги



За да осигурите безопасна употреба, уверете се, че устройството е фиксирано към стената с предоставената верига и винт с кука. Уверете се, че куката е здраво завинтена в стената.

## КОНТРОЛЕН ПАНЕЛ

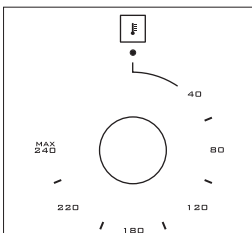


- |                                      |   |
|--------------------------------------|---|
| 1. Термостат                         | 5. Преден ляв електрически нагревател   |
| 2. Бутон за избор на функция         | 6. Преден десен електрически нагревател |
| 3. Механичен таймер *                | 7. Заден десен електрически нагревател  |
| 4. Заден ляв електрически нагревател |   |

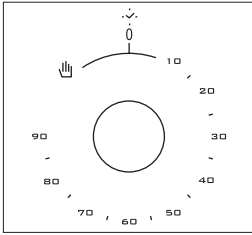


### ПРЕДУПРЕЖДЕНИЕ!

Контролният панел на изображението по-горе служи само за илюстрация. Имайте предвид контролния панел на вашето устройство.



**Термостат:** Използва се за определяне на температурата на готвене на ястието, което ще се готви във фурната. След като поставите храната във фурната, завъртете ключа, за да регулирате желаната настройка на температурата между 40-240 °C. За температурите на готвене на различни храни, вижте таблицата за готвене.



**Механичен таймер\*:** Използва се за определяне на времето за готвене във фурната. Когато зададеното време изтече, захранването на нагревателите се изключва и прозвучава звукът на предупредителен сигнал. Механичният таймер може да се настрои за желан период от време между 0-90 минути. За периодите на готвене, вижте таблиците за готвене.

## ИЗПОЛЗВАНЕ НА СЕКЦИИТЕ НА ФУРНАТА

### Използване на нагревателните елементи на фурната

1. Когато включите фурната за първи път, ще се разпространи миризма, която се дължи на използването на нагревателните елементи. За да я отстраните, оставете я да работи при 240 °C за 45-60 минути, както е празна.
2. Копчето за управление на фурната трябва да бъде настроено на желаната стойност; иначе фурната няма да работи.
3. Видовете ястия, времето за готвене и позициите на термостата са дадени в таблицата за готвене. Стойностите, дадени в таблицата за готвене, са характерни стойности и са получени в резултат на извършените изпитания в нашата лаборатория. Можете да намерите различни вкусове, в зависимост от вашите навици за готвене и употребата.
4. С помощта на аксесоарите, можете да пригответе пиле на грил във фурната.
5. Време за приготвяне: резултатите могат да варират в зависимост от напрежението и видовете храна, количествата и температурите.
6. По време на готвене във фурната капакът на фурната не трябва да се отваря често. В противен случай циркулацията на топлина може да не е равномерна и резултатите да са различни.

### Използване на грила

1. Когато поставите скарата на горния рафт, храната върху скарата не трябва да докосва скарата.
2. Можете да загреете скарата предварително за 5 минути. Ако е необходимо, обърнете храната.
3. Храната трябва да е в центъра на скарата, за да осигури максимален въздушен поток през фурната.

#### **Включване на грила;**

1. Поставете функционалния бутон върху символа за грил.
2. След това го настройте на желаната температура на гриловане.

#### **Изключване на грила;**

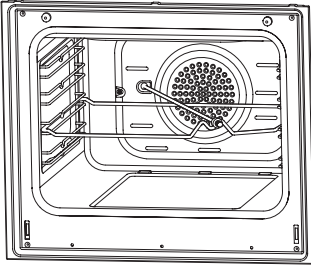
Задайте бутона в позиция изключено.



#### **ПРЕДУПРЕЖДЕНИЕ!**

Дръжте вратата на фурната затворена, докато гриловате. (електрическа скара)

## Използване на шиша\*



Поставете шиша върху рамката. Поставете рамката със шишовете на желаната височина. Поставете отдолу тава за събиране на мазнина. Добавете малко вода в съда за по-лесно почистване. Не забравяйте да премахнете пластмасовата част на шиша. След гриловането, завийте пластмасовата дръжка към шиша и извадете храната от фурната.

## Използване на котлони

	Ниво 1	Ниво 2	Ниво 3	Ниво 4	Ниво 5	Ниво 6
80 mm	200 W	250 W	450 W	---	---	---
145 mm	250 W	750 W	1000 W	---	---	---
180 mm	500 W	750 W	1500 W	---	---	---
145 mm бързозагривач	500 W	1000 W	1500 W	---	---	---
180 mm бързозагривач	850 W	1150 W	2000 W	---	---	---
145 mm	95 W	155 W	250 W	400 W	750 W	1000 W
180 mm	115 W	175 W	250 W	600 W	850 W	1500 W
145 mm бързозагривач	135 W	165 W	250 W	500 W	750 W	1500 W
180 mm бързозагривач	175 W	220 W	300 W	850 W	1150 W	2000 W
220 mm	220 W	350 W	560 W	910 W	1460 W	2000 W

1. Електрическите котлони имат 6 стандартни температурни нива (както е описано по-горе).
2. Когато използвате за първи път, включете електрическия котлон на ниво 6 за 5 минути. По този начин чувствителният към топлина агент ще се втвърди поради нагряването на котлона.
3. Използвайте тенджери с плоско дъно, които плътно влизат в контакт с нагрята повърхност, тъй като това ще изразходва енергията по-продуктивно.



### **ПРЕДУПРЕЖДЕНИЕ!**

При интензивна употреба на уреда пръстените на котлоните и околността могат да променят цвета си. Сервизното обслужване не се покрива от гаранцията.



Правилно



Неправилно



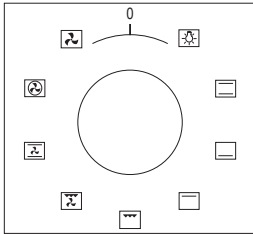
Неправилно



Неправилно

# ТИПОВЕ ПРОГРАМИ

Модели: CS5400SW, CS6400SW, CS5400SX, CS6400SX



**Функционален бутон:** Използва се за определяне на нагревателите, които да се използват за приготвяне на храна във фурната. Видовете програми за нагревателите и техните функции са описани по-долу. Не всички видове нагреватели и програмите, които включват тези нагреватели, са налични за всички модели.

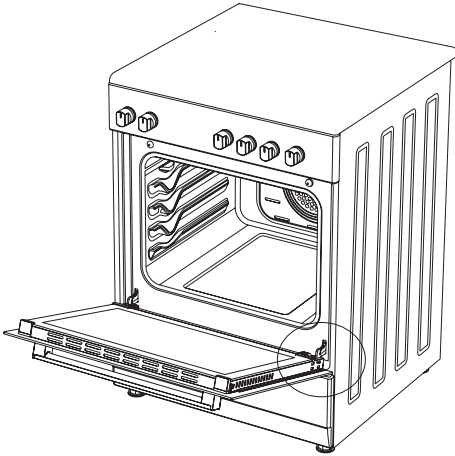
	Шиш		Вентилатор
	Горен + долен нагревателен елемент		Турбо нагревателен елемент + Вентилатор
	Лампа		Долен + горен нагревателен елемент + Вентилатор
	Долен нагревателен елемент + Вентилатор		Нагревателен елемент за грил + Вентилатор
	Нагревателен елемент за грил		Горелка за грил/Нагревателен елемент за грил
	Нагревателен елемент за грил + Лампа		Горен нагревателен елемент
	Електрически таймер		Горелка за фурна/Долен нагревателен елемент



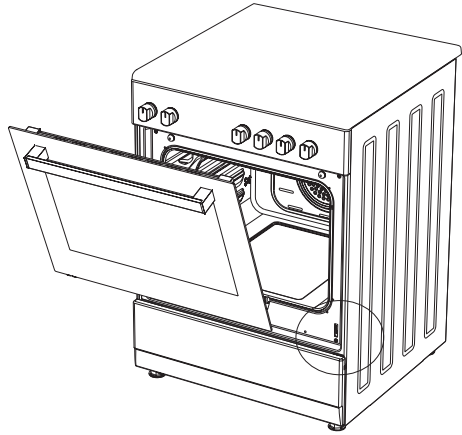
## ПРЕДУПРЕЖДЕНИЕ!

Не всички видове нагреватели и програмите, които включват тези нагреватели, са налични за всички модели.

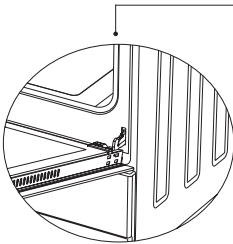
# МОНТИРАНЕ НА ВРАТАТА НА ФУРНАТА



Фигура 1

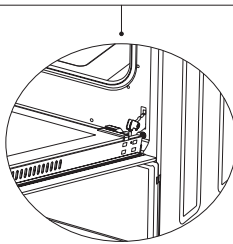


Фигура 2



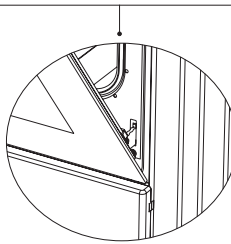
Фигура 1.1

Отворете напълно вратата на фурната, като я издърпате към себе си. След това извършете процеса на отключване, като издърпате пантите нагоре с отвертка, както е показано на Фигура 1.1.



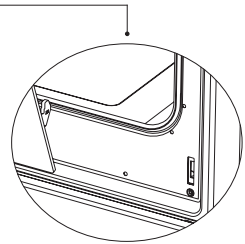
Фигура 1.2

Преместете заключването на пантата до най-широк ъгъл, както е показано на фигура 1.2. Поставете двете панти, свързващи вратата на фурната и печката, в една и съща позиция.



Фигура 2.1

След това затворете вратата на фурната, така че да легне на пантите, както е показано на Фигура 2.1.



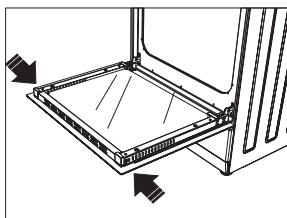
Фигура 2.2

За да свалите вратата на фурната я издърпайте нагоре, като я държите с две ръце, както е показано на Фигура 2.2.

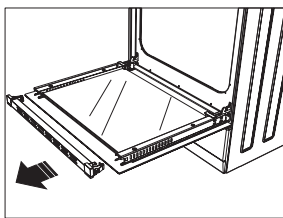
За да поставите отново вратата на фурната, изпълнете гореспоменатите стъпки в обратен ред.

## Почистване и поддръжка на стъклото на предната врата на фурната

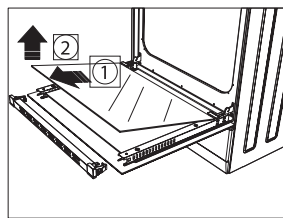
Извадете профила, като натиснете пластмасовите ключалки отляво и отдясно, както е показано на фигура 3, и след това издърпайте профила към себе си, както е показано на фигура 4. След това отстранете вътрешното стъкло (фигура 5). Ако е необходимо, средното стъкло може да се отстрани по същия начин. След почистване и поддръжка, монтирайте отново стъклата и профила в обратен ред. Уверете се, че профилът е правилно поставен на мястото си.



Фигура 3



Фигура 4



Фигура 5

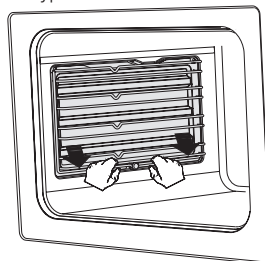
### Каталитични стени \*

Каталитичните стени са разположени от лявата и дясната страна в кухини под водачите. Каталитичните стени неутрализират неприятните миризми и допринасят за постигане на най-добрите характеристики на фурната. Те също така абсорбират остатъци от масло и почистват фурната по време на работа.

### Отстраняване на каталитични стени

За да отстраните каталитичните стени, трябва да издърпате водачите. Веднага след като издърпате водачите, каталитичните стени автоматично ще се освободят. Каталитичните стени трябва да бъдат подменени след 2-3 години.

Фигура 6



### Позиции на рафтовете

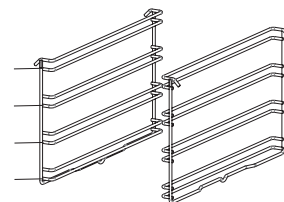
Важно е правилно да поставите скарата във фурната. Не допускайте рафта да докосва задната стена на фурната. Позициите на рафтовете са показани на следващата фигура. Трябва да поставите дълбоката тава или стандартната тава на долния или горния рафт.

Рафт 4

Рафт 3

Рафт 2

Рафт 1



### Монтаж и демонтаж на рафтовете

За да отстраните рафтовете, натиснете щипките, отбелязани със стрелките на фигурата, първо отстранете долната и след това горната част от мястото за монтаж. За да монтирате рафтовете, повторете процеса на отстраняване в обратен ред.

### Смяна на лампата на фурната

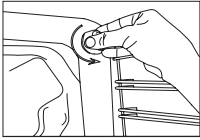


#### ПРЕДУПРЕЖДЕНИЕ!

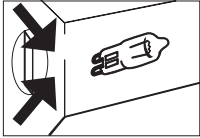
За да избегнете токов удар се уверете, че електрическата верига на уреда не е затворена, преди да смените лампата. (Отворена верига означава, че захранването е изключено) Първо изключете захранването на уреда и се уверете, че уредът е изстинал.

Отстранете защитното стъкло, като го завъртите, както е показано на фигурата вляво. Ако имате затруднения при завъртането, използването на гумени ръкавици ще Ви помогне.

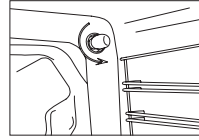
След това извадете лампата, като я развиете и монтирайте нова лампа със същите спецификации. Поставете отново защитното стъкло, включете захранващия кабел на устройството в електрически контакт и завършете замяната. Вече можете да използвате Вашата фурна.

**Тип лампа G9**

220-240 V, AC 15-25 W



Фигура 7

**Тип лампа E14**

220-240 V, AC 15 W



Фигура 8

**Използване на ламаринен предпазител за скара \***

1. Предпазната плоча е предназначена да предпазва контролния панел и бутоните, когато фурната е в режим грил. (Фигура 9)
2. Използвайте тази предпазна плоча, за да избегнете повреда от топлина на контролния панел и бутоните, когато фурната е в режим грил.

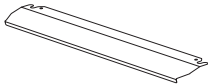
**ПРЕДУПРЕЖДЕНИЕ!**

Достъпните части може да са горещи по време на използване на скара. Малките деца трябва да се пазят далече от уреда.

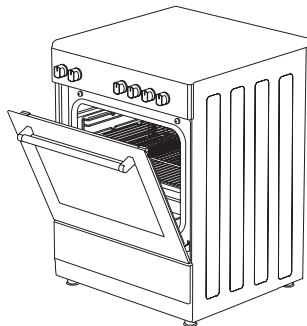
1. Поставете предпазната плоча под контролния панел, като отворите стъклото на предния капак на фурната. (Фигура 10)
2. След това закрепете предпазната плоча между фурната и предния капак, като внимателно затворите капака. (Фигура 11)
3. За готвенето е важно капакът да е отворен на определеното разстояние по време на готвене в режим грил.
4. Предпазна плоча ще осигури идеални условия за готвене, като същевременно предпазва контролния панел и бутоните.

**ПРЕДУПРЕЖДЕНИЕ!**

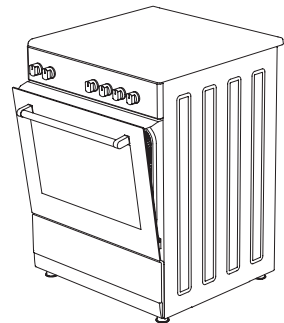
Ако фурната има опция "затворена грил функция" на термостата, можете да затворите вратата на фурната по време на работа; в този случай ламариненият предпазител за скарата няма да е необходим.



Фигура 9



Фигура 10



Фигура 11

# ОТСТРАНЯВАНЕ НА НЕИЗПРАВНОСТИ

Можете да разрешите проблемите, които възникват на Вашия урод, като проверите следните точки, преди да се обадите на техническата служба.

## Точки за проверка

Ако имате проблем с печката, първо проверете таблицата по-долу и изпробвайте тези предложения.

Проблем	Възможна причина	Какво да се направи
Фурната не работи.	Захранването не е налично.	Проверете входното електрозахранване.
Фурната спира по време на готвене.	Щепселът излиза от електрическия контакт.	Поставете отново щепсела в контакта.
Изключва се по време на готвене.	Твърде дълга продължителна работа.	Оставете фурната да изстине след продължителни цикли на готвене.
	Има повече от един щепсел в стенния контакт.	Включвайте само един щепсел във всеки контакт.
Вратата на фурната не се отваря правилно.	Остатъци от храна са заседнали между вратата и вътрешността на фурната.	Почистете добре фурната и се опитайте да отворите отново вратата.
Токов удар при докосване на печката.	Няма правилно заземяване.	Уверете се, че захранването е правилно заземено.
	Използван е незаземен контакт.	
Образуване на конденз.	При определени условия може да се образува конденз или пара в зависимост от пригответяната храна. Това не е неизправност на уреда.	Оставете фурната да изстине и след това избършете с кърпа.
От пукнатина на вратата на фурната излиза пара.		
Във фурната остава вода.		
По време на работа излиза дим.	Ако използвате фурната за първи път.	От нагревателя излиза дим. Това не е неизправност след 2-3 цикъла няма да има повече дим.
	Върху нагревателния елемент е попаднала храна.	Оставете фурната да се охлади и почистете остатъците от храна от нагревателя.
Когато фурната работи, от нея излиза миризма на изгоряло или пластмаса.	Във вътрешността на фурната са използвани пластмасови или други неустойчиви на топлина аксесоари.	При високи температури използвайте подходящи стъклени аксесоари.
Фурната не загарява.	Сменете предпазителя или нулирайте прекъсвача.	Затворете вратата и стартирайте отново.
	Управлението на фурната не е правилно настроено.	Прочетете раздела за работата на фурната и нулирайте фурната.
	Предпазителят е изгорял или прекъсвачът на захранването е изключен.	Сменете предпазителя или нулирайте прекъсвача. Ако това се случва често, обадете се на електротехник.
Фурната не пече добре.	Вратата на фурната се отваря често по време на готвене.	Не отваряйте често вратата на фурната, ако храната, която готвите, не изисква обръщане. Ако често отваряте вратата, вътрешната температура пада и следователно ще повлияе на резултата от готвенето.



Проблем	Възможна причина	Какво да се направи
Вътрешното осветление е слабо или не работи.	Чужд предмет покрива лампата по време на готвене.	Почистете вътрешната повърхност на фурната и проверете отново.
	Лампата може да е повредена.	Заменете с лампа със същите спецификации.

## ПРАВИЛА ЗА РАБОТА

1. Не използвайте вратата и/или дръжката на печката, за да я пренасяте или местите.
2. Преместването и транспортирането трябва да се извършва в оригиналната опаковка.
3. Бъдете много внимателни по време на товарене/разтоварване и манипулиране.
4. Проверете дали опаковката е плътно затворена при манипулиране и транспортиране.
5. Пазете опаковката от външни фактори (като влага, вода и др.), които могат да я повредят.
6. Внимавайте уредът да не бъде повреден от удари, падания, капки вода и др. по време на манипулиране и транспортиране и внимавайте да не го счупите или деформирате по време на работа.

## СЪВЕТИ ЗА ЕНЕРГОСПЕСТЯВАНЕ

Следните подробности ще Ви помогнат да използвате продукта си по екологично чист и икономичен начин.

1. Във фурната използвайте тъмни и емалирани съдове, които имат по-добра топлопреносимост.
2. Загрейте предварително фурната, докато приготвяте храната, ако рецептата или ръководството за потребителя показват, че е необходимо предварително загряване.
3. Не отваряйте често вратата на фурната по време на готвене.
4. Опитайте се да не готвите няколко ястия едновременно във фурната. Можете да готвите, като поставите едновременно два съда за готвене на рафта.
5. Гответе ястията последователно. Фурната няма да загуби топлината.
6. Изключвайте фурната няколко минути преди изтичането на времето за готвене. В този случай не отваряйте вратата на фурната.
7. Размразете замразените храни преди готвенето.

## ЕКОЛОГОСЪОБРАЗНО ОТСТРАНЯВАНЕ ОТ УПОТРЕБА



Dispose of packaging in an environmentally-friendly manner.

This appliance is labelled in accordance with European Directive 2012/19/EU concerning used electrical and electronic appliances (waste electrical and electronic equipment - WEEE). The guideline determines the frame work for the return and recycling of used appliances as applicable throughout to the EU.

## ИНФОРМАЦИЯ ЗА ОПАКОВКАТА

Опаковката на продукта е произведена от вторични суровини в съответствие с нашите национални екологични разпоредби. Не изхвърляйте опаковката заедно с битови или други отпадъци. Занесете я пунктовете за събиране на опаковъчни материали, определени от местните власти.

Αγαπητέ χρήστη,  
Σας συνιστούμε να διαβάσετε προσεκτικά το εγχειρίδιο χρήσης προτού χρησιμοποιήσετε το προϊόν και να το έχετε ανά πάσα στιγμή διαθέσιμο.

## ΣΗΜΕΙΩΣΗ

Αυτό το εγχειρίδιο χρήσης αφορά περισσότερα από ένα μοντέλα. Ορισμένες από τις λειτουργίες που αναφέρονται στο εγχειρίδιο ενδέχεται να μην υποστηρίζονται από τη συσκευή σας.

Όλες οι συσκευές προορίζονται αποκλειστικά για οικιακή και όχι για εμπορική χρήση. Η χρήση των εξαρτημάτων που επισημαίνονται με αστερίσκο (\*) είναι προαιρετική.

**Συμμορφώνεται με τους κανονισμούς ΑΗΗΕ.**

## ΣΗΜΑΝΤΙΚΕΣ ΠΡΟΕΙΔΟΠΟΙΗΣΕΙΣ!

- Οι εργασίες εγκατάστασης και επισκευής πρέπει πάντα να εκτελούνται από «ΕΞΟΥΣΙΟΔΟΤΗΜΕΝΟ ΠΡΟΣΩΠΙΚΟ ΣΕΡΒΙΣ». Ο κατασκευαστής δεν ευθύνεται για εργασίες που εκτελούνται από μη εξουσιοδοτημένα άτομα.
- Διαβάστε προσεκτικά τις οδηγίες λειτουργίας που ακολουθούν. Μόνο ακολουθώντας τις μπορείτε να χρησιμοποιήσετε τη συσκευή με ασφαλή και σωστό τρόπο.
- Ο φούρνος πρέπει να χρησιμοποιείται σύμφωνα με τις οδηγίες λειτουργίας.
- Κρατήστε τα παιδιά κάτω των 8 ετών και τα κατοικίδια ζώα μακριά από τη συσκευή κατά τη διάρκεια της λειτουργίας.
- ΠΡΟΕΙΔΟΠΟΙΗΣΗ: Τα προσβάσιμα μέρη ενδέχεται να υπερθερμανθούν όταν χρησιμοποιείται η λειτουργία του γκριλ. Κρατάτε τα παιδιά μακριά από τη συσκευή.**
- ΠΡΟΕΙΔΟΠΟΙΗΣΗ: Κίνδυνος πυρκαγιάς. Μην ακουμπάτε τα υλικά στην επιφάνεια μαγειρέματος.**
- ΠΡΟΕΙΔΟΠΟΙΗΣΗ: Η συσκευή και τα προσβάσιμα μέρη της υπερθερμαίνονται κατά τη διάρκεια της λειτουργίας.**
- Οι παράμετροι ρύθμισης αυτής της συσκευής καθορίζονται στην επισήμανση, (ή στην ετικέτα ονομαστικών χαρακτηριστικών).
- Τα προσβάσιμα μέρη ενδέχεται να υπερθερμανθούν όταν χρησιμοποιείται η λειτουργία του γκριλ. Τα μικρά παιδιά πρέπει να κρατούνται μακριά από τη συσκευή.
- ΠΡΟΕΙΔΟΠΟΙΗΣΗ: Αυτή η συσκευή προορίζεται για μαγειρική χρήση. Δεν πρέπει να χρησιμοποιείται για άλλους σκοπούς, όπως θέρμανση ενός δωματίου.**
- Για τον καθαρισμό της συσκευής, μη χρησιμοποιείτε ατμοκαθαριστές.
- Βεβαιωθείτε ότι η πόρτα του φούρνου είναι εντελώς κλειστή αφού τοποθετήσετε το φαγητό στο εσωτερικό του.
- Μην επιχειρήσετε ΠΟΤΕ να σβήσετε φωτιά με νερό! Απλώς κλείστε το κύκλωμα της συσκευής και στη συνέχεια καλύψτε τη φλόγα με ένα κατάκι ή μια κουβέρτα πυρόσβεσης.
- Τα παιδιά κάτω των 8 ετών θα πρέπει να κρατούνται μακριά από τη συσκευή, εάν δεν είναι δυνατή η συνεχής επίβλεψή τους.
- Η επαφή με τα θερμαντικά στοιχεία πρέπει να αποφεύγεται.
- ΠΡΟΣΟΧΗ: Η διαδικασία μαγειρέματος πρέπει να πραγματοποιείται υπό επίβλεψη. Η διαδικασία μαγειρέματος πρέπει να πραγματοποιείται πάντοτε υπό επίβλεψη.**
- Αυτή η συσκευή μπορεί να χρησιμοποιηθεί από παιδιά άνω των 8 ετών, άτομα με σωματικές, ακουστικές ή διανοητικές δυσκολίες ή άτομα με έλλειψη εμπειρίας ή γνώσης αρκεί να έχει διασφαλιστεί ο σωστός έλεγχος ή να τους έχουν παρασχεθεί πληροφορίες σχετικά με τους κινδύνους.
- Αυτή η συσκευή έχει σχεδιαστεί μόνο για οικιακή χρήση.
- Τα παιδιά δεν επιτρέπεται να παίζουν με τη συσκευή. Οι εργασίες καθαρισμού ή συντήρησης της συσκευής που μπορούν να πραγματοποιηθούν από τον χρήστη δεν πρέπει να εκτελούνται από παιδιά, εκτός εάν είναι μεγαλύτερα από 8 ετών και επιβλέπονται από ενήλικες.
- Διατηρείτε τη συσκευή και το καλώδιο τροφοδοσίας της μακριά από παιδιά κάτω των 8 ετών.
- Απομακρύνετε κουρτίνες, λεπτά υφάσματα (τύπου τουλί), χάρτινα αντικείμενα ή οποιοδήποτε άλλο εύφλεκτο (αναφλέξιμο) υλικό από τη συσκευή προτού τη χρησιμοποιήσετε. Μην τοποθετείτε αναφλέξιμα ή εύφλεκτα υλικά πάνω ή μέσα στη συσκευή.
- Διατηρείτε τα ανοίγματα εξαερισμού ελεύθερα.
- Η συσκευή αυτή δεν ενδείκνυται για χρήση με εξωτερικό χρονοδιακόπτη ή ξεχωριστό σύστημα απομακρυσμένης λειτουργίας.
- Μη θερμαίνετε κλειστά δοχεία αλουμινίου και γυάλινα βάζα στη συσκευή. Η πίεση που αναπτύσσεται μπορεί να οδηγήσει σε έκρηξη των βάζων.
- Η λαβή της πόρτας του φούρνου δεν πρέπει να χρησιμοποιείται για το στέγνωμα πετσετών. Μην κρεμάτε πετσέτες κ.λπ. στη λαβή της πόρτας του φούρνου για να στεγνώσουν.
- Μην τοποθετείτε ρηχά ταψιά, πιάτα ή φύλλα αλουμινίου απευθείας επάνω στον πυθμένα του φούρνου. Η συσσώρευση θερμότητας μπορεί να προκαλέσει ζημιά στον πυθμένα του φούρνου.
- Κατά την τοποθέτηση ή την αφαίρεση τροφίμων σε/από τον φούρνο κ.λπ., χρησιμοποιείται πάντα γάντια φούρνου ανθεκτικά στη θερμότητα.

28. Μη χρησιμοποιείτε το προϊόν όταν έχετε λάβει κάποια φαρμακευτική αγωγή ή/και βρίσκεστε υπό την επίρρηση αλκοόλ καθώς τέτοιου είδους καταστάσεις μπορεί να επηρεάσουν την κρίση σας.
29. Χρησιμοποιείτε με προσοχή αλκοόλ στην παρασκευή φαγητών. Σε υψηλές θερμοκρασίες το αλκοόλ εξατμίζεται και μπορεί να πάρει φωτιά με αποτέλεσμα στην εκδήλωση πυρκαγιάς εάν έρθει σε επαφή με καυτές επιφάνειες.
30. Μετά από κάθε χρήση, ελέγξτε αν η συσκευή είναι απενεργοποιημένη.
31. Εάν η συσκευή είναι ελαττωματική ή έχει ορατή βλάβη, μην τη θέτετε σε λειτουργία.
32. Μην αγγίζετε το φιν με βρεγμένα χέρια. Μην τραβάτε το καλώδιο για να το αφαιρέσετε από την πρίζα, κρατάτε πάντα το φιν.
33. Μη χρησιμοποιείτε τη συσκευή εάν το τζάμι της μπροστινής πόρτας έχει αφαιρεθεί ή σπάσει.
34. Τοποθετήστε το αντικολητικό χαρτί ψησίματος μαζί με το φαγητό σε προθερμασμένο φούρνο, τοποθετώντας το μέσα σε ένα μαγειρικό σκεύος ή πάνω σε ένα εξάρτημα φούρνου (ρηχό ταψί, μεταλλική σχάρα κ.λπ.).
35. Μην τοποθετείτε στη συσκευή αντικείμενα που μπορούν να φτάσουν τα παιδιά.
36. Είναι σημαντικό να τοποθετήσετε τη μεταλλική σχάρα και τον δίσκο σωστά στις υποδοχές ή/και να τοποθετήσετε σωστά τον δίσκο επάνω στη σχάρα. Τοποθετήστε τη σχάρα ή το ρηχό ταψί ανάμεσα σε δύο υποδοχές και βεβαιωθείτε ότι δεν γέρνουν προτού τοποθετήσετε φαγητό σε αυτά.
37. Για να αποφύγετε τον κίνδυνο εγκαύματος λόγω επαφής με τα θερμανόμενα στοιχεία του φούρνου, αφαιρέστε τα τμήματα του αντικολητικού χαρτιού ψησίματος που περισεύουν και προεξέχουν από το εξάρτημα ή το σκεύος.
38. Ποτέ μη χρησιμοποιείτε το αντικολητικό χαρτί ψησίματος σε υψηλότερες θερμοκρασίες φούρνου από τη μέγιστη θερμοκρασία χρήσης που αναγράφεται στη συσκευασία του. Μην τοποθετείτε το αντικολητικό χαρτί ψησίματος στον πυθμένα του φούρνου.
39. Όταν η πόρτα είναι ανοιχτή, μην τοποθετείτε βαριά αντικείμενα πάνω σε αυτήν και μην αφήνετε τα παιδιά να κάθονται πάνω της. Μπορεί να προκληθεί ανατροπή του φούρνου ή ζημιά στους μεντεσέδες της πόρτας.
40. Τα υλικά συσκευασίας μπορεί να αποδεχθούν επικίνδυνα για τα παιδιά! Φυλάσσετε τα υλικά συσκευασίας μακριά από παιδιά.
41. Μη χρησιμοποιείτε λειαντικά καθαριστικά ή αιχμηρές μεταλλικές ξυστρες για τον καθαρισμό του τζαμιού, καθώς οι γρατσουνιές που μπορεί να δημιουργηθούν στην επιφάνεια του τζαμιού της πόρτας μπορεί να οδηγήσουν στη θραύση του.
42. Μην τοποθετείτε τη συσκευή σε επιφάνεια καλυμμένη με χαλί. Τα ηλεκτρικά μέρη υπερθερμαίνονται, καθώς δεν υπάρχει εξαερισμός από κάτω. Λόγω αυτού θα προκληθεί βλάβη στη συσκευή.
43. Μη χτυπάτε τις γυάλινες επιφάνειες των υαλοκεραμικών εστιών με σκληρό μέταλλο, καθώς η αντίσταση μπορεί να καταστραφεί. Μπορεί να προκληθεί ηλεκτροπληξία.
44. Ο χρήστης δεν πρέπει να χειρίζεται μόνος του τον φούρνο.
45. Μπορεί να χυθεί ποσότητα φαγητού εάν το πόδι του φούρνου απουσαρμολογηθεί ή σπάσει, επομένως απαιτείται προσοχή. Μπορεί να προκληθεί τραυματισμός.
46. Κατά τη διάρκεια της χρήσης, στις εσωτερικές και εξωτερικές επιφάνειες του φούρνου αναπτύσσονται υψηλές θερμοκρασίες. Όταν ανοίγετε την πόρτα του φούρνου, κάντε ένα βήμα πίσω για να αποφύγετε τους καυτούς ατμούς που βγαίνουν από το εσωτερικό του. Υπάρχει κίνδυνος πρόκλησης εγκαύματος.
47. Το επάνω κάλυμμα του φούρνου μπορεί να είναι κλειστό για κάποιο λόγο, επομένως υπάρχει κίνδυνος ανατροπής των μαγειρικών σκευών. Κάντε ένα βήμα πίσω ώστε το καυτό φαγητό να μη χυθεί πάνω σας. Υπάρχει κίνδυνος πρόκλησης εγκαύματος.
48. Μην τοποθετείτε βαριά αντικείμενα επάνω στην πόρτα του φούρνου όταν είναι ανοιχτή, καθώς υπάρχει κίνδυνος ανατροπής.
49. Ο χρήστης δεν πρέπει να μετατοπίζει την αντίσταση κατά τη διάρκεια του καθαρισμού της συσκευής. Μπορεί να προκληθεί ηλεκτροπληξία.
50. Μην αφαιρέτε τους διακόπτες ανάφλεξης από τη συσκευή. Διαφορετικά, τα ηλεκτροφόρα καλώδια μπορεί να εκτεθούν και να είναι προσβάσιμα. Μπορεί να προκληθεί ηλεκτροπληξία.
51. Ο φούρνος μπορεί να αποσυνδεθεί από την παροχή ρεύματος κατά την εκτέλεση κατασκευαστικών εργασιών οποιουδήποτε είδους στο σπίτι. Μετά την ολοκλήρωση των εργασιών, η επανασύνδεση του φούρνου στην παροχή ρεύματος πρέπει να γίνεται από εξουσιοδοτημένο προσωπικό σέρβις.
52. Μην τοποθετείτε μεταλλικά σκεύη, όπως μαχαίρια, πιρούνια, κουτάλια, στην επιφάνεια της συσκευής, καθώς αναπτύσσονται πολύ υψηλές θερμοκρασίες.
53. Για την αποφυγή υπερθέρμανσης, η συσκευή δεν πρέπει να τοποθετείται πίσω από διακοσμητικό κάλυμμα.
54. Απενεργοποιήστε τη συσκευή προτού αφαιρέσετε τα προστατευτικά. Μετά τον καθαρισμό, εγκαταστήστε τα προστατευτικά σύμφωνα με τις οδηγίες.
55. Το σημείο στερέωσης του καλωδίου πρέπει να προστατεύεται.
56. **ΠΡΟΕΙΔΟΠΟΙΗΣΗ: Μη χρησιμοποιείτε ταυτόχρονα τους καυστήρες του φούρνου και του γκριλ.**
57. Μη μαγειρεύετε το φαγητό απευθείας στο ρηχό ταψί/στη σχάρα. Βάλτε το φαγητό μέσα ή πάνω σε κατάλληλα σκεύη πριν το τοποθετήσετε στον φούρνο.
58. Καυτή επιφάνεια, αφήστε την να κρυώσει προτού κλείσετε το κάλυμμα.
59. **ΠΡΟΣΟΧΗ: Εάν το τζάμι της πόρτας του φούρνου έχει σπάσει, απενεργοποιήστε αμέσως οποιοδήποτε θερμανόμενο στοιχείο και αποσυνδέστε τη συσκευή από την παροχή ρεύματος. Μην αγγίζετε την επιφάνεια της συσκευής και γενικά μην τη χρησιμοποιείτε.**

## Ηλεκτρολογική ασφάλεια

1. Συνδέστε τη συσκευή σε γειωμένη πρίζα που προστατεύεται από ασφάλεια η οποία συμμορφώνεται με τις τιμές που αναγράφονται στον πίνακα τεχνικών χαρακτηριστικών.
2. Απευθυνθείτε σε εξουσιοδοτημένο ηλεκτρολόγο για την εγκατάσταση του εξοπλισμού γείωσης. Η εταιρεία μας δεν ευθύνεται για ζημιές που θα προκύψουν από τη χρήση του προϊόντος χωρίς γείωση κατά παράβαση των τοπικών κανονισμών.
3. Οι διακόπτες των κυκλωμάτων του φούρνου πρέπει να είναι τοποθετημένοι έτσι ώστε ο τελικός χρήστης να μπορεί να τους φτάσει κατά την εγκατάσταση του φούρνου.
4. Το καλώδιο τροφοδοσίας (το καλώδιο με το φικ) δεν πρέπει να έρχεται σε επαφή με τα καυτά μέρη της συσκευής.
5. Εάν το καλώδιο τροφοδοσίας (το καλώδιο με το φικ) έχει υποστεί ζημιά, πρέπει να αντικατασταθεί από τον κατασκευαστή ή τον αντιπρόσωπο σέρβις του ή από εξίσου εξειδικευμένο προσωπικό για να αποφευχθούν τυχόν επικίνδυνες καταστάσεις.
6. Ποτέ μην καθαρίζετε τη συσκευή ψεκάζοντας ή ρίχνοντας νερό πάνω της! Υπάρχει κίνδυνος ηλεκτροπληξίας!
7. ΠΡΟΕΙΔΟΠΟΙΗΣΗ: Για να αποφύγετε την ηλεκτροπληξία, βεβαιωθείτε ότι το κύκλωμα της συσκευής είναι ανοιχτό προτού αλλάξετε τη λάμπα.
8. ΠΡΟΕΙΔΟΠΟΙΗΣΗ: Διακόψτε όλες τις συνδέσεις του κυκλώματος τροφοδοσίας προτού προσπελάσετε τους ακροδέκτες.
9. ΠΡΟΕΙΔΟΠΟΙΗΣΗ: Εάν η επιφάνεια έχει ρωγμές, μη χρησιμοποιείτε τη συσκευή, καθώς υπάρχει κίνδυνος ηλεκτροπληξίας.
10. Μη χρησιμοποιείτε κομμένα καλώδια, καλώδια που έχουν υποστεί ζημιά ή καλώδια προέκτασης διαφορετικού τύπου από το αρχικό καλώδιο.
11. Βεβαιωθείτε ότι δεν υπάρχει υγρό ή υγρασία στην πρίζα όπου είναι συνδεδεμένο το φικ της συσκευής.
12. Η πίσω επιφάνεια του φούρνου θερμαίνεται επίσης όταν ο φούρνος λειτουργεί. Οι ηλεκτρικές συνδέσεις δεν πρέπει να αγγίζουν την πίσω επιφάνεια, διαφορετικά οι συνδέσεις μπορεί να υποστούν ζημιά.
13. Μην τεντώνετε τα καλώδια σύνδεσης προς την πόρτα του φούρνου και μην τα περνάτε πάνω από καυτές επιφάνειες. Εάν το καλώδιο λιώσει, μπορεί να προκληθεί βραχυκύκλωμα στον φούρνο, ακόμη και πυρκαγιά.
14. Αποσυνδέστε τη συσκευή από την πρίζα κατά τη διάρκεια των εργασιών εγκατάστασης, συντήρησης, καθαρισμού και επισκευής, συσκευής, διαφορετικά μπορεί να προκληθεί ηλεκτροπληξία.
15. Εάν το καλώδιο τροφοδοσίας έχει υποστεί ζημιά, πρέπει να αντικατασταθεί από τον κατασκευαστή ή από εξουσιοδοτημένο τεχνικό προσωπικό σέρβις ή από οποιοδήποτε άλλο εξίσου καταρτισμένο προσωπικό προκειμένου να αποφευχθεί οποιαδήποτε επικίνδυνη κατάσταση.
16. Βεβαιωθείτε ότι το φικ είναι καλά τοποθετημένο στην πρίζα για την αποφυγή σπινθηρισμών.
17. Μη χρησιμοποιείτε ατμοκαθαριστές για τον καθαρισμό της συσκευής, διαφορετικά μπορεί να προκληθεί ηλεκτροπληξία.
18. Για την εγκατάσταση απαιτείται ένας πολυπολικός διακόπτης ικανός να διακόπτει την παροχή ρεύματος. Η αποσύνδεση από την παροχή ρεύματος πρέπει να γίνεται με διακόπτη ή ενσωματωμένη ασφάλεια που είναι εγκατεστημένη στη σταθερή εγκατάσταση παροχής ρεύματος σύμφωνα με τον οικοδομικό κανονισμό.
19. Οι σταθερές συνδέσεις πρέπει να συνδέονται σε παροχή σύνδεσης που επιτρέπει την αποσύνδεση μέσω πολυπολικού διακόπτη. Για συσκευές κατηγορίας υπέρτασης κάτω από III, η συσκευή αποσύνδεσης πρέπει να συνδέεται σε σταθερή εγκατάσταση παροχής ρεύματος σύμφωνα με τον κώδικα καλωδίωσης.

## Προβλεπόμενη χρήση

1. Η συσκευή αυτή έχει σχεδιαστεί μόνο για οικιακή χρήση. Τυχόν εμπορική χρήση δεν επιτρέπεται.
2. Αυτή η συσκευή μπορεί να χρησιμοποιείται μόνο για μαγειρικούς σκοπούς. Δεν πρέπει να χρησιμοποιείται για άλλους σκοπούς, όπως η θέρμανση ενός δωματίου.
3. Αυτή η συσκευή δεν πρέπει να χρησιμοποιείται για τη θέρμανση πλακών κάτω από το γκριλ, το στέγνωμα ρούχων ή πετστών με το κρέμασμά τους στη λαβή της πόρτας ή για σκοπούς θέρμανσης.
4. Ο κατασκευαστής δεν αναλαμβάνει καμία ευθύνη για τυχόν ζημιές που οφείλονται σε εσφαλμένη χρήση ή κακό χειρισμό της συσκευής.
5. Ο φούρνος της συσκευής μπορεί να χρησιμοποιηθεί για απόψυξη, ψήσιμο, τηγάνισμα και ψήσιμο στο γκριλ.

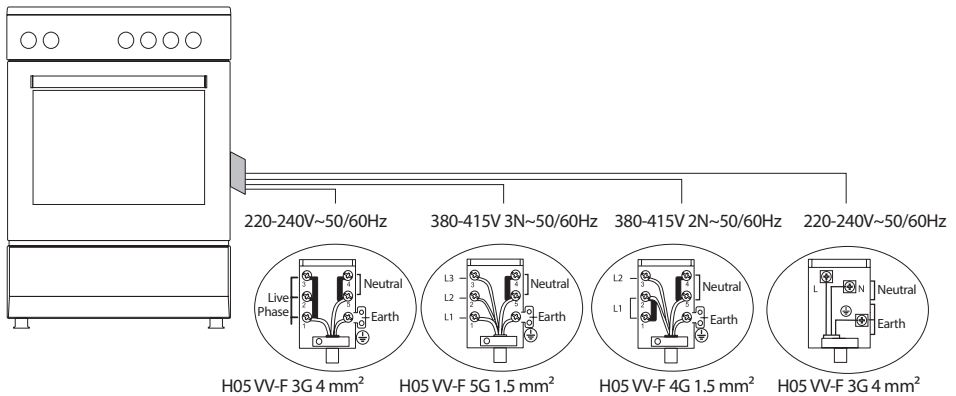
## Ηλεκτρική σύνδεση

1. Ο φούρνος σας απαιτεί ασφάλεια 40A για μονοφασική τροφοδοσία ή 3x16A για τριφασική τροφοδοσία ανάλογα με την ηλεκτρική ισχύ για το τμήμα της κουζίνας που διαθέτει 4 κεραμικές εστίες και το τμήμα του φούρνου που διαθέτει ηλεκτρικές αντιστάσεις. Η εγκατάσταση πρέπει να γίνεται υποχρεωτικά από εξειδικευμένο ηλεκτρολόγο.
2. Η ρύθμιση του φούρνου σας έχει γίνει σε συμμόρφωση με την παροχή ρεύματος 220/240V / 380-415V AC, 50/60Hz. Εάν οι προδιαγραφές του δικτύου ηλεκτροδότησης διαφέρουν από τις καθορισμένες τιμές, επικοινωνήστε με εξουσιοδοτημένο προσωπικό σέρβις.
3. Η ηλεκτρική σύνδεση του φούρνου πρέπει να πραγματοποιείται μόνο σε συνδέσεις/πρίζες με σύστημα γείωσης εγκατεστημένο σύμφωνα με τους τοπικούς κανονισμούς. Εάν δεν υπάρχουν συνδέσεις/πρίζες με σύστημα γείωσης στη θέση εγκατάστασης

του φούρνου, επικοινωνήστε αμέσως με έναν εξειδικευμένο ηλεκτρολόγο για την εγκατάσταση. Ο κατασκευαστής δεν ευθύνεται για ζημιές που θα προκύψουν λόγω μη σύνδεσης της συσκευής σε σύστημα γείωσης.

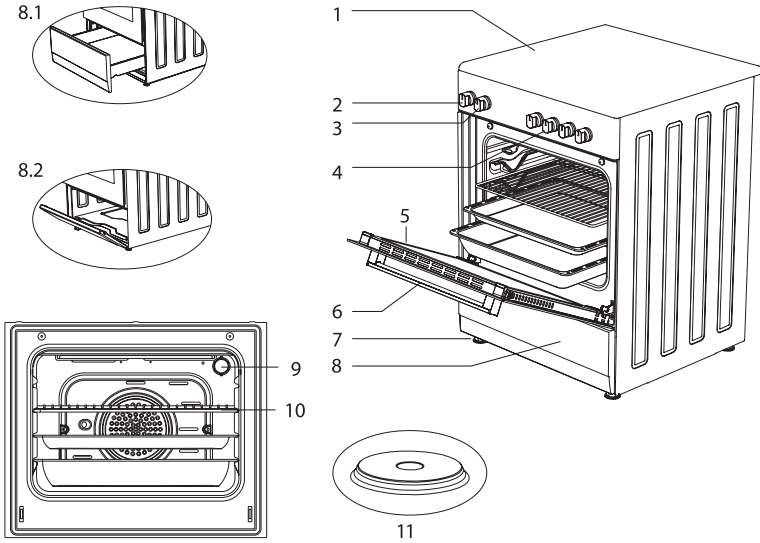
4. Εάν το καλώδιο τροφοδοσίας υποστεί ζημιά, θα πρέπει να αντικατασταθεί από εξουσιοδοτημένο αντιπρόσωπο σέρβις ή εξειδικευμένο ηλεκτρολόγο, προκειμένου να αποφευχθεί τυχόν κίνδυνος ή ηλεκτροπληξία.
5. Το ηλεκτρικό καλώδιο δεν πρέπει να έρχεται σε επαφή με τα καυτά μέρη της συσκευής.
6. Λειτουργήστε τον φούρνο σας σε ξηρά περιβάλλοντα.
7. Κατά την εγκατάσταση του φούρνου στην προβλεπόμενη θέση του, βεβαιωθείτε ότι βρίσκεται στο ίδιο επίπεδο με τον πάγκο. Ευθυγραμμίστε τον με το επίπεδο του πάγκου ρυθμίζοντας τα πόδια, εάν είναι απαραίτητα.

## Διάγραμμα ηλεκτρικής σύνδεσης



# ΠΑΡΟΥΣΙΑΣΗ ΤΗΣ ΣΥΣΚΕΥΗΣ

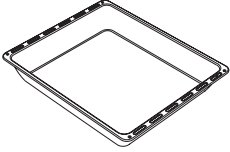
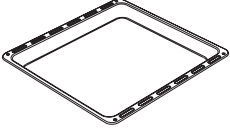
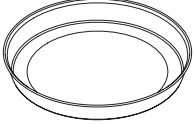
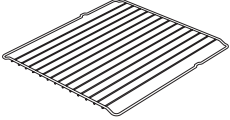
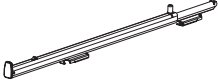
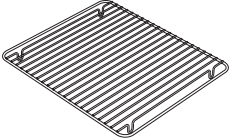
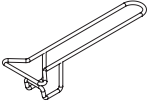
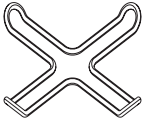
Μοντέλα: CS5400SW, CS6400SW, CS5400SX, CS6400SX,



1. Γυάλινη επάνω επιφάνεια
2. Κουμπί θερμοστάτη
3. Κουμπί εντολών λειτουργίας φούρνου
4. Κουμπιά ρύθμισης υαλοκεραμικών εστιών
5. Πόρτα φούρνου
6. Λαβή
7. Πλαστικό πόδι

8. Πόρτα κάτω θήκης
  - 8.1. Συρτάρι
  - 8.2. Πτυσσόμενο πορτάκι
9. Λάμπα
10. Γκριλ
11. Θερμαινόμενη πλάκα (145 mm ή 185 mm)

## Παρελκόμενα

	<p><b>Βαθύ ταψί*</b> Χρησιμοποιείται για γλυκά, μεγάλα κομμάτια προς ψήσιμο, υδαρή φαγητά. Μπορεί επίσης να χρησιμοποιηθεί ως δοχείο συλλογής λαδιού εάν ψήνεται κέικ, κατεψυγμένα τρόφιμα και κρεατικά απευθείας επάνω στη σχάρα.</p>
	<p><b>Ρηχό ταψί / Γυάλινο ταψί*</b> Χρησιμοποιείται για την παρασκευή ειδών ζαχαροπλαστικής (μαλακά και σκληρά μπισκότα κ.λπ.), κατεψυγμένα τρόφιμα.</p>
	<p><b>Κυκλικό ταψί*</b> Χρησιμοποιείται για κατεψυγμένα είδη ζαχαροπλαστικής.</p>
	<p><b>Μεταλλική σχάρα</b> Χρησιμοποιείται για το ψήσιμο ή την τοποθέτηση τροφίμων προς ψήσιμο, ψήσιμο σε υψηλές θερμοκρασίας και μαγείρεμα κατεψυγμένων τροφίμων στην επιθυμητή θέση.</p>
	<p><b>Τηλεσκοπική ράγα*</b> Τα ρηχά ταψιά και οι μεταλλικές σχάρες μπορούν να αφαιρούνται και να τοποθετούνται εύκολα χάρη στις τηλεσκοπικές ράγες.</p>
	<p><b>Σχάρα ρηχού ταψιού*</b> Τα φαγητά που έχουν την τάση να κολλάνε κατά το μαγείρεμα, όπως οι μπριζόλες, τοποθετούνται στη σχάρα του ρηχού ταψιού. Επομένως, η άμεση επαφή του φαγητού και συνεπακόλουθα η προσκόλλησή του στο ρηχό ταψί αποφεύγονται.</p>
	<p><b>Λαβή ρηχού ταψιού*</b> Χρησιμοποιείται για τη διαχείριση καυτών ρηχών ταψιών.</p>
	<p><b>Μονάδα τοποθέτησης καφετιέρας*</b> Μπορεί να χρησιμοποιηθεί για την τοποθέτηση της καφετιέρας.</p>

## Τεχνικά χαρακτηριστικά της συσκευής σας

Χαρακτηριστικά	50x55	50x60	60x60
Πλάτος εξωτερικής πλευράς	500 mm	500 mm	600 mm
Βάθος εξωτερικής πλευράς	565 mm	630 mm	630 mm
Ύψος εξωτερικής πλευράς	855 mm	855 mm	855 mm
Ισχύς λάμπας	15-25 W		
Κάτω αντίσταση	1000 W	1000 W	1200 W
Πάνω αντίσταση	800 W	800 W	1000 W
Αντίσταση turbo	-----	1800 W	2200 W
Αντίσταση γκριλ	1500 W	1500 W	2000 W
Τάση τροφοδοσίας	220-240V AC/380-415V AC 50/60 Hz		
Θερμαινόμενη πλάκα 145 mm *	1000 W		
Θερμαινόμενη πλάκα 180 mm *	1500 W		
Ταχέως θερμαινόμενη πλάκα 145 mm *	1500 W		
Ταχέως θερμαινόμενη πλάκα 180 mm *	2000 W		

**ΠΡΟΕΙΔΟΠΟΙΗΣΗ!**

- **ΠΡΟΕΙΔΟΠΟΙΗΣΗ:** Για κάθε τροποποίηση που πρέπει να πραγματοποιήσει το εξουσιοδοτημένο προσωπικό σέρβις, θα πρέπει να λαμβάνεται υπόψη αυτός ο πίνακας. Ο κατασκευαστής δεν μπορεί να θεωρηθεί υπεύθυνος για τυχόν προβλήματα που προκύπτουν εξαιτίας οποιασδήποτε ελαττωματικής τροποποίησης.
- **ΠΡΟΕΙΔΟΠΟΙΗΣΗ:** Προς ενίσχυση της ποιότητας του προϊόντος, τα τεχνικά χαρακτηριστικά ενδέχεται να τροποποιηθούν χωρίς προηγούμενη ειδοποίηση.
- **ΠΡΟΕΙΔΟΠΟΙΗΣΗ:** Οι τιμές που παρέχονται με τη συσκευή ή τη συνοδευτική της τεκμηρίωση είναι αποτέλεσμα εργαστηριακών μετρήσεων σύμφωνα με τα αντίστοιχα πρότυπα. Οι τιμές αυτές ενδέχεται να διαφέρουν ανάλογα με τη χρήση και τις συνθήκες περιβάλλοντος.



## ΕΓΚΑΤΑΣΤΑΣΗ ΣΥΣΚΕΥΗΣ

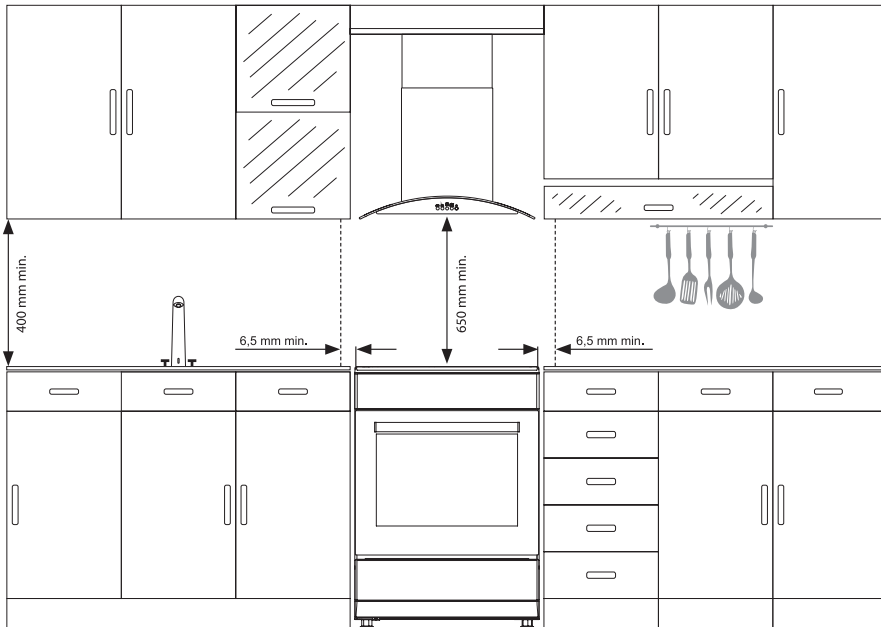
Ελέγξτε αν πληρούνται οι απαιτήσεις ηλεκτρικής εγκατάστασης ώστε η συσκευή να τεθεί σε κατάσταση λειτουργίας. Εάν η ηλεκτρική εγκατάσταση δεν πληροί τις προϋποθέσεις, καλέστε έναν ηλεκτρολόγο και έναν υδραυλικό για να προβούν στις απαιτούμενες ρυθμίσεις των δικτύων κοινής ωφέλειας. Ο κατασκευαστής δεν ευθύνεται για ζημιές που προκαλούνται στο πλαίσιο της πραγματοποίησης εργασιών από μη εξουσιοδοτημένα άτομα.

### ⚠ ΠΡΟΕΙΔΟΠΟΙΗΣΗ!

- **ΠΡΟΕΙΔΟΠΟΙΗΣΗ:** Αποτελεί ευθύνη του πελάτη να προετοιμάσει τη θέση στην οποία θα εγκατασταθεί το προϊόν και να προετοιμάσει την ηλεκτρική εγκατάσταση.
- **ΠΡΟΕΙΔΟΠΟΙΗΣΗ:** Κατά την εγκατάσταση του προϊόντος πρέπει να τηρούνται οι κανόνες των τοπικών προτύπων σχετικά με τις ηλεκτρικές εγκαταστάσεις.
- **ΠΡΟΕΙΔΟΠΟΙΗΣΗ:** Ελέγξτε για τυχόν ζημιές που ενδεχομένως φέρει η συσκευή προτού την εγκαταστήσετε. Μην εγκαθιστάτε τη συσκευή εάν έχει υποστεί ζημιά. Τα προϊόντα που έχουν υποστεί ζημιά αποτελούν κίνδυνο για την ασφάλειά σας.

### Σωστή θέση εγκατάστασης και σημαντικές προειδοποιήσεις

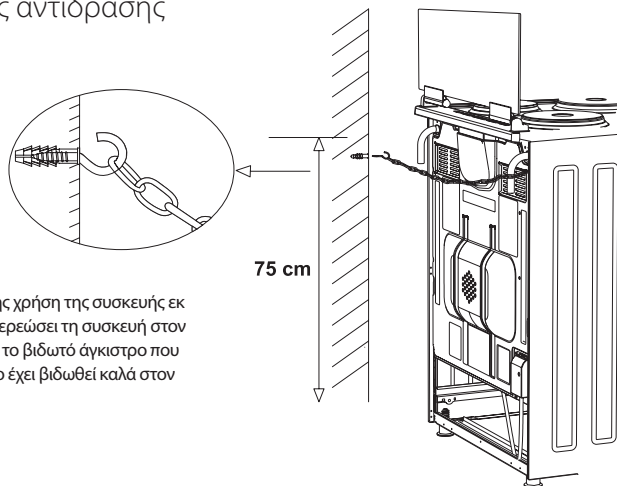
- Τα πόδια της συσκευής δεν πρέπει να ακουμπούν σε μαλακές επιφάνειες, όπως χαλιά. Το δάπεδο της κουζίνας πρέπει να είναι ανθεκτικό ώστε να αντέχει το βάρος της συσκευής και οποιοδήποτε άλλο μαγειρικού σκεύους χρησιμοποιηθεί στον φούρνο.
- Σε περίπτωση εντοιχισμού της συσκευής σε έπιπλο κουζίνας, πρέπει να υπάρχει απόσταση τουλάχιστον 400 mm από τις επάνω επιφάνειες εστίων και 65 mm από τις πλευρικές επιφάνειες.
- Η εγκατάσταση της συσκευής είναι δυνατή χωρίς κάποιο είδος υποστήριξης και στα δύο πλευρικά τοιχώματα ή χωρίς να γίνει εγκατάσταση σε ντουλάπι. Σε περίπτωση εγκατάστασης απορροφητήρα ή απορροφητήρα καμινάδας επάνω από την κουζίνα, ακολουθήστε τις οδηγίες του κατασκευαστή σχετικά με το ύψος της εγκατάστασης. (ελάχιστο 650 mm)



### ⚠ ΠΡΟΕΙΔΟΠΟΙΗΣΗ!

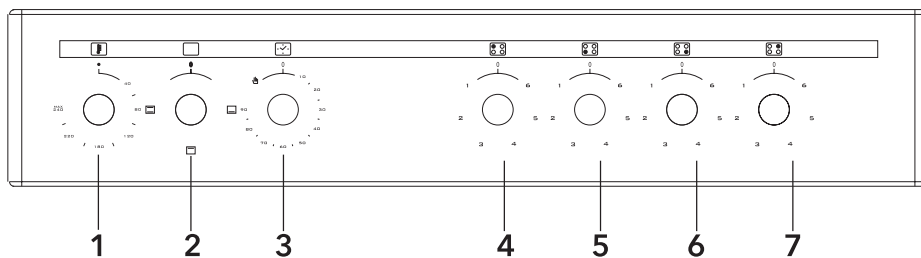
- **ΠΡΟΕΙΔΟΠΟΙΗΣΗ:** Τα έπιπλα κουζίνας που βρίσκονται κοντά στη συσκευή θα πρέπει να είναι ανθεκτικά στη θερμότητα.
- **ΠΡΟΕΙΔΟΠΟΙΗΣΗ:** Μην εγκαθιστάτε τη συσκευή δίπλα σε ψυγεία ή καταψύκτες. Λόγω της θερμότητας που εκπέμπεται από τη συσκευή, η κατανάλωση ενέργειας των συσκευών ψύξης αυξάνεται.
- **ΠΡΟΕΙΔΟΠΟΙΗΣΗ:** Μη χρησιμοποιείτε την πόρτα ή/και τη λαβή για να μεταφέρετε ή να μετακινήσετε τη συσκευή.

## Απεικόνιση αλυσιδωτής αντίδρασης



Προκειμένου να διασφαλιστεί η ασφαλής χρήση της συσκευής εκ των προτέρων, βεβαιωθείτε ότι έχετε στερεώσει τη συσκευή στον τοίχο χρησιμοποιώντας την αλυσίδα και το βιδωτό άγκιστρο που παρέχονται. Βεβαιωθείτε ότι το άγκιστρο έχει βιδωθεί καλά στον τοίχο.

## ΠΙΝΑΚΑΣ ΟΡΓΑΝΩΝ

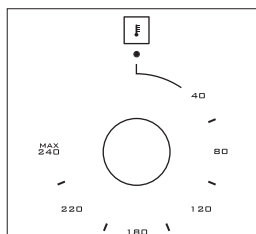


- |                                  |                                     |
|----------------------------------|-------------------------------------|
| 1. Θερμοστάτης                   | 5. Μπροστά αριστερή ηλεκτρική εστία |
| 2. Κουμπί επιλογής λειτουργίας   | 6. Μπροστά δεξιά ηλεκτρική εστία    |
| 3. Μηχανικός χρονοδιακόπτης*     | 7. Πίσω δεξιά ηλεκτρική εστία       |
| 4. Πίσω αριστερή ηλεκτρική εστία |                                     |

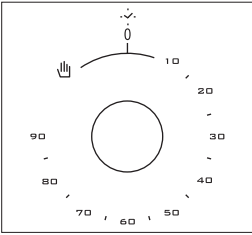


### ΠΡΟΕΙΔΟΠΟΙΗΣΗ!

Ο πίνακας οργάνων που περιγράφεται παραπάνω εξυπηρετεί μόνο σκοπούς απεικόνισης. Ο πίνακας οργάνων της συσκευής σας μπορεί να διαφέρει.



**Θερμοστάτης:** Χρησιμοποιείται για τον καθορισμό της θερμοκρασίας μαγειρέματος του φαγητού που τοποθετείται στον φούρνο. Μετά την τοποθέτηση του φαγητού μέσα στον φούρνο, γυρίστε τον διακόπτη για να ρυθμίσετε την επιθυμητή θερμοκρασία μεταξύ 40-240 °C. Για τις θερμοκρασίες μαγειρέματος ανάλογα με το είδος φαγητού, ανατρέξτε στον πίνακα μαγειρέματος.



**Μηχανικός χρονοδιακόπτης\*:** Χρησιμοποιείται για τον προσδιορισμό του χρόνου μαγειρέματος στον φούρνο. Όταν ο καθορισμένος χρόνος συμπληρωθεί, η παροχή ισχύος στα θερμαινόμενα στοιχεία διακόπτεται και εκπέμπεται ένα ηχητικό προειδοποιητικό σήμα. Ο μηχανικός χρονοδιακόπτης μπορεί να οριστεί στην επιθυμητή διάρκεια που κυμαίνεται από 0 έως 90 λεπτά. Για του χρόνους μαγειρέματος, ανατρέξτε στον πίνακα μαγειρέματος.

## ΧΡΗΣΗ ΤΟΥ ΦΟΥΡΝΟΥ

### Χρήση θερμαινόμενων στοιχείων φούρνου

1. Όταν ο φούρνος σας τεθεί για πρώτη φορά σε λειτουργία, θα διαχυθεί στον χώρο μια μυρωδιά λόγω της λειτουργίας των θερμαινόμενων στοιχείων. Για να εξαλείψετε τη μυρωδιά, λειτουργήστε τη συσκευή άδεια στους 240 °C για 45-60 λεπτά.
2. Το κουμπί ρύθμισης του φούρνου πρέπει να είναι γυρισμένο στην επιθυμητή τιμή, διαφορετικά ο φούρνος δεν λειτουργεί.
3. Τα είδη των γευμάτων, οι χρόνοι μαγειρέματος και οι θέσεις του θερμοστάτη δίνονται στον πίνακα μαγειρέματος. Οι τιμές που αναγράφονται στον πίνακα μαγειρέματος είναι χαρακτηριστικές τιμές και προέκυψαν ως αποτέλεσμα των δοκιμών που πραγματοποιήθηκαν στο εργαστήριό μας. Μπορείτε να βρείτε διαφορετικές γεύσεις που θα ικανοποιήσουν τις προτιμήσεις σας, ανάλογα με τις συνήθειες μαγειρέματος και χρήσης που έχετε.
4. Χρησιμοποιώντας τα κατάλληλα εξαρτήματα, το κοτόπουλο μπορεί να περιστρέφεται στο εσωτερικό του φούρνου για ομοιόμορφο ψήσιμο.
5. Χρόνοι μαγειρέματος: Τα μαγειρικά αποτελέσματα μπορεί να διαφέρουν ανάλογα με την τάση του τοπικού δικτύου και τη διαφορετική ποιότητα ή ποσότητα του υλικού, αλλά και τις θερμοκρασίες μαγειρέματος.
6. Κατά τη διάρκεια του μαγειρέματος στον φούρνο, η πόρτα του φούρνου δεν πρέπει να ανοίγει συχνά. Διαφορετικά, η κυκλοφορία της θερμότητας ενδέχεται να διαταραχθεί και τα αποτελέσματα να αλλάξουν.

### Χρήση του γκριλ

1. Όταν τοποθετείτε τη σχάρα στην επάνω θέση ψησίματος, το φαγητό δεν πρέπει να ακουμπά στις αντιστάσεις του γκριλ.
2. Μπορείτε να προθερμάνετε τον φούρνο για 5 λεπτά στη λειτουργία γκριλ. Εάν είναι απαραίτητο, μπορείτε να γυρίσετε το φαγητό.
3. Το φαγητό που μαγειρεύεται πρέπει να τοποθετείται στο κέντρο της σχάρας, ώστε να εξασφαλίζεται η μέγιστη δυνατή ροή αέρα στο εσωτερικό του φούρνου.

#### Για να ενεργοποιήσετε τη λειτουργία γκριλ:

1. Γυρίστε το κουμπί επιλογής λειτουργίας στο σύμβολο του γκριλ.
2. Στη συνέχεια, ορίστε την επιθυμητή θερμοκρασία ψησίματος στο γκριλ.

#### Για να απενεργοποιήσετε τη λειτουργία γκριλ:

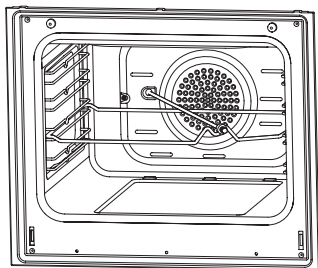
Γυρίστε το κουμπί επιλογής λειτουργίας στη θέση απενεργοποίησης.



#### ΠΡΟΕΙΔΟΠΟΙΗΣΗ!

Κρατήστε την πόρτα του φούρνου κλειστή κατά τη διάρκεια του ψησίματος στο γκριλ (ηλεκτρικό γκριλ).

## Χρήση της σουβλας ψησίματος\*



Τοποθετήστε τη σουβλα στο πλαίσιο. Ωθήστε τη σουβλα μέσα στον φούρνο στο επιθυμητό ύψος. Τοποθετήστε ένα δοχείο στο κάτω μέρος του φούρνου για τη συλλογή του λίπους. Προσθέστε λίγο νερό στο ταψί συλλογής για να μπορείτε να το καθαρίσετε εύκολα μετά το μαγείρεμα. Μην ξεχάσετε να αφαιρέσετε το πλαστικό τμήμα από τη σουβλα. Μετά το ψήσιμο στο γκριλ, βιδώστε το πλαστικό τμήμα στη σουβλα και βγάλτε το φαγητό από το φούρνο.

Εικόνα 15

## Χρήση θερμαινόμενων πλακών

	Στάθμη 1	Στάθμη 2	Στάθμη 3	Στάθμη 4	Στάθμη 5	Στάθμη 6
80 mm	200 W	250 W	450 W	---	---	---
145 mm	250 W	750 W	1000 W	---	---	---
180 mm	500 W	750 W	1500 W	---	---	---
145 mm ταχείας θέρμανσης	500 W	1000 W	1500 W	---	---	---
180 mm ταχείας θέρμανσης	850 W	1150 W	2000 W	---	---	---
145 mm	95 W	155 W	250 W	400 W	750 W	1000 W
180 mm	115 W	175 W	250 W	600 W	850 W	1500 W
145 mm ταχείας θέρμανσης	135 W	165 W	250 W	500 W	750 W	1500 W
180 mm ταχείας θέρμανσης	175 W	220 W	300 W	850 W	1150 W	2000 W
220 mm	220 W	350 W	560 W	910 W	1460 W	2000 W

1. Οι ηλεκτρικές θερμαινόμενες πλάκες έχουν κατά βάση 6 στάθμες θερμοκρασίας (όπως περιγράφεται παραπάνω).
2. Κατά την πρώτη χρήση, λειτουργήστε την ηλεκτρική θερμαινόμενη πλάκα στη στάθμη 6 για 5 λεπτά. Με αυτόν τον τρόπο το θερμοευαίσθητο υλικό της θερμαινόμενης πλάκας θα σκληρύνει λόγω της καύσης.
3. Προτιμήστε στο μέτρο του δυνατό επίπεδες κατασρόλες που επάγουν πλήρως τη θερμότητα προκειμένου να αξιοποιήσετε την ενέργεια με πιο παραγωγικό τρόπο.



### ΠΡΟΕΙΔΟΠΟΙΗΣΗ!

Λόγω της εντατικής χρήσης της συσκευής, οι δακτύλιοι των θερμαινόμενων πλακών και τα γύρω σημεία μπορεί να αλλάξουν χρώμα! Σε αυτή την περίπτωση, οι επεμβάσεις από το προσωπικό σέρβις δεν καλύπτονται από την εγγύηση.



Σωστό



Λάθος



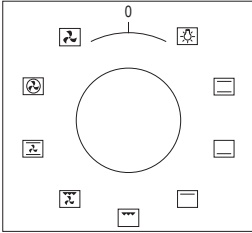
Λάθος



Λάθος

# ΤΥΠΟΙ ΠΡΟΓΡΑΜΜΑΤΩΝ

Μοντέλα: CS5400SW, CS6400SW, CS5400SX, CS6400SX



**Κουμπί επιλογής λειτουργίας:** Χρησιμοποιείται για τον καθορισμό της θερμοκρασίας μαγειρέματος του φαγητού που τοποθετείται στον φούρνο. Οι τύποι των θερμαινόμενων στοιχείων που μπορούν να επιλεγούν με αυτό το κουμπί και οι λειτουργίες τους περιγράφονται παρακάτω. Ενδέχεται να μην υποστηρίζονται όλοι οι τύποι θερμαινόμενων στοιχείων σε όλα τα μοντέλα.

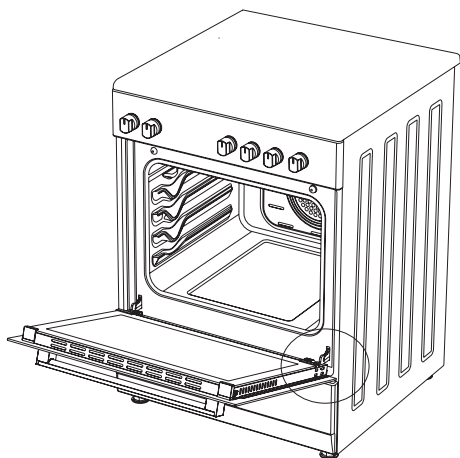
	Σούβλα		Ανεμιστήρας
	Πάνω + Κάτω αντίσταση		Αντίσταση turbo + Ψήσιμο στον αέρα
	Λάμπα		Κάτω + Επάνω αντιστάσεις + Ψήσιμο στον αέρα
	Κάτω αντίσταση + Ψήσιμο στον αέρα		Αντίσταση γκριλ + Ψήσιμο στον αέρα
	Αντίσταση γκριλ		Καυστήρας γκριλ / Αντίσταση γκριλ
	Αντίσταση γκριλ + Λάμπα		Πάνω αντίσταση
	Ηλεκτρικός χρονοδιακόπτης		Καυστήρας φούρνου / Κάτω αντίσταση



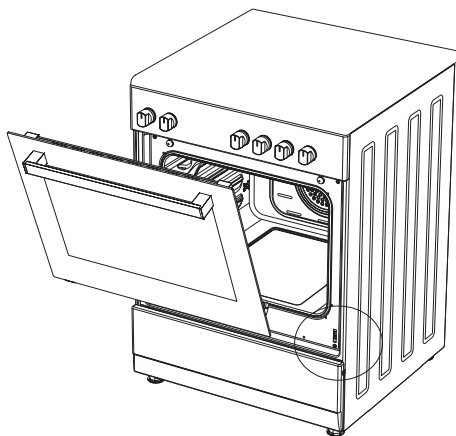
## ΠΡΟΕΙΔΟΠΟΙΗΣΗ!

Ενδέχεται να μην υποστηρίζονται όλοι οι τύποι θερμαινόμενων στοιχείων σε όλα τα μοντέλα.

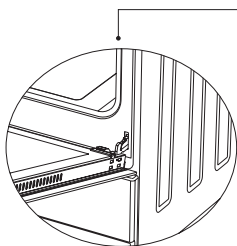
## ΤΟΠΟΘΕΤΗΣΗ ΠΟΡΤΑΣ ΦΟΥΡΝΟΥ



Εικόνα 1

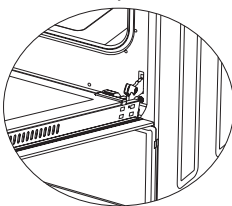


Εικόνα 2



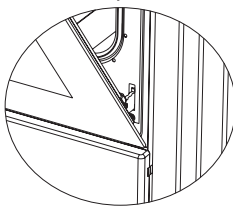
Εικόνα 1.1

Ανοίξτε πλήρως την πόρτα του φούρνου τραβώντας την προς το μέρος σας. Συνεχίστε με τη διαδικασία απασφάλισης τραβώντας τον μηχανισμό ασφάλισης του μεντεσέ προς τα πάνω με τη βοήθεια ενός κατσαβιδιού, όπως φαίνεται στην εικόνα 1.1.



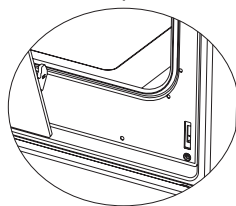
Εικόνα 1.2

Μετακινήστε τον μηχανισμό ασφάλισης στην πιο ακραία θέση, όπως φαίνεται στην εικόνα 1.2. Μετακινήστε και τους δύο μεντεσέδες που συνδέουν την πόρτα με τον φούρνο στην ίδια θέση.



Εικόνα 2.1

Στη συνέχεια, κλείστε την πόρτα του φούρνου έτσι ώστε να ακουμπά στον μηχανισμό ασφάλισης του μεντεσέ, όπως φαίνεται στην εικόνα 2.1.



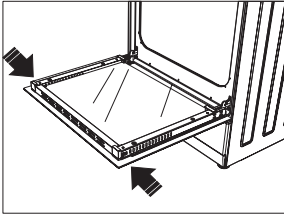
Εικόνα 2.2

Για να αφαιρέσετε την πόρτα του φούρνου, τραβήξτε την προς τα πάνω κρατώντας την και με τα δύο χέρια όταν βρίσκεται κοντά στην κλειστή θέση, όπως φαίνεται στην εικόνα 2.2.

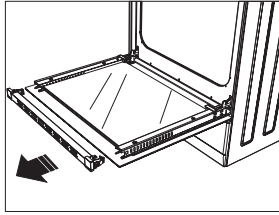
Για να επανατοποθετήσετε την πόρτα του φούρνου, ακολουθήστε την αντίστροφη διαδικασία.

## Καθαρισμός και συντήρηση της μπροστινής γυάλινης πόρτας του φούρνου

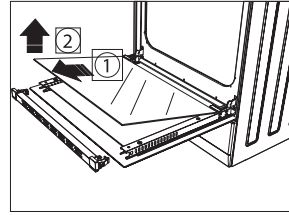
Αφαιρέστε το προφίλ πιέζοντας τα πλαστικά μάνδρα τόσο στην αριστερή όσο και στη δεξιά πλευρά της πόρτας, όπως φαίνεται στην εικόνα 3, και τραβώντας το προφίλ προς το μέρος σας, όπως φαίνεται στην εικόνα 4. Στη συνέχεια, αφαιρέστε το εσωτερικό τζάμι της πόρτας όπως φαίνεται στην εικόνα 5. Εάν είναι απαραίτητο, το μεσαίο τζάμι μπορεί να αφαιρεθεί με τον ίδιο τρόπο. Μόλις ολοκληρώσετε τον καθαρισμό και τη συντήρηση, επανατοποθετήστε τα γυάλινα πάνελ και το προφίλ με την αντίστροφη σειρά. Βεβαιωθείτε ότι το προφίλ έχει τοποθετηθεί σωστά στη θέση του.



Εικόνα 3



Εικόνα 4



Εικόνα 5

### Καταλυτικά τοιχώματα\*

Τα καταλυτικά τοιχώματα βρίσκονται στην αριστερή και τη δεξιά πλευρά του θαλάμου του φούρνου κάτω από τους οδηγούς. Τα καταλυτικά τοιχώματα εξαλείφουν τις δυσάρεστες οσμές και εξασφαλίζουν τη βέλτιστη απόδοση της συσκευής μαγειρέματος. Τα καταλυτικά τοιχώματα απορροφούν επίσης τα υπολείμματα λαδιού και καθαρίζουν το φούρνο σας ενόσω αυτός λειτουργεί.

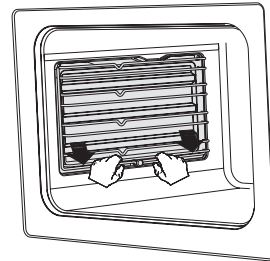
### Αφαίρεση των καταλυτικών τοιχωμάτων

Για να αφαιρέσετε τα καταλυτικά τοιχώματα, πρέπει να τραβήξετε τους οδηγούς προς τα έξω. Μόλις οι οδηγοί τραβηχτούν προς τα έξω, τα καταλυτικά τοιχώματα αποδεσμεύονται αυτόματα. Τα καταλυτικά τοιχώματα πρέπει να αντικαθίστανται κάθε 2-3 χρόνια.

### Θέσεις σχαρών

Η σωστή τοποθέτηση της μεταλλικής σχάρας στο εσωτερικό του φούρνου είναι σημαντική. Μη στρώχνετε τη σχάρα σε βαθμό που να αγγίζει το πίσω τοίχωμα του φούρνου. Οι θέσεις των σχαρών απεικονίζονται στην επόμενη εικόνα. Μπορείτε να τοποθετήσετε τα βαθιά ή κλασικά ταψιά ψησίματος στις κάτω και στις επάνω σχάρες.

Εικόνα 6

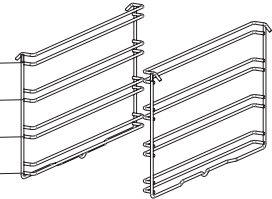


Σχάρα 4

Σχάρα 3

Σχάρα 2

Σχάρα 1



### Τοποθέτηση και αφαίρεση των μεταλλικών σχαρών

Για να αφαιρέσετε τις μεταλλικές σχάρες, πιέστε τα κλιπ που απεικονίζονται με βέλη στην εικόνα και στη συνέχεια αφαιρέστε πρώτα την κάτω και μετά την επάνω σχάρα. Για να τοποθετήσετε τις μεταλλικές σχάρες, ακολουθήστε την αντίστροφη διαδικασία.

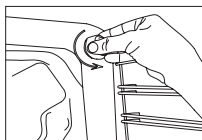
### Αντικατάσταση λάμπας φούρνου

#### ⚠ ΠΡΟΕΙΔΟΠΟΙΗΣΗ!

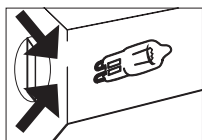
Προς αποφυγή ηλεκτροπληξίας, βεβαιωθείτε ότι το κύκλωμα της συσκευής είναι ανοιχτό πριν από την αντικατάσταση της λάμπας (το ανοιχτό κύκλωμα σημαίνει ότι η παροχή ρεύματος έχει διακοπεί). Αρχικά, διακόψτε την παροχή ρεύματος και βεβαιωθείτε ότι η συσκευή είναι κρύα.

Αφαιρέστε το γυάλινο προστατευτικό περιστρέφοντας το όπως υποδεικνύεται στο σχήμα στην αριστερή πλευρά. Αν δυσκολευτείτε κατά την περιστροφή, μπορείτε να χρησιμοποιήσετε πλαστικά γάντια.

Στη συνέχεια, περιστρέψτε τη λάμπα για να την αφαιρέσετε και τοποθετήστε νέα λάμπα με τις ίδιες προδιαγραφές. Επανατοποθετήστε το γυάλινο προστατευτικό, συνδέστε το καλώδιο τροφοδοσίας της συσκευής στην πρίζα και ολοκληρώστε την αντικατάσταση. Κατόπιν, μπορείτε να χρησιμοποιήσετε τον φούρνο σας.

**Λάμπα τύπου G9**

220-240 V, AC 15-25 W



Εικόνα 7

**Λάμπα τύπου E14**

220-240 V, AC 15 W



Εικόνα 8

**Χρήση προστατευτικού για ψήσιμο στο γκριλ \***

1. Έχει σχεδιαστεί ένα πάνελ ασφαλείας για την προστασία του πλαισίου χειρισμού και των κουμπιών όταν ο φούρνος λειτουργεί στο γκριλ. (εικόνα 9)
2. Χρησιμοποιήστε αυτό το πάνελ ασφαλείας για να αποφύγετε την πρόκληση ζημιάς στον πίνακα οργάνων και τα κουμπιά λόγω της θερμότητας όταν ο φούρνος βρίσκεται σε λειτουργία γκριλ.

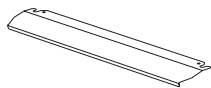
**ΠΡΟΕΙΔΟΠΟΙΗΣΗ!**

Τα προσβάσιμα μέρη ενδέχεται να υπερθερμανθούν όταν χρησιμοποιείται η λειτουργία του γκριλ. Τα μικρά παιδιά πρέπει να κρατούνται μακριά από τη συσκευή.

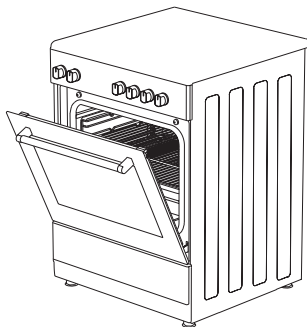
3. Τοποθετήστε το πάνελ ασφαλείας κάτω από το πίνακα οργάνων ανοίγοντας το τζάμι του μπροστινού καλύμματος του φούρνου. (εικόνα 10)
4. Στη συνέχεια, τοποθετήστε το πάνελ ασφαλείας ανάμεσα στον φούρνο και το μπροστινό κάλυμμα κλείνοντας απαλά το τελευταίο. (εικόνα 11)
5. Είναι σημαντικό για τη διαδικασία μαγειρέματος να μένει το κάλυμμα ανοιχτό στην καθορισμένη απόσταση κατά το μαγείρεμα στο γκριλ.
6. Το πάνελ ασφαλείας εξασφαλίζει ιδανικές συνθήκες μαγειρέματος, προστατεύοντας παράλληλα τον πίνακα οργάνων και τα κουμπιά.

**ΠΡΟΕΙΔΟΠΟΙΗΣΗ!**

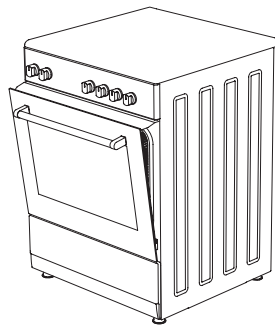
Εάν η συσκευή υποστηρίζει την επιλογή «λειτουργίας στο γκριλ με κλειστή πόρτα» με θερμοστάτη, μπορείτε να έχετε την πόρτα του φούρνου κλειστή κατά τη διάρκεια του μαγειρέματος. Σε αυτή την περίπτωση, το πάνελ προστασίας από τα πιτσιλιόμενα δεν είναι απαραίτητο.



Εικόνα 9



Εικόνα 10



Εικόνα 11



# ΑΝΤΙΜΕΤΩΠΙΣΗ ΠΡΟΒΛΗΜΑΤΩΝ

Μπορείτε να επιλύσετε τα προβλήματα που ενδεχομένως προκύψουν με τη συσκευή σας ελέγχοντας τα ακόλουθα σημεία προτού επικοινωνήσετε το τεχνικό τμήμα σέρβις.

## Σημεία προς έλεγχο

Εάν αντιμετωπίσετε κάποιο πρόβλημα με το φούρνο, ελέγξτε πρώτα τον παρακάτω πίνακα και δοκιμάστε τις προτεινόμενες λύσεις.

Πρόβλημα	Πιθανή αιτία	Τι να κάνετε
Ο φούρνος δεν λειτουργεί.	Η συσκευή δεν τροφοδοτείται με ρεύμα.	Ελέγξτε την παροχή ρεύματος.
Ο φούρνος σταματάει κατά τη διάρκεια του μαγειρέματος.	Το φινις αποσυνδέεται από την πρίζα τοίχου.	Τοποθετήστε ξανά το φινις στην πρίζα τοίχου.
Η συσκευή απενεργοποιείται κατά τη διάρκεια του μαγειρέματος.	Συνεχής λειτουργία για μεγάλο χρονικό διάστημα.	Αφήστε τον φούρνο να κρυώσει μετά από μεγάλους κύκλους μαγειρέματος.
	Περισσότερα από ένα φινις σε μία πρίζα τοίχου.	Χρησιμοποιήστε ξεχωριστή πρίζα για κάθε φινις.
Η πόρτα του φούρνου δεν ανοίγει σωστά.	Υπολείμματα τροφίμων που έχουν κολλήσει ανάμεσα στην πόρτα και τον θάλαμο του φούρνου.	Καθαρίστε καλά τον φούρνο και προσπαθήστε να ανοίξετε ξανά την πόρτα.
Περιστατικά ηλεκτροπληξίας κατά το άγγιγμα του φούρνου.	Δεν υπάρχει σωστή γείωση.	Βεβαιωθείτε ότι η συσκευή είναι συνδεδεμένη σε σωστά γειωμένη παροχή ρεύματος.
	Χρησιμοποιείται μη γειωμένη πρίζα τοίχου.	
Νερό που στάζει.	Υπό ορισμένες συνθήκες μπορεί να παραχθεί νερό ή ατμός, ανάλογα με το φαγητό που μαγειρεύεται. Δεν πρόκειται για κάποιο σφάλμα της συσκευής.	Αφήστε τον φούρνο να κρυώσει και μετά σκουπίστε τον με ένα πανί για τα πιάτα.
Εξαγωγή καπνού από ρωγμή στην πόρτα του φούρνου.		
Εντοπισμός νερού στο εσωτερικό του φούρνου.		
Εκπομπή καπνού από τη συσκευή κατά τη διάρκεια της λειτουργίας.	Κατά τη διάρκεια της λειτουργίας του φούρνου για πρώτη φορά	Εκπομπή καπνού από τα θερμαινόμενα στοιχεία. Δεν πρόκειται για βλάβη. Μετά από 2-3 κύκλους λειτουργίας, δεν θα παράγεται πλέον καπνός.
	Ποσότητες φαγητού στα θερμαινόμενα στοιχεία.	Αφήστε τον φούρνο να κρυώσει και καθαρίστε τα υπολείμματα φαγητού από τα θερμαινόμενα στοιχεία.
Κατά τη λειτουργία του φούρνου, εκπέμπεται οσμή καμένου ή πλαστικού.	Χρησιμοποιούνται πλαστικά ή άλλα εξαρτήματα μη ανθεκτικά στη θερμότητα στο εσωτερικό του φούρνου.	Σε υψηλές θερμοκρασίες, χρησιμοποιήστε κατάλληλα σκεύη από πυριμάχο γυαλί.
Ο φούρνος δεν θερμαίνεται.	Η πόρτα φούρνου είναι ανοιχτή.	Κλείστε την πόρτα και επανεκκινήστε τη συσκευή.
	Τα κουμπιά χειρισμού του φούρνου δεν έχουν ρυθμιστεί σωστά.	Διαβάστε την ενότητα σχετικά με τη λειτουργία του φούρνου και επαναρυθμίστε τον.
	Η ασφάλεια ενεργοποιήθηκε ή ο διακόπτης κυκλώματος απενεργοποιήθηκε.	Αντικαταστήστε την ασφάλεια ή ενεργοποιήστε τον διακόπτη. Εάν αυτό επαναλαμβάνεται συχνά, καλέστε έναν ηλεκτρολόγο.
Ο φούρνος δεν μαγειρεύει καλά.	Η πόρτα του φούρνου ανοίγει συχνά κατά τη διάρκεια του μαγειρέματος.	Μην ανοίγετε συχνά την πόρτα του φούρνου, εάν το φαγητό που μαγειρεύετε δεν χρειάζεται γύρισμα. Εάν ανοίγετε συχνά την πόρτα, η θερμοκρασία στο εσωτερικό του φούρνου μειώνεται και επομένως επηρεάζεται το αποτέλεσμα του μαγειρέματος.

Πρόβλημα	Πιθανή αιτία	Τι να κάνετε
Ο εσωτερικός φωτισμός είναι αμυδρός ή δεν λειτουργεί.	Ξένο αντικείμενο καλύπτει τη λάμπα κατά τη διάρκεια του μαγειρέματος.	Καθαρίστε την εσωτερική επιφάνεια του φούρνου και ελέγξτε ξανά.
	Η λάμπα δεν λειτουργεί σωστά.	Αντικαταστήστε με λάμπα των ίδιων προδιαγραφών.

## ΚΑΝΟΝΕΣ ΧΕΙΡΙΣΜΟΥ

- Μη χρησιμοποιείτε την πόρτα ή/και τη λαβή για να μεταφέρετε ή να μετακινήσετε τη συσκευή.
- Για τη μετακίνηση και μεταφορά της συσκευής χρησιμοποιήστε την αρχική της συσκευασία.
- Εκτελέστε με τη μέγιστη δυνατή προσοχή τη φόρτωση/εκφόρτωση και τον χειρισμό της συσκευής.
- Βεβαιωθείτε ότι η συσκευασία είναι καλά κλεισμένη κατά τον χειρισμό και τη μεταφορά.
- Προστατέψτε τη συσκευή από εξωτερικούς παράγοντες (όπως υγρασία, νερό κ.λπ.) που μπορεί να προκαλέσουν ζημιά στη συσκευασία.
- Προσέξτε να μην προκαλέσετε ζημιά στη συσκευή λόγω πρόσκρουσης, σύγκρουσης, πτώσης κ.λπ. κατά τον χειρισμό και τη μεταφορά της, καθώς και θραύση ή παραμόρφωση κατά τη λειτουργία της.

## ΣΥΣΤΑΣΕΙΣ ΓΙΑ ΕΞΟΙΚΟΝΟΜΗΣΗ ΕΝΕΡΓΕΙΑΣ

Οι αναλυτικές συστάσεις που ακολουθούν θα σας επιτρέψουν να χρησιμοποιείτε το προϊόν σας με οικολογικό και οικονομικό τρόπο.

- Χρησιμοποιήστε σκουρόχρωμα και εμαγιέ σκεύη που διοχετεύουν τη θερμότητα πιο άμεσα και με καλύτερο τρόπο στο φαγητό σας.
- Κατά το μαγείρεμα του φαγητού σας, εάν η συνταγή ή το εγχειρίδιο χρήσης αναφέρει ότι απαιτείται προθέρμανση, προθερμάνετε τον φούρνο.
- Μην ανοίγετε συχνά την πόρτα του φούρνου κατά τη διάρκεια του μαγειρέματος.
- Προσπαθήστε να μη μαγειρεύετε ταυτόχρονα πολλά φαγητά στον φούρνο. Το ταυτόχρονο μαγείρεμα είναι δυνατό εάν τοποθετήσετε δύο μαγειρικά σκεύη στη μεταλλική σχάρα.
- Μαγειρέψτε πολλά φαγητά το ένα μετά το άλλο. Έτσι, δεν θα υπάρξουν απώλειες θερμότητας.
- Απενεργοποιήστε τον φούρνο λίγα λεπτά πριν από τη συμπλήρωση του χρόνου μαγειρέματος. Σε αυτή την περίπτωση, μην ανοίγετε την πόρτα του φούρνου.
- Ξεπαγώστε τα κατεψυγμένα τρόφιμα πριν από το μαγείρεμα.

## ΔΙΑΘΕΣΗ ΦΙΛΙΚΗ ΠΡΟΣ ΤΟ ΠΕΡΙΒΑΛΛΟΝ



Απορρίψτε τη συσκευασία με τρόπο φιλικό προς το περιβάλλον.

Αυτή η συσκευή φέρει σήμανση σύμφωνα με την ευρωπαϊκή οδηγία 2012/19/ΕΕ σχετικά με τις χρησιμοποιημένες ηλεκτρικές και ηλεκτρονικές συσκευές (απόβλητα ειδών ηλεκτρικού και ηλεκτρονικού εξοπλισμού - ΑΗΗΕ). Η οδηγία καθορίζει το πλαίσιο για την επιστροφή και την ανακύκλωση των χρησιμοποιημένων συσκευών, κατά τα ισχύοντα σε ολόκληρη την ΕΕ.

## ΠΛΗΡΟΦΟΡΙΕΣ ΓΙΑ ΤΗ ΣΥΣΚΕΥΑΣΙΑ

Τα υλικά συσκευασίας του προϊόντος κατασκευάζονται από ανακυκλώσιμα υλικά σύμφωνα με τους εθνικούς κανονισμούς περιβαλλοντικής προστασίας που ισχύουν στη χώρα μας. Μην απορρίπτετε τα υλικά συσκευασίας μαζί με τα οικιακά ή άλλα απόβλητα. Να τα μεταφέρετε στα σημεία συλλογής υλικών συσκευασίας που έχουν ορίσει οι τοπικές αρχές.

Dragi korisniče,

Preporučujemo da pažljivo pročitate korisnički priručnik prije upotrebe proizvoda i uvijek ga držite pri ruci.

### NAPOMENA

Ovaj korisnički priručnik je pripremljen za više modela. Vaš uređaj možda nema neke značajke navedene u ovom priručniku.

Svi su naši uređaji namijenjeni samo za kućnu upotrebu i nisu prikladni za komercijalnu upotrebu.

Proizvodi označeni sa (\*) nisu obvezni.

### Sukladno propisima o odlaganju električnog i elektroničkog otpada.

## VAŽNA UPOZORENJA

- Instalaciju i popravak uvijek treba izvoditi ovlašteni servisni centar. Proizvođač nije odgovoran za radove koje obavljaju neovlaštene osobe.
- Pažljivo pročitate upute za uporabu. Samo na taj način možete koristiti uređaj na siguran i ispravan način.
- Potrebno je rukovati štednjakom u skladu s uputama za uporabu.
- Djecu mlađu od 8 godina i kućne ljubimce držite dalje od štednjaka kada je uključen.
- UPOZORENJE: Dostupni dijelovi mogu biti vrući tijekom uporabe. Mala djeca moraju se držati podalje od uređaja.**
- UPOZORENJE: Opasnost od požara - ne postavljajte predmete na površine za pečenje.**
- UPOZORENJE: Uređaj i dostupni dijelovi tijekom rada postaju vrući.**
- Uvjeti za ugradnju ovog uređaja navedeni su na naljepnici (ili na pločici s podacima).
- Dostupni dijelovi zagrijavaju se prilikom upotrebe grilla. Čuvati izvan dohvata djece.
- UPOZORENJE: Ovaj je uređaj namijenjen za kuhanje. Ne smije se koristiti u druge svrhe, poput grijanja prostora.**
- Za čišćenje uređaja ne koristite parne čistače.
- Provjerite jesu li vrata pećnice potpuno zatvorena nakon što u nju stavite hranu.
- NIKAD nemojte pokušavati ugasiti vatru vodom. Samo isključite napajanje uređaja i pokrijte plamen poklopcem ili vatrootpornom krpom.
- Djeca mlađa od 8 godina ne smiju biti u blizini ako nisu pod stalnim nadzorom.
- Izbjegavajte dodirivanje grijača.
- OPREZ: Uvijek treba nadzirati postupak kuhanja.**
- Ovaj uređaj mogu koristiti djeca starija od 8 godina, osobe s mentalnim, senzornim ili mentalnim problemima ili osobe s nedostatkom iskustva i znanja, pod uvjetom da su pruženi podaci o nadzoru ili opasnosti.
- Ovaj je uređaj dizajniran samo za kućnu upotrebu.
- Djeca se ne smiju igrati s uređajem. Čišćenje ili održavanje uređaja ne smiju vršiti djeca osim ako su starija od 8 godina i pod nadzorom odraslih.
- Uređaj i kabel za napajanje držite izvan dohvata djece mlađe od 8 godina.
- Prije uporabe uređaja držite zavjese, til, papir ili druge zapaljive materijale dalje od uređaja. Ne stavljajte zapaljive materijale na uređaj ili unutar njega.
- Držite ventilacijske kanale otvorenima.
- Uređaj nije prikladan za upotrebu s vanjskim timerom ili posebnim sustavom daljinskog upravljanja.
- Ne zagrijavajte zatvorene limenke i staklene posude. Pritisak može uzrokovati eksploziju posuda.
- Ručka na pećnici nije namijenjena sušenju krpa. Ne objesite krpe ili slično na ručku pećnice.
- Ne stavljajte pladnjeve, tanjure ili aluminijske folije izravno na štednjak. Akumulirana toplina može oštetiti ploču za kuhanje.
- Kada stavljate ili vadite hranu iz pećnice, obavezno koristite rukavice otporne na toplinu.
- Nemojte koristiti proizvod kada ste pod utjecajem droga i / ili alkohola, jer to može utjecati na vašu sposobnost rasuđivanja.
- Budite oprezni kada upotrebljavate alkohol za pripremu hrane. Alkohol će ispariti na visokim temperaturama i može doći do požara ako dođe u kontakt s vrućim površinama.
- Nakon svake uporabe provjerite je li uređaj isključen.
- Ako je uređaj neispravan ili je vidljivo oštećen, nemojte ga koristiti.
- Ne dodirujte utikač mokrim rukama. Ne povlačite kabel da biste ga odspojili, uvijek držite utikač.
- Ne upotrebljavajte uređaj sa uklonjenim ili slomljenim staklom prednjih vrata.

34. Stavite papir za pečenje zajedno s hranom izravno u zagrijanu pećnicu ili na dodatak pećnice (pladanj za pečenje, grill itd.).
35. Na uređaj ne stavljajte predmete koje djeca mogu dohvatiti.
36. Važno je rešetku i ladicu za roštilj pravilno postaviti na žičane police i / ili pladanj pravilno postaviti na policu. Prije postavljanja hrane stavite rešetku ili pladanj između dvije izbočine i provjerite je li stabilan.
37. Da biste izbjegli rizik dodirivanja grijača pećnice, uklonite višak papira za pečenje koji viri iz nastavka pećnice ili posude.
38. Nikad ga nemojte koristiti na temperaturama pećnice koje su više od maksimalne radne temperature navedene na papiru za pečenje. Ne stavljajte papir za pečenje na dno pećnice.
39. Kad su vrata otvorena, nemojte na njih stavljati teške predmete i ne dopustite djeci da sjede na vratima. Možete uzrokovati prevrtanje pećnice ili oštetiti šarke vrata.
40. Ambalažni materijali opasni su za djecu. Držite ih izvan dohvata djece.
41. Nemojte koristiti abrazivna sredstva ili oštre metalne žice za čišćenje stakla, jer ogrebotine koje se pojave na površini staklenih vrata mogu uzrokovati njegovo pucanje.
42. Ne postavljajte uređaj na tepihe. Električni dijelovi će se pregrijati zbog nedostatka ventilacije s donje strane. To će dovesti do kvara uređaja.
43. Nemojte udarati metalnim predmetima staklene površine vitrokeramičkih ploča jer ih to može oštetiti. To može prouzročiti električni udar.
44. Korisnik ne smije sam popravljati štednjak.
45. Hrana se može prosipati u slučaju da je ploča štednjaka demontirana ili slomljena, budite oprezni. Mogu se pojaviti tjelesne ozljede.
46. Tijekom uporabe zagrijavaju se unutarnja i vanjska površina štednjaka. Kad otvorite vrata pećnice, napravite korak unatrag kako biste izbjegli vruću paru koja izlazi iz unutrašnjosti. Postoji opasnost od opekлина!
47. Poklopac štednjaka može se zatvoriti, a zatim posude s ploče za kuhanje preokrenuti. Odmaknite se da vas vruća hrana ne opeče. Postoji opasnost od opekлина!
48. Ne ostavljajte teške predmete na vratima pećnice kada su otvorena, jer postoji opasnost od prevrtanja.
49. Tijekom čišćenja korisnik ne smije uklanjati grijače. To može prouzročiti električni udar.
50. Nemojte postavljati metalni pribor, poput noža, vilice i žlice na površinu uređaja, jer će se i oni zagrijati.
51. Ne uklanjajte prekidače za paljenje s uređaja. Inače možete pristupiti električnim kabelima pod naponom. To može prouzročiti električni udar.
52. Napajanje štednjaka može se isključiti tijekom bilo kakvih građevinskih radova u kući. Po završetku posla, ponovno spajanje mora obaviti ovlašteni servisni centar.
53. Kako bi se spriječilo pregrijavanje, uređaj se ne smije postavljati iza ukrasne maske.
54. Isključite uređaj prije uklanjanja zaštitne opreme. Nakon čišćenja ugradite zaštitne elemente prema uputama.
55. Točka pričvršćivanja kabela mora biti zaštićena.
56. **UPOZORENJE: Nemojte istovremeno koristiti pećnicu i plamenike.**
57. Ne pripremajte hranu izravno na pladnju / rešetku. Stavite hranu u ili na odgovarajuću posudu prije nego što je stavite u pećnicu.
58. Ostavite vruće površine da se ohlade prije stavljanja poklopcu.
59. **OPREZ: Ako se staklo na pećnici razbije, odmah odspojite sve grijače i uređaj od izvora napajanja, ne dodirujte površinu uređaja i ne upotrebljavajte uređaj.**

## Sigurnost kada se koristi na struju

1. Uključite uređaj u uzemljenu utičnicu zaštićenu osiguračem u skladu s vrijednostima navedenim u tablici tehničkih specifikacija.
2. Neka uzemljenu opremu instalira ovlašteni električar. Naša tvrtka neće odgovarati za štetu nastalu uporabom proizvoda bez uzemljenja, u skladu s lokalnim propisima.
3. Prekidači osigurača postavljaju se tako da krajnji korisnik može doći do njih kada se štednjak instalira.
4. Kabel za napajanje (utikač) ne smije doći u dodir s vrućim dijelovima uređaja.
5. Ako je kabel za napajanje oštećen, zamijenit će ga proizvođač, njegov servis ili kvalificirano osoblje kako bi se izbjegla opasna situacija.
6. Uređaj se ne smije čistiti prskanjem ili polivati vodom! Postoji opasnost od strujnog udara.
7. **UPOZORENJE:** Da biste izbjegli električni udar, provjerite je li krug uređaja otvoren prije zamjene žarulje.

8. UPOZORENJE: Odspojite sve priključke strujnog kruga prije pristupanja.
9. UPOZORENJE: Ako je površina ispucala, isključite uređaj kako biste izbjegli rizik od električnog udara.
10. Ne koristite slomljene, oštećene ili produžene kabele, samo originalni kabel.
11. Pazite da u utičnici na koju je priključen uređaj nema tekućine ili vlage.
12. Površina stražnje strane štednjaka također se zagrijava kada štednjak radi. Električni priključci ne smiju dodirivati površinu stražnje strane štednjaka, jer u protivnom mogu biti oštećeni.
13. Ne zatežite priključni kabel preko vrata pećnice ili ga ne prelazite preko vrućih površina. Ako se kabel otopi, može doći do kratkog spoja, pa čak i do požara.
14. Isključite uređaj tijekom instalacije, održavanja, čišćenja i popravka.
15. Ako je kabel za napajanje oštećen, proizvođač, serviser ili jednako kvalificirano osoblje moraju zamijeniti kabel kako bi se izbjegle opasne situacije.
16. Provjerite je li utikač čvrsto umetnut u zidnu utičnicu kako biste izbjegli iskrenje.
17. Za čišćenje uređaja ne koristite parne čistače jer to može dovesti do strujnog udara.
18. Za instalaciju je potreban prekidač koji može potpuno isključiti napajanje. Isključivanje iz napajanja mora biti osigurano prekidačem ili integriranim osiguračem ugrađenim na fiksno napajanje u skladu s građevinskim propisima.
19. Fiksni priključci moraju biti spojeni na napajanje koje omogućuje potpuno odvajanje. Za uređaje s kategorijom prenapona ispod III, isključni uređaj mora biti povezan na fiksno napajanje u skladu s instalacijskim propisima.

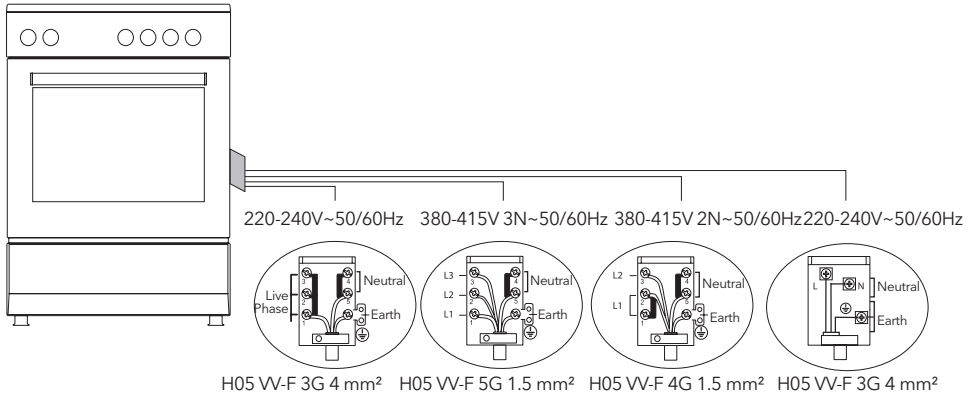
## Svrha

1. Ovaj je proizvod dizajniran za kućnu upotrebu. Komercijalna uporaba uređaja nije dopuštena.
2. Ovaj se uređaj smije koristiti samo u svrhu pripreme hrane. Ne smije se koristiti u druge svrhe, poput grijanja prostora.
3. Ovaj se uređaj ne smije koristiti za zagrijavanje ploča ispod grilla, za sušenje tkanina ili ručnika vješanjem na ručku pećnice ili za grijanje.
4. Proizvođač ne preuzima odgovornost za bilo kakvu štetu nastalu zlouporabom ili nepravilnom uporabom.
5. Pećnica se može koristiti za odmrzavanje, pečenje, prženje i grillanje hrane.

## Električna veza

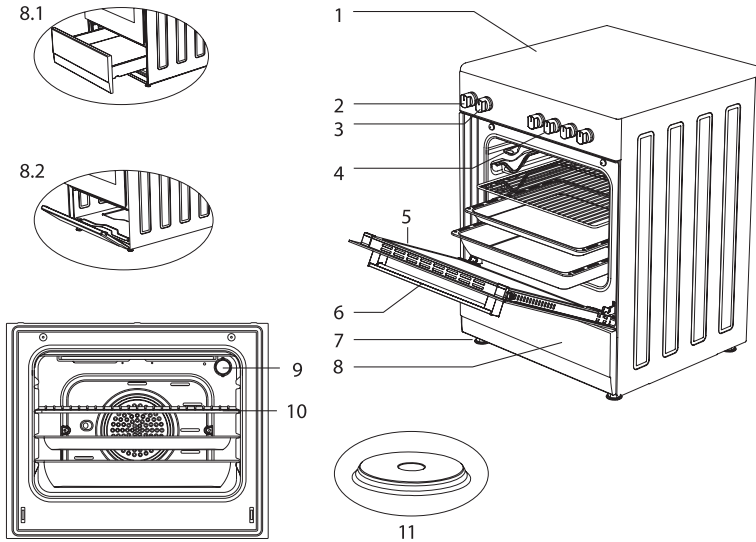
1. Vaš štednjak treba osigurač od 16 ili 32 ampera u skladu s napajanjem uređaja. Ako je potrebno, preporučuje se da instalaciju izvede kvalificirani električar.
2. Štednjak je postavljen na napajanje 220-240V AC/380-415V AC 50/60Hz. Ako se električna mreža razlikuje od navedene vrijednosti, obratite se ovlaštenom servisnom centru.
3. Električni priključak uređaja smije se izvoditi samo pomoću utičnica sa sustavom uzemljenja instaliranim u skladu s propisima. Ako na mjestu postavljanja štednjaka nema utičnice sa sustavom uzemljenja, odmah se obratite kvalificiranom električaru. Proizvođač neće biti odgovoran za štetu nastalu spajanjem uređaja na utičnicu bez sustava uzemljenja. Ako su krajevi kabela za napajanje otvoreni, ovisno o vrsti uređaja, instalirajte prekidač koji vam omogućuje odspajanje svih krajeva u slučaju spajanja na mrežni kabel ili odspajanja s njega.
4. Ako je vaš kabel za napajanje neispravan, mora ga odmah zamijeniti ovlašten servis ili kvalificirani električar kako bi se izbjegla opasnost.
5. Kabel za napajanje ne smije dodirivati vruće dijelove uređaja.
6. Prilikom postavljanja štednjaka, pobrinite se da je u razini kuhinjske ploče. Ako je potrebno, prilagodite postolje kako biste ga prilagodili razini kuhinjske radne ploče.

## Dijagram električnog spajanja



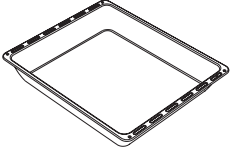
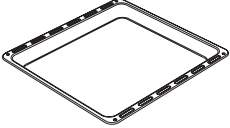
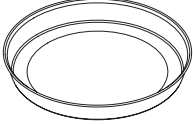
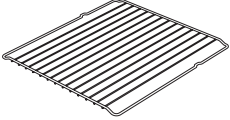
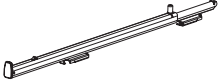
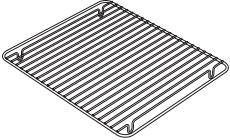
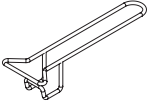
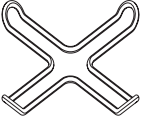
## OPIS UREĐAJA

Modeli: CS5400SW, CS6400SW, CS5400SX, CS6400SX



- |  |                              |
|--|------------------------------|
| 1. Gornja staklena ploča                         | 8. Vrata donje ladice        |
| 2. Tipka termostata                              | 8.1. Ladica                  |
| 3. Tipka za upravljanje pećnicom                 | 8.2. Preklopna vrata         |
| 4. Regulatori za vitrokeramičke ploče za kuhanje | 9. Lampa                     |
| 5. Vrata pećnice                                 | 10. Roštilj                  |
| 6. Ručka   | 11. Rešo (145 mm ili 185 mm) |
| 7. Plastična nožica                              |                              |

## Dodatna oprema

	<p><b>Duboki kalup</b> Koristi se za kolače, prženje u dubokom ulju i pripremu juha. Kada se na samom grillu pripremaju kolači, smrznuta hrana i meso, može se koristiti kao posuda za sakupljanje tekućina</p>
	<p><b>Kalup / Stakleni kalup*</b> Koristi se za peciva (kolačiće, keksiće, itd.) i smrznutu hranu.</p>
	<p><b>Okrugli kalup*</b> Koristi se za peciva i smrznutu hranu.</p>
	<p><b>Gril-rešetka</b> Koristi se za prženje i / ili stavljanje hrane za pečenje na određenu visinu u pećnicu.</p>
	<p><b>Teleskopska šina*</b> Pomoću teleskopskih šina, kalupi i/ili žičane police mogu se lako postavljati ili uklanjati.</p>
	<p><b>Rešetka u kalupu*</b> Hrana koja se može zalijepiti tijekom pečenja, poput junetine, stavlja se na rešetku. To sprječava da se hrana lijepi.</p>
	<p><b>Ručka kalupa*</b> Koristi se za hvatanje kalupa.</p>
	<p><b>Postolje za džezvu *</b> Može se koristiti kao postolje za džezvu.</p>

## Tehničke karakteristike vašeg štednjaka

Specifikacije	50x55	50x60	60x60
Vanjska širina	500 mm	500 mm	600 mm
Vanjska dužina	565 mm	630 mm	630 mm
Vanjska visina	855 mm	855 mm	855 mm
Snaga lampe	15-25 W		
Donji grijač	1000 W	1000 W	1200 W
Gornji grijač	800 W	800 W	1000 W
Turbo grijač	-----	1800 W	2200 W
Grijač za grill	1500 W	1500 W	2000 W
Napajanje	220-240V AC/380-415V AC 50/60 Hz		
Zona za kuhanje 145 mm *	1000 W		
Zona za kuhanje 180 mm *	1500 W		
Brza zona za kuhanje 145 mm *	1500 W		
Brza zona za kuhanje 180 mm *	2000 W		



### UPOZORENJE

- Za promjene koje je izvršio ovlaštteni servis, uzmite u obzir ovu tablicu. Proizvođač neće biti odgovoran za bilo kakve probleme nastale neispravnim preinakama.
- Kako bi se poboljšala kvaliteta proizvoda, tehničke specifikacije mogu se promijeniti bez najave.
- Vrijednosti isporučene s uređajem ili pripadajućom dokumentacijom dobivene su laboratorijskim mjerjenjima u skladu s odgovarajućim standardima. Te se vrijednosti mogu razlikovati ovisno o uporabi i okolini.



# INSTALACIJA VAŠEG ŠTEDNJAKA

Provjerite je li električna instalacija prikladna za uključivanje uređaja. Ako električna instalacija nije prikladna, nazovite električara i vodoinstalatera da ih pravilno instaliraju. Proizvođač neće biti odgovoran za štetu nastalu djelovanjem neovlaštenih osoba.

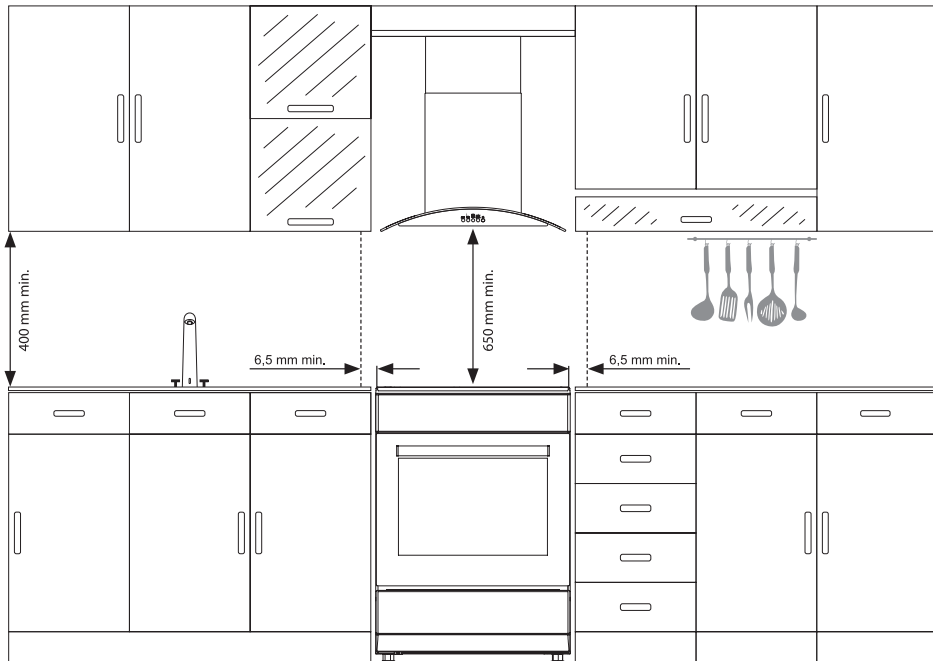


## UPOZORENJE

- **UPOZORENJE:** Odgovornost je korisnika pripremiti mjesto za ugradnju proizvoda, kao i pripremiti električnu instalaciju.
- **UPOZORENJE:** Kada instalirate proizvod, pridržavajte se lokalnih propisa i standarda o električnim instalacijama.
- **UPOZORENJE:** Prije instalacije provjerite ima li uređaja oštećenja. Nemojte instalirati proizvod ako je oštećen. Oštećeni proizvodi predstavljaju rizik za vašu sigurnost.

## Prikladno mjesto za ugradnju i važna upozorenja

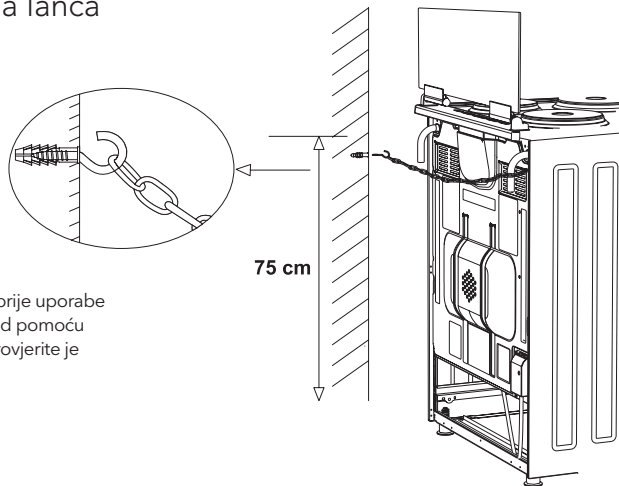
- Nožice uređaja ne smiju se postavljati na mekane površine poput tepiha. Pod u kuhinji mora biti izdržljiv kako bi mogao nositi težinu uređaja i ostalog posuda koje se može koristiti na štednjaku.
- Da biste koristili uređaj, osigurajte minimalnu udaljenost od 400 mm od površine visećeg dijela ili 65 mm od stranica kuhinjskih elemenata.
- Uređaj je prikladan za upotrebu s obje strane, bez ikakve potpore ili bez ugradnje u kuhinjski element. Ako će se poklopac ili napa postaviti iznad štednjaka, slijedite upute proizvođača za visinu ugradnje (min. 650 mm).



## UPOZORENJE

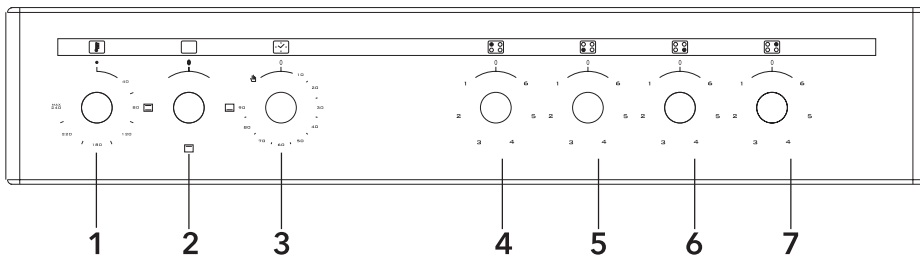
- **UPOZORENJE:** Kuhinjski elementi koji se nalaze u blizini uređaja moraju biti otporni na toplinu.
- **UPOZORENJE:** Nemojte instalirati uređaj pored hladnjaka ili rashladnih uređaja. Uređaj povećava potrošnju energije rashladnih uređaja.
- **UPOZORENJE:** Nemojte koristiti vrata i/ili ručku štednjaka da biste ga nosili ili premještali.

## Ilustracija učvršćivanja lanca



Da biste osigurali sigurnu uporabu, prije uporabe provjerite je li uređaj pričvršćen na zid pomoću isporučenog lanca i vijka s kukom. Provjerite je li kuka dobro pričvršćena na zid.

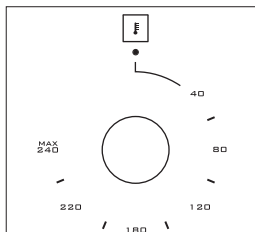
## UPRAVLJAČKA PLOČA



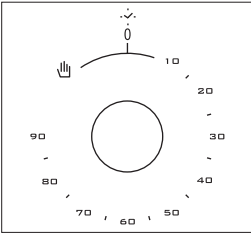
- |                                    |                                     |
|------------------------------------|-------------------------------------|
| 1. Termostat                       | 5. Prednji lijevi električni grijač |
| 2. Tipka za izbor funkcije         | 6. Prednji desni električni grijač  |
| 3. Mehanički timer *               | 7. Zadnji desni električni grijač   |
| 4. Zadnji lijevi električni grijač |                                     |

### UPOZORENJE

Upravljačka ploča na gornjoj slici služi samo kao ilustracija. Obratite pažnju na upravljačku ploču na uređaju.



**Termostat:** Koristi se za određivanje temperature kuhanja hrane koje se sprema u pećnici. Nakon stavljanja namirnica u pećnicu, okrenite prekidač da biste podesili temperaturu između 40-240°C. Za temperature kuhanja različitih namirnica, pogledajte tablicu kuhanja.



**Mehanički timer\***: Koristi se za određivanje razdoblja kuhanja u pećnici. Kad protekne podešeno vrijeme, napajanje grijača se isključuje i emitira se zvučni signal upozorenja. Mehanički timer može se postaviti na željeno razdoblje od 0-90 minuta. Za razdoblja kuhanja pogledajte tablice kuhanja.

## KORIŠTENJE PEĆNICE

### Korištenje grijača pećnice

1. Kad prvi put upotrebljavate pećnicu, osjetit ćete miris grijanja grijača. Da biste uklonili taj miris, uključite praznu pećnicu na 45-60 minuta na temperaturi od 240°C.
2. Gumb za upravljanje pećnicom treba postaviti na željenu vrijednost; inače pećnica neće raditi.
3. Vrste jela, vrijeme kuhanja i položaji termostata navedeni su u tablici kuhanja. Vrijednosti navedene u tablici kuhanja karakteristične su vrijednosti i dobivene su kao rezultat ispitivanja provedenih u laboratorijskim uvjetima. Možete pronaći različite ukuse, ovisno o vašim navikama.
4. Pomoću dodatka možete pripremiti piletinu na ražnju u svojoj pećnici.
5. Vrijeme kuhanja: rezultati se mogu razlikovati u odnosu na napon i vrste namirnica, količine i temperature.
6. Kad pečete u pećnici, vrata pećnice ne treba često otvarati. Inače, cirkulacija topline možda neće biti jednolična, a rezultati mogu biti različiti.

### Korištenje grila

1. Kad grill postavite na gornju policu, hrana na grillu ne smije dodirivati rešetku.
2. Prije grilla zagrijte pećnicu 5 minuta. Ako je potrebno, hranu okrenite na drugu stranu.
3. Potrebno je da hrana bude u sredini grilla kako bi se postigla maksimalna cirkulacija zraka u pećnici.

#### Uključivanje grila:

1. Postavite gumb na simbol roštilja.
1. Zatim podesite željenu temperaturu.

#### Isključivanje grila:

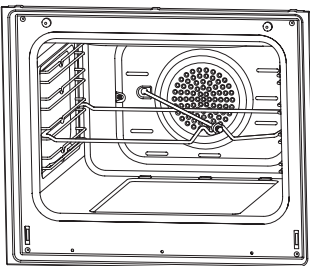
Postavite gumb u položaj „isključeno“.



#### UPOZORENJE

Za vrijeme roštiljanja vrata pećnice trebaju biti zatvorena (el. roštilj).

### Upotreba ražnja\*



Stavite ražanj na okvir. Postavite okvir ražnja na željenu visinu. Stavite posudu za mast ispod nje. U posudu za mast ulijte vodu kako biste je lakše očistili. Ne zaboravite ukloniti plastični dio ražnja. Nakon roštiljanja navijete plastičnu ručku na ražanj i izvadite hranu iz pećnice.

## Korištenje zona za kuhanje

	Jačina 1	Jačina 1	Jačina 1	Jačina 1	Jačina 1	Jačina 1
80 mm	200 W	250 W	450 W	---	---	---
145 mm	250 W	750 W	1000 W	---	---	---
180 mm	500 W	750 W	1500 W	---	---	---
145 mm brza	500 W	1000 W	1500 W	---	---	---
180 mm brza	850 W	1150 W	2000 W	---	---	---
145 mm	95 W	155 W	250 W	400 W	750 W	1000 W
180 mm	115 W	175 W	250 W	600 W	850 W	1500 W
145 mm brza	135 W	165 W	250 W	500 W	750 W	1500 W
180 mm brza	175 W	220 W	300 W	850 W	1150 W	2000 W
220 mm	220 W	350 W	560 W	910 W	1460 W	2000 W

1. Električne zone za kuhanje imaju 6 standardnih razina temperature (kao što je iznad opisano).
2. Kad prvi put koristite, uključite električnu ploču za kuhanje na razini 6 na 5 minuta. Na taj će se način toplinski osjetljivo sredstvo s ploče za kuhanje stvrdnuti zagrijavanjem.
3. Koristite posude ravnog dna koje dolaze u puni kontakt s toplinom, jer će to produktivnije trošiti energiju.



### UPOZORENJE

Duljom uporabom ploče za kuhanje, površina ploče kao i rubovi ploče za kuhanje mogu promijeniti boju. Servisni zahvat nije predmet garancije.



Pravilno



Nepravilno



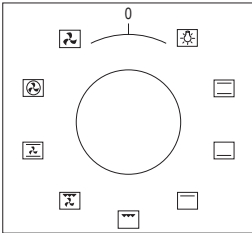
Nepravilno

















Nepravilno

# VRSTE PROGRAMA

Modeli: CS5400SW, CS6400SW, CS5400SX, CS6400SX



**Tipka za određivanje funkcije:** Koristi se za određivanje grijača koji bi se trebali koristiti za pripremu hrane u pećnici. Vrste programa grijača na ovom gumbu i njihove funkcije opisane su u nastavku. Sve vrste grijača i programa koji uključuju ove grijače možda neće biti dostupni na svim modelima.

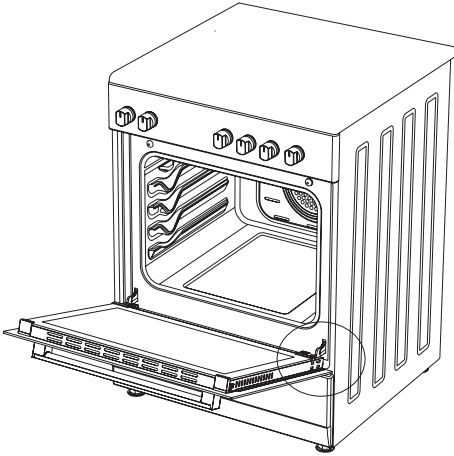
	Ražanj		Ventilator
	Gornji + bočni element za grijanje		Turbo grijač + ventilator
	Lampica		Donji + gornji grijač + ventilator
	Donji grijač + ventilator		Grijač za gril+ventilator
	Grijač za gril		Plamenik za gril/ grijač za gril
	Grijač za gril + lampica		Gornji grijač
	Električni tajmer		Plamenik rerne / donji grijač



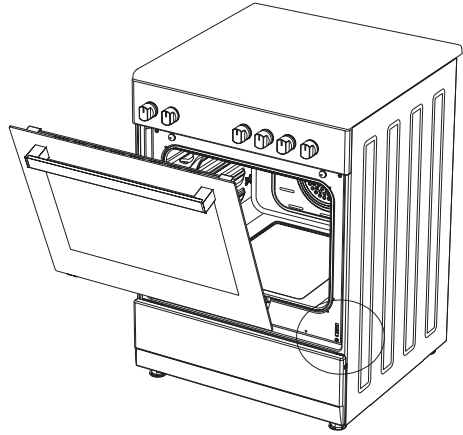
## UPOZORENJE

Sve vrste grijača i programa koji uključuju ove grijače možda neće biti dostupni na svim modelima.

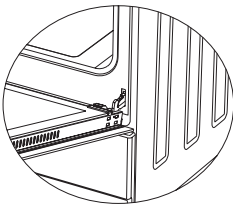
# UGRADNJA VRATA PEĆNICE



Slika 1

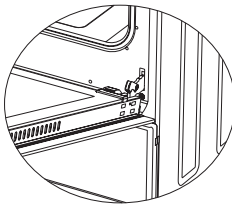


Slika 2



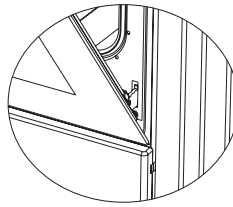
Slika 1.1

Otvorite vrata pećnice potpuno povlačenjem prema sebi. Nakon toga izvedite postupak otključavanja povlačenjem šarki odvijanjem, kao što je prikazano na slici 1.1.



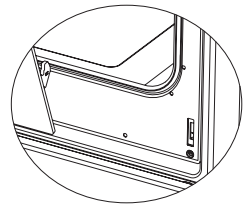
Slika 1.2

Postavite šarke u najširi položaj, kao što je prikazano na slici 1.2. Postavite obje šarke koje spajaju vrata pećnice i štednjak u isti položaj.



Slika 2.1

Nakon toga zatvorite vrata pećnice tako da leže na šarkama, kao što je prikazano na slici 2.1.



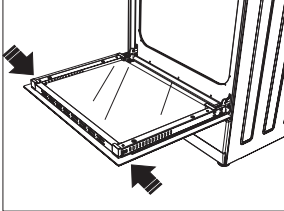
Slika 2.2

Da biste uklonili vrata pećnice, povucite ih držeći je objema rukama, kao što je prikazano na slici 2.2.

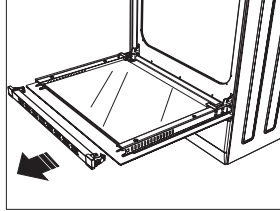
Da biste vratili vrata pećnice, izvedite gornje korake obrnutim redoslijedom.

## Čišćenje i održavanje stakla prednjih vrata pećnice

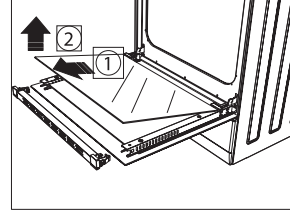
Uklonite profil pritiskom na plastične zasune s lijeve i desne strane, kao što je prikazano na slici 3, a zatim povucite profil prema sebi, kao što je prikazano na slici 4. Zatim uklonite unutarnje staklo (slika 5). Ako je potrebno, možete na isti način ukloniti i srednje staklo. Nakon čišćenja i održavanja, vratite staklo i profil obrnutim redoslijedom. Provjerite je li profil pravilno pričvršćen.



Slika 3



Slika 4



Slika 5

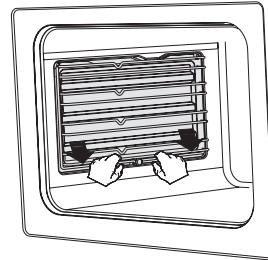
### Katalitičke ploče\*

Katalitičke ploče nalaze se na lijevoj i desnoj strani šupljina ispod vodilica. Katalitičke ploče neutraliziraju neugodne mirise i pridonose postizanju najboljih karakteristika pećnice. Katalitičke ploče također upijaju ostatke ulja i čiste pećnicu tijekom rada.

### Uklanjanje katalitičkih ploča

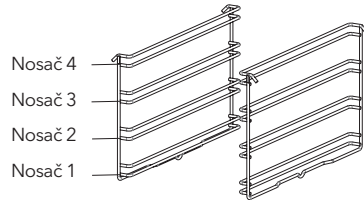
Da biste uklonili katalitičke ploče, trebate izvući vodilice. Čim izvučete vodilice, katalitičke ploče će se automatski otpustiti. Katalitičke ploče moraju se zamijeniti nakon 2-3 godine.

Slika 6



### Položaji polica

Važno je pravilno postaviti rešetku grilla u pećnicu. Pazite da žičana polica ne dodiruje stražnji zid pećnice. Položaji polica prikazani su na sljedećoj slici. Duboku ladicu ili standardnu ladicu morate postaviti na donju ili gornju žičanu policu.



### Postavljanje i uklanjanje žičanih polica

Da biste uklonili žičane police, pritisnite kopče označene strelicama na slici, prvo uklonite donji, a zatim gornji dio mjesta montiranja. Da biste instalirali žičane police, ponovite postupak uklanjanja obrnutim redoslijedom.

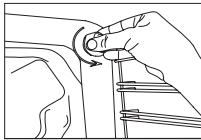
### Zamjena lampice u pećnici



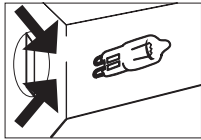
#### UPOZORENJE

Da biste izbjegli električni udar, provjerite je li krug uređaja otvoren prije zamjene žarulje (otvaranje kruga znači da je glavno napajanje isključeno).

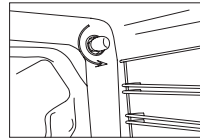
Prvo isključite napajanje uređaja i provjerite je li se uređaj ohladio. Uklonite stakleni štitičnik okretanjem kako je prikazano na slici lijevo. Ako imate poteškoća s okretanjem, pomoći će vam plastične rukavice. Zatim uklonite žarulju okrećući je i instalirajte novu žarulju s istim specifikacijama. Vratite stakleni štitičnik, umetnite utikač u električnu utičnicu i dovršite zamjenu. Sada možete koristiti svoju pećnicu. Sada možete koristiti svoju remu.

**Lampa tipa G9**

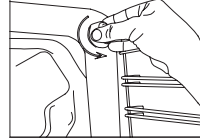
220-240 V, AC 15-25 W



Slika 7

**Lampa tipa E14**

220-240 V, AC 15 W



Slika 8

**Upotreba limenog deflektora za grill\***

1. Sigurnosna ploča dizajnirana je za zaštitu upravljačke ploče i gumba kada je pećnica u režimu roštilja. (Slika 9)
2. Koristite ovu sigurnosnu ploču kako biste izbjegli oštećivanje toplinom upravljačke ploče i gumba kada je pećnica u roštilju.

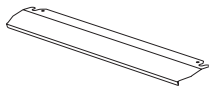
**! UPOZORENJE**

Dostupni dijelovi mogu biti vrući tijekom korištenja grilla. Malu djecu treba držati dalje od njega

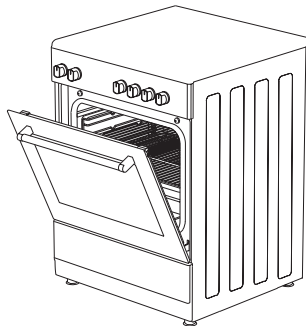
3. Postavite sigurnosnu ploču ispod upravljačke ploče otvaranjem stakla prednjeg poklopca. (Slika 10)
4. Zatim pričvrstite sigurnosnu ploču između pećnice i prednjeg poklopca pažljivo zatvarajući poklopac. (Slika 11)
5. Za kuhanje, važno je da se poklopac otvori na navedenoj udaljenosti tijekom kuhanja u načinu roštilja.
6. Sigurnosna ploča osigurat će idealne uvjete kuhanja, a istovremeno štiti upravljačku ploču i tipke.

**! UPOZORENJE**

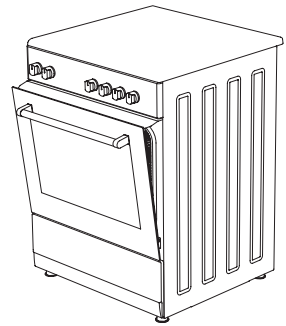
Ako pećnica na termostatu ima opciju "funkcija zatvorenog roštilja", tijekom rada možete zatvoriti vrata pećnice; u tom slučaju limeni deflektor za roštilj neće biti potreban.



Slika 9



Slika 10



Slika 11



# RJEŠAVANJE PROBLEMA

Probleme koji se javljaju na vašem proizvodu možete riješiti provjerom sljedećih točaka prije pozivanja tehničke službe.

## Kontrolne točke

Ako imate problema s štednjakom, prvo provjerite donju tablicu i isprobajte ove prijedloge.

Problem	Mogući uzrok	Što napraviti
Pećnica ne radi.	Napajanje nije dostupno.	Provjerite napajanje.
Pećnica se zaustavlja sa radom tijekom kuhanja.	Utikač izlazi iz zidne utičnice.	Ponovo postavite utikač u zidnu utičnicu.
Isključuje se tijekom kuhanja.	Predugo kontinuirani rad.	Pustite da se pećnica ohladi nakon dugih ciklusa kuhanja.
	Više od jednog utikača u zidnoj utičnici.	Upotrebjavajte samo jedan utikač za svaku zidnu utičnicu.
Vrata pećnice se ne otvaraju ispravno.	Ostaci hrane zaglavljani su između vrata i unutarnjeg dijela.	Očistite dobro pećnicu i pokušajte ponovo otvoriti vrata.
Strujni udar prilikom dodirivanja pećnice.	Nema ispravnog uzemljenja.	Provjerite da li je napajanje ispravno uzemljeno.
	Upotrebljava se neuzemljena zidna utičnica.	
Curi voda.	Voda ili para se mogu stvoriti pod određenim uvjetima, ovisno o hrani koja se kuha. Ovo nije problem sa uređajem.	Pustite pećnicu da se ohladi i obrišite je suhom krpom.
Para izlazi iz pukotine na vratima pećnice.		
Voda ostaje u pećnici.		
Tijekom rada izlazi dim.	Ako prvi put upotrebljavate pećnicu.	Dim izlazi iz grijača. Ovo nije kvar. Nakon 2-3 ciklusa, neće biti više dima.
	Hrana je na grijaču.	Pustite pećnicu da se ohladi i očistite ostatke hrane sa grijača.
Kada pećnica radi, iz nje izlazi miris paljevine ili plastike.	U unutrašnjosti pećnice upotrebljavaju se plastični ili drugi neotporni dodaci.	Na visokim temperaturama upotrebljavajte odgovarajuću dodatnu opremu od stakla.
Pećnica se ne zagrijava.	Vrata su otvorena.	Zatvorite vrata i pokušajte ponovo.
	Kontrole pećnice nisu pravilno postavljene.	Pročitajte odjeljak o radu pećnice i resetirajte pećnicu.
	Osigurač je ispao ili je prekidač struje isključen.	Zamijenite osigurač ili resetirajte prekidač. Ako se to često ponavlja, pozovite električara.
Pećnica ne peče dobro.	Vrata pećnice se često otvaraju tijekom kuhanja.	Ne otvarajte vrata pećnice često ako hrana koju kuhate ne zahtijeva okretanje. Ako otvarate vrata često, unutarnja temperatura pada, te će stoga utjecati na rezultat kuhanja.
Unutarnje svjetlo je prigušeno ili ne radi.	Neki predmet pokriva lampicu tijekom kuhanja.	Očistite unutarnju površinu pećnice i ponovno provjerite.
	Lampica možda ne radi.	Zamijenite lampicom sa istim specifikacijama.

## PRAVILA RUKOVANJA

1. Nemojte koristiti vrata i/ili ručku pećnice za nošenje ili premještanje uređaja.
2. Premještanje i transport obavljajte u originalnoj kutiji.
3. Budite vrlo oprezni prilikom utovara / istovara uređaja i rukovanja njime.
4. Tijekom rukovanja i transporta provjerite je li ambalaža dobro zatvorena.
5. Zaštitite ambalažu od vanjskih čimbenika (poput vlage, vode itd.) koji ju mogu oštetiti.
6. Pazite da uređaj ne oštete udarci, padovi, kapi vode itd. tijekom rukovanja i transporta i pripazite da se tijekom rada ne slomi ili deformira.

## Preporuke za uštedu energije

Sljedeći detalji pomoći će vam da svoj proizvod koristite na ekološki i ekonomičan način.

1. U pećnici koristite tamno i emajlirano posuđe koje bolje provodi toplinu.
2. Tijekom pripreme hrane zagrijte pećnicu ako recept ili korisnički priručnik naznače da je potrebno prethodno zagrijavanje.
3. Ne otvarajte često vrata pećnice tijekom kuhanja.
4. Pokušajte istodobno ne kuhati više jela u pećnici. Možete kuhati istovremeno stavljajući dva pribora za kuhanje na žičanu policu.
5. Kuhajte više jela jedno za drugim Pećnica neće izgubiti toplinu.
6. Isključite pećnicu nekoliko minuta prije kraja kuhanja. U tom slučaju ne otvarajte vrata pećnice.
7. Prije kuhanja odmrznite smrznutu hranu.

## EKOLOŠKO ODLAGANJE



Odložite na ekološki način.

Ovaj je uređaj označen u skladu s Europskom direktivom 2012/19/EU o uporabi električne i elektroničke opreme (otpadna električna i elektronička oprema - WEEE). Smjernice postavljaju okvir za povratak i recikliranje korištenih uređaja na način primjenjiv u cijeloj EU.

## INFORMACIJE O AMBALAŽI

Pakiranje proizvoda izrađeno je od sekundarnih sirovina u skladu s našim nacionalnim propisima o zaštiti okoliša. Ne bacajte ambalažu zajedno sa kućnim ili drugim otpadom. Odnosite ga na mjesta za prikupljanje ambalaže koje su odredile lokalne vlasti.

Kedves Vásárlónk,

Javasoljuk, hogy a termék használata előtt figyelmesen olvassa el a használati útmutatót, és őrizze meg későbbi használatra is.

## MEGJEGYZÉS

Ez a felhasználói kézikönyv több modellhez készült. Előfordulhat, hogy az Ön készülékénél a kézikönyvben megadott egyes funkciók nem állnak rendelkezésre.

Minden készülékünk kizárólag háztartási használatra, nem pedig kereskedelmi használatra készült. A (\*)-gal jelölt termékek opcionálisak.

**Megfelel a WEEE-előírásoknak.**

# FONTOS FIGYELMEZTETÉSEK

1. A beszerelést és a javítást kizárólag szakszerviz végezheti el. A gyártó nem vállal felelősséget az illetéktelen személyek által végzett műveletekért.
2. Kérjük, hogy figyelmesen olvassa el ezt a útmutatót, mivel csak így tudja biztonságosan és helyesen használni a készüléket.
3. A sütőt az utasítások szerint kell használni.
4. A 8 év alatti gyermekeket és a háziállatokat tartsa távol a használat során a készüléktől.
5. **FIGYELMEZTETÉS: A grill használata közben a hozzáférhető részek felforrósodnak. Tartsa távol gyermekeit a készüléktől.**
6. **FIGYELMEZTETÉS: Tűzveszély; ne tároljon anyagokat a sütőfelületen.**
7. **FIGYELMEZTETÉS: A készülék és a hozzáférhető alkatrészek működés közben felforrósodnak.**
8. A készülék beállítási követelményei az adattáblán vannak feltüntetve.
9. A hozzáférhető részek a grill használatokor felforrósodnak. Tartsa távol gyermekeit a készüléktől!
10. **FIGYELMEZTETÉS: Ez a készülék főzésre szolgál. Nem szabad más célra, például helyiség fűtésére használni.**
11. A készülék tisztításához ne használjon gőztisztítót.
12. Ügyeljen arra, hogy a sütő ajtaja teljesen zárva legyen, miután behelyezte az ételt.
13. SOHA ne próbálja meg vízzel eloltani a tüzet. Áramtalanítsa a készüléket, majd fedje le a lángot egy fedővel vagy egy tűzvédelmi takaróval.
14. Tartsa távol a készüléktől a 8 év alatti gyermekeket.
15. Ne érintse meg a fűtőelemeket.
16. **FIGYELMEZTETÉS: A főzési folyamatot mindvégig felügyelni kell.**
17. A készüléket gyermekek, valamint fizikai, érzékszervi vagy értelmi képességeikben korlátozott, illetve a készüléket és annak használatát nem ismerő személyek csak olyan felügyelete mellett használhatják, aki a berendezés biztonságos módon történő használatára és az ezzel járó veszélyekre vonatkozó szabályokat megismerte.
18. Ezt a készüléket kizárólag háztartási használatra tervezték.
19. Children must not play with the appliance. Cleaning or user maintenance of the appliance shall not be performed by children unless they are older than 8 years and supervised by adults.
20. Tartsa távol a 8 évnél fiatalabb gyermekeket a készüléktől és a tápkábeltől.
21. Távolítsa el a függönyöket, tüllöket, papírt vagy bármilyen gyúlékony anyagot a készülék közeléből, mielőtt használatba veszi. Ne tegyen gyúlékony anyagokat a készülékre vagy a készülékbe.
22. NE takarja le a szellőzőnyílásokat.
23. A készülék nem alkalmas külső időzítővel vagy külön távirányítóval történő használatra.
24. A sütő fogantyúja nem konyharuha szárító. Ne akasszon semmit a sütő fogantyújára.
25. Ne helyezze a sütőtálcákat, tányérokat vagy alumíniumfóliákat közvetlenül a sütőalapra. A felgyülemlett hő károsíthatja a készüléket.
26. Az ételek sütőbe helyezésekor, illetve az ételek sütőből való kivételekor stb. mindig használjon hőálló sütőkesztyűt.
27. Ne használja a terméket gyógyszeres kezelés és/ vagy alkoholos befolyásoltság alatt, mert ezek használata rontják az ítéletképességét.
28. Legyen óvatos, ha alkoholt használ az ételekhez. Az alkohol magas hőmérsékleten elpárolog és lángra lobbanhat, ha forró felületekkel érintkezik.
29. Minden használat után ellenőrizze, hogy a készülék ki van-e kapcsolva.
30. Ha a készülék meghibásodott vagy látható sérülése van, ne használja tovább.
31. Ne érintse meg a villásdugót nedves kézzel. Mindig a villásdugónál fogva húzza ki a tápkábelt a konnektorból.
32. Do not use the appliance with its front door glass removed or broken.

33. A sütőpapírt az étellel együtt helyezze előmelegített sütőbe úgy, hogy a sütőbe vagy sütő tartozékra (tálca, sütőrács stb.) helyezi.
34. Ne tegyen olyan tárgyakat a készülékre, amelyeket a gyermekek elérhetnek.
35. Fontos, hogy a sütőrácsot és a tálcát megfelelően helyezze a készülékbe. Helyezze a grillrácsot vagy a tálcát két sín közé, és győződjön meg arról, hogy az stabilan áll, mielőtt ételt helyezne rá.
36. Távolítsa el a sütőpapír azon felesleges részeit, amelyek a tartozékról vagy a tárolóedényről leelőgnak, nehogy hozzáérjenek a sütő fűtőelemeihez.
37. Soha ne használja a sütőpapírt a feltüntetett maximális használati hőmérsékletnél magasabb sütőhőmérsékleten. Ne helyezze a sütőpapírt a sütő aljára.
38. Ha az ajtó nyitva van, ne helyezzen nehéz tárgyat az ajtóra, és ne engedje, hogy gyerekek ráüljenek, mert balesetveszélyes és kárt tehet a készülékben is.
39. A csomagolóanyagok veszélyesek a gyermekekre. Tartsa a csomagolóanyagokat gyermekek számára elérhetetlen helyen.
40. Ne használjon súrolószereket vagy éles fémkaparókat az üveg tisztításához, mivel az ajtó üvegének felületén keletkező karcok az üveg törését okozhatják.
41. Ne helyezze a készüléket szőnyeggel borított felületre. Az elektromos alkatrészek túlmelegednek, mivel alulról nem lesz szellőzés és ez a készülék meghibásodásához vezet.
42. Ne üsse meg a vitro-kerámia tűzhelyek üvegfelületeit semmilyen tárggyal, mert a berendezés megsérülhet és áramütést okozhat.
43. A felhasználó ne kezelje egyedül a sütőt.
44. Food can spill when foot of oven is dismantled or gets broken, be careful. It may cause personal injuries.
45. A használat során a sütő belső és külső felületei felforrósodnak. Amikor kinyitja a sütő ajtaját, lépjen hátra, hogy elkerülje a belső térből kiáramló forró gőzt.
46. A sütő felső fedele lecsukható.
47. Ne tegyen nehéz tárgyakat a nyitott sütőajtóra, mert a készülék felborulhat.
48. Ügyeljen rá, hogy tisztítás közben ne rongálja meg a fűtőelemeket.
49. Ne vegye le a csatlókat a készülékről, mert így hozzáférhet a feszültség alatt álló elektromos alkatrészekhez, amelyek áramütést okozhatnak.
50. A sütő tápellátását le lehet választani bármilyen otthoni építési munka során. A munkálatok befejezése után a sütő újbóli csatlakoztatását a hivatalos szerviznek kell elvégeznie.
51. Ne helyezzen fém eszközöket, például kést, villát, kanalat a készülék felületére, mivel azok felforrósodnak.
52. A túlmelegedés elkerülése érdekében a készüléket nem szabad szorosan integrálni a konyhabútorba.
53. Kapcsolja ki a készüléket, mielőtt eltávolítja a védőburkolatokat. Tisztítás után az utasításoknak megfelelően szerelje vissza a védőburkolatokat.
54. A vezetékek rögzítési pontját védeni kell.
55. **FIGYELMEZTETÉS: Ne használja egyidejűleg a sütőt és a grill funkciót.**
56. Ne készítse az ételt közvetlenül a tálcán/rácson. Kérjük, hogy az ételeket a sütőbe helyezés előtt tegye a megfelelő eszközökbe vagy eszközökre.
57. A készülék felületei felforrósodnak használat közben, ezért hagyja kihűlni, mielőtt lezárja a fedelet.
58. **FIGYELMEZTETÉS: Ha a tűzhely üvege eltörik, azonnal áramtalanítsa a készüléket!**

## Elektromos biztonság

1. A készüléket kizárólag földelt konnectorhoz szabad csatlakoztatni, amelyet a műszaki adatok táblázatában megadott értékeknek megfelelő biztosíték véd.
2. Engedéllyel rendelkező villanszerelővel ellenőriztesse a védőföldet. Sem a gyártó, sem a forgalmazó nem tehető felelőssé a nem megfelelő üzemeltetésből eredő károkért.
3. Az áramköri kismegszakítóknek mindig hozzáférhetőnek kell lenniük.
4. Ügyeljen rá, hogy a tápkábel ne érintkezzen a készülék felmelegedő részeivel.
5. Ha a tápkábel megsérül, a további veszélyek elkerülése érdekében azt csak a gyártó, annak szakszervize, vagy egy megfelelő végzettséggel rendelkező szakember cserélheti ki.
6. Soha ne mossa le a terméket vízzel leöntve, mert az áramütést okozhat.
7. **FIGYELMEZTETÉS: Az áramütés elkerülése érdekében az izzó cseréje előtt áramtalanítsa a készüléket.**

8. FIGYELMEZTETÉS: Ha a felület repedezett, az áramütés veszélyének elkerülése érdekében kapcsolja ki a készüléket.
9. Ne használjon sérült tápkábelt, illetve az eredeti vezetéken kívül más hosszabbítót.
10. Győződjön meg arról, hogy nincs folyadék vagy nedvesség abban a konnektorban, ahová a terméket fogja csatlakoztatni.
11. Használat közben a sütő hátsó felülete is felmelegszik. Ügyeljen rá, hogy az elektromos csatlakozók nem érhetnek a hátsó felülethez, különben megsérülhetnek.
12. A tápkábelt a forró felületektől messze kell elvezetni, ellenkező esetben megsérülhetnek és balesetet okozhatnak. Unplug the unit during installation, maintenance, cleaning and repair.
13. Telepítés, karbantartás, tisztítás és javítás idejére áramtalanítani kell a készüléket.
14. A szikrakeletkezés elkerülése érdekében győződjön meg arról, hogy a villásdugó szilárdan csatlakozik-e fali aljzatba.
15. Ne használjon gőztisztítót a készülék tisztításához, mert a lecsapódó gőz áramütést okozhat.
16. An omnipolar switch capable to disconnect power supply is required for installation. Disconnection from power supply shall be provided with a switch or an integrated fuse installed on fixed power supply according to building code.
17. Fixed connections shall be connected to a power supply enabling omnipolar disconnection. For appliances with over voltage category below III, disconnection device shall be connected to fixed power supply according to wiring code.

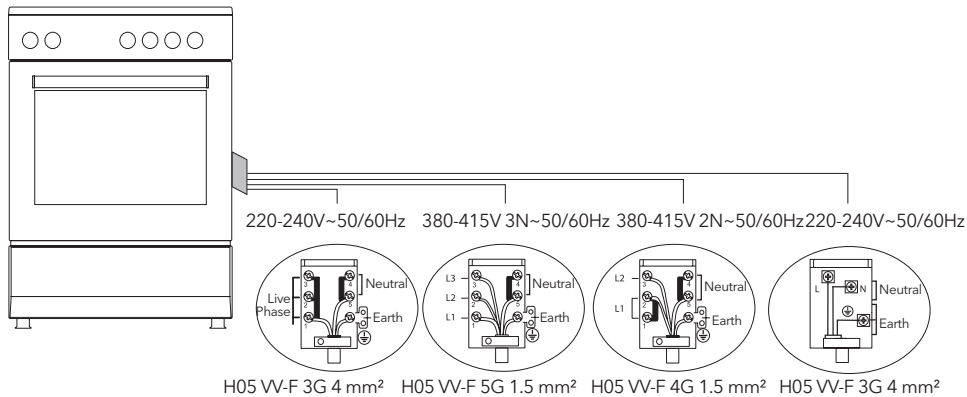
## Rendeltetésszerű használat

1. Ezt a terméket háztartási használatra tervezték, kereskedelmi felhasználása nem megengedett.
2. Ez a készülék kizárólag főzési célokra használható. Nem használható például helyiségek felfűtésére.
3. Ez a készülék nem használható a grill alá tett tányérok melegítésére, ruhák vagy törölközők szárítására a fogantyúra akasztással vagy fűtésre.
4. A gyártó nem vállal felelősséget a helytelen használatból vagy rossz kezelésből eredő károkért.
5. Oven part of the unit may be used for thawing, roasting, frying and grilling food.

## Elektromos csatlakoztatás

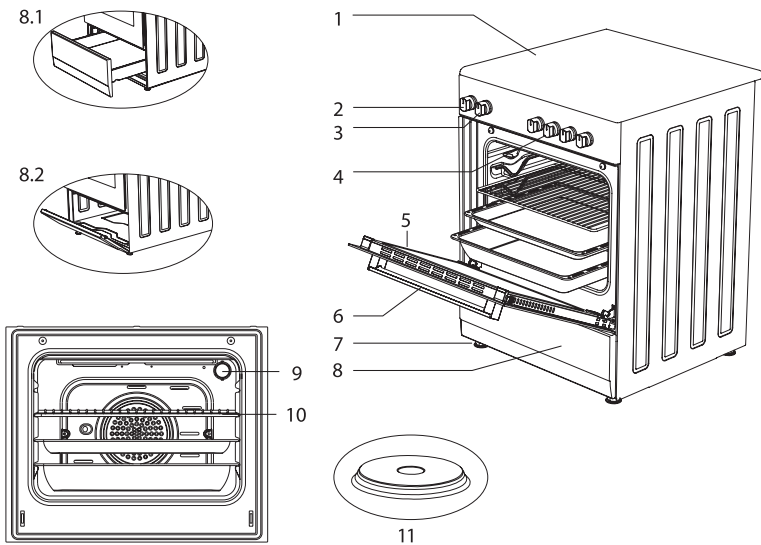
1. Az Ön sütője 40 Amperes biztosítékot igényel egyfázisú, vagy 3x16 Amper biztosítékot háromfázisú tápellátáshoz az elektromos teljesítménytől függően, mivel a tűzhelyrész 4 kerámia fűtőtesttel és a sütőrész elektromos modellekkel rendelkezik. A telepítés szakképzett villanyszerelő által kötelező.
2. Az Ön sütője 220-240V / 380-415V AC, 50/60Hz. elektromos hálózatnak megfelelően van beállítva. Ha a hálózat eltér ettől a megadott értéktől, forduljon a hivatalos szervizhez.
3. A sütő elektromos csatlakoztatása csak a helyi előírásoknak megfelelően kiépített földelőrendszerrel ellátott csatlakozókhoz/aljzatokhoz történhet. Ha a sütő telepítési helyén nincsenek földelő berendezések, mindenképp szakirányú villanyszerelőhöz kell fordulni segítségért. A gyártó nem vállal felelősséget a földelőtlen rendszerhez csatlakoztatott készülékek által okozott károkért.
4. Ha a tápkábel megsérül, a további veszélyek elkerülése érdekében azt csak a gyártó, annak szakszerve, vagy egy megfelelő végzettséggel rendelkező szakember cserélheti ki.
5. Az elektromos kábel nem érhet a készülék forró részeihez.
6. A sütőt száraz környezetben üzemeltesse.
7. Amikor a sütőt beállítja a helyére, ügyeljen arra, hogy annak teteje a pulttal egy síkba essen. Szükség esetén a lábak állításával változtathat a készülék magasságán.

## Elektromos csatlakozás



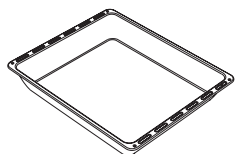
## A KÉSZÜLÉK BEMUTATÁSA

Modellek: CS5400SW, CS6400SW, CS5400SX, CS6400SX

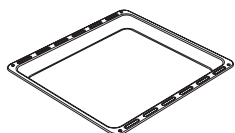


- |  |                                  |
|--|----------------------------------|
| 1. Üveg fedőlap                            | 8. Alsó tárolórekeszajtó         |
| 2. Sütő hőmérsékletszabályzó               | 8.1. Fiók                        |
| 3. Sütővezérlő gomb                        | 8.2. Lenyíló ajtó                |
| 4. Szabályozók az üvegkerámia főzőlapokhoz | 9. Izzó                          |
| 5. Sütőajtó                                | 10. Sütőrács                     |
| 6. Fogantyú                                | 11. Főzőlap (145 mm vagy 185 mm) |
| 7. Műanyag láb                             |                                  |

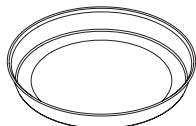
## Tartozékok

**Mély sütőtepsi\***

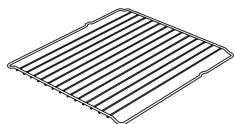
Tésztákhoz, nagy sültetekhez, vizes ételekhez. Zsiradékgyűjtő edényként is használható, ha közvetlenül a sütőrácsra sütjük a süteményt, a fagyasztott ételeket, vagy a húseleket.

**Tepsi / Üvegtepsi\***

Tésztákhoz (süti, keksz stb.), fagyasztott élelmiszerekhez.

**Kör alakú tepsi\***

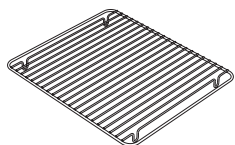
Tésztákhoz, fagyasztott élelmiszerekhez.

**Sütőrács**

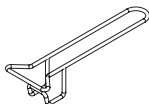
Sütéshez vagy a sütés után lehűteni kívánt ételek elhelyezéséhez.

**Teleszkópos sín\***

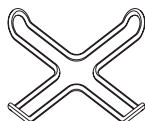
A tálcák és sütőrácsok a teleszkópos síneknek köszönhetően könnyen be- és kivehetők.

**Tepsibe helyezhető sütőrács\***

A sütés közben leragadós ételeket, például a steak-et a lábas sütőrácsra helyezze el, így megakadályozható azok leragadása.

**Tepsifogantyú\***

Kiegészítő a forró tepsik kezeléséhez.

**Kávéfőző tartókonzol\***

Kávéfőzőhöz is használható.

## A sütő műszaki jellemzői

Műszaki adatok	50x55	50x60	60x60
Külső szélesség	500 mm	500 mm	600 mm
Külső mélység	565 mm	630 mm	630 mm
Külső magasság	855 mm	855 mm	855 mm
Lámpa teljesítménye	15-25 W		
Alsó fűtőelem	1000 W	1000 W	1200 W
Felső fűtőelem	800 W	800 W	1000 W
Turbo fűtőelem	-----	1800 W	2200 W
Grill fűtőelem	1500 W	1500 W	2000 W
Tápellátási feszültség	220-240V AC/380-415V AC 50/60 Hz		
Főzőlap 145 mm *	1000 W		
Főzőlap 180 mm *	1500 W		
Gyors főzőlap 145 mm *	1500 W		
Gyors főzőlap 180 mm *	2000 W		



### FIGYELEM!

- **FIGYELEM:** A felhatalmazott szerviz által elvégzendő módosításhoz ezt a táblázatot kell figyelembe venni. A gyártó nem vállal felelősséget a hibás módosítások miatt felmerülő problémákért.
- **FIGYELEM:** A gyártó a termék minőségének javítása érdekében a műszaki specifikációkat előzetes értesítés nélkül megváltoztathatja.
- **FIGYELEM:** A készülékkel vagy a kísérő dokumentumokkal együtt a megadott értékek a vonatkozó szabványoknak megfelelő laboratóriumi vizsgálatok alapján mért értékek. Ezek az értékek a használat és a környezeti feltételek függvényében eltérhetnek.



# A SÜTŐ TELEPÍTÉSE

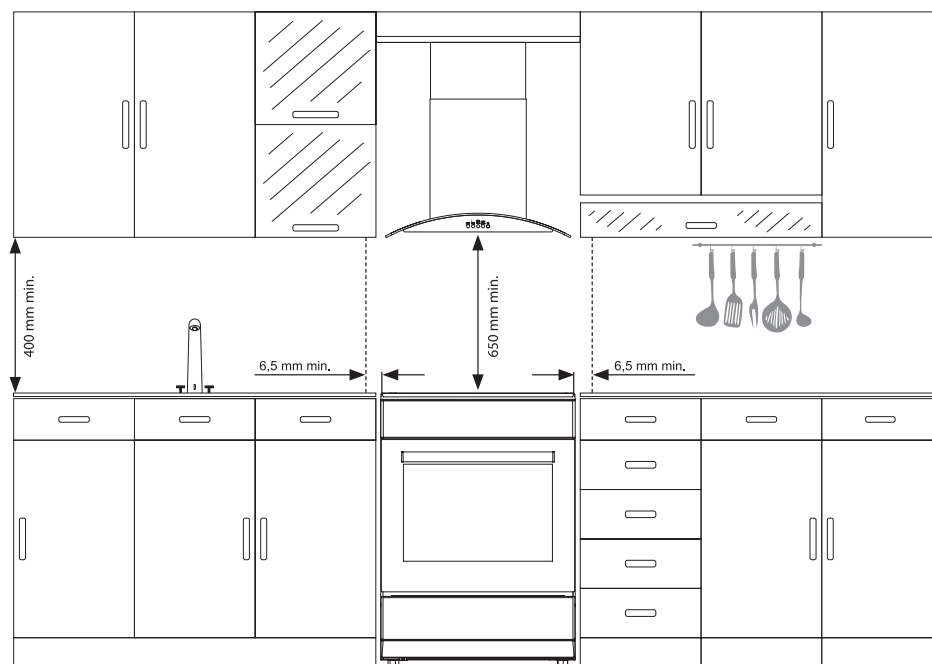
Ellenőrizze, hogy az elektromos beszerelés megfelelő-e ahhoz, hogy a készüléket elindítsa. Amennyiben hibát tapasztal, hívjon egy villanyszerelőt és gázszerelőt a helyes beszerelés elvégzéséhez. A gyártó nem vállal felelősséget az illetéktelen személyek által végzett műveletek által okozott károkért.

## ⚠ FIGYELEM!

- **FIGYELEM:** Az ügyfél felelőssége a termék végleges helyének előkészítése, valamint az elektromos szerelés előkészítése.
- **FIGYELEM:** A termék telepítése során be kell tartani az elektromos berendezésekre vonatkozó helyi előírásokat.
- **FIGYELEM:** Ellenőrizze, hogy a készülék nem sérült-e meg, mielőtt beszerelné. Ne telepítse a terméket, ha az bármilyen módon megrongálódott. A sérült termékek veszélyeztetik az Ön és családja biztonságát.

## A beszerelés megfelelő helye és fontos figyelmeztetések

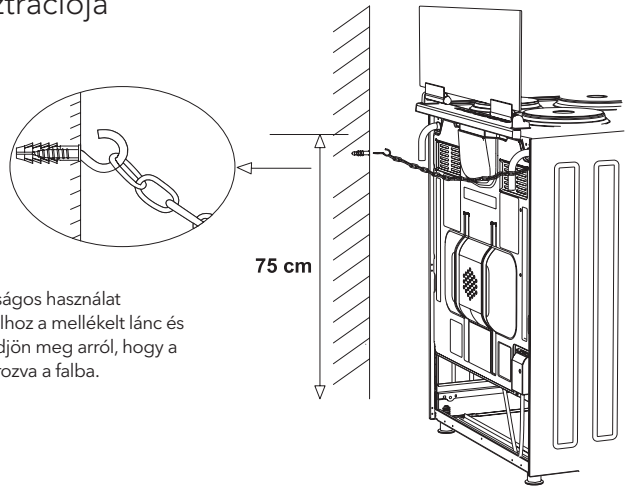
- A készüléket nem szabad puha felületre, például szőnyegekre helyezni. A padlónak elég stabilnak kell lennie ahhoz, hogy elbírja a készülék súlyát és a sütőn esetleg használt egyéb konyhai eszközöket is.
- A készüléket úgy kell elhelyezni, hogy a felső főzőlapok felett legalább 400 mm, az oldalsó felületektől pedig 65 mm távolság legyen (az ábra szerint).
- A készülék szabadon, szekrénybe való beépítés nélkül is használható. Ha a főzőlap fölé páraelszívó vagy szagelszívó kerül beépítésre, kövesse a gyártó utasításait a beépítési magasságra vonatkozóan. (min. 650 mm)



## ⚠ FIGYELEM!

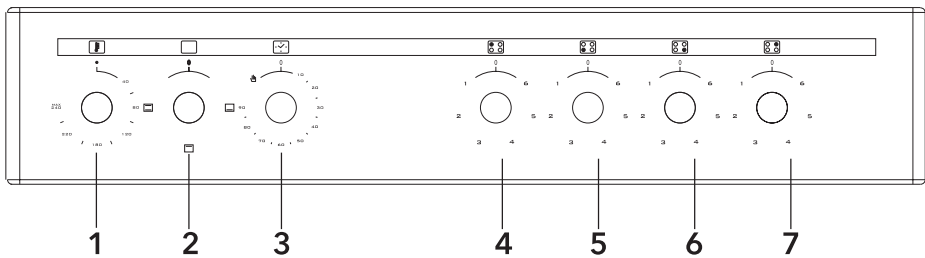
- **FIGYELEM:** A készülék közelében lévő konyhabútoroknak hőállónak kell lenniük.
- **FIGYELEM:** Ne helyezze a készüléket hűtőszekrények vagy fagyasztók mellé. A készülék által kisugárzott hő növeli a hűtőberendezések energiafogyasztását.
- **FIGYELEM:** Ne használja az ajtót és/vagy a fogantyút a készülék mozgására.

## Láncos rögzítés illusztrációja



A készülék használata előtt, a biztonságos használat érdekében rögzítse a készüléket a falhoz a mellékelt lánc és kampós csavar segítségével. Győződjön meg arról, hogy a kampó biztonságosan be van csavarozva a falba.

## VEZÉRLŐPANEL

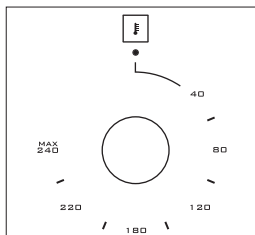


- |                         |                        |
|-------------------------|------------------------|
| 1. Termosztát           | 5. Bal első főzőzóna   |
| 2. Funkcióválasztó gomb | 6. Jobb első főzőzóna  |
| 3. Mechanikus időzítő * | 7. Jobb hátsó főzőzóna |
| 4. Bal hátsó főzőzóna   |                        |

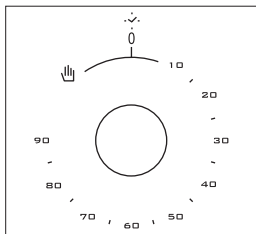


### FIGYELEM!

A fenti vezérlőpanel csak illusztráció, a tényleges modellel eltérő lehet.



**Termosztát:** A sütőben készülő étel sütési hőmérsékletének beállítására szolgál. Miután betette az ételt a sütőbe, állítsa be a kívánt hőmérsékletet a kapcsoló elforgatásával 40-240 °C között. A különböző ételekhez szükséges hőmérsékletet lásd a sütési táblázatban.



**Mechanikus időzítő\*:** A sütés időtartamának beállítására szolgál. A megadott idő leteltével a sütő kikapcsol, és a készülék egy hangjelzést ad. A mechanikus időzítő 0-90 perc között állítható be a kívánt időtartamra. A különböző ételekhez szükséges időtartamot lásd a vonatkozó táblázatban.

## SÜTŐ HASZNÁLATA

### A sütő használata

1. A sütő első alkalommal égett szagot bocsájt ki, amely a fűtőelemek használatából származik. Ennek megszüntetése érdekében üres állapotban 45-60 percig 240 °C-on működtesse a sütőt.
2. A sütő szabályozógombját a kívánt értékre kell állítani, különben a sütő nem működik.
3. Az ételfajtákat, a sütési időket és a termosztát állásait a sütési táblázat tartalmazza. A főzési táblázatban megadott értékek hozzávetőleges, átlagos értékek, és a laboratóriumunkban végzett tesztek eredményeként kaptuk őket. Az Ön főzési és használati szokásaitól függően ez eltérhet.
4. A tartozékok segítségével a sült csirkét forgás közben is megsűtheti.
5. A megadott sütési idők a különböző minőségű, mennyiségű és hőmérsékletű anyagtól függően változhatnak.
6. A sütés ideje alatt az ajtót nem szabad gyakran kinyitni, mert a hőkeringés kiegyensúlyozatlanná válhat, és a végeredmény nem lesz tökéletes.

### A grillsütő használata

1. Ha a felső rácsra helyezi az ételt, akkor ügyeljen rá, hogy az ne érjen hozzá a grillsütő részhez.
2. Grillezés előtt a sütőt 5 percig előmelegítheti, szükség esetén az ételt folyamat közben megfordíthatja.
3. Az ételt a sütőrács közepére tegye, hogy a sütő maximális hatékonysággal működhessen.

#### A grill bekapcsolása;

1. Állítsa a funkciógombot a grill szimbólumra.
2. Ezután állítsa be a kívánt grillhőmérsékletet.

#### A grill kikapcsolása;

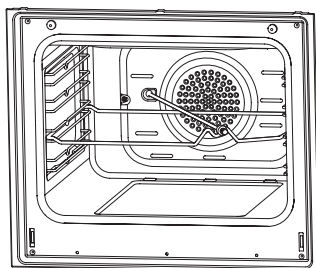
Állítsa a funkciógombot kikapcsolt állásba.



#### FIGYELEM!

Grillezés közben tartsa zárva a sütő ajtaját. (elektromos grill)

### A grillcsirke forgató\*



Helyezze a nyársat a keretre az ábrán látható módon, majd tegye be a sütőbe a kívánt szintre. Tegyen egy edényt a sütő aljára, hogy összegyűjtse a lecsepegett zsiradékot. Ne felejtse el eltávolítani a nyársról a műanyag részt! Grillezés után tekerje fel a nyársra a műanyag fogantyút, és vegye ki az ételt a sütőből.

## Elektromos főzőlap használata

Szint ->	1	2	3	4	5	6
80 mm	200 W	250 W	450 W	---	---	---
145 mm	250 W	750 W	1000 W	---	---	---
180 mm	500 W	750 W	1500 W	---	---	---
145 mm gyors	500 W	1000 W	1500 W	---	---	---
180 mm gyors	850 W	1150 W	2000 W	---	---	---
145 mm	95 W	155 W	250 W	400 W	750 W	1000 W
180 mm	115 W	175 W	250 W	600 W	850 W	1500 W
145 mm gyors	135 W	165 W	250 W	500 W	750 W	1500 W
180 mm gyors	175 W	220 W	300 W	850 W	1150 W	2000 W
220 mm	220 W	350 W	560 W	910 W	1460 W	2000 W

1. Az elektromos főzőlapok 6 fokozattal rendelkeznek.
2. Az első használat előtt az elektromos főzőlapot 5 percig a 6. fokozaton működtesse.
3. Használjon sík aljú edényeket, amelyek jobban érintkeznek a hőleadó felülettel, így hatékonyabban tudja az energiát felhasználni.



### FIGYELEM!

A készülék intenzív használata során a főzőlap és környéke elszíneződhet, de ez a működést nem befolyásolja és nem meghibásodás.



Helyes



Helytelen



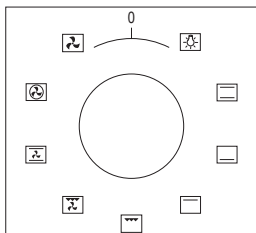
Helytelen



Helytelen

# PROGRAM TÍPUSOK

Modellek: CS5400SW, CS6400SW, CS5400SX, CS6400SX



**Funkciógomb:** A sütő programvezérlésére szolgáló funkcióválasztó gomb, melyek az alábbi táblázatban részletezve vannak. Nem mindegyik modell esetében érhető el.

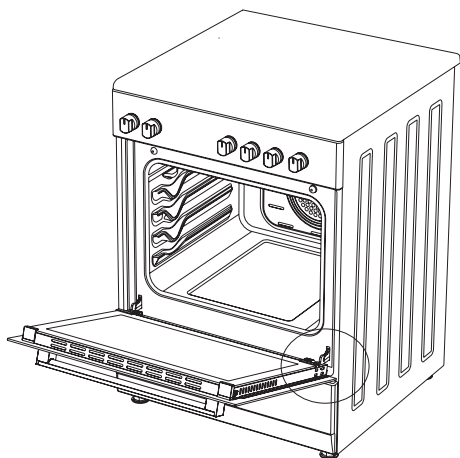
	Nyársforgatás		Légkeverés
	Felső + alsó fűtőelem		Turbófűtés + légkeverés
	Világítás		Alsó + felső fűtőelemek + légkeverés
	Alsó fűtőelem+ légkeverés		Grill fűtőelem+légkeverés
	Grill fűtőelem + nyársforgatás		Grillégő / Grill fűtőelem
	Grill fűtőelem+Lámpa		Felső fűtőelem
	Elektromos időzítő		Sütőégő / alsó fűtőelem



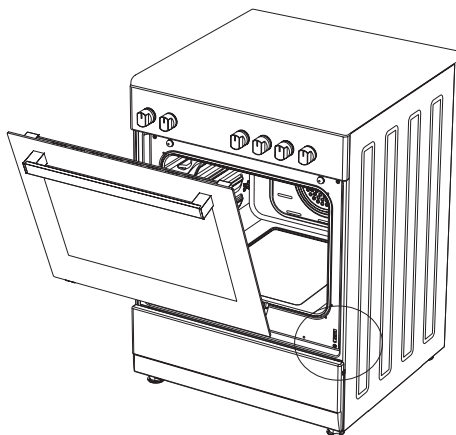
## FIGYELEM!

Más és más funkció érhető el az egyes modelleken.

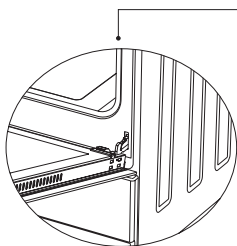
# A SÜTŐAJTÓ BESZERELÉSE



1. ábra

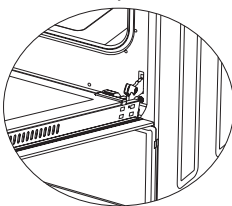


2. ábra



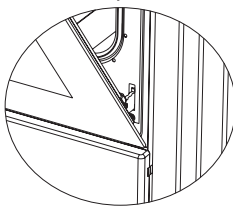
1.1. ábra

Nyissa ki teljesen a sütő ajtaját. A 1.1. ábrán látható módon egy csavarhúzó segítségével húzza felfelé a zsanérrárat.



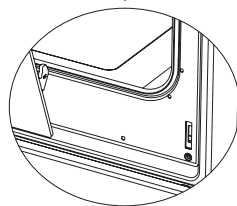
1.2. ábra

A 1.2. ábrán látható módon állítsa a zsanérrárat a legnagyobb szögbe. A sütőajtót a sütővel összekötő mindkét zsanérrát állítsa ugyanabba a helyzetbe.



2.1. ábra

Ezután zárja be a sütőajtót úgy, a 2.1. ábrán látható módon az a zsanérrátra támaszkodjon.



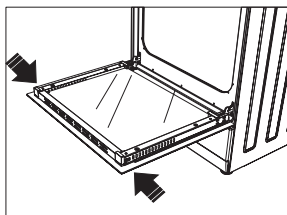
2.2. ábra

A sütő ajtajának eltávolításához húzza felfelé a 2.2. ábrán látható módon, amikor már közel van a zárt helyzethez.

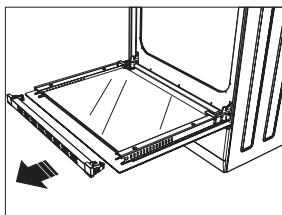
A sütőajtó visszahelyezéséhez végezze el a fent említett lépéseket fordított sorrendben.

## A sütő elülső ajtóüvegének tisztítása és karbantartása

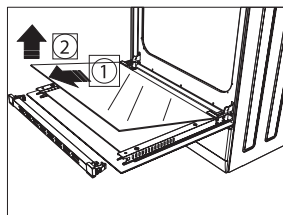
Vegye le a profilt a bal és jobb oldali műanyag reteszek megnyomásával, ahogyan az a 3. ábrán látható, és húzza maga felé a 4. ábrán látható módon. Távolítsa el a belső üveget a 5. ábrán látható módon, szükség esetén a középső üveg ugyanígy eltávolítható. A tisztítás és karbantartás elvégzése után fordított sorrendben szerelje vissza az üvegeket és a profilt. Győződjön meg róla, hogy a profil megfelelően a helyén van.



3. ábra



4. ábra



5. ábra

### Katalitikus falak\*

A katalitikus falak a sütőtér bal és jobb oldalán, a vezetőrácsok alatt helyezkednek el. A katalitikus falak elűzik a kellemetlen szagokat és a legjobb teljesítményt hozzák ki a tűzhelyből. A katalitikus falak felszívják az olajmaradványokat is, és működés közben tisztítják a sütőt is.

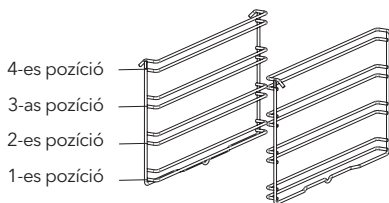
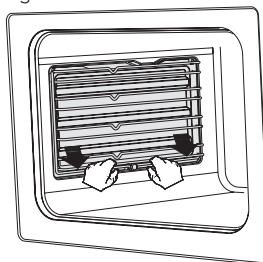
### A katalitikus falak eltávolítása

A katalitikus falak eltávolításához a tepsitartó konzolt ki kell húzni a helyéről, ami után a katalitikus falak automatikusan kioldódnak. Ezeket 2-3 évente ki kell cserélni egy új darabra.

### Oldalrács pozíciói

Fontos, hogy az oldalrácsot megfelelően helyezze be a sütőbe. Ügyeljen rá, hogy ne érjen a sütő hátsó falához. A rácsok pozícióit a következő ábra mutatja.

Figure 6



### Az oldalrácsok beszerelése és eltávolítása

Az oldalrácsok eltávolításához nyomja meg az ábrán nyilakkal jelzett rögzítőelemeket. Először az alsó, majd a felső részt távolítsa el. Az oldalrácsok beszereléséhez végezze el a műveletet fordított sorrendben.

### A sütőlámpa cseréje

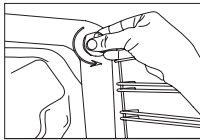


**FIGYELEM!**

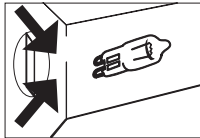
Az áramütés elkerülése érdekében a lámpa cseréje előtt áramtalanítsa a készüléket és győződjön meg arról, hogy megfelelően lehűlt már.

Az ábrán látható módon forgassa el és vegye le az védőüveget. Ha nehezen tudja elfordítani, akkor egy műanyag kesztyű használata segíthet.

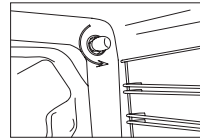
Ezután csavarja ki az izzót, és helyezze be az újat. Csak a gyárral megegyező specifikációt szabad használni! Szerelje vissza a védőüveget és csatlakoztassa újból a készüléket az áramforráshoz.

**G9 típusú lámpa**

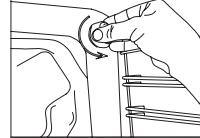
220-240 V, AC 15-25 W



7. ábra

**E14 típusú lámpa**

220-240 V, AC 15 W



8. ábra

**A grillterelő lap használata \***

1. A biztonsági panel a vezérlőpanel és a gombok védelmére szolgál, amikor a sütő grill üzemmódban van. (9. ábra)
2. Használja ezt a biztonsági panelt, hogy a hő ne károsítsa a vezérlőpanelt és a gombokat, amikor a sütő grill üzemmódban van.

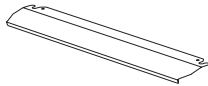
**FIGYELEM!**

A sütő részei felforrósodnak használat közben. Tartsa távol gyermekeit a készüléktől.

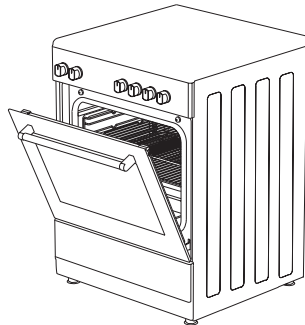
3. Helyezze a biztonsági panelt a vezérlőpanel alá a sütőajtó kinyitásával. (10. ábra)
4. Rögzítse a biztonsági panelt a sütő és az első fedlap közé az ajtó óvatos becsukásával. (11. ábra)
5. Fontos, hogy grill üzemmódban a sütéskor a sütőajtót a megadott távolságban tartsa nyitva.
6. A biztonsági panel ideális sütési körülményeket biztosít, miközben védi a kezelőpanelt és a gombokat.

**FIGYELEM!**

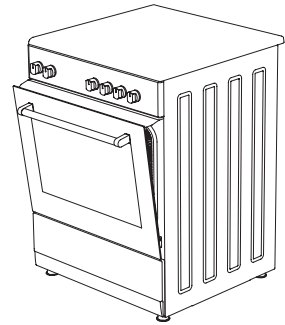
Ha a tűzhely a termosztáttal ellátott "zárt grillfunkcióval" rendelkezik, akkor a sütő ajtaját működés közben zárva tarthatja; ebben az esetben a grillterelő lap szükségtelen. operation; in this case the grill deflector sheet will be unnecessary.



9. ábra



10. ábra



11. ábra



# HIBAELEHÁRÍTÁS

A termékkel kapcsolatos esetlegesen felmerülő problémákat a következő pontok ellenőrzésével oldhatja meg. Ha a hiba továbbra is fennáll, lépjen kapcsolatba a szervizközponttal.

## Ellenőrzési pontok

Ha problémát tapasztal a sütővel kapcsolatban, először nézze át az alábbi táblázatot.

Probléma	Lehetséges ok	Mi a teendő
A sütő nem működik.	Az áramforrás nem működik.	Ellenőrizze az áramellátást.
A sütő leáll a sütés közben.	A villásdugó kijön a fali aljzatból.	Helyezze vissza a villásdugót a fali aljzatba.
Kikapcsol sütés közben.	Túl hosszú folyamatos működés.	Hosszú sütési ciklusok után hagyja kihűlni a sütőt.
	Több eszköz van csatlakoztatva ugyanazon konnektorhoz.	Minden fali aljzathoz csak egy villásdugót használjon.
A sütő ajtaja nem nyílik megfelelően.	Az ajtó és a sütőtér közé ételmaradék szorult.	Tisztítsa meg alaposan a sütőt, és próbálja meg újra kinyitni az ajtót.
Elektromos áramütés a sütő megérintésekor.	Nincs megfelelő földelés.	Győződjön meg róla, hogy a konnektort megfelelően földelték.
	Földeletlen fali aljzatot használnak.	
Csöpög a víz.	Bizonyos körülmények között víz vagy gőz keletkezhet a főzött ételtől függően. Ez nem a készülék hibája.	Hagyja kihűlni a sütőt, majd törölje szárazra egy konyharuhával.
A sütő ajtaján lévő résen gőz jön ki.		
A sütőben maradt víz.		
Működés közben füst szivárog.	A sütő első használatakor.	A fűtőtestekből füst száll ki, ami nem hiba. 2-3 ciklus után már nem fog füstölni.
	Ételmaradvány a fűtőberendezésen.	Hagyja kihűlni a sütőt, és tisztítsa meg a fűtőtestet az ételmaradékoktól.
A sütő működtetésekor égett műanyag szag érezhető.	A sütőben műanyag vagy más, nem hőálló tartozékokat használnak.	Magas hőmérsékleten használjon megfelelő üvegedénytartozékokat.
A sütő nem melegszik.	A sütő ajtaja nyitva van.	Zárja be az ajtót, és indítsa újra.
	A sütő kezelőszervei nincsenek megfelelően beállítva.	Olvassa el a sütő működésére vonatkozó részt, és indítsa újra a sütőt.
	A biztosíték kioldott vagy a megszakító lekapcsolt.	Cserélje ki a biztosítékot, vagy állítsa vissza a megszakítót. Ha ez gyakran ismétlődik, hívjon villanyszerelőt.
A sütő nem süt jól.	A sütő ajtaját sütés közben gyakran kinyitja.	Ne nyissa ki túl gyakran a sütő ajtaját, ha az étel nem igényel forgatást. Ha gyakran nyitja az ajtót, a belső hőmérséklet csökken, és ezáltal a sütés eredménye is romlik.

Probléma	Lehetséges ok	Mi a teendő
A belső világítás halvány vagy nem működik.	A lámpát sütés közben eltakaró idegen tárgy.	Tisztítsa meg a sütő belső felületét, és ellenőrizze újra.
	A izzó meghibásodhatott.	Cserélje ki egy azonos specifikációjú izzóra.

## KEZELÉSI SZABÁLYOK

1. Ne használja az ajtót és/vagy a fogantyút a készülék hordozására vagy mozgatására.
2. A mozgatás és a szállítás az eredeti csomagolásban történjen.
3. A be- és kirakodás és a kezelés során fordítson maximális figyelmet a készülékre.
4. Ügyeljen arra, hogy a csomagolás a kezelés és szállítás során biztonságosan zárva legyen.
5. Védje a külső behatásoktól (pl. nedvesség, víz stb.), amelyek károsíthatják a csomagolást.
6. Ügyeljen arra, hogy ne érje külső erőbehatás a készüléket a kezelés és szállítás során.

## ENERGIATAKARÉKOSSÁGI AJÁNLÁSOK

Az alábbi tippek segítenek Önnek abban, hogy termékét környezetbarát és gazdaságos módon használja.

1. Használjon sötét színű és zománcozott edényeket, amelyek jobban vezetik a hőt a sütőben.
2. Ha a recept vagy a használati útmutató szerint előmelegítésre van szükség, akkor az ételek elkészítése közben melegítse elő a sütőt.
3. Sütés közben ne nyissa ki gyakran a sütő ajtaját.
4. Próbáljon meg egyszerre több ételt sütni a sütőben úgy, hogy két sütőedényt helyez a rácsra.
5. Több ételt süssön egymás után, mert így a sütő nem veszít hőt.
6. Kapcsolja ki a sütőt néhány perccel a sütési idő lejárta előtt. Ebben az esetben ne nyissa ki a sütő ajtaját.
7. Sütés/főzés előtt olvassa ki a fagyaszott ételeket.

## ÁRTALMATLANÍTÁS



A szimbólum azt jelzi, hogy a helyi törvényeknek és előírásoknak megfelelően a készüléket a háztartási hulladéktól elkülönítve kell a hulladékba helyezni. Ha a termék eléri élettartama végét, vigye a helyi hatóságok által kijelölt gyűjtőpontra. A készülék elkülönített módon történő gyűjtése és újrahasznosítása segít megővni a természeti erőforrásokat, és biztosítja, hogy az újrahasznosítás az emberi egészség és a környezet védelmével összhangban történjen. A termék újrahasznosítása érdekében további információért forduljon az illetékesekhez, a helyi hulladékgyűjtő szolgáltatóhoz vagy ahhoz az üzlethez, ahol a terméket megvásárolta.

## CSOMAGOLÁSI INFORMÁCIÓ

A termék csomagolóanyagai újrahasznosítható anyagokból készülnek a nemzeti környezetvédelmi előírásoknak megfelelően. Ne dobja ki a csomagolóanyagokat a háztartási vagy egyéb hulladékkal együtt. Vigye azokat a helyi hatóságok által kijelölt gyűjtőhelyekre.

Почитуван корисник,

Ви предлагаме внимателно да го прочитате упатството за употреба пред да го користите производот и да го чувате постојано кај васотстранување.



Ова упатство за употреба е подготвено за повеќе од еден модел. Некои од функциите наведени во Прирачникот можеби не седостапни во вашиот апарат.

Сите наши апарати се само за домашна употреба, а не за комерцијална употреба. Производите означени со (\*) се опционални.

**Во согласност со регулативите за ОЕЕЕ.**

## ВАЖНИ ПРЕДУПРЕДУВАЊА

- Инсталирањето и поправката секогаш треба да ги врши **„ОВЛАСТЕН СЕРВИС“**. Производителот нема да биде одговорен за извршените операциии од неовластени лица.
- Ве молиме внимателно прочитајте го ова упатство за работа. Само така можете безбедно и на правилен начин да го користите апаратот.
- Рерната треба да се користи според работатаинструкциите.
- Чувајте ги децата на возраст под 8 години и миленичињата подалеку кога работите.
- ПРЕДУПРЕДУВАЊЕ: Достапните делови може да бидат жешки додека ја користите скарата. Да се чува подалеку од деца.**
- ПРЕДУПРЕДУВАЊЕ: Опасност од пожар; не чувајте ги материјалите на површината за готвење.**
- ПРЕДУПРЕДУВАЊЕ: Апаратот и неговите достапни делови се жешки за време на работата.**
- Условите за поставување на овој уред се наведени на етикетата. (Или на табличката со податоци)
- Достапните делови може да бидат жешки кога се користи скарата. Малите деца треба да се држат настрана.
- ПРЕДУПРЕДУВАЊЕ: Овој апарат е наменет за готвење. Не треба да се користи за други намени како затоплување соба.**
- За чистење на апаратот, не користете средства за чистење на пареа.
- Погрижете се вратата на рерната да е целосно затворена откако ќе ставите храна внатре во рерната.
- НИКОГАШ не обидувајте се да го изгаснете огнот со вода. Само исклучете го колото на уредот и потоа покријте го пламенот со капак или противпожарно ќебе.
- Деца под 8-годишна возраст треба да се чува настрана, доколку не може постојано да се следи.
- Треба да се избегнува допирање на грејните елементи.
- ВНИМАНИЕ: Процесот на готвење треба да се надгледува. Процесот на готвење секогаш треба да се надгледува.**
- Овој уред може да го користат деца над 8 години, луѓе со физички, слух или ментални предизвици или луѓе со недостаток на искуство или знаење; се додека е обезбедена контрола или се даваат информации за опасностите.
- Овој уред е дизајниран за употреба во домаќинствотосамо.
- Децата не смеат да си играат со апаратот. Чистењето или корисничкото одржување на апаратот не смеат да го вршат деца освен ако се постари од 8 години и под надзор на возрастни.
- Чувајте го апаратот и неговиот кабел за напојување подалеку од деца помали од 8 години.
- Ставете ги завесите, тулите, хартијата или кој било запалив (запалив) материјал подалеку од апаратот пред да почнете да го користите апаратот. Не ставајте запаливи или запаливи материјали на или во апаратот.
- Чувајте ги вентилационите канали отворени.
- Апаратот не е погоден за употреба со надворешен тајмер или посебен далечински управувачсистем.
- Не загревајте затворени лименки истаклени тегли. Притисокот може да доведе до експлозија на теглите.
- Рачка на рернатане е машина за сушење пешкири. Не закачувајте крпи и слично на рачката на рерната.
- Не ставајте ги тавите, чиниите или алуминиумските фолии директно на основата на рерната. Акумулираната топлина може да ја оштети основата напечка.
- Додека ставате храна или ја отстранувате храната одрерна, итн., секогаш користете ракавици за рерна отпорни на топлина.
- Не користете го производот во состојби како што се лекови и/или под дејство на алкохол што можевлијае на вашата способност за расудување.
- Бидете внимателни кога користите алкохол во вашата храна.Алкохолот ќе испари на високи температури и може да се запали и да предизвика пожар доколку дојде во допир со жешки површини.
- По секоја употреба, проверете дали уредот е исклучен.
- Ако апаратот е неисправен или има видно оштетување, не ракувајте со апаратот.

32. Не допирајте гоприклучок со влажни раце. Не влечете го кабелот за да го исклучите, секогаш држете го приклучокот.
33. Не користете го апаратот со стаклото на предната врата отстранети или скршени.
34. Ставете ја хартијата за печење заедно со храната во претходно загреана рерна така што ќе ја ставите во шпорет илина додаток на рерната (послужавник, жичена решетка итн.).
35. Не ставајте предмети што децата може да ги дофататапаратот.
36. Важно е правилно да ги поставите жичаната скара и фиоката на жичаните решетки и/или правилно да ја поставите фиоката на решетката. Ставете ја решетката или плехот помеѓу две шини и проверете дали е избалансиран претходноставање храна врз неа.
37. Против ризикот од допирање на грејчат на рернатаелементи, отстранете ги вишокот делови од хартијата за печење што висат од додатокот или садот.
38. Никогаш не го користете на повисоки температури на рерната од максималната температура на употреба наведена на вашатахартија за печење. Не ставајте ја хартијата за печење на основата на рерната.
39. Кога вратата е отворена, не ставајте тешки предмети на вратата и не дозволувајте децата да седат на неа. Може да предизвикате превртување на рерната или оштетување на шарките на вратата.
40. Материјалите за пакување се опасниза деца. Чувајте ги материјалите за пакување подалеку од дофат на деца.
41. Не користете абразивни средства за чистење или остри метални стругалки за чистење на стаклото бидејќи гребаниците што може да се појават на површината на стаклото на вратата може да предизвикаат кршење на стаклото.
42. Не ставајте го апаратотна површина покриена со теписи. Електричните делови се прегреваат бидејќи нема да има вентилација одоздола. Ова ќе предизвика дефект на апаратот.
43. Не удирајте ги стаклените површини на витро-керамичките шпорети со тврд метал, отпорот може да се оштети. Може да предизвика електричен удар.
44. Корисникот не треба сам да ракува со рерната.
45. Храната може да се истури кога ногата на рерната ќе се расклопи или ќе се скрши, внимавајте. Тоа може да предизвика личниповреди.
46. За време на употребата, внатрешните и надворешните површини на рерната се загреваат. Додека ја отворате вратата на рерната, отстапете се за да избегнете жешка параа да излегува од неавнатрешни работи. Постои ризик од горење.
47. Горниот капак на рернатаможе да се затвори со причина, бидејќи садовите за готвење може да се сопнат. Вратете се нааназад за да избегнете топла храна да ви доаѓа. Постои ризик од горење.
48. Не ставајте тешки предмети кога е вратата на рернатаотворен, ризик од соборување.
49. Корисникот не треба да го дислоцира отпорот за време на чистењето. Може да предизвика електричен удар.
50. Не вадете ги прекинувачите за палење од апаратот. Во спротивно, може да се пристапи до електрични кабли под напон. Може да предизвика електричен удар.
51. Напојувањето на рерната може да се исклучи за време на кое билоградежни работи дома. По завршувањето на работата, повторното поврзување на рерната треба да се изврши доовластен сервис.
52. Не ставајте метален прибор како нож, вилушка, лажица на површината на апаратот, бидејќи ќе се загреат.
53. За да се спречи прегревање, апаратот не треба да се поставува зад украсен капак.
54. Исклучете го апаратот пред да ги отстраните заштитните механизми. По чистењето, инсталирајте ги заштитните механизми според упатствата.
55. Точката за прицврстување на кабелот треба да биде заштитена.
56. **ПРЕДУПРЕДУВАЊЕ: Не користете горилници за рерна и скара истовремено.**
57. Ве молиме, не гответе ја храната директно на плехот/решетката. Ве молиме ставете ја храната во или на соодветни алатки пред да ја ставите во рерната.
58. Топла површина, оставете да се излади пред да ја затворитепокритие.
59. **ВНИМАНИЕ: Доколку е скршено стаклото од шпоретот, веднаш исклучете го грејниот елемент и исклучете го апаратот од изворот на струја, не допирајте ја површината на апаратот и не користете го апаратот.**

## Електрична безбедност

1. Приклучокапаратот во заземјен штекер заштитен со осигурувач кој одговара на вредностите наведени во табелата со технички спецификации.
2. Обезбедете овластен електричар да постави заземјувањеопрема. Нашата компанија нема да одговара за штетите што ќе настанат поради користење на производот без заземјување според локалните прописи.
3. Прекинувачите на струјното коло на рерната треба да бидат поставени така што крајниот корисник може да ги допре кога е инсталирана рерна.
4. Кабелот за напојување (кабелот со приклучок) не треба да контактира со топлине делови на апаратот.
5. Ако кабелот за напојување (кабелот со приклучок) е оштетен, овој кабел треба да се замениод страна на производителот или неговиот сервисер или поеднакво квалификуван персонал за да се спречи опасна ситуација.
6. Никогаш не го мијте производот со прскање или истурање вода врз него! Постои ризик од струен удар.

7. ПРЕДУПРЕДУВАЊЕ: За да избегнете електричен удар, проверете дали колото на уредот е отворено пред да ја смените светилката.
8. ПРЕДУПРЕДУВАЊЕ: Пресечете ги сите приклучоци на колото за напојување пред да пристапите до терминалите.
9. ПРЕДУПРЕДУВАЊЕ: Ако површината е напукната, исклучете го апаратот за да избегнете ризик од електричен удар.
10. Не користете исечени или оштетени кабли или продолжетоцижици различни од оригиналниот кабел.
11. Уверете се дека нема течност или влажност во штекерот каде што е инсталиран приклучокот на производот.
12. Задната површина на рерната исто така се загрева кога се работи со рерната. Електричните приклучоци не треба да ја допираат задната површина, инаку приклучоците може да се оштетат.
13. Не затегнувајте ги поврзувачките каблидо вратата на рерната и не поминувајте ги преку жешки површини. Ако кабелот се стопи, тоа може да предизвика краток спој на рерната, па дури и пожар.
14. Исклучете го уредот од струја за време на инсталација, одржување, чистење и поправка.
15. Ако кабелот за напојување е оштетен, морада биде заменет од неговиот производител или овластен техничка служба или кој било друг персонал квалификуван на исто ниво, со цел да се избегне каква било опасна ситуација.
16. Проверете дали приклучокот е цврсто вметнат во ѕидниот штекер за да избегнете искри.
17. Не користете средства за чистење на пареа за чистење наапаратот, во спротивно може да дојде до струен удар.
18. Омниполарен прекинувач способен заисклучете го напојувањето потребно е за инсталација. Исклучувањето од напојувањето треба да се обезбеди со прекинувач или интегриран осигурувач инсталиран на фиксно напојување според градежен код.
19. Фиксните врски треба да се поврзатна напојување што овозможува омниполарно исклучување. За уреди со категорија на наднапон под III, уредот за исклучување треба да се приклучи на фиксно напојување според кодот за жици.

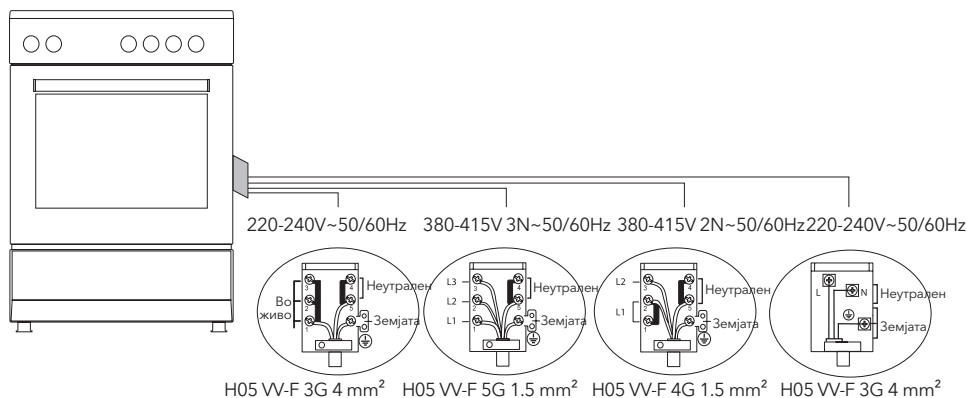
## Наменска употреба

1. Овој производ е дизајниран за домашна употреба. Не е дозволена комерцијална употреба.
2. Овој уред може да се користи само за готвењецели. Не смее да се користиза други цели како загревање соба.
3. Овој уред не смее да се користи за загревање на плочи под скара, сушење алишта или крпицакчете ги на рачката или за загревање.
4. Производителот не превзема никаква одговорност за каква било штета поради злоупотреба или лошо ракување.
5. Дел од рерната од уредот може да се користи за одмрзнување, печење, пржење и печење храна.

## Електрична врска

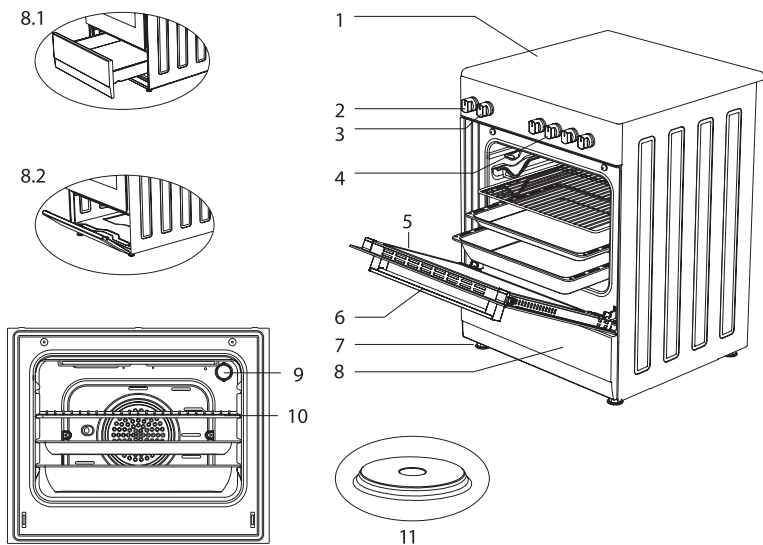
1. Вашата рерна бара осигурувач од 40 ампера за монофазен или 3x16 ампера за 3фазно напојување споределектрична енергија за делот за шпорет има 4 керамички грејачи и делот за рерна има електрични модели. Инсталирањето од квалификуван електричар е задолжително.
2. Вашата рерна е прилагодена во согласност со 220-240V / 380-415V AC, 50/60Hz. напојување со електрична енергија. Ако електричната мрежа се разликува од оваа наведена вредност, контактирајте со вашиот овластен сервис.
3. Електричното поврзување на рерната треба да се врши само на приклучоците/приклучоците сосистем за заземјување инсталиран во согласност со локалните прописи. Ако нема приклучоци/приклучоци со систем за заземјување на местото каде што ќе се инсталира печката, веднаш контактирајте со квалификуван електричар да инсталира. Производителот не е одговорен за штетите што ќе настанат поради тоа што апаратот не е поврзан на заземјувањесистем.
4. Ако вашиот доведен кабелсе оштети, треба да се замени од овластен сервисер или квалификуван електричар за да се избегне опасност или струен удар.
5. Електричниот кабел не треба да ги допира жешките делови на апаратот.
6. Работете ја рерната во сува атмосфера.
7. Кога ја поставувате рерната на нејзината локација, проверетедека е на шалтерско ниво. Доведете го до нивото на бројачот со прилагодување на стапалата доколку е потребно.

## Шема за електрично поврзување



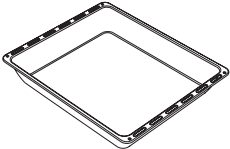
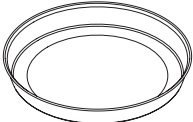
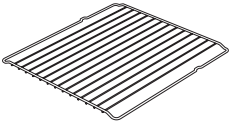

## ВОВЕД НА АПАРАТОТ

Модели: CS5400SW, CS6400SW, CS5400SX, CS6400SX



1. Стаклена горна плоча
2. Копче за термостат
3. Командно копче за рерната
4. Регулатори за витрокерамички рингли
5. Врата на рерната
6. Рачка
7. Пластична нога
8. Долна врата на кабинетот
- 8.1. Фиока
- 8.2. Преклопна врата
9. Светилка
10. Скара
11. Топла плоча (145 mm или 185 mm)

## Додатоци

	<p><b>Длабок послужавник*</b></p> <p>Се користи за пециво, големи печења, водена храна. Може да се користи и како сад за собирање масло ако се пече директно на скара со колач, замрзната храна и месојадења.</p>
	<p><b>Послужавник / стаклен послужавник*</b></p> <p>Се користи за пециво (колачиња, бисквити итн.), замрзната храна.</p>
	<p><b>Кружен послужавник*</b></p> <p>Се користи за пециво замрзната храна.</p>
	<p><b>Жица скара</b></p> <p>Се користи за печење или ставање храна за печење, печени и замрзнати во саканата решетка.</p>
	<p><b>Телескопска шина*</b></p> <p>Послужавниците и жичаните лавици може лесно да се отстранат и инсталираат благодарение на телескопскиот шина.</p>
	<p><b>Во фиока жичена скара*</b></p> <p>Храната што треба да се лепи додека готвите, како што е стек, се ставаат во скара. Такасе спречува контакт на храната со послужавник и лепење.</p>
	<p><b>Рачка за фиока*</b></p> <p>Се користи за држење на топли послужавници.</p>
	<p><b>Единица за поддршка на тенџере за кафе *</b></p> <p>Може да се користи за кафуле.</p>

## Технички карактеристики на вашата рерна

Спецификации	50x55	50x60	60x60
Надворешна ширина	500 mm	500 mm	600 mm
Надворешна длабочина	565 mm	630 mm	630 mm
Надворешна висина	855 mm	855 mm	855 mm
Моќ на светилка	15-25 W		
Долен грејач	1000 W	1000 W	1200 W
Горен елемент за греење	800 W	800 W	1000 W
Турбо грејач	-----	1800 W	2200 W
Грејач на скара	1500 W	1500 W	2000 W
Напон на напојување	220-240V AC/380-415V AC 50/60 Hz		
Грејна плоча 145 mm *	1000 W		
Грејна плоча 180 mm *	1500 W		
Брза рингла 145 mm *	1500 W		
Брза рингла 180 mm *	2000 W		



### ПРЕДУПРЕДУВАЊЕ

- **ПРЕДУПРЕДУВАЊЕ:** За промената да ја направи овластенуслуга, оваа табела треба да се земе предвид. Производителот не може да се смета за одговорен за какви било проблеми што се појавуваат поради каква било погрешна модификација.
- **ПРЕДУПРЕДУВАЊЕ:** За да се зголеми квалитетот на производот, техничките спецификации може да се променат без претходноизвестување.
- **ПРЕДУПРЕДУВАЊЕ:** Вредностите дадени со апаратот или неговите придружни документи се лабораториски отчитувања во согласност со соодветните стандарди. Овие вредности може да се разликуваат во зависност од употребата и околината Услови.



# ПОСТАВУВАЊЕ НА ВАШАТА ПЕРНА

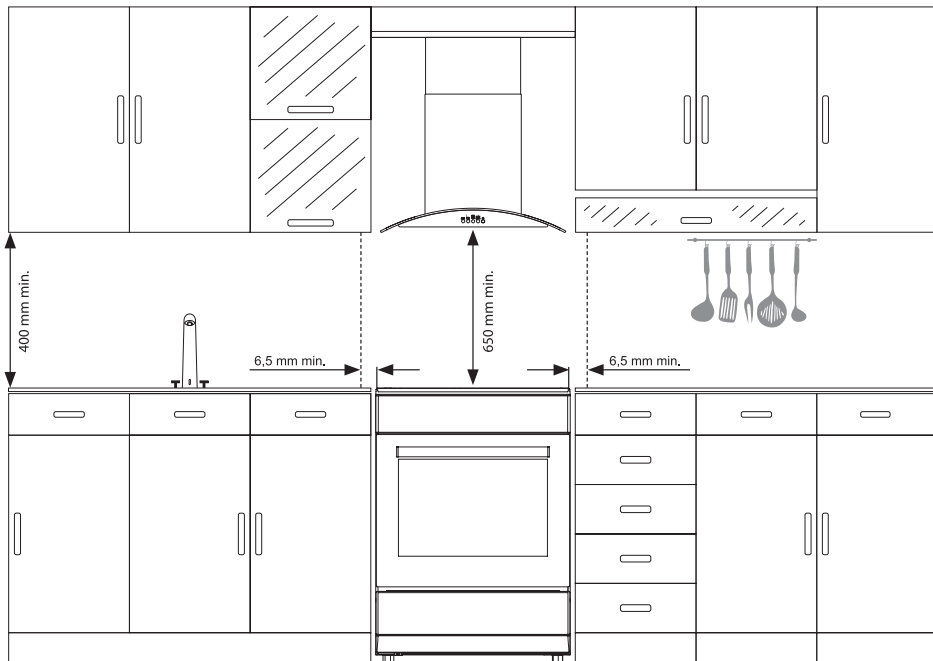
Проверете дали електричната инсталација е соодветна за да го доведе апаратот во работна состојба. Ако инсталацијата на електрична енергија не е соодветна, повикајте електричар и водоводчија за да ги организираат комуналните услуги по потреба. Производителот нема да биде одговорен за штетите предизвикани од операции извршени од неовластени лица.

## ПРЕДУПРЕДУВАЊЕ

- **ПРЕДУПРЕДУВАЊЕ:** Одговорност на купувачот е да ја подготви локацијата на која ќе се стави производот исто така да се подготви електричната инсталација.
- **ПРЕДУПРЕДУВАЊЕ:** Правилата во локалните стандарди за електрични инсталации треба да се почитуваат за време на производотинсталација.
- **ПРЕДУПРЕДУВАЊЕ:** Проверете дали има оштетувања на апаратот пред да го инсталирате. Немајте го производотинсталиран ако е оштетен. Оштетените производи предизвикуваат ризик за вашата безбедност.

## Вистинско место за инсталација и важни предупредувања

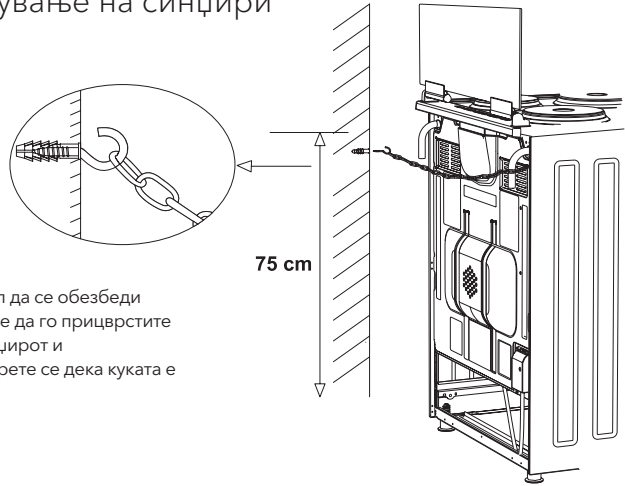
- Нозете на апаратот не треба да се задржуваат на меки површини како теписи. Подот во кујната треба да биде издржлив за носење единица тежина и кој било друг прибор што може да се користи во рерната.
- Апаратот треба да се користи со растојание од минимум 400 mm над горните површини на ринглата и 65 mm од страничните површини во кујнскиот мебел.
- Апаратот е погоден за употреба на двата странични ѕидови, без никаква потпора или без да се вградува во ормар. Ако над шпоретот ќе се инсталира аспиратор или аспиратор, следете ги упатствата на производителот за висина на монтажа. (мин. 650 mm)



## ПРЕДУПРЕДУВАЊЕ

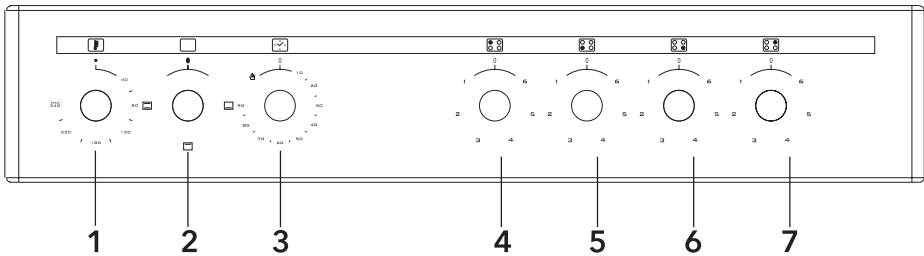
- **ПРЕДУПРЕДУВАЊЕ:** Кујнскиот мебел во близина на апаратот мора да биде отпорен на топлина.
- **ПРЕДУПРЕДУВАЊЕ:** Не монтирајте го апаратот покрај фрижидери или ладилници. Зрачеше топлина од страна на апаратот ја зголемува потрошувачката на енергија на уредите за ладење.
- **ПРЕДУПРЕДУВАЊЕ:** Не користете ја вратата и/или рачката за носење или преместување на апаратот.

## Илустрација за врзување на синџири



Пред употреба на апаратот, со цел да се обезбеди безбедно користење, погрижете се да го прицврстите апаратот на ѕид користејќи го синџирот и испорачана закачена завртка. Уверете се дека куката е заштрафена ѕидот безбедно.

## КОНТРОЛЕН ПАНЕЛ

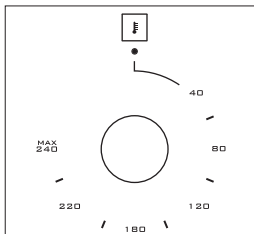


1. Термостат
2. Копче за избор на функција
3. Механички тајмер \*
4. Заден лев електричен грејач
5. Преден лев електричен грејач
6. Преден десен електричен грејач
7. Заден десен електричен грејач

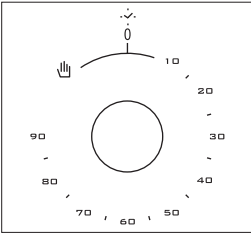


### ПРЕДУПРЕДУВАЊЕ

Контролната табла погоре е само за илустрација. Размислете за вклучена контролната табла вашиот уред.



**Термостат:** Се користи за одредување на температурата на готвење на садот да се готви во рерна. Откако ќе ја ставите храната внатре ворерната, свртете го прекинувачот за да ја прилагодите саканата температура помеѓу 40-240 °C. За температури за готвење на различна храна, видете ја табелата за готвење.



**Механички тајмер\***: Се користи за одредување на периодот за готвење во печката. Кога ќе истече приспособеното време, напојувањето на грејачите се исклучува и се емитува звучен предупредувачки сигнал. Механички тајмер може да се прилагоди на саканиот период помеѓу 0-90 минути. За периодите на готвење, видете ги табелите за готвење.

## КОРИСТЕЊЕ НА ДЕЛ ПЕРНА

### Користење на елементи за греење на рерната

1. Кога вашата рерна ќе се вклучи за прв пат, ќе се шири мирис кој ќе се појави од користењето на грејни елементи. За да се ослободите од ова, работете на 240 °C 45-60 минути додека е празен.
2. Контролното копче на рерната треба да биде поставено до саканата вредност; инаку рерната не работи.
3. Видовите оброци, времето на готвење и позициите на термостатот се дадени во табелата за готвење. Вредностите дадени во табелата за готвење се карактеристични вредности и се добиени како резултат на испитувањата извршени во нашата лабораторија. Можете да најдете различни вкусови погодни за вашиот вкус во зависност од вашите навики за готвење и користење.
4. Со помош на додатоците можете да направите пилешко кое се врти во рерната.
5. Време на готвење: Резултатите може да се променат во зависност од напонот на површината и материјалот со различен квалитет, количина и температура.
6. За време на готвењето во рерната, капакот на рерната не треба да се отвора често. Во спротивно, циркулацијата на топлината може да биде неурамнотежена и резултатите може да се променат.

### Користење на скарата

1. Кога ја ставате скарата на горната решетка, храната на скарата нема да ја допира скарата.
2. Можете да загреете 5 минути додека печете на скара. Доколку е потребно, можете да ја превртите храната наопаку.
3. Храната треба да биде во центарот на скарата за да обезбеди максимален проток на воздух низ рерната.

#### За да ја вклучите скарата;

1. Ставете го функциското копче над симболот за скара.
2. Потоа, поставете го на саканата температура на скарата.

#### За да ја исклучите скарата;

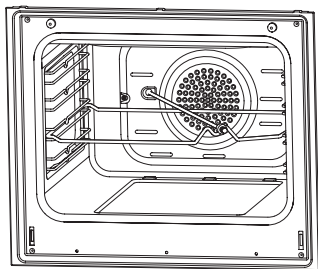
Поставете го функциското копче на позиција исклучено.



#### ПРЕДУПРЕДУВАЊЕ

Чувајте ја вратата на рерната затворена додека печете на скара. (електрична скара)

## Користење на печење пилешко \*



Пронајдете тавче што капе низ дното за дасоберете го постот. Додадете малку вода во тавата што капе за лесно чистење. Не заборавајте да го извадите пластичниот дел од рерната. По печењето на скара, зашрафете ја пластичната рачка на раженот и извадете ја храната од рерната.

## Користење на рингли

	Ниво 1	Ниво 2	Ниво 3	Ниво 4	Ниво 5	Ниво 6
80 mm	200 W	250 W	450 W	---	---	---
145 mm	250 W	750 W	1000 W	---	---	---
180 mm	500 W	750 W	1500 W	---	---	---
145 mm брзо	500 W	1000 W	1500 W	---	---	---
180 mm брзо	850 W	1150 W	2000 W	---	---	---
145 mm	95 W	155 W	250 W	400 W	750 W	1000 W
180 mm	115 W	175 W	250 W	600 W	850 W	1500 W
145 mm брзо	135 W	165 W	250 W	500 W	750 W	1500 W
180 mm брзо	175 W	220 W	300 W	850 W	1150 W	2000 W
220 mm	220 W	350 W	560 W	910 W	1460 W	2000 W

1. Електричните рингли имаат стандардни 6 нивоа на температура. (како што е опишано овде погоре)
2. Кога користите прв пат, работете со електричната плоча за готвење во позиција 6 5 минути. Ова ќе го натера агентот да продолживашата рингла која е чувствителна на топлина се стврдува со горење.
3. Користете тенџериња со рамно дно кои целосно допираат со топлината колку што можете повеќе, за да можете да ја користите енергија попродуктивно.



### ПРЕДУПРЕДУВАЊЕ

Со интензивна употреба на апаратот, прстените на ринглата и околината може да се променатбоја. Сервисните интервенции во тој случај не се опфатени со гаранција.



Точно



Неточно



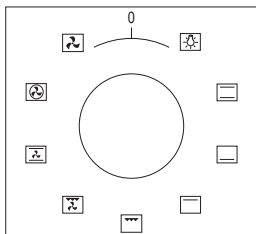
Неточно



Неточно

# ВИДОВИ ПРОГРАМИ

Модел: CS5400SW, CS6400SW, CS5400SX, CS6400SX



**Функциско копче:** Се користи за одредување на грејните тела што ќе се користат за готвење садот да се готви во рерна. Типови на програми за грејач во ова копче и нивните функции се опишани подолу. Сите типови грејачи и типови програми кои се состојат од овие грејачи можеби не се достапни во сите модели.

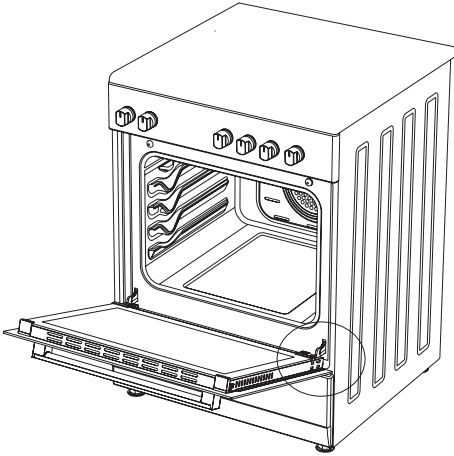
	Вртење		Вентилатор
	Горе + Долен грејач		Турбо греење + вентилатор
	Светилка		Долу + Горни грејни елементи + Вентилатор
	Долен грејач+ Вентилатор		Грејач на скара + Вентилатор
	Грејач на скара		Рејач на скара / Грејач на скара
	Грејач на скара+Светилка		Горен елемент за греење
	Електричен тајмер		Пламеник на рерната / Долен грејач



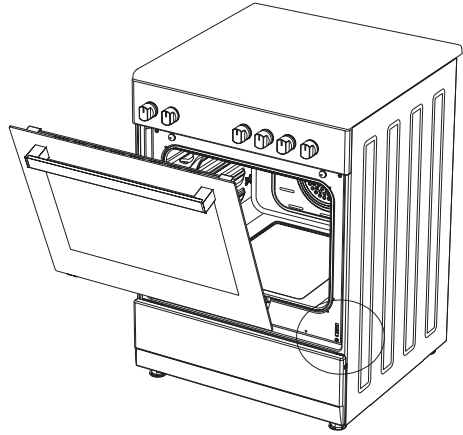
## ПРЕДУПРЕДУВАЊЕ

Сите типови грејачи и типови програми што се состојат од овие грејачи може воопшто да не се достапни модели.

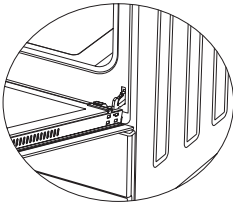
# ПОСТАВУВАЊЕ НА ВРАТАТА НА РЕРНАТА



Слика 1

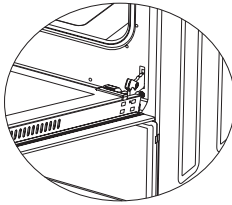


Слика 2



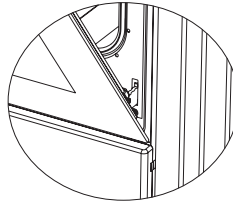
Слика 1.1

Целосноотворете ја вратата на рерната повлекувајќи ја кон себе. Потоа, извршете го процесот на отклучување со повлекување на бравата на шарката нагоре со помош на шрафцигер како што е прикажано на слика 1.1.



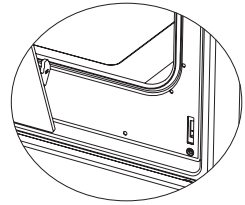
Слика 1.2

Донесибравата на шарката до најширок агол како што е прикажано на слика 1.2. Доведете ги двете шарки што ја поврзуваат вратата на рерната со рерната во иста положба.



Слика 2.1

Потоа затворете говратата на рерната да се потпре на бравата на шарката како што е прикажано на слика 2.1.



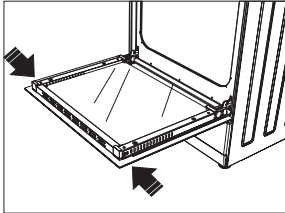
Слика 2.2

За да ја извадите рерनावратата, повлечете ја нагоре држејќи ја со двете раце кога е блиску до затворената положба како што е прикажано на слика 2.2.

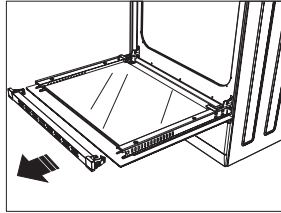
За да ја вратите вратата од рерната, извршете ги горенаведените чекори обратно.

## Чистење и одржување на стаклото на влезната врата на рерната

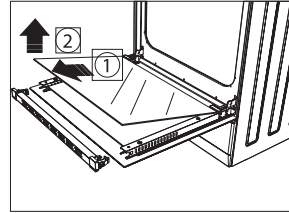
Отстранете го профилот со притискање на пластичните брави од левата и десната страна како што е прикажано на слика 3 и повлечете профилот кон себе како што е прикажано на слика 4. Потоа отстранете го внатрешното стакло како што е прикажано на слика 5. Доколку е потребно, средното стакло може да се отстрани на ист начин. По завршувањето на чистењето и одржувањето, монтирајте повторно оочилата и профилот во обратен редослед. Проверете дали профилот е правилно поставен на своето место.



Слика 3



Слика 4



Слика 5

### Каталитички сидови\*

Каталитичките сидови се наоѓаат на левата и десната страна на шуплината под водилките. Каталитичките сидови го отстрануваат лошиот мирис и добиваат најдобри перформанси одшпорет. Каталитичките сидови ги апсорбираат и остатоците од маслото и ја чистат вашата рерна додека работи.

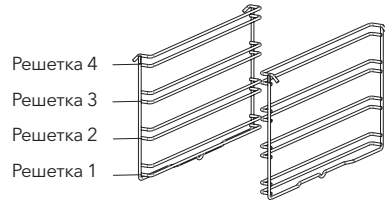
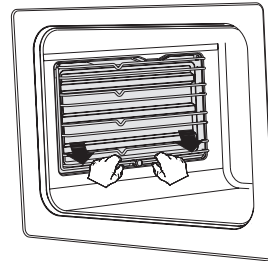
### Отстранување на каталитичките сидови

Со цел да се отстранат каталитичките сидови; водилките мора да се извлечат надвор. Штом ќе се извлечат водилките, каталитичките сидови автоматски ќе се ослободат. Каталитичките сидови мора да се сменат по 2-3 години.

### Позиции на решетката

Важно е правилно да ја ставите жичената скара во рерната. Не дозволувајте жичаната решетка да го допира задниот сид на рерната. Положбите на решетката се прикажани на следната слика. Може да поставите длабока фиока или стандардна фиока во долните и горните жичени решетки.

Слика 6



Решетка 4

Решетка 3

Решетка 2

Решетка 1

### Инсталирање и отстранување на жичани лавици

За да ги отстраните жичаните лавици, притиснете ги штипките прикажани со стрелките на сликата, прво отстранете ја долната, а потоа горната страна од местото на инсталација. За да инсталирате жичани лавици; обратете ја постапката за отстранување на багажникот.

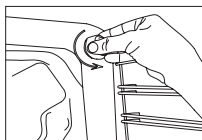
### Менување на светилката во рерната



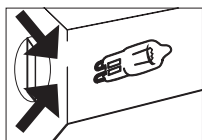
#### ПРЕДУПРЕДУВАЊЕ

За да избегнете електричен удар, проверете дали колото на апаратот е отворено пред да ја смените светилката. (Ако колото е отворено значи дека напојувањето е исклучено) Прво исклучете го апаратот од струја и проверете дали апаратот е ладен.

Отстранете ја заштитата од стакло со вртење како што е прикажано на сликата на левата страна. Ако имате потешкотии да се свртите, тогаш употребата на пластични ракавици ќе ви помогне во вртењето. Потоа извадете ја светилката со вртење, инсталирајте ја новата светилка со истатаспецификации. Повторно инсталирајте заштита од стакло, приклучете го кабелот за напојување на апаратот во електричен приклучок и комплетно заменете го. Сега можете да ја користите вашата рерна.

**Тип G9Тип на светилка**

220-240 V, AC 15-25 W



Слика 7

**Светилка E14**

220-240 V, AC 15 W



Слика 8

**Користење на листот за дефлектор на скара \***

1. Безбедносната табла е дизајнирана да ја заштити контролната табла и копчињата кога рерната е во режим на скара. (слика 9)
2. Ве молиме користете ја оваа безбедносна табла за да избегнете топлина да ги оштети контролната табла и копчињата при рернатае режим на скара.

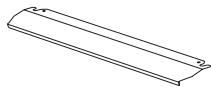
**⚠ ПРЕДУПРЕДУВАЊЕ**

Достапните делови може да бидат жешки кога се користи скарата. Малите деца треба да се држат настрана.

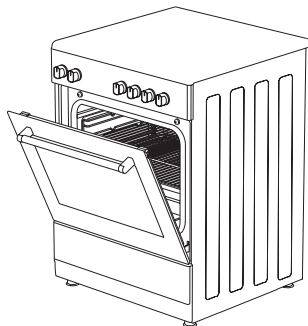
3. Ставете ја безбедносната табла под контролната табла со отворање на стаклото од предниот капак на рерната. (слика 10)
4. И потоа прицврстете ја безбедносната плоча помеѓу рерната и предниот капак со нежно затворање на капакот. (слика 11)
5. Важно е за готвење да го држите капакот отворен на одредено растојание кога готвите во режим на скара.
6. Безбедносната табла ќе обезбеди идеални услови за готвење додека ги заштитува контролната табла и копчињата.

**⚠ ПРЕДУПРЕДУВАЊЕ**

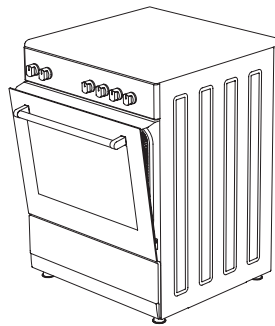
Ако шпоретот има опција „функционира затворена скара“ со термостат, можете да ја држите вратата на рерната затворена за време на операција; во овој случај листот за дефлектор на скара ќе биде непотребен.



Слика 9



Слика 10



Слика 11



# РЕШАВАЊЕ НА ПРОБЛЕМИ

Може да ги решите проблемите со кои може да најдете со вашиот производ со проверка на следните точки пред да се јавитетехничката служба.

## Проверете ги точките

Во случај да имате проблем со рерната, прво проверете ја табелата подолу и испробајте ги предлозите.

Проблем	Можна причина	Што да се прави
Рерната не работи.	Напојувањето не е достапно.	Проверете дали има напојување.
Рерната запира за време на готвењето.	Приклучокот излегува од сидотштекер.	Повторно инсталирајте го приклучокот воштекер.
Се исклучува за време на готвењето.	Премногу долго континуирано работење.	Оставете ја рерната да се излади по долги циклуси на готвење.
	Повеќе од еден приклучок во сиден штекер.	Користете само еденприклучок за секој сиден штекер.
Вратата на рерната не се отвора правилно.	Остатоците од храна се заглавени помеѓувратата и внатрешната празнина.	Добро исчистете ја рерната и обидете се повторно да ја отворитевратата.
Електричен удар при допирање напечка.	Нема соодветно заземјување.	Проверете дали напојувањето е правилно заземјено.
	Незаземјен сидсе користи штекер.	
Вода капе.	Вода или пареа може да генерира под одредени услови во зависност од храната што се готви. Ова не е вина наапаратот.	Оставете ја рернатаизладете и потоа избришете го со крпа за садови.
Пареа излегува одпукнатина на вратата на рерната.		
Преостаната вода во рерната.		
Излегува чад за време наоперација.	Кога ракувате со рернатаза прв пат	Од греалките излегува чад. Ова не е грешка. По 2-3 циклуси, нема да има повеќе чад.
	Храна на греалка.	Некарерната да се излади и да се исчистат остатоците од храна од греалката.
Когаракување со рерната изгорена или пластика излегува мирис.	Во рерната се користат пластични или други додатоци кои не се отпорни на топлина.	При високи температури, користете соодветни додатоци за стаклени садови.
Печката не загрева.	Вратата на рерната е отворена.	Затворете ја вратата и рестартирајте.
	Контролите на рерната не се правилноприлагодени.	Прочитајте го делот во врска соработа на рерната и ресетирање на рерната.
	Осигурувачот е исклучен или прекинувачот е исклучен.	Заменете го осигурувачот или ресетирајте го прекинувачот. Ако ова се повторува често, повикајте електричар.
Рерната не се готви добро.	Вратата на рерната често се отвора за време на готвењето.	Немојчесто отворајте ја вратата на рерната, ако храната што ја готвите не бара вртење. Ако често ја отворате вратата, внатрешната температура паѓа и затоа ќе влијае на резултатот од готвењето.

Проблем	Можна причина	Што да се прави
Внатрешното светло е слабо или неработат.	Странски предмет што ја покрива светилката за време на готвењето.	Исчистете ја внатрешната површина на рерната и проверете повторно.
	Светилката може да не успее.	Заменете со светилка со истатаспецификации.

## ПРАВИЛА ЗА РАКУВАЊЕ

1. Не користете ја вратата и/или рачката за носење или преместувањеапаратот.
2. Движењето и транспортот извршете ги во оригиналното пакување.
3. Обрнете максимално внимание на апаратот при полнење/растовар и ракување.
4. Проверете дали пакувањето е безбедно затворено за време на ракувањето и транспортот.
5. Заштитете го од надворешни фактори (како влажност, вода итн.) кои можат да го оштетат пакувањето.
6. Внимавајте да не го оштетите апаратот поради нерамнини, удари, падови итн. додека ракувате и транспортиратеа не да се скрши или деформира при работа.

## ПРЕПОРАКИ ЗА ЗАШТЕДА НА ЕНЕРГИЈАТА

Следниве детали ќе ви помогнат да го користите вашиот производ еколошки и економски.

1. Користете темни обоени и емајлирани садови кои подобро ја спроведуваат топлината во рерната.
2. Додека ја готвите храната, ако рецептот или упатството за употреба покажуваат дека е потребно претходно загревање, претходно загрејте гопечка.
3. Не ја отворајте рернатавратата често додека готвите.
4. Обидете се да не готвите повеќе јадења истовремено во рерната. Можете да готвите во исто време со ставање двашпорети на решетката.
5. Гответе повеќе јадења последователно. Рерната нема да ја изгуби топлината.
6. Исклучете ја рерната неколку минути пред истекот на времето на готвење. Во овој случај, не ја отворајте вратата на рерната.
7. Одмрзнете ја замрзнатата храна пред да готвите.

## ОТСТРАНУВАЊЕ СО ЕКОЛОШНОСТ



Фрлете го пакувањето на еколошки начин.

Овој уред е означен во согласност со Европската директива 2012/19/EU закористени електрични и електронски апарати (отпадна електрична и електронска опрема - OEEO). Упатството ја одредува рамката за враќање и рециклирање на искористените апарати како што е применливо во ЕУ.

## ИНФОРМАЦИИ ЗА ПАКЕТ

Материјалите за пакување на производот се произведени од материјали што може да се рециклираат во согласност со нашите национални регулативи за животна средина. Не фрлајте ги материјалите за пакување заедно со домашните или другиотпадоци. Однесете ги до местата за собирање материјали за пакување определени од локалните власти.

Dragă utilizatorule,  
Vă sugerăm să citiți cu atenție manualul de utilizare înainte de a utiliza produsul și să îl păstrați permanent la dispoziția dumneavoastră.

### NOTĂ

Acest manual de utilizare este valabil pentru mai multe modele. Este posibil ca unele dintre caracteristicile specificate în manual să nu fie disponibile în aparatul dvs.  
Toate aparatele noastre sunt doar pentru uz casnic, nu pentru uz comercial. Produsele marcate cu (\*) sunt opționale.

### Conform cu WEEE.

## AVERTISMENTE IMPORTANTE

1. Instalarea și reparația trebuie efectuate întotdeauna de „**SERVICIUL AUTORIZAT**”. Producătorul nu va fi responsabil pentru operațiunile efectuate de persoane neautorizate.
2. Vă rugăm să citiți cu atenție aceste instrucțiuni de utilizare. Numai astfel puteți utiliza aparatul în siguranță și în mod corect.
3. Cuptorul trebuie utilizat conform instrucțiunilor de utilizare.
4. Țineți copiii sub vârsta de 8 ani și animalele de companie la distanță atunci când utilizați cuptorul.
5. **AVERTISMENT: Părțile accesibile pot fi fierbinți în timp ce utilizați grătarul. Țineți copiii la distanță.**
6. **AVERTISMENT: Pericol de incendiu; nu depozitați materialele pe suprafața de gătit.**
7. **AVERTISMENT: Aparatul și componentele sale accesibile sunt fierbinți în timpul funcționării.**
8. Condițiile de setare ale acestui dispozitiv sunt specificate pe etichetă. (Sau pe plăcuța cu date tehnice)
9. Atunci când este utilizat grătarul, părțile ale acestuia pot fi fierbinți. Copiii mici trebuie ținuti departe.
10. **AVERTISMENT: Acest aparat este destinat gătitului. Acesta nu trebuie utilizat în alte scopuri, cum ar fi încălzirea unei camere.**
11. Pentru a curăța aparatul, nu utilizați produse de curățat cu abur.
12. Asigurați-vă că ușa cuptorului este complet închisă după introducerea alimentelor în cuptor.
13. NICIODATĂ nu încercați să stingeți focul cu apă. Opriti alimentarea aparatului și apoi acoperiți flacăra cu un capac sau cu o pătură.
14. Copiii sub 8 ani trebuie ținuti departe de aparat, dacă nu pot fi monitorizați continuu.
15. Atingerea elementelor de încălzire trebuie evitată.
16. **ATENȚIE: Procesul de gătire trebuie întotdeauna supravegheat.**
17. Acest aparat poate fi utilizat de copii cu vârsta peste 8 ani, de persoane cu probleme fizice, auditive sau mentale sau de persoane cu lipsă de experiență sau cunoștințe; atâta timp cât este asigurat controlul sau sunt furnizate informații cu privire la pericole.
18. Acest dispozitiv a fost proiectat numai pentru uz casnic.
19. Copiii nu trebuie să se joace cu aparatul. Curățarea sau întreținerea aparatului nu trebuie efectuată de copii decât dacă au o vârstă mai mare de 8 ani și sunt supravegheați de adulți.
20. Păstrați aparatul și cablul de alimentare la distanță de copii cu vârsta sub 8 ani.
21. Asigurați-vă că nu aveți materiale inflamabile pe sau în aparat înainte de a începe să-l utilizați.
22. Păstrați canalele de ventilație deschise.
23. Aparatul nu este potrivit pentru utilizarea cu un temporizator extern sau cu un sistem de telecomandă separat.
24. Nu încălziți cutii închise sau borcane de sticlă. Presiunea poate duce la explozia acestora.
25. Mănerul cuptorului nu este un uscător de prosoape. Nu agățați prosoapele etc. de mânerul cuptorului.
26. Nu așezați tăvile, farfuriile sau foliile de aluminiu direct pe baza cuptorului. Căldura acumulată poate deteriora baza cuptorului.
27. În timp ce așezați alimentele sau scoateți alimentele din cuptor, etc., folosiți întotdeauna mănuși rezistente la căldură.
28. Nu utilizați produsul atunci când sunteți sub influența medicamentelor și / sau sub influența alcoolului, deoarece vă pot afecta capacitatea de a judeca.
29. Aveți grijă când utilizați alcool în alimente. Alcoolul se va evapora la temperaturi ridicate și poate lua foc și provoca incendiu dacă intră în contact cu suprafețe fierbinți.
30. După fiecare utilizare, verificați dacă unitatea este oprită.
31. Dacă aparatul este defect sau prezintă o deteriorare vizibilă, nu utilizați aparatul.

32. Nu atingeți ștecherul cu mâinile ude. Nu trageți cablul pentru a deconecta, ci țineți întotdeauna ștecherul.
33. Nu utilizați aparatul dacă acesta are geamul ușii din față spart.
34. Așezați hârtia de copt împreună cu alimentele în cuptorul preîncălzit punând-o pe un accesoriu pentru cuptor (tavă, grătar de sârmă etc.).
35. Nu puneți obiecte, la care ar putea ajunge copiii, pe aparat.
36. Este important să așezați corect grătarul și tava pe raft. Așezați grătarul sau tava între cele două șine și asigurați-vă că este echilibrat înainte de a pune mâncare pe el.
37. Pentru a evita riscul de atingere a elementelor de încălzire a cuptorului, îndepărtați părțile în exces de hârtie de copt care ies în afara recipientului.
38. Nu utilizați niciodată cuptorul la temperaturi mai mari decât temperatura maximă de utilizare indicată pe hârtia de copt. Nu așezați hârtia de copt pe baza cuptorului.
39. Când ușa este deschisă, nu așezați niciun obiect greu pe ușă și nu permiteți copiilor să stea pe ea. Puteți provoca răsturnarea cuptorului sau deteriorarea ușii balamalelor.
40. Materialele de ambalare sunt periculoase pentru copii. Nu lăsați materialele de ambalare la îndemâna copiilor.
41. Nu utilizați produse de curățat abrazive sau răzuitoare metalice ascuțite pentru a curăța geamul, deoarece zgârieturile care pot apărea pe suprafața geamului ușii pot cauza fisurarea geamului.
42. Nu așezați aparatul pe o suprafață acoperită cu covoraș. Părțile electrice se supraîncălzesc, deoarece nu există ventilație sub. Acest lucru va cauza defectarea aparatului.
43. Nu loviți suprafețele de sticlă ale aragazelor vitroceramice cu un metal dur deoarece, rezistența se poate deteriora. Poate provoca un șoc electric.
44. Utilizatorul nu trebuie să manipuleze singur cuptorul.
45. Alimentele se pot vărsa atunci când piciorul cuptorului este demontat sau se rupe, aveți grijă. Poate provoca vătămări corporale.
46. În timpul utilizării, suprafețele interne și externe ale cuptorului se încălzesc. Când deschideți ușa cuptorului, faceți un pas înapoi pentru a evita vaporii fierbinți care ies din interior. Există riscul de arsură.
47. Capacul cuptorului se închide pentru a evita a;unecarea vaselor de gătit. Faceți un pas înapoi pentru a evita mâncarea fierbinte care vine asupra dvs. Există riscul de arsură.
48. Nu așezați obiecte grele pe ușa cuptorului când aceasta este deschisă. Există riscul răsturnării.
49. Utilizatorul nu trebuie să disloceze rezistența în timpul curățării. Poate provoca un șoc electric.
50. Nu scoateți întrerupătoarele de contact din aparat. În caz contrar, se pot accesa cabluri electrice sub tensiune. Poate provoca un șoc electric.
51. Alimentarea cuptorului poate fi deconectată în timpul oricărei lucrări de construcție la domiciliu. După finalizarea lucrărilor, reconectarea cuptorului se va face de către un service autorizat.
52. Nu puneți ustensile metalice precum cuțitul, furculița, lingura pe suprafața aparatului, deoarece acestea se vor încălzi.
53. Pentru a preveni supraîncălzirea, aparatul nu trebuie instalat într-un spațiu decorativ acoperit.
54. Oprțiți aparatul înainte de a îndepărta siguranțele. După curățare, instalați siguranțele conform instrucțiunilor.
55. Punctul de fixare al cablului trebuie protejat.
56. **AVERTISMENT: Nu utilizați arzătoarele pentru cuptor și grătar în același timp.**
57. Vă rugăm să nu gătiți mâncarea direct pe tavă / grătar. Vă rugăm să puneți alimentele în /sau pe instrumentele corespunzătoare înainte de a le introduce în cuptor.
58. Lăsați suprafața fierbinte să se răcească înainte de a închide capacul.
59. **ATENȚIE: Dacă sticla aragazului este spartă, oprțiți imediat orice element de încălzire și deconectați aparatul de la sursa de alimentare, nu atingeți**

## Siguranța electrică

1. Conectați aparatul la o priză cu împământare protejată de o siguranță conformă cu valorile specifice în tabelul de specificații tehnice.
2. Apelați la un electrician autorizat care să seteze echipamente de împământare. Compania noastră nu va fi responsabilă pentru daunele care vor apărea ca urmare a utilizării produsului fără împământare conform reglementărilor locale.
3. Întrerupătoarele automate ale cuptorului trebuie plasate astfel încât utilizatorul final să le poată atinge atunci când cuptorul este instalat.
4. Cablul de alimentare (cablul cu mufă) nu trebuie să intre în contact cu părțile fierbinți ale aparatului.
5. În cazul în care cablul de alimentare (cablul cu mufă) este deteriorat, acest cablu trebuie înlocuit de către producător sau de către un personal

calificat pentru a preveni o situație periculoasă.

6. Nu spălați niciodată produsul prin pulverizare sau turnare de apă pe el! Există riscul de electrocutare.
7. AVERTISMENT: Pentru a evita șocurile electrice, asigurați-vă că circuitul dispozitivului este deschis înainte de a schimba lampa.
8. AVERTISMENT: Întrerupeți toate conexiunile circuitului de alimentare înainte de a accesa terminalele.
9. AVERTISMENT: Dacă suprafața este crăpată, opriți aparatul pentru a evita riscul de electrocutare..
10. Nu utilizați cabluri sau extensii tăiate sau deteriorate, altele decât cablul original.
11. Asigurați-vă că nu există lichid sau umiditate în priză unde urmează să conectați produsul.
12. Suprafața din spate a cuptorului se încălzește când cuptorul este acționat. Conexiunile electrice nu trebuie să atingă suprafața din spate, altfel conexiunile se pot deteriora.
13. Nu strângeți cablurile de conectare la ușa cuptorului și nu le treceți pe suprafețe fierbinți. Dacă cablul se topește, acest lucru poate duce la scurtcircuitarea cuptorului și chiar la incendii.
14. Deconectați aparatul în timpul instalării, întreținerii, curățării și reparației.
15. În cazul în care cablul de alimentare este deteriorat, acesta trebuie înlocuit de producătorul sau de serviciul tehnic autorizat sau de orice alt personal calificat la același nivel, pentru a evita orice situație periculoasă.
16. Asigurați-vă că priză este introdusă ferm în perete pentru a evita scânteele.
17. Nu utilizați produse de curățat cu abur pentru curățarea aparatului, altfel poate apărea șoc electric.
18. Pentru instalare este necesar un comutator omnipolar capabil să deconecteze sursa de alimentare. Deconectarea de la sursa de alimentare trebuie să fie prevăzută cu un întrerupător sau o siguranță integrată instalată pe sursa de alimentare fixă conform codului de construcție.
19. Conexiunile fixe trebuie conectate la o sursă de alimentare care să permită deconectarea omnipolară. Pentru aparatele cu categorii de supratensiune sub III, dispozitivul de deconectare trebuie să fie conectat la sursa de alimentare fixă conform codului de cablare.

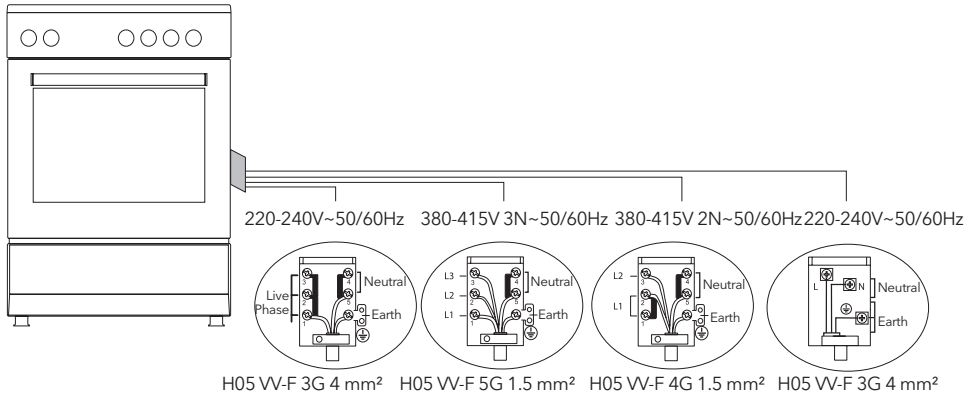
## Utilizarea prevăzută

1. Acest produs a fost conceput pentru uz casnic. Utilizarea comercială nu este permisă.
2. Acest aparat poate fi utilizat numai în scop de gătit. Nu trebuie utilizat în alte scopuri, cum ar fi încălzirea unei camere.
3. Acest aparat nu trebuie utilizat pentru a încălzi plăcile sub grătar, pentru a usca hainele sau prosoapele prin agățarea lor de mâner sau pentru încălzire.
4. Producătorul nu își asumă nicio responsabilitate pentru orice daune cauzate de utilizarea abuzivă sau de manipulare greșită.
5. O parte a cuptorului poate fi utilizată pentru dezghețare, prăjire și preparare la grătar a alimentelor.

## Conexiune electrica

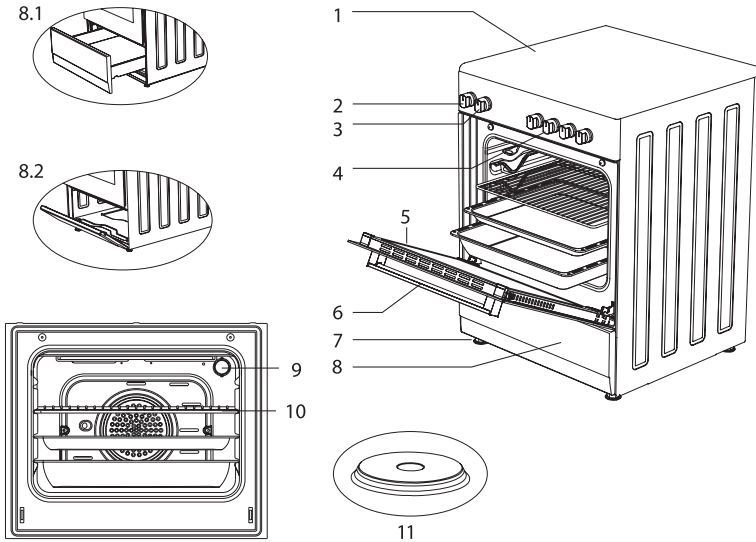
1. Cuptorul dvs. necesită siguranță de 40 Amp. pentru monofazat sau siguranță de 3x16 Amp. pentru alimentare cu 3 faze în funcție de puterea electrică. Secțiunea aragazului are 4 încălzitoare ceramice, iar secțiunea cuptorului are modele electrice. Instalarea de către un electrician calificat este obligatorie.
2. Cuptorul dvs. este reglat în conformitate cu 220-240V / 380-415V AC, 50 / 60Hz. alimentare electrică. Dacă rețeaua de alimentare este diferită de această valoare specificată, contactați serviciul autorizat.
3. Conexiunea electrică a cuptorului trebuie făcută numai la conexiuni / prize cu un sistem de împământare instalat în conformitate cu reglementările locale. Dacă nu există conexiuni / prize cu un sistem de împământare în locul în care va fi instalat cuptorul, contactați imediat un electrician calificat pentru instalare. Producătorul nu este responsabil pentru daunele care vor apărea din cauza faptului că aparatul nu este conectat la un sistem de împământare.
4. Dacă cablul de alimentare se deteriorează, acesta trebuie înlocuit de un agent de service autorizat sau electrician calificat pentru a evita pericolul sau electrocutarea.
5. Cablul electric nu trebuie să atingă părțile fierbinți ale aparatului.
6. Acționați cuptorul în atmosferă uscată.
7. Când plasați cuptorul la locul său, asigurați-vă că acesta este la nivelul contorului. Aduceți-l la nivelul contorului, reglând picioarele, dacă este necesar.

## Schema de conectare electrică



## INTRODUCEREA APARATULUI

Models: CS5400SW, CS6400SW, CS5400SX, CS6400SX



1. Placă de sticlă
2. Buton termostat
3. Buton de comandă pentru cuptor
4. Reglatoarele pentru plite vitro-ceramice
5. Ușa cuptorului
6. Mâner
7. Picior de plastic
8. Ușa inferioară a cuptorului
  - 8.1. Sertar
  - 8.2. Ușă cu clapă
9. Lampă
10. Grătar
11. Placă fierbinte (145 mm sau 185 mm)

## Accesorii

	<p><b>Tavă adâncă *</b></p> <p>Folosit pentru produse de patiserie, fripturi, alimente apoase. Poate fi folosit și ca recipient de colectare a uleiului dacă prăjiți direct pe grătar, alimente congelate și preparate din carne.</p>
	<p><b>Tavă / tava de sticlă *</b></p> <p>Se folosește pentru produse de patiserie (prăjituri, biscuiți etc.), alimente congelate.</p>
	<p><b>Tavă circulară *</b></p> <p>Se utilizează pentru produsele de patiserie congelate.</p>
	<p><b>Grătar de sârmă</b></p> <p>Folosit pentru prăjirea sau plasarea alimentelor care urmează să fie coapte, prăjite și congelate în raftul dorit.</p>
	<p><b>Șină telescopică *</b></p> <p>Tăvile și rafturile pot fi îndepărtate și instalate cu ușurință datorită șinelor telescopice.</p>
	<p><b>Grătar de sârmă în tavă</b></p> <p>Gătirea alimentelor, cum ar fi friptura, sunt așezate pe grătarul tăvii. Astfel preveniți contactul alimentelor cu tava și lipirea de aceasta.</p>
	<p><b>MâneRul tăvii *</b></p> <p>Este folosit pentru a ține tăvi fierbinți.</p>
	<p><b>Unitate de suport pentru oala de cafea *</b></p> <p>Poate fi folosit pentru oala de cafea.</p>

## Caracteristici tehnice ale cuptorului

Specificații	50x55	50x60	60x60
Lățimea exterioară	500 mm	500 mm	600 mm
Adâncimea exterioară	565 mm	630 mm	630 mm
Înălțimea exterioară	855 mm	855 mm	855 mm
Puterea lămpii	15-25 W		
Element de încălzire inferior	1000 W	1000 W	1200 W
Element de încălzire superior	800 W	800 W	1000 W
Element de încălzire turbo	----	1800 W	2200 W
Element de încălzire a grătarului	1500 W	1500 W	2000 W
Tensiunea de alimentare	220-240V AC/380-415V AC 50/60 Hz		
Placă fierbinte 145 mm *	1000 W		
Placă fierbinte 180 mm *	1500 W		
Placă fierbinte rapidă 145 mm *	1500 W		
Placă fierbinte rapidă 180 mm *	2000 W		



### AVERTIZARE!

- **AVERTISMENT:** Pentru ca modificarea să fie făcută de un serviciu autorizat, acest tabel trebuie luat în considerare. Producătorul nu poate fi tras la răspundere pentru problemele apărute în urma modificărilor.
- **AVERTISMENT:** Pentru a crește calitatea produsului, specificațiile tehnice pot fi modificate fără notificare prealabilă.
- **AVERTISMENT:** Valorile furnizate împreună cu aparatul sau documentele însoțitoare sunt citiri de laborator în conformitate cu standardele respective. Aceste valori pot diferi în funcție de utilizare și de condițiile ambientale.



# INSTALAREA CUPTORULUI

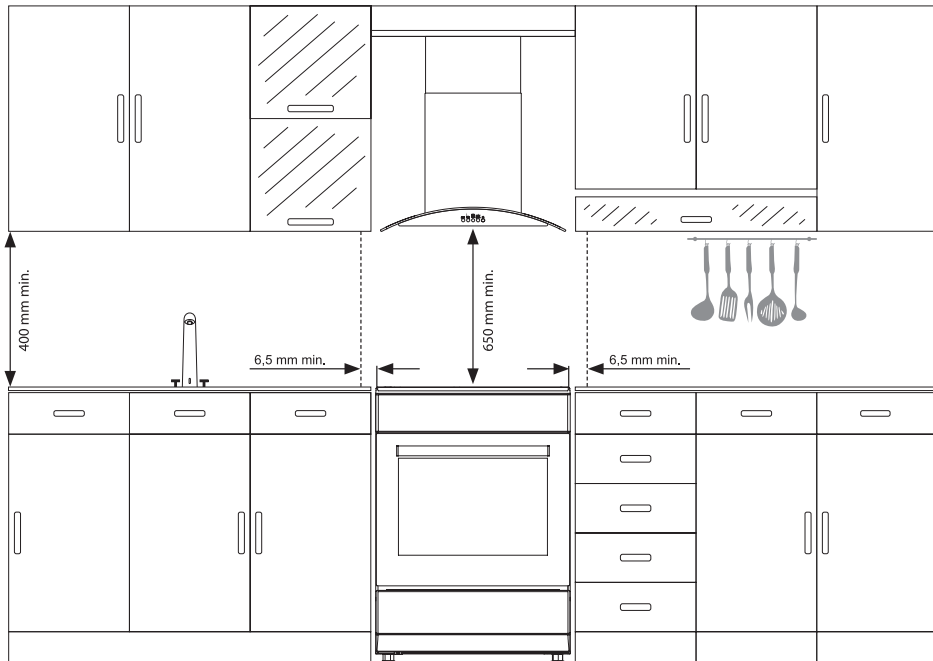
Verificați dacă instalația electrică este adecvată pentru a pune aparatul în funcțiune. Dacă instalația electrică nu este adecvată, sunați un electrician / instalator pentru a aranja utilitățile, după caz. Producătorul nu va fi responsabil pentru daunele cauzate de operațiunile efectuate de persoane neautorizate.

## **AVERTIZARE!**

- **AVERTISMENT:** Este responsabilitatea clientului să pregătească locația pe care trebuie să fie amplasat produsul și să pregătească instalația electrică.
- **AVERTISMENT:** În timpul instalării produsului trebuie respectate regulile din standardele locale cu privire la instalațiile electrice.
- **AVERTISMENT:** rificați dacă există deteriorări ale aparatului înainte de al instala. Nu instalați produsul dacă acesta este deteriorat. Produsele deteriorate prezintă un risc pentru siguranța dumneavoastră.

## Locul potrivit pentru instalare și avertismente importante

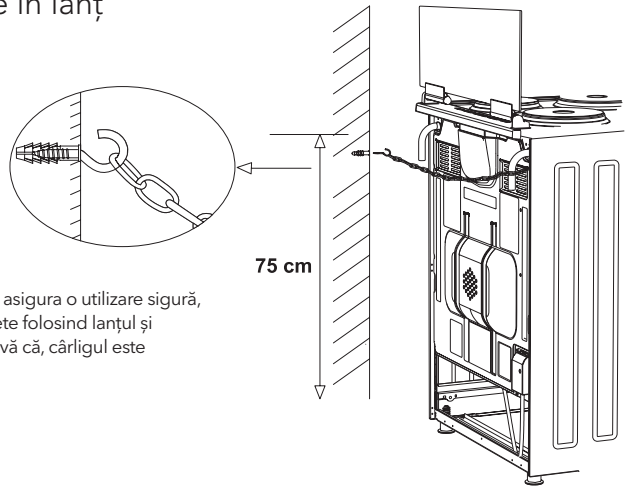
- Picioarele aparatului nu trebuie să rămână pe suprafețe moi, cum ar fi covoare. Pardoseala bucătăriei trebuie să fie durabilă pentru a suporta greutatea unitară și orice alte ustensile de bucătărie care pot fi folosite la cuptor.
- Aparatul trebuie utilizat cu o distanță de minimum 400 mm peste suprafețele superioare ale plitei și 65 mm față de suprafețele laterale din interiorul mobilierului de bucătărie.
- Aparatul este potrivit pentru utilizarea pe ambii pereți laterali, fără niciun suport sau fără a fi instalat într-un dulap. Dacă o hota va fi instalată deasupra aragazului, urmați instrucțiunile producătorului pentru înălțimea de montare. (min. 650 mm)



## **AVERTIZARE!**

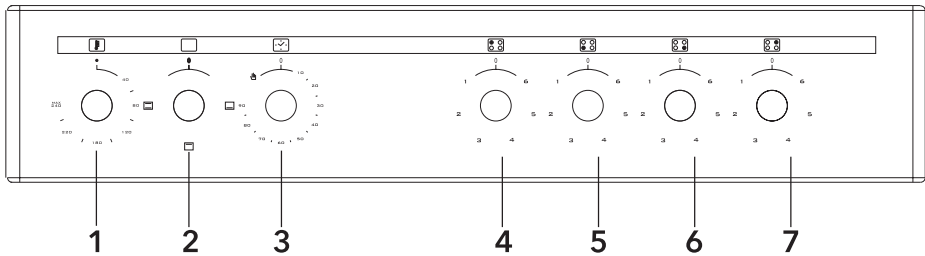
- **AVERTISMENT:** Mobilierul de bucătărie din apropierea aparatului trebuie să fie rezistent la căldură.
- **AVERTISMENT:** Nu instalați aparatul lângă frigider sau răcitoare. Căldura radiată de aparat crește consumul de energie al dispozitivelor de răcire.
- **AVERTISMENT:** Nu utilizați ușa și / sau mânerul pentru a transporta sau muta aparatul.

## Ilustrație de ancorare în lanț



Înainte de a utiliza aparatul, pentru a asigura o utilizare sigură, asigurați-vă că fixați aparatul pe perete folosind lanțul și șurubul cu cârlig furnizate. Asigurați-vă că, cârligul este înșurubat în perete.

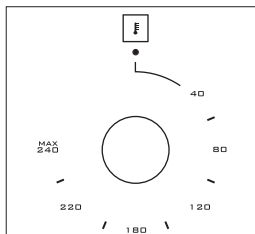
## PANOU DE CONTROL



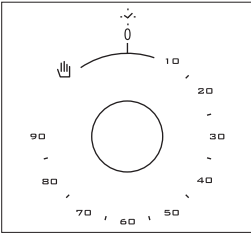
- |                                     |                                       |
|-------------------------------------|---------------------------------------|
| 1. Termostat                        | 5. Încălzitor electric stânga frontal |
| 2. Buton de selectare a funcției    | 6. Încălzitor electric dreapta față   |
| 3. Cronometru mecanic *             | 7. Încălzitor electric spate dreapta  |
| 4. Încălzitor electric stânga spate |                                       |

### AVERTIZARE!

Panoul de control de mai sus este doar în scop ilustrativ. Luați în considerare panoul de control de pe dispozitivul dvs.



**Termostat:** Se utilizează pentru determinarea temperaturii de gătit în cuptor. După introducerea alimentelor în interiorul cuptorului, rotiți comutatorul pentru a regla setarea temperaturii dorite între 40-240 °C. Pentru temperaturile de gătit ale diferitelor alimente, consultați tabelul de gătit.



**Temporizator mecanic\*:** Folosit pentru determinarea timpului de gătit în cuptor. Când timpul ajustat a expirat, alimentarea încălzitoarelor se oprește și emite un semnal sonor de avertizare. Temporizatorul mecanic poate fi ajustat la perioada dorită între 0-90 minute. Pentru perioadele de gătit, consultați mesele de gătit.

## UTILIZAREA CUPTORULUI

### Utilizarea elementelor de încălzire a cuptorului

1. Când cuptorul dvs. este pornit prima dată, se va răspândi un miros care va proveni de la elementele de încălzire. Pentru a scăpa de acest lucru, acționați-l la 240 ° C timp de 45-60 de minute cât este gol.
2. Butonul de control al cuptorului trebuie poziționat la valoarea dorită; altfel cuptorul nu funcționează.
3. Meniurile, timpii de gătit și pozițiile termostatului sunt date în tabelul de gătit. Valorile date în tabelul de gătit sunt valori caracteristice și au fost obținute ca urmare a testelor efectuate în laboratorul nostru. Puteți găsi diferite arome potrivite gustului dvs. în funcție de gătit și de obiceiurile folosite.
4. Puteți face pui la rotisor în cuptor cu ajutorul accesoriilor.
5. Timpii de gătit: Rezultatele se pot modifica în funcție de tensiunea zonei și materialul, având calitatea, cantitatea și temperatura diferite.
6. În timpul perioadei de gătit în cuptor, capacul cuptorului nu trebuie deschis frecvent. În caz contrar, circulația căldurii poate fi dezechilibrată și rezultatele se pot modifica.

### Utilizarea grătarului

1. Când așezați grătarul pe raftul superior, alimentele de pe grătar nu trebuie să atingă raftul.
2. Puteți preîncălzi cuptorul 5 minute în timp ce utilizați grătarul. Dacă este necesar, puteți întoarce mâncarea.
3. Alimentele trebuie să fie în centrul grătarului pentru a asigura un flux maxim de aer prin cuptor.

#### **Pornirea grătarului;**

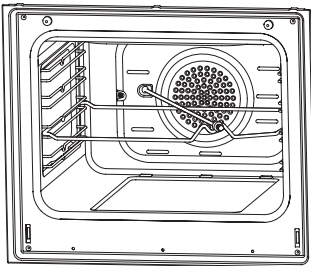
1. Rotiți butonul la simbolul grătarului.
2. Apoi, setați-l la temperatura dorită.

#### **Oprirea grătarului;**

Rotiți butonul la poziția oprit.

**⚠ AVERTIZARE!** Păstrați ușa cuptorului închisă. (grătar electric)

### Utilizarea rotisorului de pui \*



Așezați stropitoarea în cadru. Glisați stropitoarea în cuptor la nivelul dorit. Așezați o tavă pe fundul cuptorului pentru a aduna grăsimea picurată. Adăugați puțină apă în tavă în care picură pentru o curățare ușoară. Nu uitați să îndepărtați partea din plastic din rotisor. După utilizarea rotisorului, înșurubați mânerul din plastic la frigăruie și scoateți alimentele din cuptor.

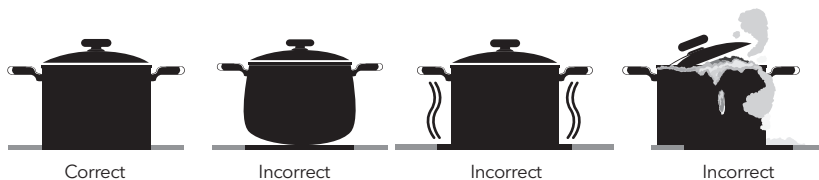
## Utilizarea plitei

	Nivel 1	Nivel 2	Nivel 3	Nivel 4	Nivel 5	Nivel 6
80 mm	200 W	250 W	450 W	---	---	---
145 mm	250 W	750 W	1000 W	---	---	---
180 mm	500 W	750 W	1500 W	---	---	---
145 mm rapid	500 W	1000 W	1500 W	---	---	---
180 mm rapid	850 W	1150 W	2000 W	---	---	---
145 mm	95 W	155 W	250 W	400 W	750 W	1000 W
180 mm	115 W	175 W	250 W	600 W	850 W	1500 W
145 mm rapid	135 W	165 W	250 W	500 W	750 W	1500 W
180 mm rapid	175 W	220 W	300 W	850 W	1150 W	2000 W
220 mm	220 W	350 W	560 W	910 W	1460 W	2000 W

1. Plitele electrice au standard de 6 niveluri de temperatură (așa cum este descris mai sus).
2. La prima utilizare, acționați plita electrică la nivelul 6 timp de 5 minute. Acest lucru va face ca agentul de pe plita dvs., care este sensibil la căldură, să se întărească prin ardere.
3. Folosiți cratițe cu fund plat care intră în contact cu căldura cât de mult puteți, astfel încât să puteți folosi energia mai productiv.

### AVERTIZARE!

Din cauza utilizării intensive a aparatului, se poate schimba culoarea inelelor plăcilor fierbinți și zona înconjurătoare. Intervențiile de service nu sunt acoperite de garanție în acest caz.



Correct

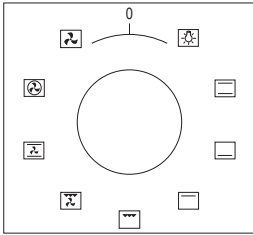
Incorrect

Incorrect

Incorrect

# TIPURI DE PROGRAME

Models: CS5400SW, CS6400SW, CS5400SX, CS6400SX



**Butonul de pornire:** utilizat pentru determinarea încălzitoarelor utilizate pentru gătitul în cuptor. Tipurile de programe de încălzire din acest buton și funcțiile lor sunt descrise mai jos. Este posibil ca toate tipurile de încălzitoare și tipurile de programe care constau din aceste încălzitoare să nu fie disponibile la toate modelele.

	Întoarce stropitoare		Ventilație
	Element de încălzire Superior + Inferior		Încălzire turbo + Ventilație
	Lampă		Elemente de încălzire inferior + Elemente de încălzire superior + Ventilație
	Element de încălzire inferior + Ventilați		Element de încălzire a grătarului + Ventilație
	Element de încălzire a grătarului		Arzător pentru grătar / Element de încălzire a grătarului
	Element de încălzire a grătarului + Lampă		Element de încălzire superior
	Temporizator electric		Arzător cuptor / Element de încălzire inferior



## AVERTIZARE!

Este posibil ca toate tipurile de încălzitoare și tipurile de programe să nu fie disponibile la toate modelele.

## INSTALAREA UȘII CUPTORULUI

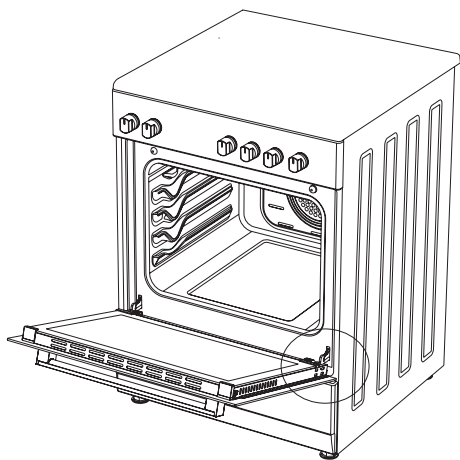


Figura 1

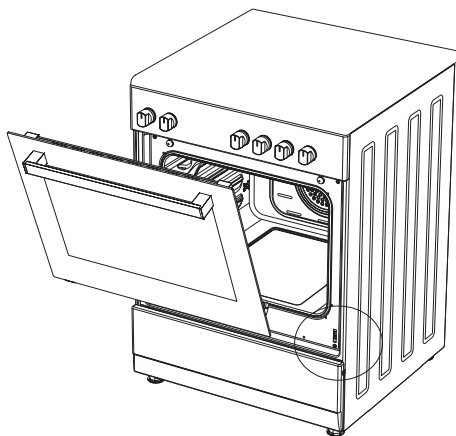


Figura 2

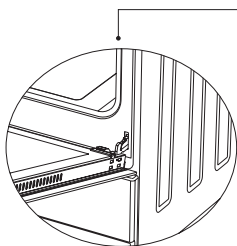


Figura 1.1

Deschideți ușa complet trăgând ușa cuptorului către dvs. Apoi efectuați operația de deblocare trăgând în sus blocarea balamalei cu ajutorul șurubelniței, așa cum este indicat în figura 1.1.

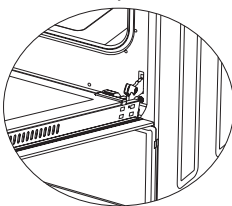


Figura 1.2

Setați blocarea balamalei la cel mai larg unghi ca în figura 1.2. Reglați ambele balamale conectând ușa cuptorului la cuptor în aceeași poziție.

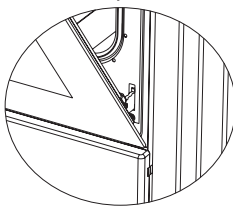


Figura 2.1

Mai târziu, închideți ușa cuptorului deschisă astfel încât să poată intra în contact cu dispozitivul de blocare a balamalei ca în figura 2.1.

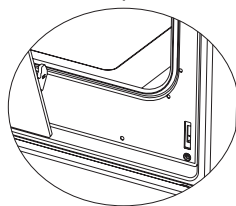


Figura 2.2

Pentru a scoate mai ușor ușa cuptorului, când se apropie de poziția închisă, țineți capacul cu două mâini ca în figura 2.2 și trageți în sus.

Efectuați invers ceea ce ați făcut în timp ce deschideți ușa pentru a reinstala ușa cuptorului înapoi.

## Curățarea sticlei cuptorului

Ridicați apăsând pe zăvoarele din plastic din partea stângă și dreaptă, așa cum se arată în figura 3 și trăgând profilul către dvs. ca în figura 4. Sticla este eliberată după ce profilul a fost îndepărtat, așa cum se arată în figura 5. Scoateți sticla eliberată trăgând spre dvs. cu atenție. Sticla exterioară este fixată pe profilul ușii cuptorului. Puteți efectua cu ușurință curățarea geamurilor după eliberarea ochelarilor. Puteți monta ochelarii înapoi efectuând operațiile invers după finalizarea curățării și întreținerii. Asigurați-vă că profilul este așezat corect în poziție.

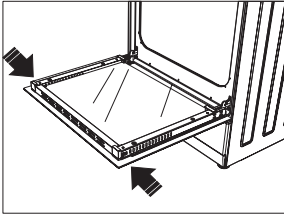


Figura 3

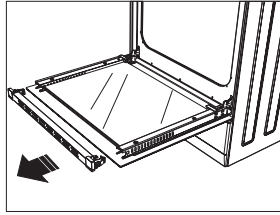


Figura 4

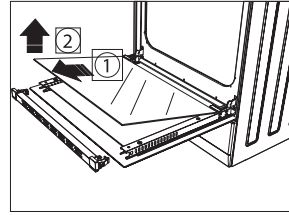


Figura 5

### Panou catalitic\*

În cuptorul, în pereții dreapta și stânga ai cavității cuptorului. Panoul catalitic elimină mirosul ofensator și oferă utilizarea aparatului dvs. la cele mai bune performanțe. În timp, mirosurile de ulei și alimente pătrund în pereții emailați ai cuptorului și în elementele de încălzire. Panoul catalitic absoarbe mirosurile de limente și uleiuri și le arde în timpul gătitului pentru a vă curăța cuptorul.

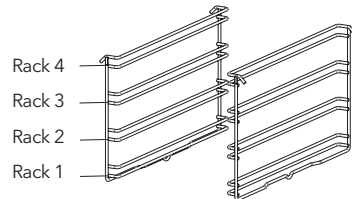
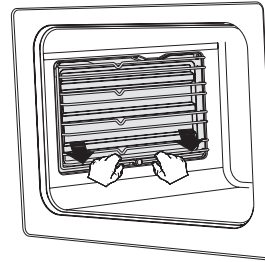
### Detășarea panoului catalitic

Pentru a elimina panoul catalitic; mai întâi scoateți rafturile. După îndepărtarea rafturilor, panoul catalitic va fi liber. Se recomandă înlocuirea panoului catalitic o dată la 2-3 ani.

### Poziții rafturi

Este important să introduceți grătarul metalic în cuptor în mod corespunzător. Nu permiteți rețelei să atingă peretele din spate al cuptorului. Pozițiile rack-ului sunt prezentate în figura următoare. Puteți plasa o tavă adâncă sau o tavă standard în rafturile inferioare și superioare.

Figura 6



### Instalarea și scoaterea rafturilor

Pentru a îndepărta rafturile de sârmă, apăsați clemele afișate cu săgeți în figură, scoateți mai întâi partea inferioară și cea superioară din locul de instalare. Pentru a instala rafturi; inversați procedura de îndepărtare a raftului.

### Înlocuirea lămpii cuptorului



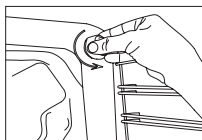
Pentru a evita șocurile electrice, asigurați-vă că circuitul aparatului este deschis înainte de a schimba lampa. (având circuitul deschis înseamnă că alimentarea este oprită)

Mai întâi deconectați alimentarea aparatului și asigurați-vă că aparatul este rece.

Îndepărtați protecția sticlei rotindu-se așa cum este indicat în figura din partea stângă. Dacă aveți dificultăți la întoarcere, atunci folosirea mânușilor din plastic vă va ajuta la întoarcere.

Apoi scoateți lampa rotind, instalați noua lampă cu aceleași specificații.

Reinstalați protecția din sticlă, conectați cablul de alimentare al aparatului la priza electrică și înlocuiți-l complet. Acum vă puteți folosi cuptorul.

**Type G9 Lamp**

220-240 V, AC 15-25 W

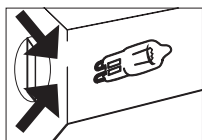


Figura 7

**Type E14 Lamp**

220-240 V, AC 15 W



Figura 8

**Utilizarea foii deflectoare a grătarului \***

1. Un panou de siguranță este proiectat pentru a proteja panoul de control și butoanele atunci când cuptorul este în modul grătar. (Figura 9)
2. Vă rugăm să utilizați acest panou de siguranță pentru a evita căldura să deterioreze panoul de control și butoanele când cuptorul este în modul grătar.

**AVERTIZARE!**

Părțile accesibile pot fi fierbinți atunci când grătarul este utilizat. Copiii mici trebuie ținuti departe.

3. Așezați panoul de siguranță sub panoul de control deschizând sticla capacului frontal al cuptorului. (Figura 10)
4. Apoi fixați panoul de siguranță între cuptor și capacul frontal închizând ușor capacul. (Figura 11)
5. Este important pentru gătit să păstrați capacul deschis la distanța specificată atunci când gătiți în modul grătar.
6. Panoul de siguranță va oferi o situație de gătit ideală, protejând în același timp panoul de control și butoanele.

**AVERTIZARE!**

Dacă aragazul are opțiunea „grătar închis funcțional” cu termostat, puteți menține ușa cuptorului închisă în timpul funcționării; în acest caz foaia deflectorului grătarului va fi inutilă.

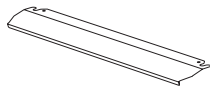


Figura 9

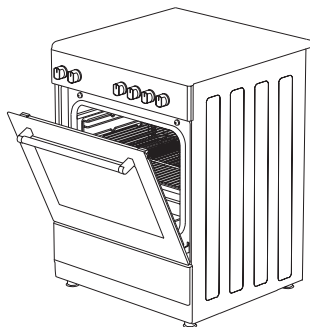


Figura 10

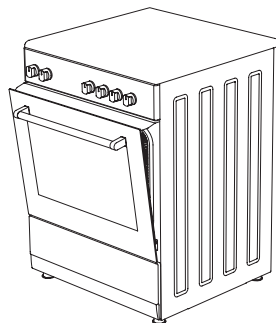


Figura 11



# DIAGNOSTICARE

Puteți rezolva problemele pe care le puteți întâlni cu produsul dvs. verificând următoarele puncte înainte de a apela la serviciul tehnic.

## Puncte de verificare

În cazul în care întâmpinați o problemă legată de cuptor, verificați mai întâi tabelul de mai jos și încercați sugestiile.

Problemă	Cauză Posibilă	Soluție
Cuptorul nu funcționează.	Alimentarea nu este disponibilă.	Verificați dacă există sursa de alimentare.
Cuptorul se oprește în timpul gătitului.	Priza iese din priza de perete.	Reinstalați priza de perete.
Se oprește în timpul gătitului.	Funcționare continuă prea lungă.	Lăsați cuptorul să se răcească după cicluri lungi de gătit.
	Mai multe prize se conectează la o priză de perete	Utilizați doar o priză pentru fiecare priză de perete.
Ușa cuptorului nu se deschide corect.	Reziduurile alimentare s-au blocat între ușă și cavitatea internă.	Curățați bine cuptorul și încercați să redeschideți ușa.
Șoc electric la atingerea cuptorului.	Nu există o împământare adecvată.	Asigurați-vă că sursa de alimentare este împământată corect.
	Se utilizează o priză de perete neîmpământată	
Picură apa.	Apa sau aburul pot genera în anumite condiții, în funcție de mâncarea gătită. Aceasta nu este o eroare a aparatului.	Lăsați cuptorul să se răcească și apoi ștergeți-l cu un prosop.
Aburul care iese dintr-o crăpătură de pe ușa cuptorului.		
Apa rămasă în cuptor.		
Fum în timpul funcționării	În timpul operării cuptorului pentru prima dată.	Fumul iese din încălzitoare. Aceasta nu este o eroare. După 2-3 cicluri, nu va mai fi fum.
	Mancare pe încălzitor.	Lăsați cuptorul să se răcească și curățați resturile de alimente de la solul cuptorului și de la suprafața încălzitorului superior.
Când este funcțional cuptorul miroase a ars sau scoate miros de plastic.	În interiorul cuptorului se utilizează accesorii din plastic sau alte accesorii care nu sunt rezistente la căldură.	La temperaturi ridicate, utilizați accesorii de sticlărie adecvate.
Cuptorul nu se încălzește.	Ușa cuptorului este deschisă.	Închideți ușa și reporniți.
	Comenzile cuptorului nu sunt reglate corect.	Citiți secțiunea privind funcționarea cuptorului și resetați cuptorul.
	Siguranța s-a declanșat sau întrerupătorul este oprit.	Înlocuiți siguranța sau resetați întrerupătorul. Dacă acest lucru se repetă frecvent, sunați la un electrician.
Cuptorul nu gătește bine.	Ușa cuptorului este deschisă frecvent în timpul gătitului.	Nu deschideți ușa cuptorului frecvent, dacă alimentele pe care le gătiți nu necesită întoarcere. Dacă deschideți ușa ușor temperatura internă scade și, prin urmare, rezultatul gătirii va fi influențat.

Problemă	Cauză Posibilă	Soluție
Lumina internă este slabă sau nu funcționează.	Obiect străin care acoperă lampa în timpul gătitului.	Curățați suprafața internă a cuptorului și verificați din nou.
	Este posibil ca lampa să nu funcționeze.	Înlocuiți-o cu o lampă cu aceleași specificații.

## REGULI DE MANIPULAREA

1. Nu folosiți ușa și / sau mânerul pentru a transporta sau muta aparatul.
2. Efectuați deplasarea și transportul în ambalajul original.
3. Acordați o atenție maximă aparatului în timpul încărcării / descărcării și manipulării.
4. Asigurați-vă că ambalajul este bine închis în timpul manipulării și transportului.
5. Protejați-vă de factorii externi (cum ar fi umiditatea, apa etc.) care pot deteriora ambalajul.
6. Aveți grijă să nu deteriorați aparatul din cauza unor denivelări, accidente, picături etc. în timpul manipulării și transportului și să nu îl rupeți sau să îl deformați în timpul funcționării.

## RECOMANDĂRI PENTRU ECONOMISIREA ENERGIEI

Următoarele detalii vă vor ajuta să utilizați produsul dvs. ecologic și economic.

1. Folosiți recipiente de culoare închisă și smalț care să conducă mai bine căldura în cuptor.
2. Pe măsură ce gătiți mâncarea, dacă rețeta sau manualul de utilizare indică necesitatea preîncălzirii, preîncălziți cuptorul.
3. Nu deschideți ușa cuptorului frecvent în timp ce gătiți.
4. Încercați să nu gătiți mai multe feluri de mâncare simultan în cuptor. Puteți găti în același timp plasând două aragazuri pe grătar.
5. Gătiți mai multe feluri de mâncare succesiv. Cuptorul nu va pierde căldura.
6. Oprii cuptorul cu câteva minute înainte de expirarea timpului de gătit. În acest caz, nu deschideți ușa cuptorului.
7. Decongețați alimentele congelate înainte de a găti.

## ELIMINAREA



Eliminați ambalajul într-un mod ecologic.

Acest aparat este etichetat în conformitate cu Directiva europeană 2012/19 / UE privind aparatele electrice și electronice uzate (deșeuri de echipamente electrice și electronice - DEEE). Ghidul stabilește cadrul de lucru pentru returnarea și reciclarea aparatelor uzate, după cum se aplică în întreaga UE.

## INFORMAȚII PRIVIND AMBALAJUL

Materialele de ambalare ale produsului sunt fabricate din materiale reciclabile în conformitate cu reglementările noastre naționale de mediu. Nu aruncați materialele de ambalare împreună cu deșeurile menajere sau alte deșeuri. Duceți-le la punctele de colectare a materialelor de ambalare desemnate de autoritățile locale.

Spoštovani uporabnik,

priporočamo, da pred uporabo izdelka natančno preberete priročnik in ga imate vedno pri roki.

### OPOMBA

Ta uporabniški priročnik je pripravljen za več modelov. Nekaterih funkcij, ki so v njem navedene, morda v vašem aparatu ni.

Vsi naši aparati so namenjeni le uporabi v gospodinjstvih in ne komercialni uporabi. Izdelki, označeni z (\*), so izbira možnost.

**Skladno s predpisi o odpadni električni in elektronski opremi (OEEO).**

## POMEMBNA OPOZORILA

- amešcanje in popravila mora vedno izvajati **POOBLAŠČENI SERVIS**. Proizvajalec ne odgovarja za dela, ki jih izvedejo nepooblaščen osebe.
- Natančno preberite ta navodila za delo. Le na ta način lahko aparat uporabljate varno in pravilno.
- Pečico morate uporabljati v skladu z navodili za delo.
- Med delovanjem naj v bližini ne bo otrok, mlajših od 8 let, in hišnih ljubljencev.
- OPOZORILO: Pri uporabi žara so deli, ki so dostopni, lahko vroči. Otroci naj se aparatu ne približujejo.**
- OPOZORILO: Nevarnost požara; na kuhhalno površino ne odlagajte nobenih pripomočkov.**
- OPOZORILO: Aparat in deli aparata, ki so dostopni, so med delovanjem vroči.**
- Pogoji nastavitve aparata so označeni na nalepki (ali na tablici s podatki).
- Pri uporabi žara so deli, ki so dostopni, lahko vroči. Majhni otroci naj se ne približujejo aparatu.
- OPOZORILO: Ta aparat je namenjen samo za kuhanje/pečenje. Ni ga dovoljeno uporabljati v druge namene, na primer za ogrevanje prostora.**
- Aparata ne čistite s parnimi čistilniki.
- Ko postavite hrano v pečico, se prepričajte, ali so njena vrata popolnoma zaprta.
- Požara NIKOLI ne skušajte gasiti z vodo. Najprej izklopite električni tokokrog aparata in nato pokrijte ogenj s pokrovom ali odejo.
- Otroci, mlajši od 8 let, se brez nenehnega nadzora aparatu ne smejo približevati.
- Pazite, da se ne dotaknete grelnih elementov.
- POZOR: Postopek pečenja je treba nadzorovati. Postopek pečenja je treba vedno nadzorovati.**
- Ta aparat lahko uporabljajo otroci, starejši od 8 let, osebe z zmanjšanimi telesnimi, slušnimi ali duševnimi sposobnostmi in osebe brez izkušenj ali znanja, če so pod nadzorom ter so obveščeni o nevarnostih.
- Ta aparat je zasnovan samo za uporabo v gospodinjstvu.
- Otroci se z aparatom ne smejo igrati. Otroci ne smejo čistiti in vzdrževati aparata, razen če so stari 8 in več let ter so pod nadzorom odraslih.
- Otroci, mlajši od 8 let, naj ne bodo v bližini aparata in njegovega napajalnega kabla.
- Preden aparat uporabite, iz njegove bližine odstranite vse zavese, til, papir ali kateri koli drug vnetljivi (gorljiv) material. Gorljivega ali vnetljivega materiala ne postavljajte na aparat ali vanj.
- Kanali za prezračevanje naj bodo odprti.
- Aparat ni primeren za uporabo skupaj z zunanjim časovnikom ali ločenim sistemom daljinskega upravljanja.
- Zaprth konzerv in steklenih kozarcev ne segrevajte. Zaradi pritiska lahko kozarci eksplodirajo.
- Ročaj pečice ni sušilnik za kuhinjske krpe. Kuhinjskih krp ipd. ne obešajte na ročaj pečice.
- Pladnjev pečice, krožnikov ali aluminijaste folije ne postavljajte neposredno na dno pečice. Toplota, ki se akumulira, lahko poškoduje dno pečice.
- Ko dajete hrano v pečico ali pa jo jemljete iz nje, vedno uporabljajte rokavice, ki so odporne na toploto in primerne za prijetanje vročih predmetov.
- Če jemljete zdravila in/ali ste pod vplivom alkohola, kar lahko vpliva na vašo zmožnost presoje, izdelka ne uporabljajte.
- Pri uporabi alkohola v hrani bodite previdni. Alkohol pri visokih temperaturah izhlapeva in se lahko vname; če pride v stik z vročimi površinami, to lahko povzroči požar.
- Po vsaki uporabi preverite, ali je enota izklopljena.
- Če je aparat okvarjen ali vidno poškodovan, ga ne uporabljajte.

32. Vtiča ne prijemajte z vlažnimi rokami. Pri izklopu vtiča ne vlecite, ampak ga vedno držite.
33. Če je aparat brez sprednjih vrat ali če so ta zlomljena, ga ne uporabljajte.
34. Papir za peko skupaj s hrano postavite v predhodno ogreto pečico tako, da ga položite v pekač ali pa v pripomoček pečice (na pladenj, žično rešetko ipd.).
35. Na aparat ne postavljajte predmetov, ki jih lahko dosežejo otroci.
36. Pomembno je, da žično rešetko in pladenj pravilno postavite na žična vodila in/ali da pravilno postavite pladenj na vodila. Rešetko ali pladenj postavite med obe vodili in se pred nalaganjem hrane prepričajte, ali je stabilen.
37. Odstranite odvečne dele papirja za peko, ki visijo iz pripomočka ali posode; pri tem upoštevajte tveganje, da se lahko dotaknete elementov grelnika pečice.
38. Papirja za peko nikoli ne uporabljajte pri temperaturah, ki so višje od najvišje temperature za uporabo, ki je navedena na njem. Papirja za peko ne polagajte na dno pečice.
39. Ko so vrata odprta, nanje ne postavljajte nobenih težkih predmetov in ne dovolite otrokom, da sedajo nanje. Pečica se lahko prevrne ali pa se poškodujejo tečajji vrat.
40. Materiali za embalažo so otrokom nevarni. Poskrbite, da materiali za embalažo nikoli ne bodo v bližini otrok.
41. Za čiščenje stekla ne uporabljajte abrazivnih čistil ali ostrih kovinskih strgal, saj se zaradi prask, ki se lahko pojavijo na površini steklenih vrat, steklo lahko zlomi.
42. Ne postavljajte naprave na površine prekrite s preprogo. Električni deli se lahko pregrejejo ker na spodnji strani ni ventilacije. To bo pripeljalo do okvare naprave.
43. plošč ne udarjajte s trdimi kovinami, ker se grelniki lahko poškodujejo. S tem lahko pride do električnega udara.
44. Uporabnik ne sme sam popravljati pečice.
45. Bodite previdni: če je podnožje pečice demontirano ali se zlomi, se hrana lahko polije. Lahko pride do telesnih poškodb.
46. Med uporabo pečice se njene notranje in zunanje površine segrejejo. Ko odprete vrata pečice, se od nje oddamnite, da se izognete vroči pari, ki izhaja iz nje. Obstaja tveganje opeklin.
47. Zgornji pokrov štedilnika se lahko zapre, zato se posode s hrano na njem lahko prevrnejo. Odmaknite se, da vroča hrana ne bo padla na vas. Obstaja tveganje opeklin.
48. Ko so vrata pečice odprta, nanje ne postavljajte težkih predmetov; pečica se lahko prevrne.
49. Uporabnik med čiščenjem ne sme premikati grelnike. S tem lahko pride do električnega udara.
50. Na površino aparata ne postavljajte kovinskega pribora, kot so noži, vilice in žlice, saj se bo segrel.
51. Stikal za vžig ne odstranjujte z aparata. Sicer boste omogočili dostop do nezaščitenih električnih kablov. S tem lahko pride do električnega udara.
52. Med kakršnimi koli gradbenimi deli doma je mogoče napajanje pečice izklopiti. Po koncu del mora ponovni priklop pečice opraviti pooblaščenih servis.
53. Da se aparat ne pregreje, ga ne smete namestiti za okrasno oblogo.
54. Preden odstranite varovala, aparat izklopite. Po čiščenju namestite varovala v skladu z navodili.
55. Točko za pritrditev kabla je treba zavarovati.
56. **OPOZORILO: Ne uporabljajte pečice in gorilnika obenem.**
57. Hrane ne kuhajte/pecite neposredno na pladnju/rešetki. Preden jo postavite v pečico, jo položite v primerno posodo.
58. Ne zapirajte pokrova dokler se vroče površine ne ohladijo.
59. **POZOR: Če se steklo štedilnika razbije, takoj izklopite vse grelne elemente in aparat izklopite iz napajanja; ne dotikajte se površine aparata in aparata ne uporabljajte.**

## Varnost v zvezi z elektriko

1. Napravo priključite v ozemljeno vtičnico, zavarovano z varovalko, ki je skladna z vrednostmi v preglednici tehničnih specifikacij.
2. Opremo za ozemljitev naj namesti pooblaščen električar. Naše podjetje ni odgovorno za škodo, ki bi nastala zaradi uporabe izdelka, ki ni ozemljen v skladu z lokalnimi predpisi.
3. Treba je namestiti odklopnike tokokroga pečice, tako da jih končni uporabnik po namestitvi pečice lahko doseže.
4. Napajalni kabel (kabel z vtičem) se ne sme dotikati vročih delov aparata.
5. Če je napajalni kabel (kabel z vtičem) poškodovan, ga mora proizvajalec ali njegov servisni zastopnik ali pa enakovredno usposobljeno osebje zamenjati, da prepreči nevarno situacijo.
6. Izdelka nikoli ne čistite tako, da bi po njem pršili ali zlivali vodo. Obstaja tveganje smrti zaradi elektrike.
7. **OPOZORILO:** Preden zamenjate žarnico, poskrbite, da bo tokokrog naprave odprt, da preprečite električni udar.

8. OPOZORILO: Pred dostopom do priključkov odklopite vse priključke napajalnega tokokroga.
9. OPOZORILO: Če je površina počena, aparat izklopite, da preprečite električni udar.
10. Ne uporabljajte odrezanih ali poškodovanih kablov ali pa podaljškov kablov, ki niso originalni.
11. Poskrbite, da v vtičnici, v katero je nameščen vtič izdelka, ne bo tekočine ali vlage.
12. Med delovanjem pečice se segreje tudi njena hrbtina površina. Električni priključki se ne smejo dotikati hrbtne površine, sicer se priključki lahko poškodujejo.
13. Priključnih kablov ne pritrujte na vrata pečice in jih ne speljite prek vročih površin. Če se kabel stali, to pri pečici lahko povzroči kratek stik in celo požar.
14. Enoto med namestitvijo, vzdrževanjem, čiščenjem in popravilom vedno izklopite.
15. Da preprečite kakršno koli nevarno situacijo, mora napajalni kabel, ki je poškodovan, zamenjati proizvajalec, pooblaščen tehnični servis ali katero koli drugo osebo, ki je enakovredno usposobljena.
16. Da preprečite iskenje, poskrbite, da bo vtič trdno vstavljen v stensko vtičnico.
17. Za čiščenje ne uporabljajte parnih čistilnikov, sicer lahko pride do električnega udara.
18. Pri namestitvi je potrebno večpolno stikalo za odklop napajanja. V skladu z gradbenim zakonom je treba za odklop od napajanja poskrbeti s stikalom ali vgrajeno varovalko na fiksnem napajanju.
19. Fiksni priključki morajo biti priključeni na napajanje, pri katerem je omogočen odklop z večpolnim stikalom. Pri aparatih s kategorijo prenapetostne zaščite III mora biti odklopnik priključen na fiksno napajanje v skladu z oznakami na ožičenju

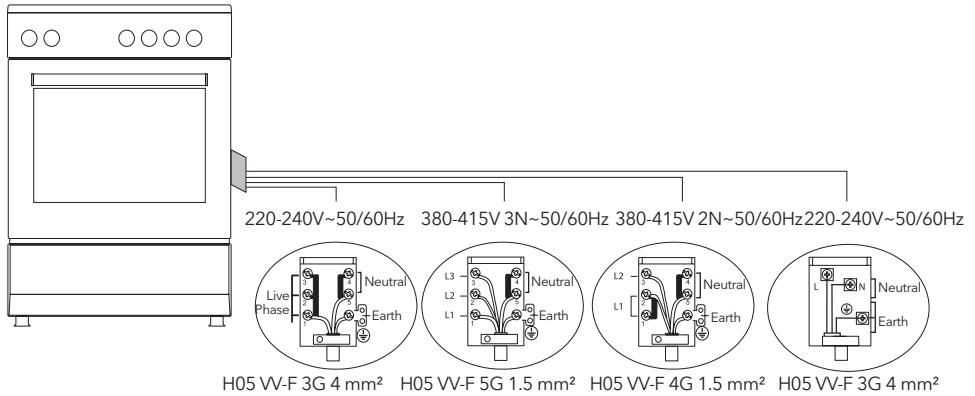
## Predvidena uporaba

1. Ta izdelek je zasnovan za domačo uporabo. Komericalna uporaba ni dovoljena.
2. Ta aparat je dovoljeno uporabljati le za kuhanje/pečenje. Ni ga dovoljeno uporabljati v druge namene, na primer za ogrevanje prostora.
3. Ta aparat se ne sme uporabljati za gretje krožnikov pod žarom, sušenje oblačil ali kuhinjskih krp z obešanjem na ročaj ali za ogrevanje.
4. Proizvajalec ne prevzema nobene odgovornosti za kakršno koli škodo zaradi nepravilne uporabe ali napačnega rokovanja.
5. Del enote, ki vsebuje pečico, lahko uporabljate za odtaljevanje, pečenje in cvrtje hrane ter peko hrane na žaru.

## Električni priključek

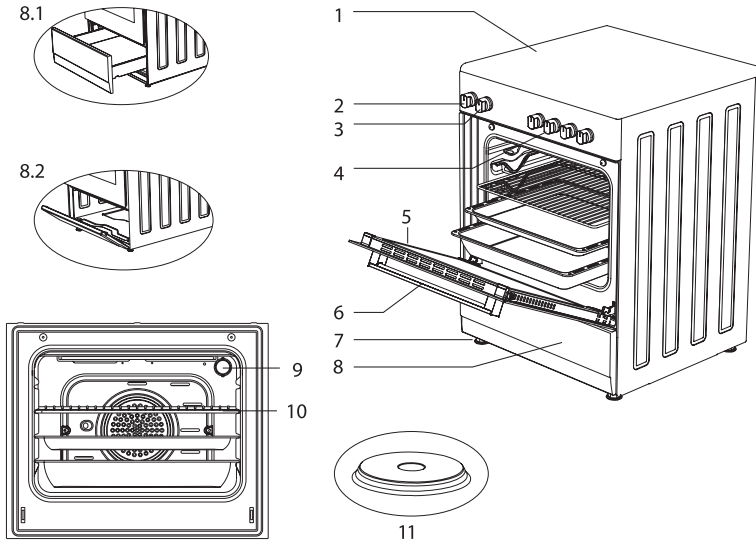
1. Pri enofaznem napajanju pečice je potrebna 40-amperska varovalka, pri trifaznem pa tri 16-amperske varovalke, v skladu z električno močjo za kahalno ploščo s 4 keramičnimi grelniki in pečico z električnimi modeli. Namestitev mora obvezno izvesti usposobljeni električar.
2. Pečica je prilagojena električnemu napajanju z izmenično napetostjo 220-240 V/380-415 V in frekvenco 50/60 Hz. Če se vrednosti v omrežju razlikujejo od navedenih, se obrnite na pooblaščen servis.
3. Priklop elektrike na pečico mora biti izveden le prek priključkov/vtičnic z nameščenim sistemom ozemljitve v skladu z lokalnimi predpisi. Če na mestu, kjer bo nameščena pečica, ni priključkov/vtičnic z vzpostavljenim sistemom ozemljitve, se nemudoma obrnite na usposobljenega električarja, da jih namesti. Proizvajalec ne odgovarja za škodo, ki bi nastala, ker aparat ni priključen na sistem ozemljitve.
4. Da preprečite nevarnost ali električni udar, mora poškodovani napajalni kabel zamenjati zastopnik pooblaščenega servisa ali usposobljeni električar.
5. Električni kabli se ne smejo dotikati vročih delov aparata.
6. Pečica naj deluje v suhem ozračju.
7. Ko postavite pečico na njeno mesto, poskrbite, da bo poravnana s pultom. Po potrebi jo poravnajte s pultom tako, da prilagodite nožice.

## Shema priklopa na elektriko



## PREDSTAVITEV APARATA

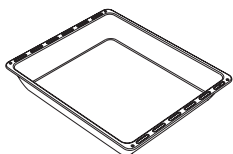
Modeli: CS5400SW, CS6400SW, CS5400SX, CS6400SX



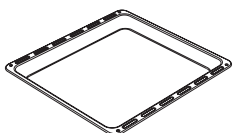
1. Zgornja steklena plošča
2. Gumb za termostat
3. Nadzorni gumb za pečico
4. Regulatorji za steklokeramične plošče
5. Vrata pečice
6. Ročaj
7. Plastična nožica

8. Vrata spodnje omarice
- 8.1. Predal
- 8.2. Preklopna vrata
9. Žarnica
10. Žar
11. Grelna plošča (145 mm ali 185 mm)

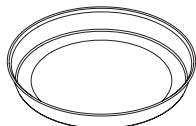
## Pripomočki

**Globoki pladenj\***

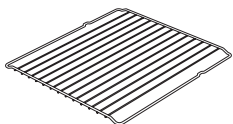
Uporablja se za drobno pecivo, večje kose pečenja, sočno hrano. Če torte, zmrznjeno hrano in jedi iz mesa pečete neposredno na žaru, se lahko uporablja tudi kot posoda za zbiranje olja.

**Pladenj/stekleni pladenj\***

Uporablja se za drobno pecivo (piškote, biskvit ipd.) in zamrznjeno hrano.

**Okrogli pladenj\***

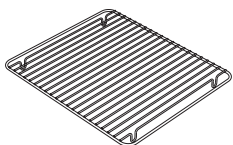
Uporablja se za drobno pecivo in zamrznjeno hrano.

**Žična rešetka (žar)**

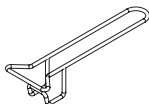
Uporablja se za pečenje ali nalaganje hrane za pečenje ali zmrznjene hrane na vodilo zelene višine.

**Teleskopska vodila\***

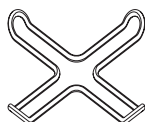
S teleskopskimi vodili zlahka odstranjujete in nameščate pladnje in žične rešetke.

**Žična rešetka v pladnju\***

Hrano, ki se med pečenjem lepi, kot so zrezki, lahko postavite na žično rešetko v pladnju. Tako preprečite stik hrane s pladnjem in lepljenje.

**Ročaj pladnja\***

Uporablja se za držanje vročih pladnjev.

**Nastavek za džezvo \***

Nastavek lahko uporabite za kuhanje kave.

## Tehnične lastnosti pečice

Specifikacije	50x55	50x60	60x60
Zunanja širina	500 mm	500 mm	600 mm
Zunanja globina	565 mm	630 mm	630 mm
Zunanja višina	855 mm	855 mm	855 mm
Moč žarnice	15-25 W		
Grelni element na dnu	1000 W	1000 W	1200 W
Grelni element na vrhu	800 W	800 W	1000 W
Turbo grelni element	-----	1800 W	2200 W
Grelni element žara	1500 W	1500 W	2000 W
Napajalna napetost	220-240V AC/380-415V AC 50/60 Hz		
Grelna plošča 145 mm*	1000 W		
Grelna plošča 180 mm*	1500 W		
Hitra grelna plošča 145 mm*	1500 W		
Hitra grelna plošča 180 mm*	2000 W		



### OPOZORILO!

- **OPOZORILO:** Pri prilagajanju, ki ga bo izvedel pooblaščen servis, je treba upoštevati to preglednico. Proizvajalec ne odgovarja za nobene težave, ki bi nastale zaradi morebitne napačne prilagoditve.
- **OPOZORILO:** Zaradi izboljšanja kakovosti izdelka se tehnične specifikacije lahko spremenijo brez predhodnega opozorila.
- **OPOZORILO:** Vrednosti, ki so priložene aparatu ali pa so v dokumentih, ki so mu priloženi, so laboratorijski odčitki v skladu z ustreznimi standardi. Te vrednosti so lahko drugačne, odvisno od uporabe in pogojev okolja.



# NAMESTITEV PEČICE

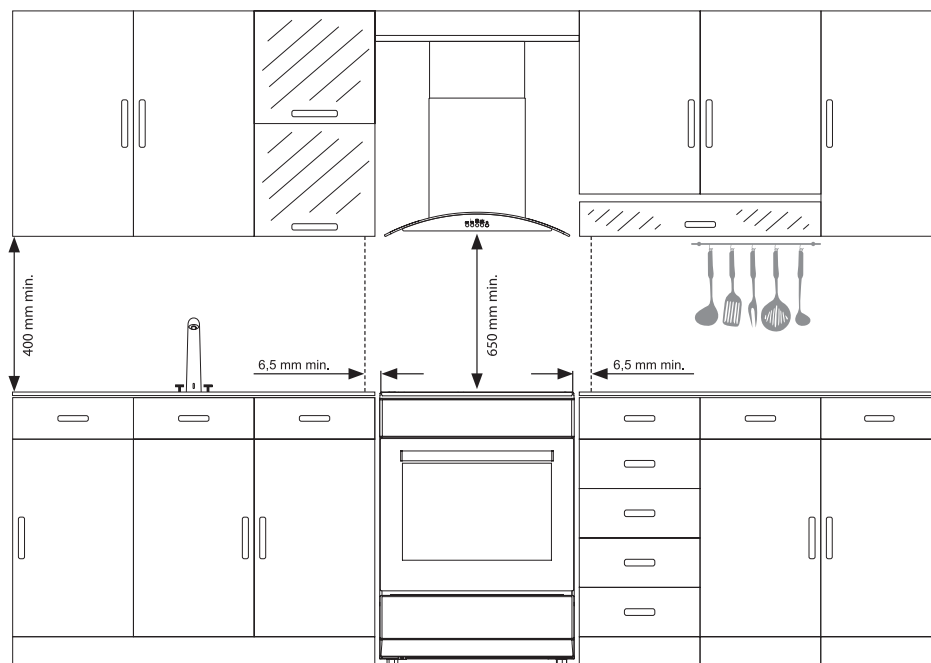
Preverite pravilnost električne napeljave, da boste lahko pri aparatu vzpostavili delovno stanje. Če električna napeljava ni primerna, pokličite električarja in vodoinstalaterja, da uredita napeljavo, kot je to potrebno. Proizvajalec ne odgovarja za škodo, nastalo zaradi del, ki jih izvedejo nepooblaščen osebe.

## ⚠ OPOZORILO!

- **OPOZORILO:** Za pripravo mesta, kamor bo nameščen izdelek, in za pripravo električne napeljave je odgovoren kupec.
- **OPOZORILO:** Med namestitvijo izdelka je treba upoštevati pravila v lokalnih standardih za električne napeljave.
- **OPOZORILO:** Preden aparat namestite, preverite, ali je kakor koli poškodovan. Če je poškodovan, ga ne nameščajte. Poškodovan izdelek predstavlja tveganje za vašo varnost.

## Pravilno mesto za namestitev in pomembna opozorila

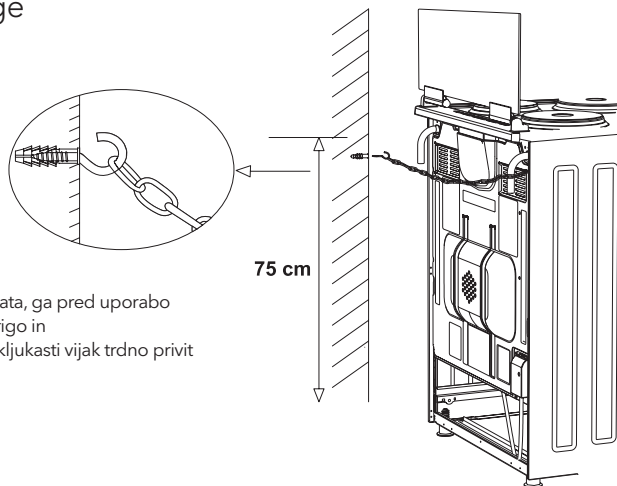
- Nožice aparata ne smejo stati na mehki podlagi, kot so preproge. Kuhinjska tla morajo biti vzdržljiva, da lahko nosijo maso enote in vse kuhinjske posode, ki se uporabljajo v pečici.
- Aparat mora biti od zgornjih površin kugalne plošče oddaljen najmanj 400 mm, od stranskih površin znotraj kuhinjskega pohištva pa najmanj 65 mm.
- Aparat je primeren za uporabo na obeh straneh stene, brez podpore ali brez namestitve v omarico. Če bo nad kugalno ploščo nameščen pokrov, upoštevajte navodila proizvajalca glede višine namestitve (najmanj 650 mm).



## ⚠ OPOZORILO!

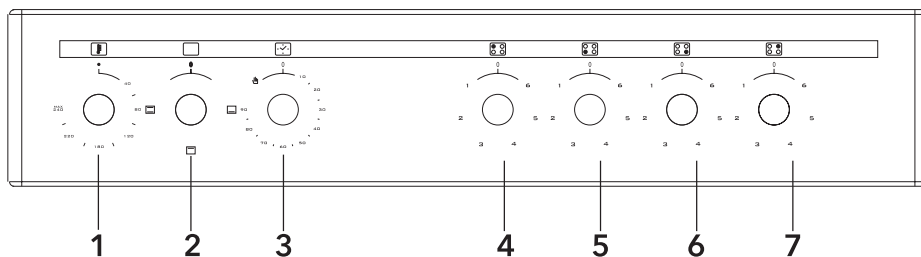
- **OPOZORILO:** Kuhinjsko pohištvo ob aparatu mora biti odporno na toploto.
- **OPOZORILO:** Aparata ne nameščajte ob hladilnike ali naprav za ohlajevanje. Zaradi toplote, ki jo oddaja aparat, se poveča poraba energije naprav za ohlajevanje.
- **OPOZORILO:** Vrat in/ali ročaja aparata ne uporabljajte za prenašanje ali premikanje aparata.

## Prikaz pritrditve verige



Da poskrbite za varno uporabo aparata, ga pred uporabo pričvrstite na steno s priloženima verigo in kljukastim vijakom. Poskrbite, da bo kljukasti vijak trdno privit v steno.

## NADZORNA PLOŠČA

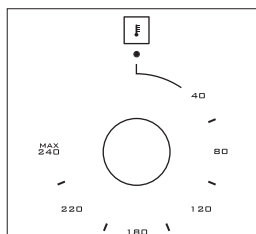


1. Termostat
2. Gumb za izbiro funkcije
3. Mehanski časovnik\*
4. Zadnji levi električni grelnik
5. Sprednji levi električni grelnik
6. Sprednji desni električni grelnik
7. Zadnji desni električni grelnik

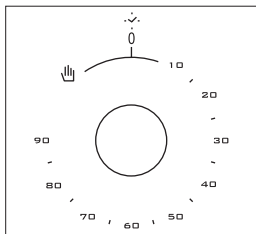


### OPOZORILO!

Zgornja nadzorna plošča je namenjena le prikazu. Upoštevajte nadzorno ploščo na vaši napravi.



**Termostat:** Uporablja se za določanje temperature pečenja pri jedi, ki jo boste spekli v pečici. Ko hrano postavite v pečico, obrnite stikalo, tako da nastavite zeleno temperaturo med 40 °C in 240 °C. Temperature pečenja različnih jedi si oglejte v preglednici pečenja.



**Mehanski časovnik\*:** Uporablja se za določanje časa pečenja v pečici. Ko nastavljeni čas poteče, se napajanje grelnikov izklopi in zasliši se opozorilni signal. Mehanski časovnik je mogoče nastaviti na zeleni čas med 0 in 90 minutami. Za čase pečenja si oglejte preglednice pečenja.

## UPORABA PEČICE

### Uporaba grelnih elementov pečice

1. Ko prvič uporabljate pečico, se bo iz nje širil vonj po grelnih elementih. Da ga odpravite, naj prazna pečica 45-60 minut deluje pri 240 °C.
2. Nadzorni gumb pečice mora biti nastavljen na zeleno vrednost, sicer pečica ne bo delovala.
3. Vrste jedi, časi pečenja in položaji termostata so podani v preglednici pečenja. Vrednosti v preglednici pečenja so značilne vrednosti in so bile pridobljene s testi, ki smo jih izvedli v našem laboratoriju. Najdete lahko različne okuse, ki vam ustrezajo glede na vaše navade v zvezi s pečenjem in uporabo.
4. S pripomočki lahko dosežete, da se piščanec v pečici vrti.
5. Časi pečenja: Rezultati se lahko spreminjajo glede na območno napetost ter materiale z različno kakovostjo, količino in temperaturo.
6. Med pečenju v pečici vrat pečice ne smete pogosto odpirati. V nasprotnem primeru kroženje toplote ne bo enakomerno in rezultati se lahko spremenijo.

### Uporaba žara

1. Ko žar postavite na zgornje vodilo, se hrana na njem ne sme dotikati rešetke.
2. Med pečenjem na žaru lahko predhodno 5 minut ogrevate pečico. Po potrebi hrano obrnite.
3. Hrana mora biti na sredini žara, da bo pretok zraka skozi pečico največji.

#### Obračanje na žaru:

1. Funkcijski gumb nastavite na simbol žara.
2. Nato ga nastavite na zeleno temperaturo žara.

#### Izklop žara:

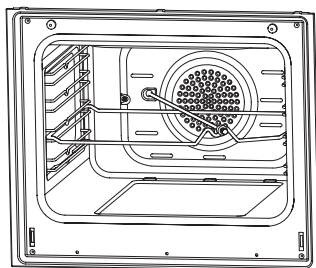
nastavite funkcijski gumb na položaj za izklop.



#### **OPOZORILO!**

Med pečenjem na žaru naj bodo vrata pečice zaprta. (električni žar)

### Pečenje piščanca na ražnju\*



Postavite raženj na okvir. Okvir za raženj pomaknite na zeleno višino v pečici. Pod njega postavite posodo, v katero bo kapljala maščoba. V to posodo dodajte nekaj vode, da jo boste lažje očistili. Z ražnja ne pozabite odstraniti plastičnega dela. Po pečenju na ražnju privijte plastično ročico na raženj in vzemite hrano iz pečice.

## Uporaba grelnih plošč

	Raven 1	Raven 2	Raven 3	Raven 4	Raven 5	Raven 6
80 mm	200 W	250 W	450 W	---	---	---
145 mm	250 W	750 W	1000 W	---	---	---
180 mm	500 W	750 W	1500 W	---	---	---
145 mm rapid	500 W	1000 W	1500 W	---	---	---
180 mm rapid	850 W	1150 W	2000 W	---	---	---
145 mm	95 W	155 W	250 W	400 W	750 W	1000 W
180 mm	115 W	175 W	250 W	600 W	850 W	1500 W
145 mm rapid	135 W	165 W	250 W	500 W	750 W	1500 W
180 mm rapid	175 W	220 W	300 W	850 W	1150 W	2000 W
220 mm	220 W	350 W	560 W	910 W	1460 W	2000 W

1. Električne grelne plošče imajo 6 standardnih ravni temperature (kot je opisano zgoraj).
2. Ko grelno ploščo prvič uporabljate, naj bo 5 minut v položaju 6. Snov na grelni plošči, ki je občutljiva na toploto, bo tako zaradi gretja otrdela.
3. Čim več uporabljajte kozice z ravnim dnom, ki so v celoti v stiku s toploto, tako da boste energijo lahko varčneje izkoristili.



### OPOZORILO!

Ob dolgotrajni uporabi se barva območja kuhalne plošče in robov kuhalne plošče lahko spremeni. Servisiranje ne spada pod garancijo.



Pravilna



Napačna



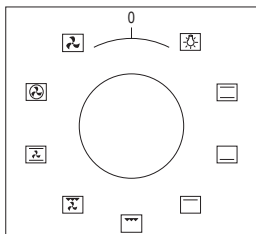
Napačna



Napačna

# VRSTE PROGRAMOV

Modeli: CS5400SW, CS6400SW, CS5400SX, CS6400SX



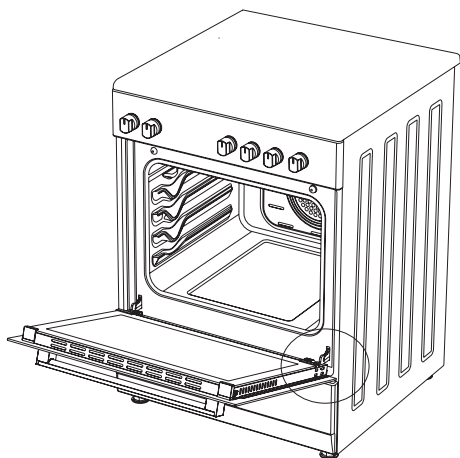
**Funkcijski gumb:** Uporablja se za določanje grelnikov, na katerih se bo pekla hrana v pečici. Vrste programov grelnikov pri tem gumbu in njihove funkcije so opisane spodaj. Nekatere vrste grelnikov in programov, ki vključujejo te grelnike, pri določenih modelih niso na voljo.

	Vrtljivi raženj		Ventilator
	Grelni element na vrhu + na dnu		Turbo grelni element + ventilator
	Žarnica		Grelni element na dnu + na vrhu + ventilator
	Grelni element na dnu + ventilator		Grelni element žara + ventilator
	Grelni element žara		Gorilnik za žar/grelni element žara
	Grelni element žara + žarnica		Grelni element na vrhu
	Električni časovnik		Gorilnik za pečico/grelni element na dnu

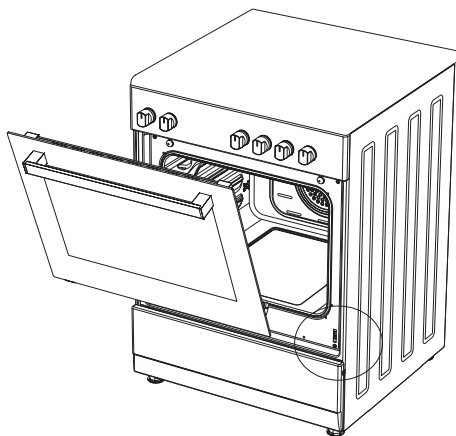
## OPOZORILO!

Nekatere vrste grelnikov in programov, ki vključujejo te grelnike, pri določenih modelih niso na voljo.

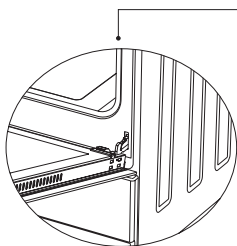
# NAMESTITEV VRAT PEČICE



Slika 1

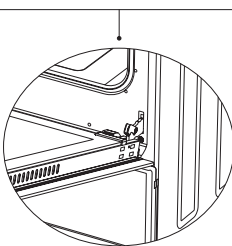


Slika 2



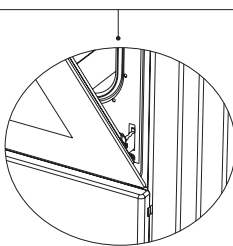
Slika 1.1

Vrata pečice do konca odprite, tako da jih povlečete k sebi. Nato jih odpahnite, tako da zaklep tečajev s pomočjo izvijača povlečete navzgor, kot je prikazano na sliki 1.1.



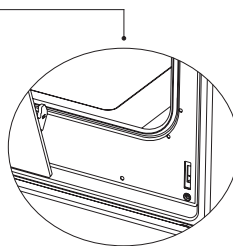
Slika 1.2

Zaklep tečaja povlecite tako, da bo odprt pod najširšim kotom, kot prikazuje slika 1.2. Oba tečaja, s katerima so vrata pečice pritrjena na pečico, povlecite v enak položaj.



Slika 2.1

Nato zaprite vrata pečice, tako da se naslanjajo na zaklep tečajev, kot prikazuje slika 2.1.



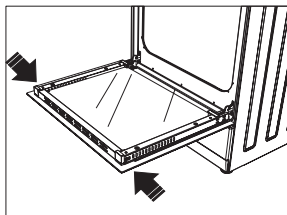
Slika 2.2

Da odstranite vrata pečice, jih z obema rokama povlecite navzgor, ko so blizu zaprtega položaja, kot prikazuje slika 2.2.

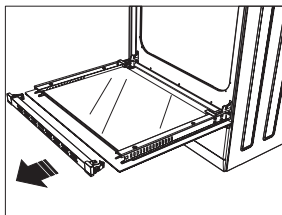
Da znova namestite vrata pečice, izvedite zgornje korake v obratnem vrstnem redu

## Čiščenje in vzdrževanje stekla na sprednjih vratih pečice

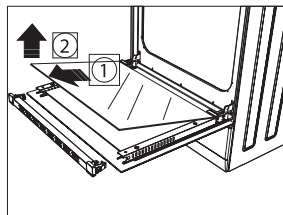
Odstranite profil, tako da pritisnete plastične zapaha na levi in desni strani, kot prikazuje slika 3, in povlečete profil proti sebi, kot prikazuje slika 4. Nato odstranite notranje steklo, kot prikazuje slika 5. Po potrebi lahko na enak način odstranite srednje steklo. Po koncu čiščenja in vzdrževanja ponovno namestite stekla in profil v obratnem vrstnem redu. Poskrbite, da bo profil pravilno nameščen na svoje mesto.



Slika 3



Slika 4



Slika 5

### Katalitične stene\*

Katalitične stene so pod vodili na levi in desni strani odprte. Uničujejo neprijetne vonjave in pripomorejo k kar najboljšemu delovanju pečice. Vpijajo tudi ostanke olja in pečico med delovanjem čistijo.

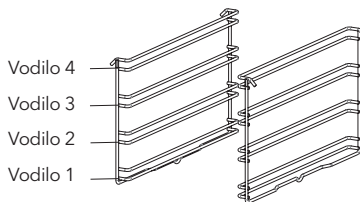
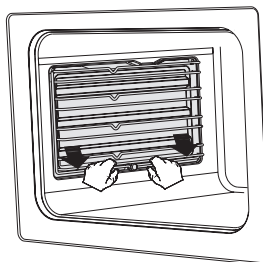
### Odstranjevanje katalitičnih sten

Da odstranite katalitične stene, morate izvleči vodila. Takoj ko izvlečete vodila, se bodo katalitične stene samodejno sprostile. Katalitične stene je treba po 2-3 letih zamenjati.

### Položaj vodil

Pomembno je, da žično rešetko pravilno postavite v pečico. Žična vodila naj se ne dotikajo zadnje stene pečice. Položaji vodil so prikazani na naslednji sliki. Na zgornja in spodnja žična vodila lahko postavite globoki ali standardni pladenj.

Slika 6



Vodilo 4

Vodilo 3

Vodilo 2

Vodilo 1

### Nameščanje in odstranjevanje žičnih vodil

Da odstranite žična vodila, pritisnite sponke, na sliki označene s puščicami; z mesta namestitve najprej odstranite spodnjo stran in nato zgornjo. Da namestite žična vodila, obrnite vrstni red postopka pri odstranjevanju.

### Menjava žarnice pečice



**OPOZORILO!**

Preden zamenjate žarnico, poskrbite, da bo tokokrog aparata odprt, da preprečite električni udar. (Odprt tokokrog pomeni, da je napajanje izklopljeno.) Najprej odklopite napajanje aparata in se prepričajte, da je aparat hladen.

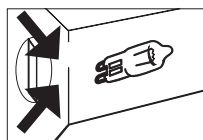
Odstranite zaščitno steklo, tako da ga obrnete, kot je prikazano na sliki na levi strani. Če ga težko obračate, si lahko pomagata s plastičnimi rokavicami.

Nato odstranite žarnico, tako da jo obrnete; namestite novo žarnico z enakimi specifikacijami.

Znova namestite zaščitno steklo, priključite napajalni kabel aparata v električno vtičnico, in dokončajte zamenjavo. Zdalj pečico lahko uporabljate.

**Žarnica vrste G9**

220-240 V, AC 15-25 W



Slika 8

**Žarnica vrste E14**

220-240 V, AC 15 W



Slika 9

**Uporaba pločevinastega deflektorja za žar\***

1. Varnostna plošča je zasnovana za zaščito nadzorne plošče in gumbov, ko je pečica v načinu žara. (Slika 9.)
2. To varnostno ploščo uporabite, da preprečite poškodbe nadzorne plošče in gumbov, ki bi nastale zaradi toplote, ko je pečica v načinu žara.

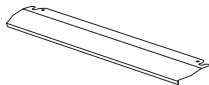
**! OPOZORILO!**

Deli, ki so dostopni, so lahko vroči. Majhni otroci naj se ne približujejo aparatu.

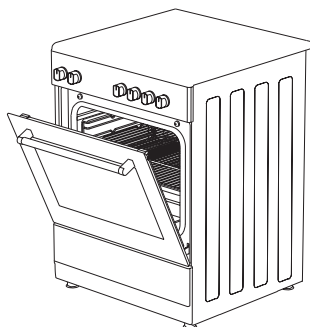
3. Varnostno ploščo postavite pod nadzorno ploščo, tako da odprete sprednja steklena vrata pečice. (Slika 10.)
4. Nato varnostno ploščo pritrdite med pečico in sprednja vrata, tako da vrata nežno zaprete. (Slika 11.)
5. Pri pečenju v načinu žara je pomembno, da so vrata pod določenim kotom odprta.
6. Varnostna plošča omogoča popolne pogoje peke ter hkrati ščiti nadzorno ploščo in gumbe.

**! OPOZORILO!**

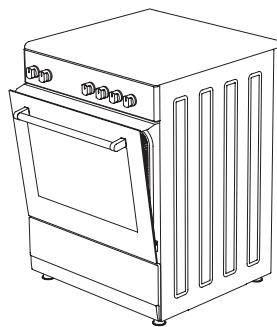
Če ima pečica možnost „delovanja z zaprtim žarom“ s termostatom, lahko vrata pečice med delovanjem ostanejo zaprta; v tem primeru pločevinasti deflektor za žar ne bo potreben.



Slika 9



Slika 10



Slika 11



# ODPRAVLJANJE TEŽAV

Preden kličete servis, lahko težave z izdelkom rešite tako, da preverite naslednje točke.

## Kontrolne točke

Če se je pri pečici pojavila težava, najprej preverite spodnjo preglednico in preizkusite predloge.

Težava	Možni vzrok	Kaj lahko storite?
Pečica ne deluje.	Napajanje ni na voljo.	Preverite električno napajanje.
Pečica med peko preneha delovati.	Iz vtičnice uhaja vtič.	Znova priključite vtič v vtičnico.
Med peko se izklopi.	Predolgo neprekinjeno delovanje.	Po dolgotrajnem delovanju naj se pečica ohladi.
	V stenski vtičnici je več kot en vtičač.	Pri vsaki stenski vtičnici uporabite samo en vtičač.
Vrata pečice se ne odpirajo pravilno.	Med vrata in notranjo odprtino so se zataknili ostanki hrane.	Dobro očistite pečico in skušajte znova odpreti vrata.
Električni udar pri dotiku pečice.	Ni pravilne ozemljitve.	Poskrbite, da bo napajanje pravilno ozemljeno.
	Uporabljena je neozemljena stenska vtičnica.	
Voda kaplja.	Pod določenimi pogoji, odvisnimi od hrane, ki se peče, se lahko tvori voda ali para. Pri tem ne gre za okvaro aparata.	Pečica naj se osuši, nato pa jo do suhega obrišite s kuhinjsko krpo.
Iz razpoke na vratih pečice izhaja para.		
V pečici ostaja voda.		
Med delovanjem izhaja dim	Pri prvi uporabi pečice.	Iz grelnikov izhaja dim. Pri tem ne gre za nepravilno delovanje. Po 2-3 ciklih dima ne bo več.
	Hrana na grelniku.	Pečica naj se ohladi, nato pa z grelnika očistite ostanke hrane.
Med delovanjem pečice se iz nje širi vonj po zažganem ali plastiki	V pečici uporabljate plastične pripomočke ali druge, na toploto neodporne pripomočke.	Pri visokih temperaturah uporabljajte primerne pripomočke iz stekla.
Pečica se ne segreva.	Vrata pečice so odprta.	Vrata zaprite in ponovno začnite peči.
	Kontrolniki pečice niso pravilno nastavljeni.	Preberite razdelek o delovanju pečice in pečico ponastavite.
	Varovalka se je izklopila ali pa se je izklopil odklopnik tokokroga.	Zamenjajte varovalko ali ponastavite odklopnik tokokroga. Če se to pogosto dogaja, pokličite električarja.
Hrana v pečici se ne speče dovolj.	Med peko pogosto odpirate vrata.	Če hrane, ki jo pečete, ni treba obračati, vrat pečice ne odpirajte pogosto. Ko odprete vrata, notranja temperatura pade, kar bo vplivalo na rezultate pečenja.
Notranja svetloba je medla ali pa žarnica ne deluje.	Žarnico med delovanjem pokriva tujek.	Očistite notranjo površino pečice in poskusite znova.
	Žarnica je morda okvarjena.	Žarnico zamenjajte z novo z enakimi specifikacijami.

## PRAVILA ZA ROKOVANJE

1. Vrat in/ali ročaja aparata ne uporabljajte za prenašanje ali premikanje aparata.
2. Med premikanjem in prevozom naj bo aparat v originalni embalaži.
3. Med natovarjanjem/raztovarjanjem in rokovanjem čim bolj pazite na aparat.
4. Med rokovanjem in prevozom poskrbite, da bo embalaža trdno zaprta.
5. Zaščitite pred zunanjimi dejavniki, (kot je vlaga, voda itd.), ki lahko poškodujejo embalažo.
6. Med rokovanjem in transportom pazite, da se aparat ne bo poškodoval zaradi udarcev, trkov, padcev itd., med delovanjem pa pazite, da ga ne boste zlomili ali deformirali.

## Priporočila za varčevanje z energijo

Z naslednjimi napotki boste izdelek uporabljali ekološko in ekonomično.

1. Uporabljajte temne in emajlirane posode, ki v pečici bolje prevajajo toploto.
2. Če je v receptu, po katerem pečete, navedeno, je treba pečico predhodno ogreti, to storite.
3. Med peko vrat ne odpirajte pogosto.
4. V pečici ne skušajte peči več jedi naenkrat. Hkrati lahko pečete tako, da na žično vodilo postavite dve posodi.
5. Več jedi pečite eno za drugo. Tako se toplota iz pečice ne bo izgubila.
6. Nekaj minut pred iztekom časa pečenja odklopite pečico. Pri tem vrat pečice ne odpirajte.
7. Zamrznjeno hrano pred pečenjem odmrznite.

## OKOLJU PRIJAZNO ODSTRANJEVANJE



Embalažo odstranite na okolju prijazen način.

Ta naprava je označena v skladu z evropsko direktivo 2012/19/EU v zvezi z uporabljenimi električnimi in elektronskimi aparati (direktivo o odpadni električni in elektronski opremi (OEEO)). Smernica določa okvir za vračilo in recikliranje uporabljenih aparatov, kot je ustrezno po celotni EU.

## INFORMACIJE O EMBALAŽI

Materiali za embalažo izdelka so proizvedeni iz materialov, ki jih je mogoče reciklirati, v skladu z našimi nacionalnimi okoljskimi predpisi. Embalaže ne odlagajte skupaj z gospodinjskimi in drugimi odpadki. Odpeljite jo na zbirne točke za embalažo, ki jih določijo lokalne oblasti.

Dragi korisniče,

Preporučujemo da pažljivo pročitate korisničko uputstvo pre upotrebe proizvoda i da ga uvek držite pri ruci.

### NAPOMENA

Ovo uputstvo za upotrebu predviđeno je za više modela. Neke od navedenih karakteristika možda neće biti dostupne za vaš uređaj.

Svi naši uređaji namenjeni su samo za kućnu upotrebu i nisu prikladni za komercijalnu upotrebu.

Proizvodi označeni zvezdicom (\*) su opcioni.

### U skladu sa propisima o odlaganju električnog i elektronskog otpada.

## VAŽNA UPOZORENJA

- Instalaciju i popravku uvek treba da obavlja **OVLAŠĆENI SERVIS**. Proizvođač nije odgovoran za radove koje su obavila neovlašćena lica.
- Pažljivo pročitate uputstvo za upotrebu. Samo tako možete koristiti uređaj na bezbedan i pravilan način.
- Šporetom je neophodno rukovati u skladu s uputstvom za upotrebu.
- Udaljite decu mlađu od 8 godina i kućne ljubimce od šporeta, kada je uključen.
- UPOZORENJE: Dostupni delovi mogu biti vrući tokom korišćenja grila. Držati van domašaja dece.**
- UPOZORENJE: Opasnost od požara; ne odlažite predmete na ploču za kuvanje.**
- UPOZORENJE: Uređaj i dostupni delovi se zagrevaju tokom rada.**
- Uslovi instalacije ovog uređaja navedeni su na etiketi (ili na pločici sa podacima).
- Dostupni delovi se zagrevaju prilikom korišćenja grila. Držati van domašaja dece.
- UPOZORENJE: Ovaj uređaj je namenjen za kuvanje. Ne sme se koristiti za druge namene, kao što je grejanje prostorije.**
- Za čišćenje uređaja nemojte koristiti paročistače.
- Proverite da li su vrata rerne potpuno zatvorena nakon što stavite hranu u nju.
- NIKADA nemojte pokušavati da vodom ugasite vatru. Samo isključite napajanje uređaja i prekritje plamen poklopcem ili tkaninom otpornom na vatru.
- Ukoliko deca mlađa od 8 godina nisu pod stalnim nadzorom, držati ih van domašaja uređaja.
- Izbegavajte dodirivanje grejača.
- OPREZ: Proces kuvanja treba nadgledati. Uvek nadgledajte proces kuvanja!
- Ovaj uređaj mogu koristiti deca starija od 8 godina, osobe sa psihičkim, čulnim ili mentalnim problemima ili osobe sa nedostatkom iskustva i znanja, ukoliko se obezbedi nadzor ili pruže informacije u vezi sa opasnostima.
- Ovaj uređaj je dizajniran isključivo za kućnu upotrebu.
- Deca ne smeju da se igraju sa uređajem. Čišćenje ili održavanje uređaja ne smeju da obavljaju deca, osim ako su starija od 8 godina i pod nadzorom odraslih.
- Uređaj i kabl za napajanje držite van domašaja dece mlađe od 8 godina.
- Zavese, til, papir ili druge zapaljive materijale sklonite dalje od uređaja pre njegovog korišćenja. Ne stavljajte zapaljive materijale na uređaj ili unutar njega.
- Držite kanale za ventilaciju otvorene.
- Uređaj nije pogodan za korišćenje sa eksternim tajmerom ili posebnim sistemom za daljinsko upravljanje.
- Ne zagrevajte zatvorene konzerve i staklene tegle. Pritisak može da dovede do eksplozije posude.
- Ručka na remi nije predviđena za sušenje krpa. Nemojte kačiti krpe i slično na ručku za otvaranje/zatvaranje rerne.
- Plebove, tanjire ili aluminijumske folije ne postavljajte direktno na šporet. Akumulirana toplota može da ošteti kućište šporeta.
- Prilikom stavljanja ili vađenja hrane iz rerne obavezno koristite rukavice za rernu otporne na toplotu.
- Ne koristite proizvod kada ste pod uticajem određenih lekova i/ili alkohola, jer to može uticati na vašu sposobnost rasuđivanja.
- Budite pažljivi kada koristite alkohol za pripremu hrane. Alkohol će ispariti na visokim temperaturama i može izazvati požar ako dođe u dodir sa vrućim površinama.
- Nakon svake upotrebe proverite da li je uređaj isključen.
- Ako je uređaj neispravan ili ima vidljivo oštećenje, nemojte rukovati njime.
- Ne dodirujte utikač mokrim rukama. Ne vucite kabl da biste ga isključili, uvek pridržite utikač.

33. Nemojte koristiti uređaj sa skinutim ili polomljenim staklom prednjih vrata.
34. Stavite papir za pečenje zajedno sa hranom direktno u prethodno zagrejanu rernu ili na dodatak za rernu (pleh, gril, itd.).
35. Nemojte stavljati na uređaj predmete koje deca mogu da dohvate.
36. Važno je da pravilno postavite gril-rešetku i pleh na žičane police i/ili da pravilno postavite pleh na policu. Postavite gril ili pleh između dve šine i proverite da li je stabilan pre nego što na njega stavite hranu.
37. Da biste izbegli rizik od dodirivanja grejača rerne, uklonite suvišne delove papira za pečenje koji vire iz dodatka za rernu ili posude.
38. Nikada nemojte koristiti višu temperaturu od maksimalne koja je navedena na pakovanju papira za pečenje. Ne postavljajte papir za pečenje na dno rerne.
39. Kada su vrata rerne otvorena, ne postavljajte teške predmete na njih i nemojte dozvoliti deci da sede na vratima. Možete izazvati prevrtanje šporeta ili oštećenje šarki na vratima.
40. Ambalažni materijali su opasni za decu. Ambalažne materijale držite van domašaja dece.
41. Nemojte koristiti abrazivna sredstva ili oštre metalne žice za čišćenje stakla, jer ogrebotine koje se javljaju na površini stakla vrata mogu izazvati pucanje stakla.
42. Ne postavljajte uređaj na površine prekrivene tepisima. Električni delovi će se pregrejati usled nedostatka ventilacije sa donje strane. To će dovesti do kvara uređaja.
43. Nemojte udarati staklene površine vitrokeramičkih ploča metalnim predmetima, jer se tako mogu oštetiti. To može izazvati električni udar.
44. Korisnik ne sme samostalno da popravlja šporet.
45. Hrana može da se prospje u slučaju da se postolje šporeta demontira ili polomi, budite pažljivi. Može doći do fizičkih povreda.
46. Tokom upotrebe, unutrašnje i spoljašnje površine šporeta se zagrevaju. Kada otvorite vrata rerne, posuđete se korak unazad da biste izbegli vruću paru koja izlazi iz pećnice. Postoji rizik od opekotina!
47. Poklopac šporeta može da se zatvori i onda posuđe sa ringle može da se prevrne. Zakoračite unazad da biste izbegli da se izgorite na vruću hranu. Postoji rizik od opekotina!
48. Ne ostavljajte teške predmete na vratima rerne kada su otvorena, jer postoji rizik od prevrtanja.
49. Korisnik ne sme da skida grejače tokom čišćenja. To može izazvati električni udar.
50. Ne postavljajte metalno posuđe, kao što su nož, viljuška i kašika na površinu uređaja, jer će se i oni zagrejati.
51. Ne uklanjajte prekidače za paljenje sa uređaja. U suprotnom, možete pristupiti električnim kablovima pod naponom. To može izazvati električni udar.
52. Napajanje šporeta može se isključiti tokom bilo kakvih građevinskih radova u kući. Nakon završetka radova, ponovno povezivanje mora da obavi ovlašćeni servis.
53. Da biste sprečili pregrevanje, uređaj ne sme biti instaliran iza dekorativne maske.
54. Isključite uređaj pre uklanjanja zaštitnih elemenata. Nakon čišćenja, instalirajte zaštitne elemente u skladu sa uputstvima.
55. Tačka pričvršćivanja kabla mora biti zaštićena.
56. **UPOZORENJE: Nemojte koristiti rernu i gorionike grila u isto vreme.**
57. Nemojte pripremati hranu direktno na plehu/ žičanoj rešetki. Stavite hranu u ili na prikladnu posudu pre nego što je stavite u rernu.
58. Vrele površine ostavite da se ohlade pre nego što stavite poklopac.
59. **OPREZ: Ako je staklo na rerni razbijeno, odmah isključite sve grejače i aparat iz izvora napajanja, ne dodirujte površinu aparata i ne upotrebljavajte aparat.**

## Bezbednost pri upotrebi na struju

1. Uključite uređaj u uzemljenu utičnicu zaštićenu osiguračem u skladu sa vrednostima navedenim u tabeli tehničkih specifikacija.
2. Neka ovlašćeni električar postavi opremu za uzemljenje. Naša kompanija neće biti odgovorna za oštećenja koja će nastati usled upotrebe proizvoda bez uzemljenja u skladu sa lokalnim propisima.
3. Prekidači osigurača se postavljaju tako da krajnji korisnik može doći do njih kada se šporet instalira.
4. Kabl za napajanje (kabl sa utikačem) ne sme da dođe u dodir sa vrućim delovima uređaja.
5. Ukoliko je kabl za napajanje (kabl sa utikačem) oštećen, zamenite ga proizvođač, ovlašćeni serviser ili kvalifikovano osoblje kako bi se sprečile situacije opasne po život.
6. Uređaj se ne sme čistiti prskanjem ili sipanjem vode na njega! Postoji rizik od električnog udara.
7. **UPOZORENJE:** Da biste izbegli električni udar, uverite se da je strujno kolo uređaja otvoreno pre zamene lampice.

8. UPOZORENJE: Pre nego što pristupite terminalima, odvojite sve priključke kola za napajanje.
9. UPOZORENJE: Ukoliko je površina napukla, isključite uređaj da biste izbegli opasnost od električnog udara.
10. Nemojte koristiti prekinute ili oštećene kablove ili produžne kablove, osim originalnog kabl.
11. Uverite se da u utičnici, gde je priključen uređaj, nema tečnosti ili vlage.
12. Površina zadnje strane šporeta takođe se zagreva kada šporet radi. Električni priključci ne smeju da dodiruju površinu zadnje strane šporeta, jer se u suprotnom oni mogu oštetiti.
13. Ne zatežite kabl za povezivanje preko vrata rerne i ne sprovodite ga preko vrućih površina. Ako se kabl otopi, može doći do kratkog spoja, pa čak i do požara.
14. Isključite uređaj prilikom instalacije, održavanja, čišćenja i popravke.
15. Ako je kabl za napajanje oštećen, proizvođač ili serviser ili jednako kvalifikovano osoblje moraju zameniti takav kabl da bi se izbegle opasne situacije.
16. Uverite se da je utikač čvrsto umetnut u zidnu utičnicu da biste izbegli varnice.
17. Nemojte koristiti paročistače za čišćenje uređaja, jer može doći do električnog udara.
18. Za instalaciju je neophodan prekidač koji može u potpunosti isključiti napajanje. Odvajanje od napajanja se mora obezbediti pomoću prekidača ili integrisanog osigurača instaliranog na fiksnom napajanju u skladu sa građevinskim propisom.
19. Fiksni priključci moraju biti priključeni na napajanje koje omogućava potpuno odvajanje. Za uređaje sa prenaponskom kategorijom ispod III, uređaj za isključivanje mora biti priključen na fiksno napajanje u skladu sa propisima za instalaciju.

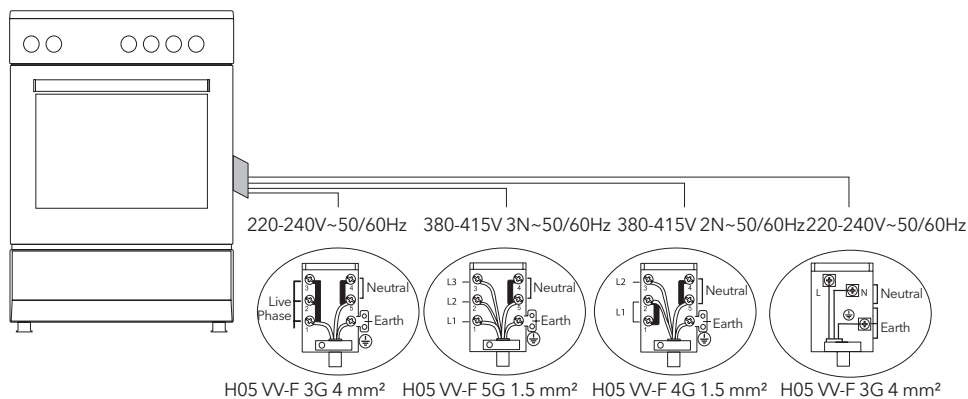
## Namena

1. Ovaj proizvod je dizajniran za kućnu upotrebu. Komercijalna upotreba uređaja nije dozvoljena.
2. Ovaj uređaj može da se koristi samo u svrhe pripreme hrane. Ne sme se koristiti u druge svrhe, kao što je grejanje prostorije.
3. Ovaj uređaj ne sme da se koristi za zagrevanje ploča ispod grila, za sušenje tkanina ili peškira vešanjem o ručku rerne ili u svrhu grejanja.
4. Proizvođač ne preuzima odgovornost za bilo kakvu štetu zbog zloupotrebe ili nepravilne upotrebe.
5. Rerna šporeta može da se koristi za odmrzavanje, pečenje, prženje i grilovanje hrane.

## Električni priključak

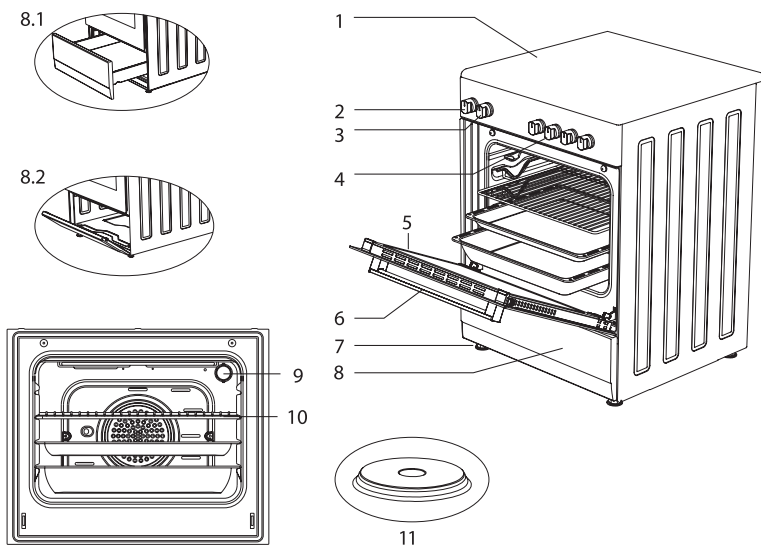
1. Vašem šporetu je neophodan osigurač od 16 ili 32 ampera u skladu sa napajanjem uređaja. Ako je neophodno, preporučuje se da instalaciju obavi kvalifikovani električar.
2. Vaš šporet je podešen u skladu sa električnim napajanjem 220–240V AC/380–415V AC 50/60Hz. Ako se električna mreža razlikuje od navedene vrednosti, kontaktirajte sa ovlašćenim servisom.
3. Električni priključak uređaja treba izvesti samo pomoću utičnica sa instaliranim sistemom uzemljenja u skladu sa propisima. Ako na mestu gde će biti postavljen šporet nema utičnice sa sistemom uzemljenja, odmah kontaktirajte sa kvalifikovanim električarom. Proizvođač neće biti odgovoran za oštećenja nastala usled povezivanja uređaja na utičnicu bez sistema za uzemljenje. Ako su krajevi kabla električnog priključka otvoreni, u skladu sa tipom uređaja, instalirajte prekidač pomoću koga možete odvojiti sve krajeve u slučaju povezivanja na mrežni kabl ili odvajanja od njega.
4. Ako je vaš kabl za električno napajanje neispravan, odmah mora da ga zameni ovlašćeni servis ili kvalifikovani električar radi izbegavanja opasnosti.
5. Električni kabl ne sme dodirivati vruće delove uređaja.
6. Električni kabl ne sme dodirivati vruće delove uređaja.
7. Prilikom postavljanja šporeta, uverite se da je u nivou kuhinjske radne ploče. Ako je neophodno, podešavanjem postolja prilagodite ga nivou kuhinjske radne ploče.

## Šema električnog priključka



## OPIS UREĐAJA

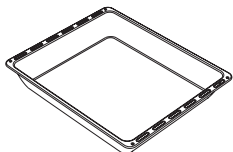
Models: CS5400SW, CS6400SW, CS5400SX, CS6400SX



1. Gornja staklena ploča
2. Dugme termostata
3. Komandno dugme za rernu
4. Regulatori za vitrokeramičke ploče za kuvanje
5. Vrata rerne
6. Ručka
7. Plastična nožica

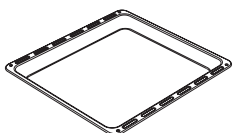
8. Vrata donje fioke
- 8.1. Fioka
- 8.2. Preklopna vrata
9. Lampa
10. Roštilj
11. Rešo (145 mm ili 185 mm)

## Dodatna oprema



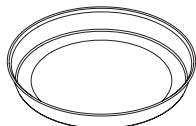
### Duboki pleh

Koristi se za kolače, prženje u dubokom ulju i pripremu čorbi. Kada se kolači, smrznuta hrana i meso pripremaju na samoj gril-rešetki, može da se koristi kao pleh za prikupljanje tečnosti.



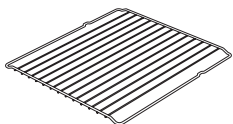
### Pleh / Stakleni pleh\*

Koristi se za peciva (kolačiće, keksiće, itd.) i smrznutu hranu.



### Okrugli pleh\*

Koristi se za peciva i smrznutu hranu.



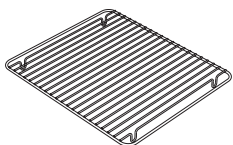
### Gril-rešetka

Koristi se za prženje i/ili postavljanje hrane za pečenje na određenu visinu u remini.



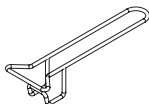
### Teleskopska šina\*

Pomoću teleskopskih šina, plehovi i/ili žičane police mogu se lako postavljati ili uklanjati.



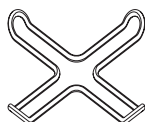
### Rešetka u plehu\*

Namirnice koje mogu da se zalepe tokom pečenja, kao što je junetina, postavljaju se na rešetku u plehu. Time se sprečava lepljenje namirnica.



### Ručka pleha\*

Koristi se za hvatanje plehova.



### Postolje za džezvu \*

Može se koristiti kao postolje za džezvu.

## Tehničke karakteristike vašeg šporeta

Specifikacije	50x55	50x60	60x60
Spoljašnja širina	500 mm	500 mm	600 mm
Spoljašnja dužina	565 mm	630 mm	630 mm
Spoljašnja visina	855 mm	855 mm	855 mm
Snaga lampe	15-25 W		
Donji grejač	1000 W	1000 W	1200 W
Gornji grejač	800 W	800 W	1000 W
Turbo grejač	-----	1800 W	2200 W
Grejač za gril	1500 W	1500 W	2000 W
Napajanje	220-240V AC/380-415V AC 50/60 Hz		
Ringla 145 mm *	1000 W		
Ringla 180 mm *	1500 W		
Brza ringla 145 mm *	1500 W		
Brza ringla 180 mm *	2000 W		



### UPOZORENJE

- Za izmene koje obavlja ovlašćeni servis, obavezno uzeti u obzir ovu tabelu. Proizvođač neće snositi odgovornost za bilo kakve probleme nastale usled pogrešne izmene.
- U cilju poboljšanja kvaliteta proizvoda, tehničke specifikacije se mogu promeniti bez prethodnog obaveštenja.
- Vrednosti koje se isporučuju sa uređajem ili njegovom pratećom dokumentacijom dobijene su laboratorijskim merenjima u skladu sa odgovarajućim standardima. Ove vrednosti mogu da se razlikuju u zavisnosti od načina korišćenja i okruženja.



# INSTALACIJA VAŠEG ŠPORETA

Proverite da li je električna instalacija odgovarajuća za uključivanje uređaja. Ako električna instalacija nije odgovarajuća, pozovite električara i vodoinstalatera da bi ih adekvatno postavili. Proizvođač neće snositi odgovornost za oštećenja izazvana aktivnostima neovlašćenih lica.

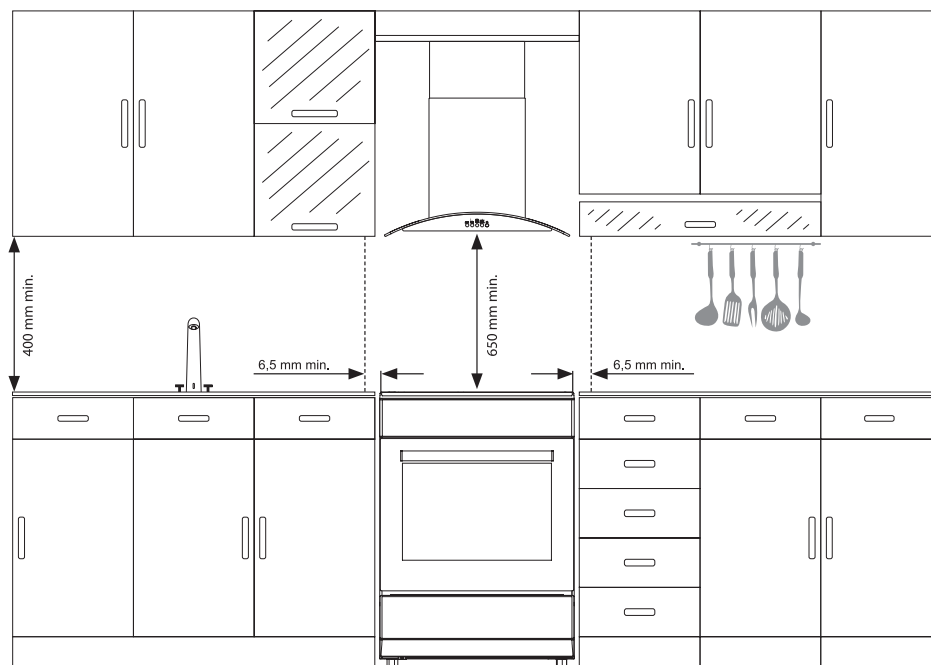


## UPOZORENJE

- **UPOZORENJE:** Odgovornost korisnika je da pripremi lokaciju za postavljanje proizvoda, kao i da pripremi električnu instalaciju.
- **UPOZORENJE:** Prilikom instalacije proizvoda, obavezno se pridržavati lokalnih propisa i standarda o električnim instalacijama.
- **UPOZORENJE:** Pre instalacije proverite da li uređaj ima bilo kakvih oštećenja. Nemojte instalirati proizvod ukoliko je oštećen. Oštećeni proizvodi dovode do rizika vaše bezbednosti.

## Odgovarajuće mesto za instalaciju i važna upozorenja

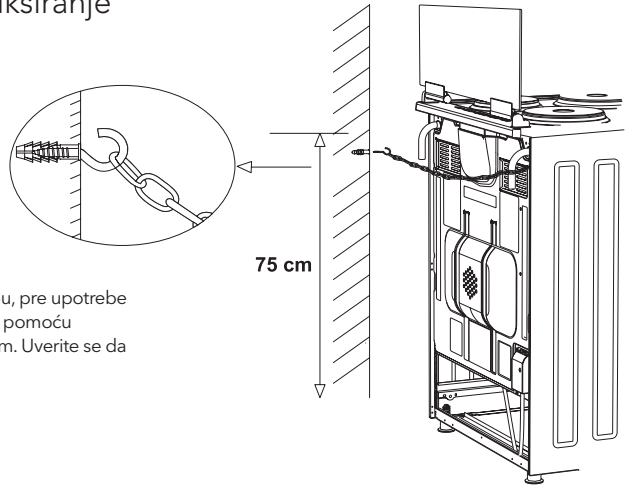
- Nožice uređaja ne smeju da se postavljaju na mekane površine poput tepiha. Kuhinjski pod mora biti izdržljiv kako bi nosio težinu uređaja i drugog posuđa koje se može koristiti na šporetu.
- Za korišćenje uređaja obezbediti minimalno rastojanje od 400 mm od površine visećeg dela, odnosno 65 mm od bočnih stranica kuhinjskih elemenata.
- Uređaj je pogodan za upotrebu sa obe bočne stranice, bez ikakve potpore ili bez ugradnje u kuhinjski element. Ako će hauba ili aspirator biti instalirani iznad šporeta, pratite uputstva proizvođača za visinu ugradnje (min. 650 mm).



## UPOZORENJE

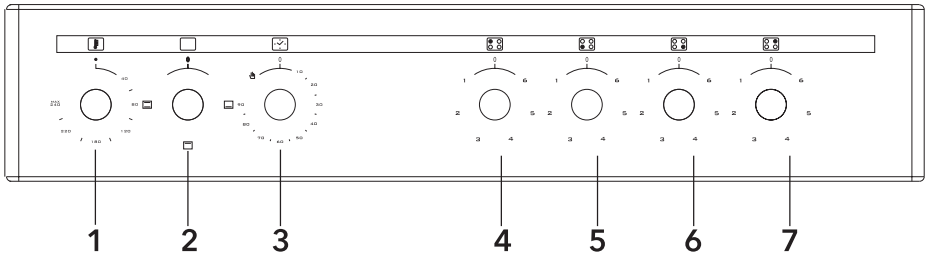
- **UPOZORENJE:** Kuhinjski elementi koji se nalaze u blizini uređaja moraju biti otporni na toplotu.
- **UPOZORENJE:** Nemojte instalirati uređaj pored frižidera ili rashladnih uređaja. Uređaj povećava potrošnju energije rashladnih uređaja.
- **UPOZORENJE:** Nemojte koristiti vrata i/ili ručku šporeta da biste ga nosili ili premeštali.

## Ilustracija lanca za fiksiranje



Da biste obezbedili sigurnu upotrebu, pre upotrebe uverite se da je uređaj fiksiran na zid pomoću isporučenog lanca i zavrtnja sa kukom. Uverite se da je kuka sigurno pričvršćena za zid.

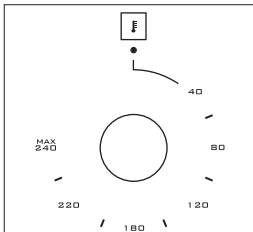
## KONTROLNA TABLA



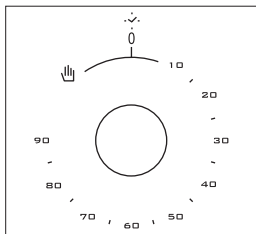
- |                                  |                                    |
|----------------------------------|------------------------------------|
| 1. Termostat                     | 5. Prednji levi električni grejač  |
| 2. Dugme za izbor funkcije       | 6. Prednji desni električni grejač |
| 3. Mehanički tajmer *            | 7. Zadnji desni električni grejač  |
| 4. Zadnji levi električni grejač |                                    |

### UPOZORENJE

Kontrolna tabla na slici iznad služi samo kao ilustracija. Obratite pažnju na kontrolnu tablu na uređaju.



**Termostat:** Koristi se za određivanje temperature kuvanja jela koje se sprema u rešni. Nakon postavljanja namirnica u rešni, okrenite prekidač da biste podesili željenu temperaturu između 40-240 °C. Za temperature kuvanja različitih namirnica, pogledajte tabelu kuvanja.



**Mehanički tajmer\***: Koristi se za određivanje perioda kuvanja u rerni. Kada podešeno vreme istekne, napajanje grejača se isključuje i emituje se zvučni signal upozorenja. Mehanički tajmer može da se podesi na željeni period 0-90 minuta. Za periode kuvanja pogledajte tabele kuvanja.

## KORIŠĆENJE RERNE

### Korišćenje grejača rerne

1. Prilikom prve upotrebe rerne, osetićete se miris zagrevanja grejača. Da biste otklonili taj miris, uključite praznu rernu na 45-60 minuta na temperaturi od 240 °C.
2. Kontrolno dugme rerne treba postaviti na željenu vrednost; u suprotnom rerne neće raditi.
3. Vrste jela, vreme kuvanja i položaji termostata navedeni su u tabeli za kuvanje. Vrednosti navedene u tabeli za kuvanje karakteristične su vrednosti i dobijene su kao rezultat testova obavljenih u laboratorijskim uslovima. Možete pronaći različite ukuse u zavisnosti od vaših navika.
4. Pomoću dodataka možete pripremiti piletinu na ražnju u svojoj rerni.
5. Vreme kuvanja: rezultati se mogu menjati u odnosu na napon i vrste namirnica, količine i temperature.
6. Tokom pečenja u rerni, vrata rerne ne treba često otvarati. U suprotnom, cirkulacija toplote možda neće biti ravnomerna, a rezultati mogu biti drugačiji.

### Korišćenje grila

1. Kada grill postavite na gornju policu, hrana na grilu ne treba da dodiruje rešetku.
2. Pre grilovanja, zagrejte rernu 5 minuta. Ako je potrebno, okrenite hranu.
3. Neophodno je da hrana bude na sredini grila kako bi se postigla maksimalna cirkulacija vazduha u rerni.

#### Uključivanje grila:

1. Postavite dugme na simbol grila.
1. Zatim, podesite željenu temperaturu grila.

#### Isključivanje grila:

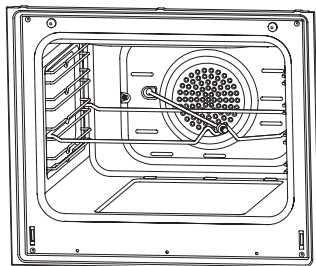
Postavite dugme u režim „isključeno“.



#### UPOZORENJE

Vrata rerne treba da budu zatvorena tokom grilovanja (električni roštilj).

### Upotreba ražnja\*



Stavite ražanj na okvir. Okvir za ražanj postavite na željenu visinu. Posudu za prikupljanje masnoće postavite ispod njega. U posudu za prikupljanje masnoće nalijte vodu radi lakšeg čišćenja. Ne zaboravite da uklonite plastični deo ražnja. Nakon grilovanja, zavrnite plastičnu ručicu na ražanj i izvadite hranu iz rerne.

## Korišćenje ringli

	Jačina 1	Jačina 1	Jačina 1	Jačina 1	Jačina 1	Jačina 1
80 mm	200 W	250 W	450 W	---	---	---
145 mm	250 W	750 W	1000 W	---	---	---
180 mm	500 W	750 W	1500 W	---	---	---
145 mm brza	500 W	1000 W	1500 W	---	---	---
180 mm brza	850 W	1150 W	2000 W	---	---	---
145 mm	95 W	155 W	250 W	400 W	750 W	1000 W
180 mm	115 W	175 W	250 W	600 W	850 W	1500 W
145 mm brza	135 W	165 W	250 W	500 W	750 W	1500 W
180 mm brza	175 W	220 W	300 W	850 W	1150 W	2000 W
220 mm	220 W	350 W	560 W	910 W	1460 W	2000 W

1. Električne ringle imaju 6 standardnih nivoa temperature (kao što je iznad opisano).
2. Prilikom prve upotrebe, uključite električnu ringlu na nivo 6 na 5 minuta. Na ovaj način će sredstvo osetljivo na toplotu sa ringle očvrnuti zagrevanjem.
3. Koristite tiganje sa ravnim dnom koji u potpunosti dolaze u dodir sa toplotom, jer ćete na taj način produktivnije koristiti energiju.

**UPOZORENJE**

Dugotrajnom upotrebom ringli, područje ploče kao i ivice ringli mogu promeniti boju. Servisni zahvat nije predmet garancije.



Pravilno



Nepravilno



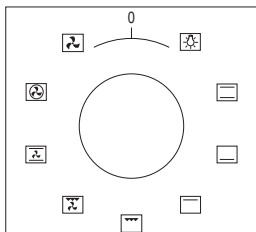
Nepravilno



Nepravilno

# TIPOVI PROGRAMA

Models: CS5400SW, CS6400SW, CS5400SX, CS6400SX



**Dugme za određivanje funkcije:** Koristi se za određivanje grejača koji treba da se koriste za pripremu namirnica u retni. Tipovi programa grejača na ovom dugmetu i njihove funkcije opisani su u nastavku. Svi tipovi grejača i programa koji uključuju ove grejače možda neće biti dostupni na svim modelima.

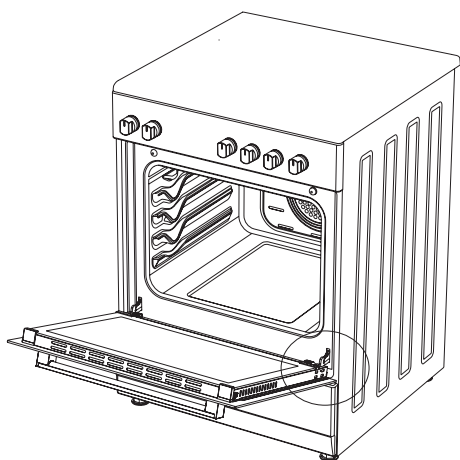
	Ražanj		Ventilator
	Gornji + bočni element za grejanje		Turbo grejač + ventilator
	Lampica		Donji + gornji grejač + ventilator
	Donji grejač + ventilator		Grejač za gril+ventilator
	Grejač za gril		Gorionik za gril / grejač za gril
	Grejač za gril + lampica		Gornji grejač
	Električni tajmer		Gorionik rerne / donji grejač



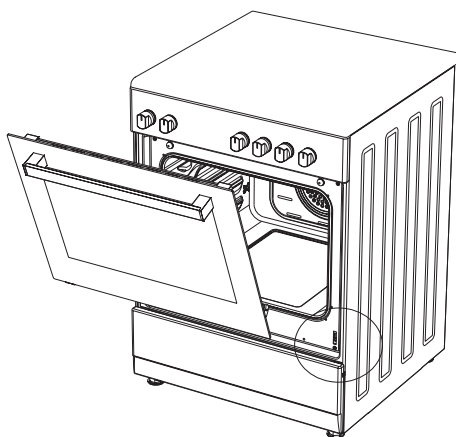
## UPOZORENJE

Svi tipovi grejača i programa koji uključuju ove grejače možda neće biti dostupni na svim modelima.

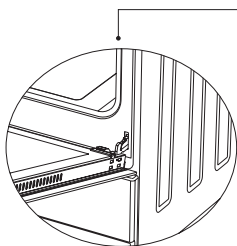
# INSTALACIJA VRATA RERNE



Slika 1

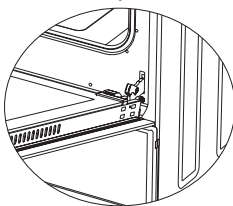


Slika 2



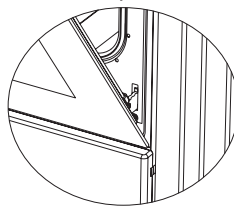
Slika 1.1

Potpuno otvorite vrata rerne tako što ćete ih povući ka sebi. Nakon toga, obavite proces otključavanja tako što ćete šarke povući nagore pomoću odvijača, kao što je prikazano na slici 1.1.



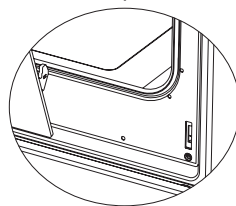
Slika 1.2

Postavite šarke u najširi položaj, kao što je prikazano na slici 1.2. Postavite obe šarke koje povezuju vrata rerne i šporet u isti položaj.



Slika 2.1

Nakon toga, zatvorite vrata rerne tako da se oslanjaju na šarke, kao što je prikazano na slici 2.1.



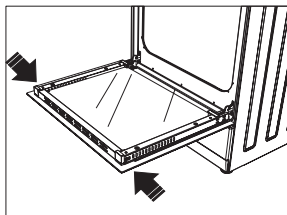
Slika 2.2

Da biste skinuli vrata rerne, povucite ih nagore držeći ih obema rukama, kao što je prikazano na slici 2.2.

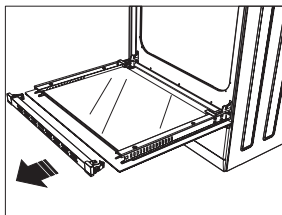
Da biste vratili vrata rerne, obavite prethodno navedene korake obrnutim redosledom.

## Čišćenje i održavanje stakla prednjih vrata rerne

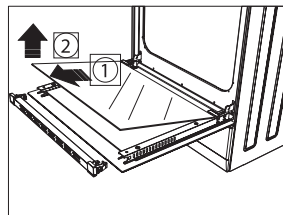
Skinite profil tako što ćete pritisnuti plastične reze sa leve i sa desne strane, kao što je prikazano na slici 3, a zatim povucite profil prema sebi, kao što je prikazano na slici 4. Zatim uklonite unutrašnje staklo (slika 5). Ako je potrebno, na isti način možete ukloniti srednje staklo. Nakon čišćenja i održavanja, ponovo postavite stakla i profil obrnutim redosledom. Proverite da li je profil pravilno pričvršćen.



Slika 3



Slika 4



Slika 5

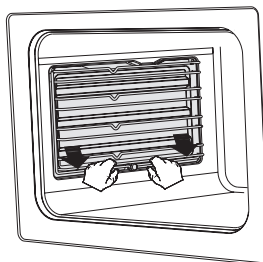
### Katalitički zidovi\*

Katalitički zidovi nalaze se na levoj i desnoj strani šupljina ispod vodica. Katalitički zidovi neutrališu neprijatne mirise i doprinose postizanju najboljih karakteristika rerne. Oni, takođe, apsorbiraju ostatke ulja i čiste vašu rernu tokom rada.

### Uklanjanje katalitičkih zidova

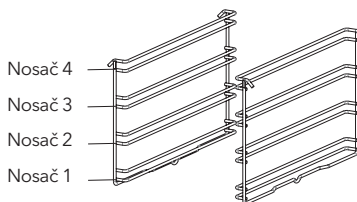
Da biste uklonili katalitičke zidove, morate izvući vodice. Čim izvučete vodice, katalitički zidovi će se automatski osloboditi. Katalitički zidovi se moraju zameniti nakon 2-3 godine.

Slika 6



### Položaji polica

Važno je da pravilno postavite rešetku grila u rernu. Nemojte dozvoliti da žičana polica dodiruje zadnji zid rerne. Položaji polica su prikazani na sledećoj slici. Duboki pleh ili standardni pleh morate postaviti na donjoj ili gornjoj žičanoj polici.



### Postavljanje i uklanjanje žičanih polica

Da biste uklonili žičane police, pritisnite klipse označene strelicama na slici, prvo uklonite donju, a zatim gornju stranu sa mesta postavljanja. Da biste postavili žičane police, proces uklanjanja ponovite obrnutim redosledom.

### Zamena lampe rerne



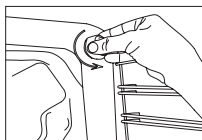
#### UPOZORENJE

Da biste izbegli električni udar, proverite da li je strujno kolo uređaja otvoreno pre zamene lampe. (Otvoreno kolo znači da je napajanje isključeno.)

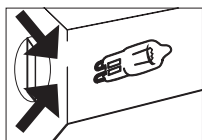
Prvo odvojte napajanje od uređaja i proverite da li se uređaj ohladio.

Skinite zaštitno staklo okretanjem, kao što je prikazano na slici sa leve strane. Ako imate poteškoća prilikom okretanja, pomoći će vam korišćenje plastičnih rukavica.

Zatim, skinite lampu odvijanjem i instalirajte novu lampu sa istim specifikacijama. Ponovo postavite zaštitno staklo, priključite kabl za napajanje uređaja u električnu utičnicu i završite sa zamenom. Sada možete koristiti svoju rernu.

**Lampa tipa G9**

220-240 V, AC 15-25 W



Slika 7

**Lampa tipa E14**

220-240 V, AC 15 W



Slika 8

**Upotreba limenog deflektora za gril\***

1. Bezbednosna ploča dizajnirana je da zaštiti kontrolnu tablu i dugmad kada je rena u režimu grila. (Slika 9)
2. Koristite ovu bezbednosnu ploču da biste izbegli da toplota ošteti kontrolnu tablu i dugmad kada je rena u režimu grila.

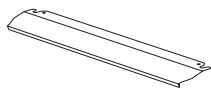
**UPOZORENJE**

Dostupni delovi mogu biti vrući tokom korišćenja grila. Malu decu treba držati dalje od njega.

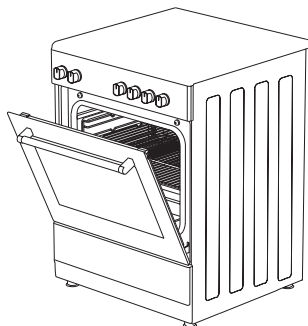
3. Postavite bezbednosnu ploču ispod kontrolne table otvaranjem stakla prednjeg poklopca. (Slika 10)
4. Zatim pričvrstite bezbednosnu ploču između rene i prednjeg poklopca pažljivim zatvaranjem poklopca. (Slika 11)
5. Za kuvanje je važno da poklopac bude otvoren na navedenom rastojanju prilikom kuvanja u režimu grila.
6. Bezbednosna ploča osigurava idealne okolnosti kuvanja dok štiti kontrolnu tablu i dugmad.

**UPOZORENJE**

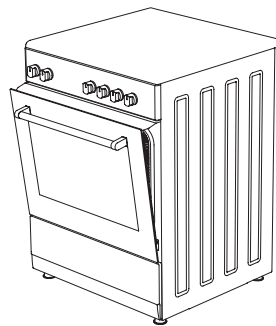
Ako rena ima opciju „funkcija zatvorenog grila“ na termostatu, vrata rene možete zatvoriti u toku rada; u tom slučaju limeni deflektor za gril neće biti neophodan.



Slika 9



Slika 10



Slika 11



# REŠAVANJE PROBLEMA

Možete rešiti probleme koji se javljaju na vašem proizvodu tako što ćete proveriti sledeće tačke pre pozivanja tehničke službe.

## Kontrolne tačke

Ukoliko imate problem sa šporetom, prvo proverite tabelu u nastavku i pokušajte sa ovim predlozima.

Problem	Mogući uzrok	Šta uraditi
Rerna ne radi.	Napajanje nije dostupno.	Proverite napajanje.
Rerna se zaustavlja sa radom tokom kuvanja.	Utikač ispada iz zidne utičnice.	Ponovo postavite utikač u zidnu utičnicu.
Isključuje se tokom kuvanja.	Predug kontinuirani rad.	Pustite da se rerna ohladi nakon dugih ciklusa kuvanja.
	Više od jednog utikača u zidnoj utičnici.	Upotrebljavajte samo jedan utikač za svaku zidnu utičnicu.
Vrata rerne se ne otvaraju ispravno.	Ostaci hrane zaglavljani su između vrata i unutrašnjeg dela.	Očistite rernu dobro i pokušajte ponovo otvoriti vrata.
Električni udar kada dodimate rernu.	Nema ispravnog uzemljenja.	Proverite da li je napajanje ispravno uzemljeno.
	Upotrebljava se neuzemljena zidna utičnica.	
Curi voda.	Voda ili para se mogu stvoriti pod određenim uslovima, zavisno od hrane koja se kuva. Ovo nije problem sa aparatom.	Pustite rernu da se ohladi i obrišite je suvom krpom.
Para izlazi iz pukotine na vratima rerne.		
Voda ostaje u rerni.		
Tokom rada izlazi dim.	Ako prvi put upotrebljavate rernu.	Dim izlazi iz grejača. Ovo nije kvar. Nakon 2-3 ciklusa, neće biti više dima.
	Hrana je na grejaču.	Pustite rernu da se ohladi i očistite ostatke hrane sa grejača.
Kada rerna radi, iz nje izlazi miris paljevine ili plastike.	U unutrašnjosti rerne upotrebljavaju se plastični ili drugi neotporni dodaci.	Na visokim temperaturama upotrebljavajte odgovarajuću dodatnu opremu od stakla.
Rerna se ne zagreva.	Vrata su otvorena.	Zatvorite vrata i pokušajte ponovo.
	Kontrole rerne nisu ispravno podešene.	Pročitajte odeljak o radu rerne i resetujte rernu.
	Osigurač je ispao ili je prekidač struje isključen.	Zamenite osigurač ili resetujte prekidač. Ako se to često ponavlja, pozovite električara.
Rerna ne peče dobro.	Vrata rerne se često otvaraju tokom kuvanja.	Ne otvarajte vrata rerne često ako hrana koju kuvate ne zahteva okretanje. Ako otvarate vrata često, unutrašnja temperatura pada, te će stoga uticati na rezultat kuvanja.
Unutrašnje svetlo je prigušeno ili ne radi.	Strani predmet pokriva lampu tokom kuvanja.	Očistite unutrašnju površinu rerne i ponovo proverite.
	Lampa možda ne valja.	Zamenite lampu sa istim specifikacijama.

## PRAVILA RUKOVANJA

1. Nemojte koristiti vrata i/ili ručku uređaja za njegovo nošenje ili premeštanje.
2. Premeštanje i transport vršite u originalnoj kutiji.
3. Budite veoma pažljivi prilikom utovara/istovara uređaja i rukovanja.
4. Proverite da li je ambalaža čvrsto zatvorena tokom rukovanja i transporta.
5. Zaštitite ambalažu od spoljašnjih faktora (kao što su vlaga, voda, itd.) koji je mogu oštetiti.
6. Vodite računa da se uređaj ne ošteti udarcima, padovima, kapima vode, itd. tokom rukovanja i transporta i vodite računa da ga ne polomite ili deformišete tokom rada.

## PREPORUKE ZA UŠTEDU ENERGIJE

Sledeći detalji će vam pomoći da koristite svoj proizvod ekološki i na ekonomičan način.

1. U rerni koristite tamne i emajlirane posude koje bolje provode toplotu.
2. Dok pripremate namirnice, unapred zagrejte rernu ako recept ili korisničko uputstvo ukazuju na to da je prethodno zagrevanje neophodno.
3. Nemojte često otvarati vrata rerne u toku kuvanja.
4. Pokušajte da ne kuvate više jela u rerni istovremeno. Možete istovremeno kuvati postavljanjem dve posude za kuvanje na žičanu policu.
5. Kuvajte više jela jedno za drugim. Rerna neće izgubiti toplotu.
6. Isključite rernu par minuta pre završetka kuvanja. U tom slučaju, nemojte otvarati vrata rerne.
7. Odmrzните zamrznute namirnice pre kuvanja.

## EKOLOŠKO ODLAGANJE



Odložite na ekološki način.

Ovaj uređaj je označen u skladu sa evropskom Direktivom 2012/19/EU o upotrebi električnih i elektronskih uređaja (otpadna električna i elektronska oprema - WEEE). Smernice određuju okvirni rad za povratak i recikliranje korišćenih uređaja na način primenjiv u celoj EU.

## INFORMACIJE O AMBALAŽI

Ambalaža proizvoda je proizvedena od sekundarnih sirovina u skladu sa našim nacionalnim propisima za zaštitu životne sredine. Ne bacajte ambalažu zajedno sa kućnim ili drugim otpadom. Odnosite je do sabirnih centara za ambalažu, koje su odredile lokalne vlasti.



TESLA

tesla.info

