

TESLA

REFRIGERATOR

RS1300ME

User Manual

ENG

BiH/
CG

FIN

HR

HU

MK

RO

SLO

SRB

SWE



Product images are for illustrative purposes only and may differ from the actual product.

SAFETY WARNINGS

WARNING:



Warning: risk of fire / flammable materials

RECOMMENDATIONS:

- This appliance is intended to be used in household and similar applications such as staff kitchen areas in shops, offices and other working environments; farm houses and by clients in hotels, motels and other residential type environments; bed and breakfast type environments; catering and similar non-retail applications.
- If the supply cord is damaged, it must be replaced by the manufacturer, its service agent or similarly qualified persons in order to avoid a hazard.
- Do not store explosive substances such as aerosol cans with a flammable propellant in this appliance. The appliance has to be unplugged after use and before carrying out user maintenance on the appliance.
- **WARNING:** Keep ventilation openings, in the appliance enclosure or in the built-in structure, clear of obstruction.
- **WARNING:** Do not use mechanical devices or other means to accelerate the defrosting process, other than those recommended by the manufacturer.
- **WARNING:** Do not damage the refrigerant circuit.
- **WARNING:** Do not use electrical appliances inside the food storage compartments of the appliance, unless they are of the type recommended by the manufacturer.
- **WARNING:** Please abandon the refrigerator according to local regulators for its use flammable blowing gas and refrigerant.
- **WARNING:** When positioning the appliance, ensure the supply cord is not trapped or damaged.
- **WARNING:** Do not locate multiple portable socket-outlets or portable power supplies at the rear of the appliance. Do not use extension cords or ungrounded (two prong) adapters.
- **DANGER:** Risk of child entrapment. Before you throw away your old refrigerator or freezer:
 - Take off the doors.
 - Leave the shelves in place so that children may not easily climb inside.
- The refrigerator must be disconnected from the source of electrical supply before attempting the installation of accessory. Refrigerant and cyclopentane foaming material used for the refrigerator are flammable. Therefore, when the refrigerator is scrapped, it shall be kept away from any fire source and be recovered by a special recovering company with corresponding qualification other than be disposed by combustion, so as to prevent damage to the environment or any other harm.
- For EN standard: This appliance can be used by children aged from 8 years and above and persons with reduce physical sensory or mental capabilities or lack of experience and knowledge if they have been given supervision or instruction concerning use of the appliance in a safe way and understand the hazards involved. Children shall not play with the appliance. Cleaning and user maintenance shall not be made by children without supervision.
- For IEC standard: This appliance is not intended for use by persons (including children) with reduced physical, sensory or mental capabilities, or lack of experience and knowledge, unless they have been given supervision or instruction concerning use of the appliance by a person responsible for their safety.
- Children should be supervised to ensure that they do not play with the appliance.

Meaning of safety warning symbols



This is a prohibition symbol. Any non-compliance with instructions marked with this symbol may result in damage to the product or endanger the personal safety of the user.



This is a warning symbol. It is required to operate in strict observance of instructions marked with this symbol; or otherwise damage to the product or personal injury may be caused.



This is a cautioning symbol. Instructions marked with this symbol require special caution. Insufficient caution may result in slight or moderate injury, or damage to the product.

Electricity related warnings

- Do not pull the power cord when pulling the power plug of the refrigerator. Please firmly grasp the plug and pull out it from the socket directly.
- To ensure safe use, do not damage the power cord or use the power cord when it is damaged or worn.
- If noise, odor and smoking happens, please unplug the power plug immediately, and contact the distributor or local service agent.
- Please use a dedicated power socket and the power socket shall not be shared with other electrical appliances. The power plug should be firmly contacted with the socket or else fires might be caused.
- Please ensure that the grounding electrode of the power socket is equipped with a reliable grounding line.
- Please turn off the valve of the leaking gas and then open the doors and windows in case of leakage of gas and other flammable gases. Do not unplug the refrigerator and other electrical appliances considering that spark may cause a fire.
- Do not use electrical appliances on the top of the appliance, unless they are of the type recommended by the manufacturer.

Warnings for using

- Do not arbitrarily disassemble or reconstruct the refrigerator, nor damage the refrigerant circuit; maintenance of the appliance must be conducted by a specialist
- Damaged power cord must be replaced by the manufacturer, its maintenance department or related professionals in order to avoid danger.
- The gaps between refrigerator doors and between doors and refrigerator body are small, be noted not to put your hand in these areas to prevent from squeezing the finger. Please be gentle when close the refrigerator door to avoid falling articles.
- Do not pick foods or containers with wet hands in the freezing chamber when the refrigerator is running, especially metal containers in order to avoid frostbite.
- Please do not put your hands under or behind the appliance to prevent from being hurt
- Do not allow any child to get into or climb the refrigerator; otherwise suffocation or falling injury of the child may be caused.
- Do not place heavy objects on the top of the refrigerator considering that objects may fall when close or open the door, and accidental injuries might be caused.
- Please pull out the plug in case of power failure or cleaning. Do not connect the refrigerator to power supply within five minutes to prevent damages to the compressor due to successive starts.

Warnings for placement

- Do not put flammable, explosive, volatile and highly corrosive items in the refrigerator to prevent damages to the product or fire accidents.
- Do not place flammable items near the refrigerator to avoid fires.
- The refrigerator is intended for household use, such as storage of foods; it shall not be used for other purposes, such as storage of blood, drugs or biological products, etc.

Warnings for energy

1. Refrigerating appliances might not operate consistently (possibility of defrosting of contents or temperature becoming too warm in the frozen food compartment) when sited for an extended period of time below the cold end of the range of temperatures for which the refrigerating appliance is designed.
2. The need to not exceed the storage time(s) recommended by the food manufacturers for any kind of food.
3. The precautions necessary to prevent an undue rise in the temperature of the food while defrosting the refrigerating appliance, such as wrapping the food in several layers of newspaper.
4. The necessity that, for doors or lids fitted with locks and keys, the keys be kept out of the reach of children and not in the vicinity of the refrigerating appliance, in order to prevent children from being locked inside.

Warnings for disposal



Refrigerant and cyclopentane foaming material used for the refrigerator are flammable. Therefore, when the refrigerator is scrapped, it shall be kept away from any fire source and be recovered by a special recovering company with corresponding qualification other than be disposed by combustion, so as to prevent damage to the environment or any other harm.



When the refrigerator is scrapped, disassemble the doors, and remove gasket of door and shelves; put the doors and shelves in a proper place, so as to prevent trapping of any child.



Correct Disposal of this product

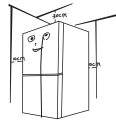
This marking indicates that this product should not be disposed with other household wastes. To prevent possible harm to the environment or human health from uncontrolled waste disposal, recycle it responsibly to promote the sustainable reuse of material resources. To return your used device, please use the return and collection systems or contact the retailer where the product was purchased. They can take this product for environmental safe recycling.



PROPER USE OF REFRIGERATOR

Placement

- Before use, remove all packing materials, including bottom cushions, foam pads and tapes inside of the refrigerator; tear off the protective film on the doors and the refrigerator body.
- Please leave the packing materials and other parts out of the reach of children to prevent from risk of suffocation.
- Keep away from heat and avoid direct sunlight. Do not place the freezer in moist or watery places to prevent rust or reduction of insulating effect.
- Do not spray or wash the refrigerator; do not put the refrigerator in moist places easy to be splashed with water so as not to affect the electrical insulation properties of the refrigerator.
- The refrigerator is placed in a well-ventilated indoor place; the ground shall be flat, and sturdy (rotate left or right to adjust the wheel for levelling if unstable).
- Please do not use the appliance on traffic means (such as boat and so on)
- The top space of the refrigerator shall be greater than 30cm, and The refrigerator should be placed against a wall with a free distance more than 10cm to facilitate heat dissipation.



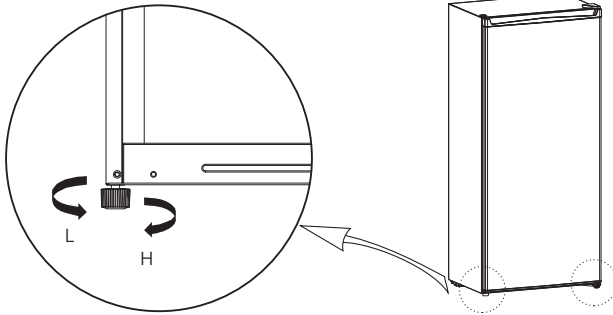
Precautions before installation:

Before installation or adjusting of accessories, it shall be ensured that the refrigerator is disconnected from power.

Precautions shall be taken to prevent fall of the handle from causing any personal injury.

Levelling feet

Schematic diagram of the levelling feet



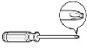
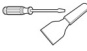


The picture above is only for reference. The actual configuration will depend on the physical product or statement by the distributor.

Adjusting procedures:

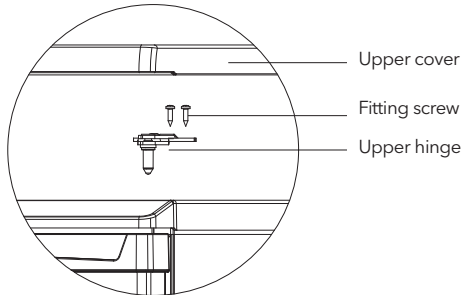
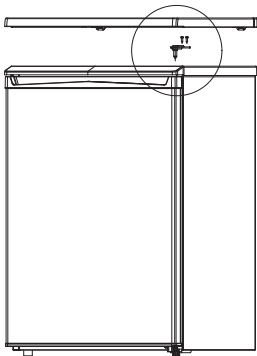
- a. Turn the feet clockwise to raise the refrigerator;
- b. Turn the feet counterclockwise to lower the refrigerator;
- c. Adjust the right and left feet based on the procedures above to a horizontal level.

Door Right-Left Change

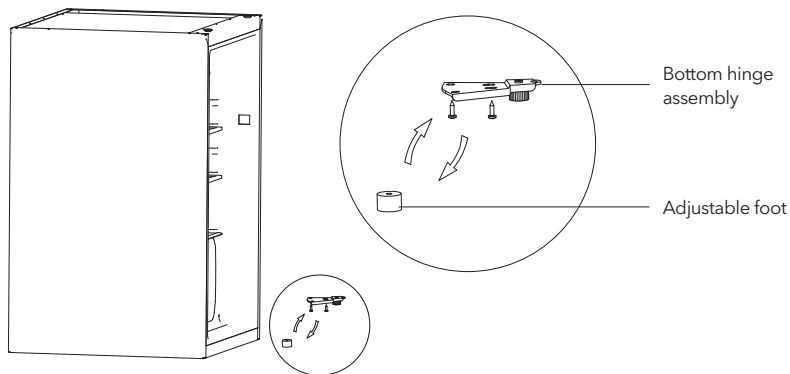
List of tools to be provided by the user

	Cross screwdriver		Putty knife thin-blade screwdriver
	5/16" socket spanner		Masking tape

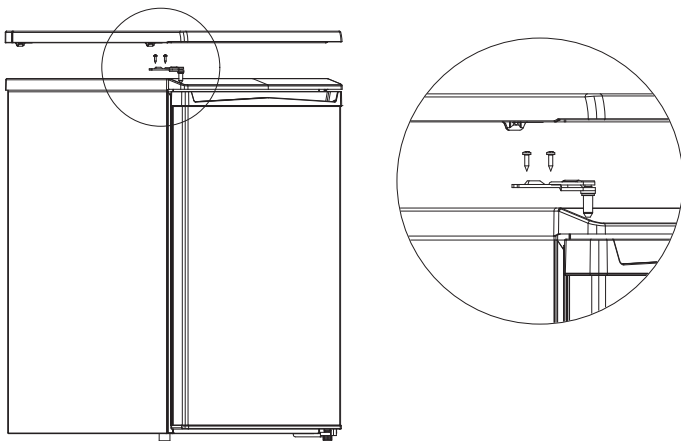
1. Power off the refrigerator, and remove all objects from the door trays.
2. Dismantle the upper cover, fitting screws of upper hinge, and remove the upper hinge, please keep the door vertical in whole process for avoiding falling down.



3. Dismantle the door and the bottom hinge assembly and adjustable foot, then assemble the bottom hinge assembly and adjustable foot on other side.



4. Put the door on bottom hinge and assemble the upper hinge, screws, and upper cover.

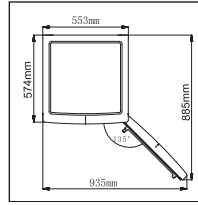


Changing the Light

Any replacement or maintenance of the LED lamps is intended to be made by the manufacturer, its service agent or similar qualified person.

Starting to use

- Before initial start, keep the refrigerator still for two hours before connecting it to power supply.
- Before putting any fresh or frozen foods, the refrigerator shall have run for 2-3 hours, or for above 4 hours in summer when the ambient temperature is high.



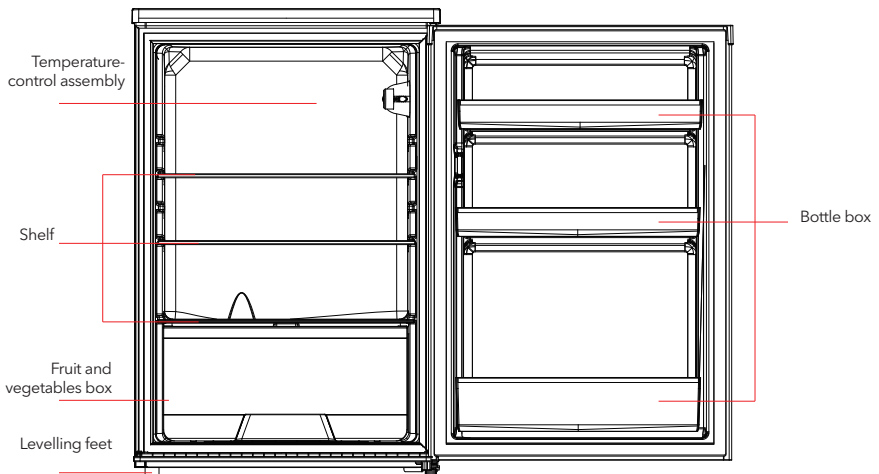
- Spare enough space for convenient opening of the doors and drawers or statement by the distributor.

Energy saving tips

- The appliance should be located in the coolest area of the room, away from heat producing appliances or heating ducts, and out of the direct sunlight.
- Let hot foods cool to room temperature before placing in the appliance. Overloading the appliance forces the compressor to run longer. Foods that cooled too slowly may lose quality, or spoil.
- Be sure to wrap foods properly, and wipe containers dry before placing them in the appliance. This cuts down on frost build-up inside the appliance.
- Appliance storage bin should not be lined with aluminum foil, wax paper, or paper toweling. Liners interfere with cold air circulation, making the appliance less efficient. Organize and label food to reduce door openings and extended searches. Remove as many items as needed at one time, and close the door as soon as possible.

STRUCTURE AND FUNCTIONS

Key components

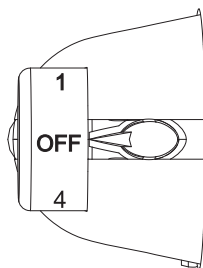


The picture above is only for reference. The actual configuration will depend on the physical product or statement by the distributor

Refrigerating chamber

- The Refrigerating Chamber is suitable for storage of a variety of fruits, vegetables, beverages and other food consumed in the short term.
- Cooking foods shall not be put in the refrigerating chamber until cooled to room temperature.
- Foods are recommended to be sealed up before putting into the refrigerator.
- The glass shelves can be adjusted up or down for a reasonable amount of storage space
- **Note:** Storage of too much food during operation after the initial connection to power may adversely affect the freezing effect of the refrigerator.

Functions



The figures do not mean specific set temperature, but temperature level. "1" means the warmest setting

"4" means the coldest setting

The higher the figure is, the lower the actual temperature inside refrigerator shall be. "OFF" means stop running.

The picture above is only for reference. The actual configuration will depend on the physical product or statement by the distributor

MAINTENANCE AND CARE

Overall cleaning

- Dusts behind the refrigerator and on the ground shall be timely cleaned to improve the cooling effect and energy saving. The interior of the refrigerator should be cleaned regularly to avoid odor. Soft towels or sponge dipped in water and non-corrosive neutral detergents are suggested for cleaning. The refrigerator shall be finally cleaned with clean water and dry cloth. Open the door for natural drying before the power is turned on.
- Do not use hard brushes, clean steel balls, wire brushes, abrasives, such as toothpastes, organic solvents (such as alcohol, acetone, banana oil, etc.), boiling water, acid or alkaline items clean refrigerator considering that this may damage the fridge surface and interior.
- Do not rinse with water so as not to affect the electrical insulation properties.



Please unplug the refrigerator for defrost and cleaning.

Defrosting

- Unplug the power cord
- Please remove the foods from the refrigerator and place them properly to prevent foods from going bad, then prepare a water container for holding defrosting water.
- It is recommended to use a dry towel to dry the defrosting water on liner and evaporator, then wring dry the towel. Repeat the operation until defrosting completed.
- You can use the natural temperature of the natural defrosting, you can also use the ice shovel to eliminate the frost (to use plastic or wooden ice shovel to prevent damage to the liner).
- You can also use the appropriate amount of hot water to speed up defrosting, with the dry towel to dry the water after defrosting.
- Put all foods back and power on the appliance again.

Out of operation

- Power failure: In case of power failure, even if it is in summer, foods inside the appliance can be kept for several hours; during the power failure, the times of door opening shall be reduced, and no more fresh food shall be put into the appliance.
- Long-time nonuse: The appliance shall be unplugged and then cleaned; then the doors are left open to prevent odor.
- Moving: Before the refrigerator is moved, take all objects inside out, fix the glass partitions, vegetable holder, freezing chamber drawers and etc. with tape, and tighten the levelling feet; close the doors and fix them with tape. During moving, the appliance shall not be laid upside down or horizontally, or be vibrated; the inclination during movement shall be no more than 45°. Do not hold the door and hinge when moving this unit.



The appliance shall run continuously once it is started. Generally, the operation of the appliance shall not be interrupted; otherwise the service life may be impaired.

TROUBLESHOOTING

You may try to solve the following simple problems by yourself. If them cannot be solved, please contact the after-sales department.

Failed operation	<p>Check whether the appliance is connected to power or whether the plug is in well contact</p> <p>Check whether the voltage is too low</p> <p>Check whether there is a power failure or partial circuits have tripped</p>
Odor	<p>Odorous foods shall be tightly wrapped</p> <p>Check whether there is any rotten food</p> <p>Clean the inside of the refrigerator</p>
Long-time operation of the compressor	<p>Long operation of the refrigerator is normal in summer when the ambient temperature is high</p> <p>It is not suggestible having too much food in the appliance at the same time</p> <p>Food shall get cool before being put into the appliance</p> <p>The doors are opened too frequently</p>
Light fails to get lit	<p>Check whether the refrigerator is connected to power supply and whether the illuminating light is damaged</p> <p>Have the light replaced by a specialist</p>
Doors cannot be properly closed	<p>The door is stuck by food packages</p> <p>Too much food is placed</p> <p>The refrigerator is tilted</p>
Loud noise	<p>Check whether the floor is level and whether the refrigerator is placed stably</p> <p>Check whether accessories are placed at proper locations</p>
Door seal fails to be tight	<p>Remove foreign matters on the door seal</p> <p>Heat the door seal and then cool it for restoration (or blow it with an electrical drier or use a hot towel for heating)</p>
Water pan overflows	<p>There is too much food in the chamber or food stored contains too much water, resulting in heavy defrosting</p> <p>The doors are not closed properly, resulting in frosting due to entry of air and increased water due to defrosting</p>
Hot housing	<p>Heat dissipation of the built-in condenser via the housing, which is normal</p> <p>When housing becomes hot due to high ambient temperature, storage of too much food or shutdown of the compressor is shut down, provide sound ventilation to facilitate heat dissipation</p>

Surface condensation	Condensation on the exterior surface and door seals of the refrigerator normal when the ambient humidity is too high. Just wipe the condensate with a clean towel.
Abnormal noise	Buzz: The compressor may produce buzzes during operation, and the buzzes are loud particularly upon start or stop. This is normal. Creak: Refrigerant flowing inside of the appliance may produce creak, which is normal.

Table 1 Climate classes

Class	Symbol	Ambient temperature range °C
Extended temperate	SN	+10 to +32
Temperate	N	+ 16 to +32
Subtropical	ST	+16 to + 38
Tropical	T	+ 16 to + 43

BEZBJEDNOSNA UPOZORENJA

Upozorenje:



Upozorenje: rizik od požara / zapaljivih materijala

PREPORUKE:

- Ovaj uređaj je namijenjen za upotrebu u domaćinstvima i sličnom okruženju poput kuhinja za osoblje u prodavnicama, kancelarijama i drugom radnom okruženju; poljoprivrednih domaćinstava i hotela, motela i ostalih objekata rezidencijalnog tipa, gdje se stavlja na raspolaganje klijentima; objekata koji pružaju uslugu noćenja sa doručkom; keteringa i u slične neprodajne namjene.
- Ukoliko je kabl za napajanje oštećen, potrebno je da njegovu zamjenu obavi proizvođač, njegov ovlašćeni serviser ili lica sa sličnim kvalifikacijama kako bi se izbjegao nastanak opasnosti.
- Ne čuvajte eksplozivne supstance poput aerosol boca sa zapaljivim potisnim gasom u uređaju.
- Uređaj je potrebno isključiti iz struje nakon upotrebe, a prije njegovog korisničkog održavanja.
- **UPOZORENJE:** Povedite računa da ventilacioni otvori ne budu blokirani unutar ugradnog dijela ili ugradne konstrukcije za uređaj.
- **UPOZORENJE:** Ne upotrebljavajte mehanička sredstva ili druge postupke za ubrzavanje procesa otapanja, ukoliko nijesu preporučeni od strane proizvođača.
- **UPOZORENJE:** Ne oštećujte instalacije za rashladno sredstvo.
- **UPOZORENJE:** Ne upotrebljavajte električne uređaje unutar pregrada za čuvanje hrane ovog uređaja, osim ukoliko su u pitanju tipovi preporučeni od strane proizvođača.
- **UPOZORENJE:** Frižider odložite u skladu sa lokalnim propisima jer se za njegov rad upotrebljavaju zapaljivi eksplozivni gas i rashladno sredstvo.
- **UPOZORENJE:** Prilikom pozicioniranja uređaja, uvjerite se da kabl za napajanje nije pritisnut ili oštećen.
- **UPOZORENJE:** Ne postavljajte prenosive produžne kablove sa više utičnica ili prenosive akumulatore iza uređaja.
- Ne upotrebljavajte produžne kablove ili neuzemljene (sa dva kraka) adaptere.
- **OPASNOST:** Rizik od zatvaranja djece unutar uređaja. Pre nego što odbacite svoj stari frižider ili zamrzivač:
 - Skinite vrata.
 - Ostavite police unutar uređaja kako djeca ne bi mogla da se lako uvuku unutra.
- Prije nego to pokušate da instalirate neki prateći element, frižider morate isključiti iz struje.
- Rashladno sredstvo i pjenušavo sredstvo ciklopentan koji se koriste u okviru frižidera su zapaljivi. Stoga, prilikom odlaganja frižidera, držite ga dalje od izvora plamena i, umjesto da ga odložite sagorijevanjem, predajte ga nekoj od specijalizovanih kompanija sa odgovarajućim kvalifikacijama da omogući njegovo ponovno iskorišćenje, jer ćete na taj način spriječiti štetne efekte po životnu sredinu ili druge opasnosti.
- Za EN standard: Ovaj uređaj mogu upotrebljavati djeca starosti od 8 ili više godina i osobe sa umanjnim fizičko-senzornim ili mentalnim sposobnostima ili nedostatkom iskustva i znanja ukoliko su pod nadzorom ili su upućeni u bezbjedno korišćenje uređaja i shvataju opasnost koje njegova upotreba nosi. Djeca se ne smiju igrati uređajem. Djeca ne smiju da obavljaju čišćenje i korisničko održavanje uređaja bez nadzora.
- Za IEC standard: Ovaj uređaj ne treba da upotrebljavaju osobe (uključujući djecu) sa umanjnim fizičko-senzornim ili mentalnim sposobnostima ili nedostatkom iskustva i znanja, osim ukoliko su pod nadzorom ili ako ih je za korišćenje uređaja obučila osoba odgovorna za njihovu bezbjednost.
- Djecu je potrebno nadgledati kako biste bili sigurni da se ne igraju uređajem.

Značenje simbola bezbjednosnih upozorenja



Ovo je simbol za zabranu. Svako nepoštovanje uputstava označenih ovim simbolom za rezultat može imati oštećenje proizvoda ili ugrožavanje lične bezbjednosti korisnika.



Ovo je simbol za upozorenje. Neophodno je strogo poštovanje uputstava označenih ovim simbolom; u suprotnom, može doći do oštećenja proizvoda ili do povređivanja.



Ovo je simbol za oprez. Uputstva označena ovim simbolom zahtevaju poseban oprez. Nedovoljan oprez za rezultat može imati lakše ili umjereno povređivanje ili oštećenje proizvoda.

Upozorenja u vezi sa električkom

- Ne izvlačite utikač za napajanje frižidera iz utičnice tako što ćete vući kabl za napajanje. Čvrsto uhvatite utikač i izvucite ga direktno iz utičnice.
- Kako biste omogućili bezbjednu upotrebu, ne oštećujte kabl za napajanje i ne koristite uređaj ukoliko je kabl za napajanje oštećen ili istrošen.
- Ukoliko dođe do pojave buke, neprijatnog mirisa ili dima, odmah izvucite utikač za napajanje iz struje i obratite se distributeru ili lokalnom ovlašćenom serviseru.
- Koristite utičnicu namijenjenu za ovaj uređaj i povedite računa da na istoj utičnici ne budu priključeni drugi električni uređaji.
- Utikač za napajanje treba da ima dobar kontakt sa utičnicom; u suprotnom, može doći do požara.
- Uvjerite se da je elektroda za uzemljenje u utičnici opremljena pouzdanom linijom za uzemljenje.
- Ukoliko dođe do curenja gasa ili drugih zapaljivih gasova, zatvorite ventil za gas koji curi, a zatim otvorite vrata i prozore. Ne isključujte frižider i druge električne uređaje iz struje, jer pojava varnica može da uzrokuje požar.
- Ne stavljajte električne uređaje na ovaj uređaj, osim ukoliko su u pitanju tipovi uređaja preporučeni od strane proizvođača.

Upozorenja u vezi sa upotrebom

- Nemojte proizvoljno demontirati ili ponovo sklapati frižider, niti oštećivati instalacije za cirkulisanje rashladnog sredstva; održavanje uređaja mora da obavlja stručno lice
- Kako bi se izbjegla opasnost, zamjenu oštećenog kabla za napajanje mora da obavi proizvođač, njegov sektor za održavanje ili slična stručna lica.
- Razmaci između vrata frižidera i između vrata i tijela frižidera su mali; ne stavljajte ruke u ovaj prostor kako biste izbjegli povređivanje prstiju. Vrata frižidera zatvarajte lagano kako biste izbjegli padanje predmeta.
- Kako biste izbjegli pojavu promrzlina, ne uzimajte vlažnim rukama hranu ili posude iz komore za zamrzavanje u toku rada frižidera; ovo se posebno odnosi na metalne sudove.
- Molimo vas da ne zavljučite ruke ispod ili iza uređaja, kako biste spriječili povređivanje
- Ne dozvoljavajte djeci da ulaze u frižider ili da se penju po njemu; u suprotnom, može doći do gušenja ili povređivanja djece prilikom pada.
- Ne stavljajte teške predmete na gornju površinu frižidera, jer ovakvi predmeti mogu pasti prilikom otvaranja ili zatvaranja vrata, što za rezultat može imati nehotično povređivanje.
- U slučaju nestanka struje ili prilikom čišćenja, izvucite utikač iz utičnice. Ne povežite frižider na napajanje u toku narednih pet minuta kako biste spriječili oštećivanje kompresora nastalo usled višestopnih pokretanja.

Upozorenja u vezi sa sadržajem u uređaju

- Da biste spriječili oštećenja proizvoda ili pojavu požara, ne stavljajte u frižider zapaljiva, eksplozivna i isparljiva sredstva, kao ni predmete koji lako korodiraju.
- Da biste izbjegli pojavu požara, ne stavljajte zapaljive predmete blizu frižidera.
- Frižider je namijenjen za upotrebu u domaćinstvima, kao što je čuvanje hrane; ne smije se koristiti ni u kakve druge svrhe, kao što su skladištenje krvi, ljekova ili bioloških proizvoda itd.

Upozorenja u vezi sa utroškom energije

1. Uređaji za rashlađivanje možda neće raditi ujednačeno (mogućnost otapanja sadržaja ili pretjeranog rasta temperature u pregradi za smrznutu hranu) ukoliko se tokom dužeg vremenskog perioda drže na temperaturama nižim od najniže vrednosti temperaturnih opsega za koje je uređaj za rashlađivanje napravljen.
2. Ne treba prekoračivati period čuvanja preporučeni od strane proizvođača hrane za bilo koji tip hrane.
3. Neophodno je primijeniti mere predostrožnosti za sprečavanje pretjeranog zagrijavanja smrznute hrane prilikom otapanja uređaja za rashlađivanje, poput umotavanja hrane u nekoliko slojeva novinske hartije.
4. Ključeve, koji se upotrebljavaju za vrata ili poklopce opremljene bravama i ključevima, treba držati van domašaja djece, a ne u blizini uređaja za rashlađivanje, kako bi se spriječilo zaključavanje djece unutar uređaja.

Upozorenja u vezi sa odlaganjem



Rashladno sredstvo i pjenušavo sredstvo ciklopentan, koji se upotrebljavaju u frižideru, su zapaljivi. Stoga, prilikom odlaganja frižidera, držite ga dalje od izvora plamena i, umjesto da ga odložite sagorijevanjem, predajte ga nekoj od specijalizovanih kompanija sa odgovarajućim kvalifikacijama da omogući njegovo ponovno iskorišćenje, jer ćete na taj način spriječiti štetne efekte po životnu sredinu ili druge opasnosti.



Prilikom odlaganja frižidera, demontirajte vrata i uklonite zaptivku sa vrata, kao i police; vrata i police stavite na odgovarajuće mjesto kako biste spriječili zatvaranje djece unutar uređaja.



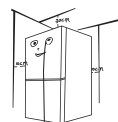
Pravilno odlaganje ovog proizvoda:

Ova oznaka ukazuje da ovaj proizvod ne treba odlagati zajedno sa ostalim otpadom iz domaćinstva. Kako biste spriječili potencijalnu štetu po životnu sredinu ili zdravlje ljudi nastalu nekontrolisanim odlaganjem otpada, odgovorno ga reciklirajte kako biste promovisali održivu ponovnu upotrebu materijalnih resursa. Molimo Vas da svoj polovni uređaj vratite putem sistema za vraćanje i prikupljanje otpada ili da kontaktirate prodavnicu u kojoj ste proizvod kupili. Ovim putem se proizvod može reciklirati na način bezbjedan po životnu sredinu.

PRAVILNA UPOTREBA FRIŽIDERA

Pozicioniranje

- Prije upotrebe, uklonite cjelokupnu ambalažu, uključujući jastučice na dnu, podmetače od pjene i selotejp unutar frižidera; odlijepite zaštitni film sa vrata i tijela frižidera.
- Ostavite ambalažu i ostale djelove van domašaja djece kako biste spriječili pojavu rizika od gušenja.
- Držite dalje od toplote i izbegavajte direktno izlaganje suncu. Zamrzivač ne postavljajte na vlažna ili mokra mesta da biste spriječili formiranje rde ili umanjenje efekta izolacije.
- Frižider nemojte prskati niti prati; ne stavljajte frižider na vlažna mjesta na kojima može lako doći u kontakt sa vodom, kako ovo ne bi nepovoljno uticalo na električnu izolaciju frižidera.
- Frižider se postavlja na dobro provjetreno mjesto u zatvorenom; podloga treba da bude ravna i čvrsta (ukoliko je uređaj nestabilan, zarotirajte točičić za nivelisanje ulijevo ili udesno kako biste ga podesili).
- Ne upotrebljavajte uređaj u okviru transportnih sredstava (poput broda i tako dalje)
- Da omogućite rasipanje toplote, prostor iznad gornje površine frižidera treba da bude veći od 30 cm, a slobodni prostor između zadnjeg dijela frižidera i zida treba da bude veći od 10 cm.

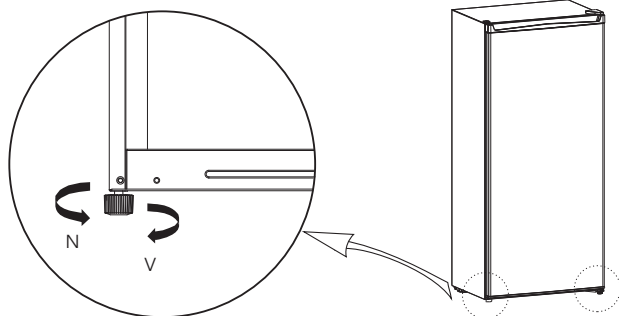


Mjere predostrožnosti prije postavljanja:

Prije postavljanja ili podešavanja pratećih elemenata, uvjerite se da je frižider isključen iz struje. Preduzmite sve mjere predostrožnosti da spriječite padanje ručke i povređivanje ljudi.

Nožice za nivelisanje

Šematski prikaz
nožica za nivelisanje

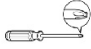
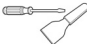




Slika iznad je prikazana isključivo u ilustrativne svrhe. Realna konfiguracija zavisiće od samog uređaja ili izjave distributera

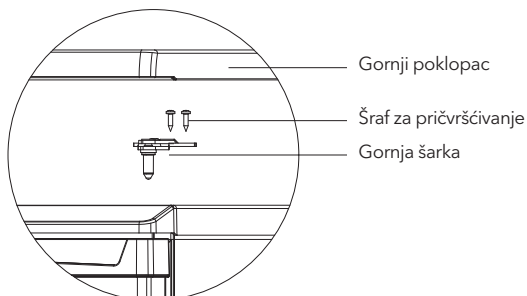
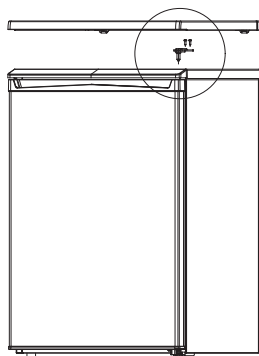
Postupak podešavanja:

- Da podignete frižider, nožice okrećite u smjeru kretanja kazaljke na satu;
- Da spustite frižider, nožice okrećite u smjeru suprotnom od kretanja kazaljke na satu;
- Desnu i lijevu nožicu podesite prema gore navedenoj proceduri tako da uređaj stoji horizontalno.

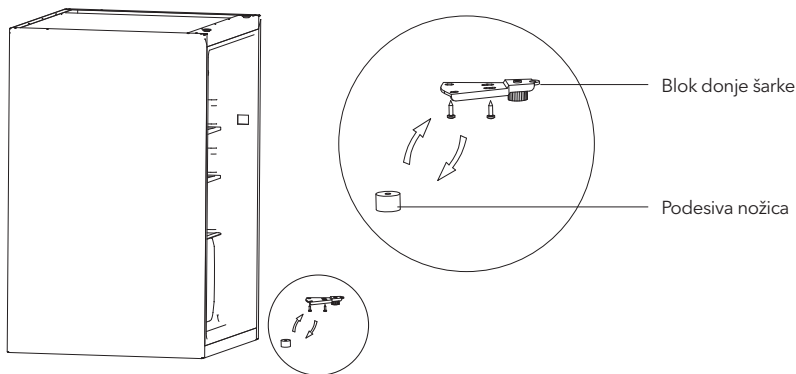
Promjena pozicije vrata sa desne na lijevu stranu i obrnuto

Spisak alata koji treba da obezbijedi korisnik			
	Krstasti odvijač		Spatula tanki, ravni odvijač
	Nasadni ključ od 5/16"		Krep traka

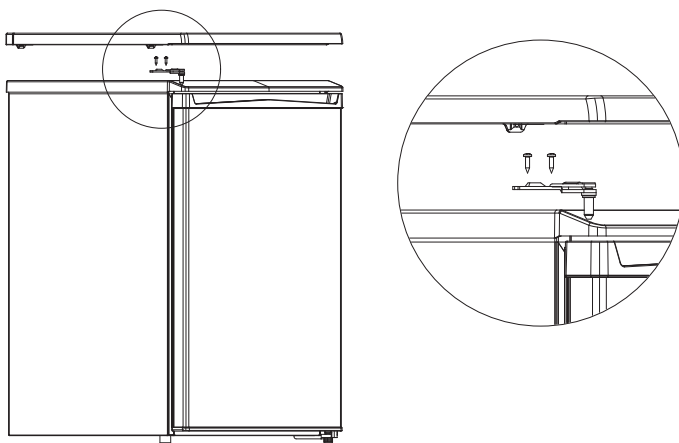
- Isključite frižider i izvadite sve predmete koji se nalaze na policama u vratima.
- Razmontirajte gornji poklopac, šrafove za pričvršćivanje gornje šarke i skinite gornju šarku; tokom čitavog postupka, vrata držite u vertikalnom položaju kako biste izbjegli njihovo padanje.



3. Razmontirajte vrata, kao i blok donje šarke i podesivu nožicu, a zatim blok donje šarke i podesivu nožicu namontirajte na suprotnu stranu.



4. Postavite vrata na donju šarku i namontirajte gornju šarku, šrafove i gornji poklopac.

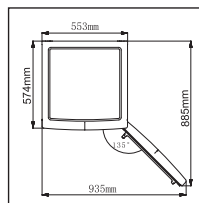


Zamjena lampice

Svaku zamjenu ili održavanje LED lampica treba da obavi proizvođač, njegov ovlašćeni serviser ili lice sa sličnim kvalifikacijama.

Početak upotrebe

- Prije prvog pokretanja, frižider ostavite da stoji dva sata prije nego što ga priključite na struju.
- Prije nego što stavite bilo kakvu svježu ili smrznutu hranu, frižider treba da radi 2-3 sata ili više od 4 sata tokom ljeta, kada je sobna temperatura povišena.



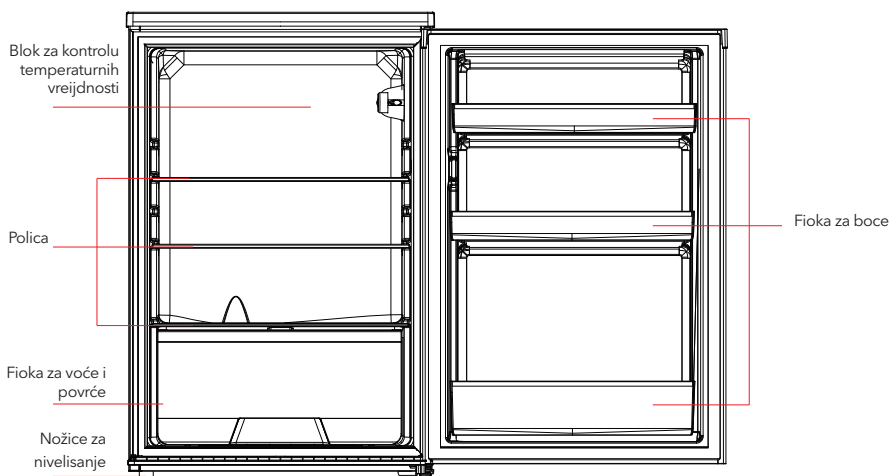
- Ostavite dovoljno prostora za odgovarajuće otvaranje vrata i fioka, ili onoliko prostora koliko je naveo distributer.

Savjeti za uštedu energije

- Uređaj treba postaviti u najhladniji dio prostorije, dalje od uređaja koji stvaraju toplotu ili grejnih kanala, kao i direktnih sunčevih zraka.
- Prije nego što je stavite u uređaj, vrelu hranu ostavite da se ohladi do sobne temperature. Prepunjavanje uređaja primorava kompresor da radi duže. Hrana koja se hladi previše sporo može da izgubi na kvalitetu ili da se pokvari.
- Pobrinite se da, prije stavljanja u uređaj, hranu na odgovarajući način uvijete i da sudove obrišete tako da budu suvi. Na ovaj način redukujete formiranje leda unutar uređaja.
- Fioku za odlaganje hrane u uređaju ne treba oblagati aluminijumskom folijom, papirom za pečenje ili papirnim ubrusima. Materijali koji se koriste za oblaganje utiču na cirkulisanje hladnog vazduha, što umanjuje efikasnost uređaja.
- Organizujte i označite hranu kako biste rjeđe otvarali vrata uređaja i kraće tražili hranu. Odjednom izvadite sve što vam je potrebno i zatvorite vrata što prije možete.

STRUKTURA I FUNKCIJE

Glavne komponente

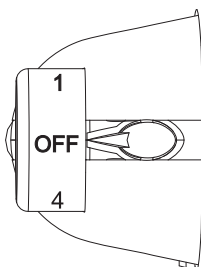


Slika iznad je prikazana isključivo u ilustrativne svrhe. Realna konfiguracija zavisiće od samog uređaja ili izjave distributera

Rashladna komora

- Rashladna komora je pogodna za odlaganje raznovrsnog voća, povrća, pića i
- druge hrane koja se konzumira u kratkom roku.
- Termički obrađenu hranu ne stavljajte u rashladnu komoru sve dok se ne ohladi do sobne temperature.
- Preporučljivo je da hranu hermetički zatvorite prije stavljanja u frižider.
- Staklene police možete postavljati na višim ili nižim nivoima kako biste dobili odgovarajući skladišni prostor
- **Napomena:** Stavljanje prevelike količine hrane nakon prvog uključivanja u struju može da nepovoljno utiče na funkciju zamrzavanja frižidera.

Funkcije



Cifre ne označavaju određenu temperaturu, već temperaturni nivo. „1“ označava najtoplije podešavanje „4“ označava najhladnije podešavanje Što je broj veći, realna temperatura unutar frižidera biće niža. „OFF“ znači da uređaj ne radi.

Slika iznad je prikazana isključivo u ilustrativne svrhe. Realna konfiguracija zavisiće od samog uređaja ili izjave distributera.

ODRŽAVANJE I BRIGA O FRIŽIDERU

Čišćenje cjelokupnog uređaja

- Da biste unaprijedili efekat hlađenja i uštedu energije, redovno čistite prašinu iza frižidera i na podlozi. Da izbjegnute stvaranje neprijatnih mirisa, redovno čistite unutrašnjost frižidera. Za čišćenje se preporučuju meke krpe ili sunder potopljeni u vodu sa nekorozivnim neutralnim deterdžentom. Na kraju postupka, frižider treba očistiti čistom vodom i suvom krpom. Prije nego što ga priključite na struju, otvorite vrata uređaja, kako bi se prirodno osušio.
- Ne upotrebljavajte tvrde četke, čelične žice za čišćenje, žičane četke, abrazivna sredstva poput pasta za zube, organske rastvarače (poput alkohola, acetona, ulja banane itd.), ključalu vodu, kisjela ili alkalna sredstva prilikom čišćenja frižidera s obzirom da navedena sredstva mogu da oštete površine i unutrašnjost frižidera.
- Ne ispirajte vodom da ne biste oštetili materijale koji pružaju električnu izolaciju.



Prilikom otapanja i čišćenja, isključite frižider iz struje.

Otapanje

- Isključite kabl za napajanje iz struje.
- Izvadite hranu iz frižidera i odložite je na odgovarajući način kako biste spriječili njeno kvarenje, a zatim pripremite posudu za vodu u kojoj će se prikupljati voda nastala prilikom otapanja.
- Preporučuje se da se voda nastala prilikom otapanja upija sa površinskog sloja i isparivača suvom krpom, koju ćete zatim iscijediti. Ponavljajte postupak sve dok se proces otapanja ne završi.
- Da eliminišete led, možete iskoristiti sobnu temperaturu za prirodno otapanje, a možete koristiti i lopaticu za led (upotrebljavajte plastične ili drvene lopatice za led kako biste spriječili oštećivanje površinskog sloja).
- Takođe, možete upotrijebiti i odgovarajuću količinu vrele vode da ubrzate proces otapanja, u kombinaciji sa suvom krpom kojom ćete pokupiti vodu nakon otapanja.
- Vratite cjelokupnu hranu u uređaj i ponovo ga uključite u struju.

Prestanak rada

- Nestanak struje: Ukoliko dođe do nestanka struje, čak i tokom ljeta, hrana se unutar uređaja može držati po nekoliko sati; u toku nestanka struje, treba smanjiti broj otvaranja vrata i ne treba stavljati dodatnu svježu hranu u uređaj.
- Dugo nekorišćenje: Uređaj treba isključiti iz struje, a zatim očistiti; vrata treba ostaviti otvorena kako bi se spriječio stvaranje neprijatnih mirisa.
- Premještanje: Prije premještanja frižidera, izvadite sve predmete iz njegove unutrašnjosti, pričvrstite staklene razdeonike, posudu za povrće, fiok komore za zamrzavanje itd. selotejpom i zategnite nožice za nivelisanje; vrata zatvorite i pričvrstite ih selotejpom. Tokom premještanja, uređaj ne postavljajte u obrnuti ili horizontalni položaj i nemojte ga tresti; stepen nagutosti uređaja tokom premještanja ne smije da bude više od 45°. Prilikom premještanja, ne pridržavajte uređaj za vrata ili šarke.



Kada ga uključite, uređaj će neprekidno raditi. Generalno, ne prekidajte rad uređaja; u suprotnom, može doći do umanjenja radnog vijeka proizvoda.

OTKLANJANJE PROBLEMA

Dolje navedene jednostavne probleme možete pokušati da sami razriješite. Ukoliko ih nije moguće riješiti, obratite se sektoru za usluge održavanja.

Prestanak rada	Provjerite da li je uređaj priključen na struju ili da li je kontakt između utikača i utičnice dobar Provjerite da li je napon pre nizak Provjerite da li je došlo do nestanka struje ili do iskakanja određenih osigurača
Mirisi	Hranu koja odaje jače mirise treba dobro uviti Provjerite da li se neka hrana pokvarila Očistite unutrašnjost frižidera
Dugotrajan rad kompresora	Normalno je da frižider duže radi tokom ljeta, kada je spoljašnja temperatura povišena Ne preporučuje se da odjednom stavite preveliku količinu hrane u uređaj Prije stavljanja u uređaj, sačekajte da se hrana najprije ohladi Vrata se pretjerano često otvaraju
Lampica se ne uključuje	Provjerite da li je frižider priključen na struju i da li je sijalica oštećena Postarajte se da lampicu zamijeni stručno lice
Vrata frižidera se ne zatvaraju dobro	Ambalaža sa hranom blokira vrata uređaja Prevelika količina hrane je stavljena u uređaj Frižider je nakrenut
Glasna buka	Provjerite da li je podloga horizontalna i da li je frižider stabilan Provjerite da li su prateći elementi postavljeni na odgovarajuća mjest
Zaptivka za vrata ne prijanja dovoljno čvrsto	Uklonite strane materije sa zaptivke za vrata Zagrijte zaptivku vrata, a zatim je ohladite kako biste je osvežili (da biste je zagrijali, produvajte je fenom za kosu ili upotrijebite vrelu krpu).
Posuda za vodu preliva	U komori ima previše hrane ili hrana koja se čuva sadži previše vode, što za rezultat ima intenzivno otapanje Vrata nisu dobro zatvorena, što za rezultat ima formiranje leda usled upliva vazduha i povećano stvaranje vode usled otapanja
Pregrejan ugradni deo	Toplota ugrađenog kondenzatora se rasipa kroz ugradni dio, što je normalna pojava Kada se ugradni dio pregrije usled povišene sobne temperature, čuvanja prevelike količine hrane ili prestanka rada kompresora, obezbijedite neprekidnu ventilaciju, kojom ćete omogućiti rasipanje toplote.

Formiranje površinskog kondenza	Formiranje kondenza na spoljašnjim površinama i zaptivkama na vratima frižidera predstavlja normalnu pojavu kada je koncentracija vlage u prostoriji previsoka. Jednostavno obrišite kondenz čistom krpom.
Neuobičajena buka	Zujanje: Tokom rada, kompresor može da zuji, što se posebno glasno čuje na početku i na kraju rada. Ova pojava je normalna. Škripanje: Rashladno sredstvo koje teče unutar uređaja može da proizvodi škripu, što predstavlja normalnu pojavu.

Tabela 1 Klimatske klase

Klasa	Simbol	Raspon sobne temperature °C
Prošireno umjerena	SN	+10 do +32
Umjerena	N	+ 16 do +32
Suprotropska	ST	+16 do + 38
Tropska	T	+ 16 do + 43

TURVALLISUUS

WARNING:



VAROITUS: tulipalon vaara/syttyviä materiaaleja.

SUOSITUKSIA:

- Tämä laite on tarkoitettu käytettäväksi kotitalouksissa ja vastaavissa sovelluksissa, kuten kauppojen, toimistojen ja muiden työympäristöjen henkilökunnan keittiötiloissa, maataloilla sekä hotelleissa, motelleissa ja muissa asuinytyypisissä ympäristöissä, bed and breakfast -tyyppisissä ympäristöissä, cateringkäytössä ja muissa vastaavissa vähittäiskauppaan liittymättömissä toiminnoissa.
- Jos virtajohto vaurioituu, se on vaihdettava valmistajan, sen huoltoliikkeen tai vastaavalla tavalla pätevän henkilön toimesta vaaran välttämiseksi.
- Älä säilytä tässä laitteessa räjähdysalttiita aineita, kuten aerosolipurkkeitä, joissa on syttyvä ponneainetta.
- Laite on irrotettava pistorasiasta käytön jälkeen ja ennen kuin laitteelle tehdään huoltotoimenpiteitä käyttäjän toimesta.
- VAROITUS: Pidä laitteen kotelossa tai sisäänrakennetussa rakenteessa olevat ilmanvaihtoaukot vapaina.
- VAROITUS: Älä käytä mekaanisia laitteita tai muita keinoja sulatuksen nopeuttamiseksi.
- VAROITUS: Älä vahingoita kylmäainepiiriä.
- VAROITUS: Älä käytä muita sähkölaitteita laitteen sisällä, elleivät ne ole valmistajan suosittelemaa tyyppiä.
- VAROITUS: Hävitä jääkaappi paikallisten säädösten mukaisesti, sillä se sisältää syttyvää kaasua ja kylmäainetta.
- VAROITUS: Varmista laitetta sijoittaessasi, että virtajohto ei jää kiinni tai vahingoitu.
- VAROITUS: Älä sijoita useita siirrettäviä pistorasioita tai kannettavia virtalähteitä laitteen taakse. Älä käytä jatkojohtoja tai maadoittamattomia sovittimia.
- VAARA: Lasten telkeytymisvaara. Ennen kuin heität vanhan jääkaapin tai pakastimen pois:
 - Poista ovet.
 - Jätä hyllyt paikoilleen, jotta lapset eivät voi helposti kiivetä sisään.
- Jääkaappi on irrotettava virtalähteestä ennen lisävarusteen asennuksen aloittamista. Jääkaapissa käytettävä kylmäaine ja eristevaahdot ovat syttyviä. Kun jääkaappi romutetaan, se on siksi pidettävä poissa sytytyslähteistä, ja materiaali on kerättävä talteen erityisessä talteenottoyrityksessä, jolla on vaadittava pätevyys, eikä sitä saa hävittää polttamalla, jotta vältetään ympäristövahingot ja muut haitat.
- EN-standardin osalta: Tätä laitetta voivat käyttää vähintään 8-vuotiaat lapset ja henkilöt, joilla on heikentyneet fyysiset aistit tai henkiset kyvyt tai joilla ei ole kokemusta tai tietoa, jos heitä on valvottu tai heille on annettu ohjeita laitteen turvallisesta käytöstä ja jos he ymmärtävät siihen liittyvät vaarat. Lapset eivät saa leikkiä laitteella. Lapset eivät saa suorittaa puhdistusta ja huoltotoimenpiteitä ilman valvontaa.
- IEC-standardin osalta: Tätä laitetta ei ole tarkoitettu sellaisten henkilöiden (mukaan lukien lapset) käyttöön, joilla on heikentyneet fyysiset, sensoriset tai henkiset kyvyt tai joilla ei ole riittävästi kokemusta tai tietoa, ellei heidän turvallisuudestaan vastaava henkilö ole valvonut tai opastanut heitä laitteen käytössä.
- Lapsia on valvottava sen varmistamiseksi, että he eivät leiki laitteella.

Varoituskuvakkeiden merkitys



Tämä on kielto-symboli. Tällä symbolilla merkityt ohjeiden noudattamatta jättäminen voi johtaa tuotteen vaurioitumiseen tai vaarantaa käyttäjän henkilökohtaisen turvallisuuden.



Tämä on varoitussymboli. On noudatettava tiukasti tällä symbolilla merkityjä ohjeita, muuten voi aiheutua tuotevahinkoja tai henkilövahinkoja.



Tämä on varoitettava symboli. Tällä symbolilla merkityt ohjeet edellyttävät erityistä varovaisuutta. Riittämätön varovaisuus voi johtaa lievään tai keskeiväkeaan loukkaantumiseen tai tuotteen vaurioitumiseen.

Sähköturvallisuus

- Älä vedä virtajohtosta, kun irrotat pistokkeen. Tartu pistokkeeseen tukevasti ja vedä se suoraan ulos pistorasiasta.
- Turvallisen käytön varmistamiseksi, älä vahingoita virtajohtoa äläkä käytä virtajohtoa, jos se on vaurioitunut tai kulunut.
- Jos esiintyy melua, hajua tai savuamista, irrota pistoke välittömästi pistorasiasta ja ota yhteys jälleenmyyjään tai paikalliseen huoltoliikkeeseen.
- Käytä erillistä pistorasiaa, pistorasiaa ei saa jakaa muiden sähkölaitteiden kanssa. Virtapistokkeen on oltava tiukasti kosketuksissa pistorasiaan, muuten voi aiheutua tulipalo.
- Varmista, että pistorasia on maadoitettu.
- Jos havaitset vuotavan kaasuventtiiliin, sulje se, ja avaa sitten ovet ja ikkunat, jos kaasua tai muita syttyviä kaasuja vuotaa. Älä irrota jääkaappia ja muita sähkölaitteita ottaen huomioon, että kipinä voi aiheuttaa tulipalon.
- Älä käytä muita sähkölaitteita tämän laitteen päällä, elleivät ne ole valmistajan suosittelemaa tyyppiä.

Käyttövaroitukset

- Jääkaappia ei saa mielivaltaisesti purkaa tai rakentaa uudelleen, eikä kylmäainepiiriä saa vahingoittaa; laitteen huolto on annettava asiantuntijan tehtäväksi.
- Vaurioitunut virtajohto on vaihdettava valmistajan, sen huolto-osaston tai vastaavien ammattilaisten toimesta vaaran välttämiseksi.
- Jääkaapin ovien sekä ovien ja jääkaapin rungon väliset raot ovat pieniä, huomioi, ettet laita kättäsi näille alueille, jotta sormi ei puristuisi. Ole varovainen, kun suljet jääkaapin oven, jotta vältät putoavat esineet.
- Älä poimi elintarvikkeita tai astioita märillä käsillä pakastelokerosta jääkaapin ollessa käynnissä, etenkin metalliastioita, jotta vältät paleltumaa.
- Älä laita käsiäsi laitteen alle tai taakse loukkaantumisen välttämiseksi.
- Älä päästä lapsia jääkaappiin tai kiipeilemään sen päällä; muutoin voi aiheutua lapsen tukehtuminen tai putoamisvamman.
- Älä aseta painavia esineitä jääkaapin päälle, esineet voivat pudota, kun ovea suljetaan tai avataan.
- Vedä pistoke irti sähkökatkon tai puhdistuksen yhteydessä. Älä kytke jääkaappia virtalähteeseen viiden minuutin kuluessa, jotta kompressori ei vaurioituisi peräkkäisistä käynnistyksistä johtuen.

Varoitukset koskien sijoittamista

- Älä laita jääkaappiin syttyviä, räjähdysherkkiä, haihtuvia tai erittäin syövyttäviä esineitä tuotteen vaurioitumisen tai tulipalo-onnettomuuksien välttämiseksi.
- Älä aseta syttyviä esineitä jääkaapin lähelle tulipalojen välttämiseksi.
- Jääkaappi on tarkoitettu kotitalouskäyttöön, kuten elintarvikkeiden säilytykseen; sitä ei saa käyttää muihin tarkoituksiin, kuten veren, lääkkeiden tai biologisten tuotteiden jne. säilytykseen.

Energiaa koskevat varoitukset

1. Jäähdytyslaitteet eivät välttämättä toimi tasaisesti (sisältö voi sulaa tai pakastetun ruoan osaston lämpötila voi nousta liian lämpimäksi), jos ne on sijoitettu pitkäksi aikaa käyttölämpötila-alueen ulkopuolelle.
2. Älä ylitä elintarvikkeiden valmistajien millekään elintarvikkeelle suosittelemaa säilytysaikoja.
3. Varoitoimenpiteet, jotka ovat tarpeen, jotta elintarvikkeiden lämpötila ei nouse kohtuuttomasti kylmälaitteen sulatuksen aikana: elintarvikkeiden kääriminen useaan sanomalehtikerrokseen.
4. Lukoilla ja avaimilla varustettujen ovien tai kansien avaimet on säilytettävä lasten ulottumattomissa eikä kylmälaitteen läheisyydessä, jotta lapset eivät pääse lukittumaan laitteen sisälle.

Varoitukset hävittämistä varten



Jääkaapissa käytettävä kylmäaine ja vaahtoeiste ovat syttyviä. Siksi jääkaappi on romutettaessa pidettävä poissa palonlähteistä ja materiaali on otettava talteen erityisessä talteenottoyrityksessä, jolla on vastaava pätevyys, materiaalia ei saa hävittää polttamalla, jotta vältetään ympäristövahingot ja muut haitat.



Kun jääkaappi romutetaan, ovet on purettava ja oven ja hyllyjen tiivisteet on poistettava; ovet ja hyllyt on asetettava asianmukaiseen paikkaan, jotta lapset eivät jää loukkuun.



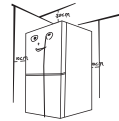
Tämän tuotteen oikea hävittäminen

Oheinen merkintä osoittaa, että tätä tuotetta ei saa hävittää kotitalousjätteiden mukana. Jotta vältät valvomattomasta jätteiden hävittämisestä mahdollisesti aiheutuvat haitat ympäristölle tai ihmisten terveydelle, kierrätä laite vastuullisesti materiaalivarojen kestäväen uudelleenikäytön edistämiseksi. Jos haluat palauttaa käytetyn laitteen, käytä palautus- ja keräysjärjestelmiä tai ota yhteyttä jälleenmyyjään, jolta tuote on ostettu. He voivat ottaa tämän tuotteen ympäristön kannalta turvalliseen kierrätykseen.

LAITTEEN OIKEAOPPINEN KÄYTTÖ

Sijoitus

- Poista ennen käyttöä kaikki pakkausmateriaalit, mukaan lukien pohjapehmusteet, vaahtomuovityyny ja teipit jääkaapin sisältä; revii oven ja jääkaapin rungon suojakalvo pois.
- Aseta pakkausmateriaalit ja muut osat lasten ulottumattomiin tukehtumisvaaran välttämiseksi.
- Pidä poissa kuumuudesta ja vältä suoraa auringonvaloa. Älä aseta pakastinta kosteisiin tai vetisiin paikkoihin ruostumisen tai eristysvaikutuksen heikkenemisen estämiseksi.
- Älä suihkuta tai pese jääkaappia; älä aseta jääkaappia kosteisiin paikkoihin, joihin roiskuu helposti vettä, jotta jääkaapin sähköeristysominaisuudet eivät kärsi.
- Jääkaappi tulee sijoittaa hyvin ilmastoituun sisätilaan; alustan on oltava tasainen ja tukeva (säädä pyörää vasemmalle tai oikealle säätääksesi tasausta, jos laite on epävaka).
- Älä käytä laitetta liikennevälineissä (kuten veneissä jne.).
- Jääkaapin yläpuolelle tulee jättää yli 30 cm vapaata tilaa, laite on sijoitettava seinää vasten siten, että vapaa etäisyys seinän ja laitteen välillä on yli 10 cm lämmön haihtumisen helpottamiseksi.

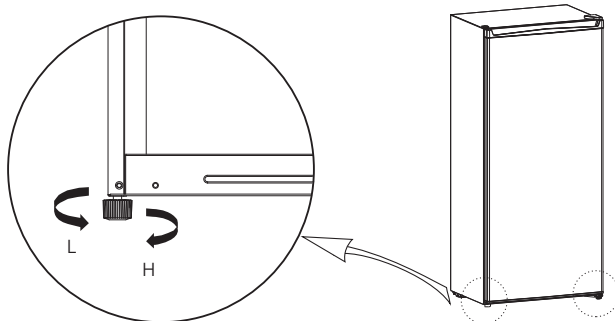


Varoimenpiteet ennen asennusta:

Ennen lisävarusteiden asentamista tai säätämistä on varmistettava, että jääkaappi on irrotettu sähköverkosta.

Jalkojen tasapainottaminen

Kaaviokuva
tasoitus jaloista

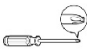
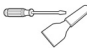




Yllä oleva kuva on vain viitteellinen. Todellinen kokoonpano riippuu fyysisestä tuotteesta tai jälleenmyyjän ilmoituksesta.

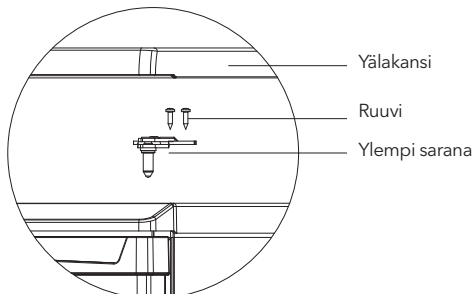
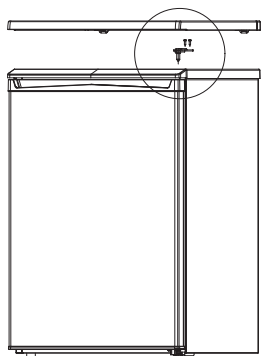
Säätötoimenpiteet:

- Käännä jalkoja myötäpäivään jääkaapin nostamiseksi.
- Käännä jalkoja vastapäivään jääkaapin laskemiseksi.
- Säädä oikea ja vasen jalka edellä esitettyjen menettelyjen mukaisesti vaakatasoon.

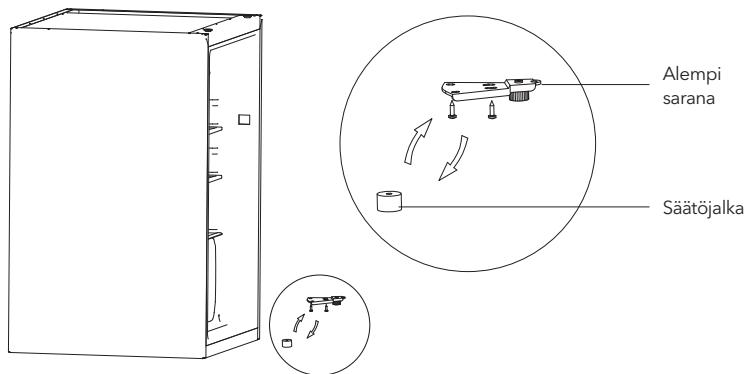
Oven kätsyyden vaihtaminen

Tarvittavat työkalut			
	Ristipääruuvimeisseli		Lasta/ohutkärkinen ruuvimeisseli
	5/16" hylsyavain		Maalarinteippiä

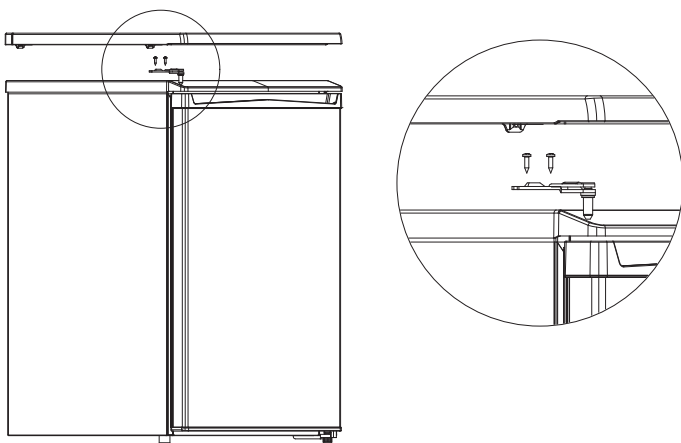
- Katkaise jääkaapista virta ja poista kaikki esineet ovilokeroista.
- Irrota yläkansi, avaa ylemmän saranan ruuvit ja irrota ylempi sarana, pidä ovi pystysuorassa koko prosessin ajan, jotta se ei putoa.



3. Irrota ovi, alempi sarana ja säätöjalka, asenna alempi sarana ja säätöjalka toiselle puolelle.



4. Aseta ovi alempaan saranaan ja kiinnitä ylempi sarana, ruuvit ja yläkansi.

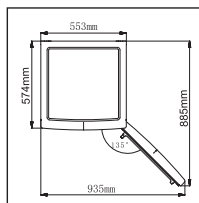


Lampun vaihtaminen

LED-valaisimien vaihto tai huolto on tarkoitettu valmistajan, sen huoltoedustajan tai vastaavan päteväen henkilön tehtäväksi.

Käyttöönotto

- Ennen käyttöönottoa, pidä jääkaappi aloillaan kaksi tuntia ennen kuin kytket sen virtalähteeseen.
- Ennen tuoreiden tai pakastettujen elintarvikkeiden asettamista jääkaappiin on oltava käynnissä 2-3 tuntia tai yli 4 tuntia jos ympäristön lämpötila on korkea.



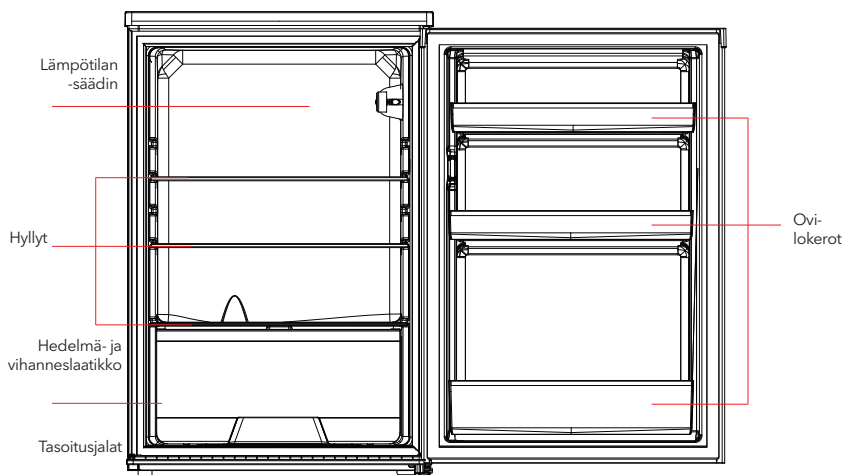
- Varaa riittävästi tilaa ovien ja laatikoiden kätevää avaamista varten.

Energiansäästövinkejä

- Laitte on sijoitettava huoneen viilempään osaan, kauas lämpöä tuottavista laitteista tai lämmityskanavista ja pois suorasta auringonvalosta.
- Anna kuumien ruokien jäähtyä huoneenlämpöiseksi ennen kuin laitat ne laitteeseen. Laitteen ylikuormittaminen pakottaa kompressorin käymään pidempään. Liian hitaasti jäähtyneet elintarvikkeet saattavat menettää laatuaan tai pilaantua.
- Muista kääriä elintarvikkeet kunnolla ja pyyhi astiat kuiviksi ennen niiden asettamista laitteeseen. Tämä vähentää huurteen muodostumista laitteen sisälle.
- Laitteen säilytyslokeroita ei saa vuorata alumiinifoliolla, vahapaperilla tai paperipyhkeellä. Vuoraukset haittaavat kylmän ilman kiertoa, mikä heikentää laitteen tehokkuutta. Järjestä ja merkitse elintarvikkeet, jotta voit vähentää ovien avaamista ja pidempiä avausaikoja. Poista kerralla niin monta tuotetta kuin on tarpeen ja sulje ovi mahdollisimman pian.

RAKENNE JA TOIMINNOT

Key components

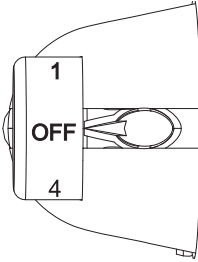


Yllä oleva kuva on suuntaa-antava. Käytä fyysistä tuotetta referenssinä.

Jääkaapin sisus

- Laite soveltuu erilaisten hedelmien, vihannesten, juomien ja muiden pian kulutettavien elintarvikkeiden säilytykseen.
- Kypsennettyjä elintarvikkeita ei saa laittaa jääkaappiin ennen kuin ne on jäähdytetty huoneenlämpötilaan.
- Elintarvikkeet suositellaan pakattaviksi ennen jääkaappiin laittamista.
- Lasihyllyjä voidaan säätää ylös- tai alaspäin sopivan säilytystilan saavuttamiseksi
- **Huomautus:** Liian suurten ruokamäärien säilyttäminen virran ensimmäisen kytkemisen jälkeen voi vaikuttaa haitallisesti jääkaapin jäädystestehoon.

Toiminnot



Luvut eivät tarkoita tiettyä asetuslämpötilaa vaan lämpötilatasoa. "1" tarkoittaa lämpimintä asetusta, "4" tarkoittaa kylmintä asetusta. Mitä korkeampi luku on, sitä alhaisempi on jääkaapin todellinen lämpötila. "OFF" tarkoittaa toiminnan pysäyttämistä.

Oheinen kuva on vain viitteellinen. Käytä fyysistä tuotetta referenssinä.

HUOLTO JA HOITO

Yleinen puhdistus

- Jääkaapin takana ja lattialla olevat pölyt on puhdistettava ajoissa jäähdytystehon ja energiansäästön parantamiseksi. Jääkaapin sisätilat on puhdistettava säännöllisesti hajujen välttämiseksi. Puhdistukseen suositellaan pehmeää rättiä tai veteen ja neutraaliin pesuaineeseen kastettua pesusientä. Jääkaappi on lopuksi puhdistettava puhtaalla vedellä ja kuivalla liinalla. Avaa ovi luonnollista kuivumista varten ennen kuin virta kytketään päälle.
- Älä käytä kovia harjoja, teräsvillaa, metalliharjaa, hankausaineita, orgaanisia liuottimia (kuten alkoholia, asetonia jne.), kiehuvaa vettä, happoja tai emäksisiä aineita puhdistukseen, koska ne voivat vahingoittaa jääkaapin pintaa ja sisustusta.
- Älä huuhtelee vedellä, jotta sähköeristysominaisuudet eivät kärsi.



Irrota jääkaappi pistorasiasta sulatuksen ja puhdistuksen ajaksi.

Sulatus

- Irrota virtajohto.
- Poista elintarvikkeet jääkaapista ja sijoita ne asianmukaisesti, jotta elintarvikkeet eivät pilaannu, ja valmistelee sitten vesiastia sulatusveden säilyttämistä varten.
- On suositeltavaa käyttää kuivaa pyyhettä sulatusveden kuivaamiseen tiivisteessä ja höyrytimessä ja vääntää pyyhe sitten kuivaksi. Toista toimenpide, kunnes sulatus on valmis.
- Voit käyttää sulatukseen huoneenlämpötilaa, voit myös käyttää puu- tai muovilastaa huurteen poistamiseen.
- Voit myös käyttää sopivaa määrää kuumaa vettä sulatuksen nopeuttamiseksi, kuivaa laite kuivalla pyyhkeellä sulatuksen jälkeen.
- Laita kaikki elintarvikkeet takaisin ja käynnistä laite uudelleen.

Ei toiminnassa

- Sähkökatko: Sähkökatkon aikana oven avaamista tulee välttää, eikä laitteeseen saa lisätä elintarvikkeita.
- Pitkäaikainen käyttötauko: Laite on irrotettava pistorasiasta ja puhdistettava; sen jälkeen ovi jätetään auki hajun estämiseksi.
- Siirtäminen: Ennen kuin jääkaappia siirretään, ota kaikki esineet sisältä ulos, kiinnitä teipillä lasiseinät, vihanneslokero, laatikot jne. ja kiristä tasoitusjalat; sulje ovet ja kiinnitä ne teipillä. Siirron aikana laitetta ei saa asettaa ylösalaisin tai vaakasuoraan eikä sitä saa tärisyttää; kallistus siirron aikana saa olla enintään 45°. Älä pidä kiinni ovesta ja saranasta, kun siirrä tätä laitetta.



Laite tulisi pitää aina käynnissä käyttöönoton jälkeen. Laitteen toimintaa ei yleensä tule keskeyttää; muutoin sen käyttöikä voi lyhentyä.

VIANETSINTÄ

Voit yrittää ratkaista seuraavat yksinkertaiset ongelmat itse. Jos vikaa ei voida ratkaista, ota yhteyttä huoltoon.

Laite ei toimi	Tarkista, onko laite kytketty verkkovirtaan ja onko pistoke hyvin kosketuksissa. Tarkista, onko jännite liian alhainen. Onko sähkökatkos tai onko sulake lauennut.
Laite haisee	Haisevat elintarvikkeet on pakattava tiiviisti. Tarkista, onko jääkaapissa mädäntynyttä ruokaa. Puhdista jääkaapin sisäpuoli.
Kompressorin käy pitkään	Kompressorin pitkä käynti on normaalia, kun huonelämpötila on korkea. Laitteessa ei saa olla samanaikaisesti liikaa elintarvikkeita. Elintarvikkeiden oltava viileitä ennen laitteeseen laittamista. Ovi avataan liian usein.
Valo ei pala	Tarkista, onko jääkaappi kytketty virtalähteeseen, onko lamppu vaurioitunut. Vaihdata valo asiantuntijan toimesta.
Ovea ei voida sulkea kunnolla	Ruokapakkaukset ovat jumittaneet oven. Liian paljon ruokaa on laitettu laitteeseen. Laite on kallistunut.
Kova ääni	Tarkista, että lattia on tasainen ja että jääkaappi on sijoitettu vakaasti. Tarkista, että lisävarusteet on sijoitettu oikeille paikoille.
Oven tiiviste ei ole tiivis	Poista vierasesineet tiivisteestä. Kuumenna oven tiiviste ja muotoile se (voit käyttää lämpöpuhallinta tai kuumaa pyyhettä).
Vesiallas vuotaa yli	Laitteessa on liikaa ruokaa tai ruoassa on liikaa vettä, jolloin huurteenpoistoprosessi on raskas. Ovi ei ole kunnolla kiinni, mikä johtaa huurtumiseen ja huurteenpoistosta johtuvaan veden lisääntymiseen.
Runko on kuuma	Sisäänrakennettu lauhdutin tuottaa lämpöä koteloon, tämä on normaalia. Kotelo voi kuumentua ympäristön lämpötilan vuoksi. Liikaa ruokaa on varastoitu. Huolehdi riittävästä ilmanvaihdosta.

Kondensaatiota	Kondensaatio jääkaapin ulkopinnalla ja ovitiivisteissä on normaalia, kun ympäristön kosteus on korkea. Pyyhi kondenssivesi puhtaalla pyyhkeellä.
Epänormaali ääni	Surina: Kompressori saattaa tuottaa surinaa käytön aikana, surina on kova erityisesti käynnistyksen tai pysäytyksen yhteydessä. Tämä on normaalia. Narina: Laitteen sisällä virtaava kylmäaine voi aiheuttaa narinaa, mikä on normaalia.

Ilmastoluokat

Class	Ilmastoluokka	Ympäröivä lämpötila °C
Extended temperate	SN	+10 – +32
Temperate	N	+ 16 – +32
Subtropical	ST	+16 – + 38
Tropical	T	+ 16 – + 43

SIGURNOSNA UPOZORENJA

Upozorenje:



Upozorenje: rizik od požara / zapaljivih materijala

PREPORUKE:

- Ovaj uređaj je namenjen za upotrebu u kućanstvima i sličnom okruženju poput kuhinja za osoblje u trgovinama, uredima i drugom radnom okruženju; poljoprivrednih domaćinstava i hotela, motela i ostalih objekata rezidencijalnog tipa, gdje se stavlja na raspolaganje klijentima; objekata koji pružaju uslugu noćenja sa doručkom; cateringa i u slične neprodajne namjene.
- Ukoliko je kabl za napajanje oštećen, potrebno je da njegovu zamjenu obavi proizvođač, njegov ovlašćeni serviser ili osoba sa sličnim kvalifikacijama kako bi se izbjegao nastanak opasnosti.
- Ne čuvajte eksplozivne supstance poput aerosol boca sa zapaljivim potisnim plinom u uređaju.
- Uređaj je potrebno isključiti iz struje nakon upotrebe, a prije njegovog korisničkog održavanja.
- **UPOZORENJE:** Povedite računa da ventilacijski otvori ne budu blokirani unutar ugradbenog djela ili ugradbene konstrukcije za uređaj.
- **UPOZORENJE:** Ne upotrebljavajte mehanička sredstva ili druge postupke za ubrzavanje procesa otapanja, ukoliko nisu preporučeni od strane proizvođača.
- **UPOZORENJE:** Ne oštećujte instalacije za rashladno sredstvo.
- **UPOZORENJE:** Ne upotrebljavajte električne uređaje unutar pregrada za čuvanje hrane ovog uređaja, osim ukoliko su u pitanju tipovi preporučeni od strane proizvođača.
- **UPOZORENJE:** Frižider odložite u skladu sa lokalnim propisima jer se za njegov rad upotrebljavaju zapaljivi eksplozivni plin i rashladno sredstvo.
- **UPOZORENJE:** Prilikom pozicioniranja uređaja, uvjerite se da kabl za napajanje nije pritisnut ili oštećen.
- **UPOZORENJE:** Ne postavljajte prenosive produžne kablove sa više utičnica ili prenosive akumulatorne iza uređaja.
- Ne upotrebljavajte produžne kablove ili neuzemljene (sa dva kraka) adaptere.
- **OPASNOST:** Rizik od zatvaranja djece unutar uređaja. Prije nego što odbacite svoj stari frižider ili zamrzivač:
- -Skinite vrata.
- -Ostavite police unutar uređaja kako se djeca ne bi mogla igrati sa uređajem te samim time i zatvoriti unutar.
- Prije nego što pokušate instalirati neki prateći element, frižider morate isključiti iz struje.
- Rashladno sredstvo i pjenušavo sredstvo ciklopentan koji se koriste u okviru frižidera su zapaljivi. Stoga, prilikom odlaganja frižidera, držite ga dalje od izvora plamena i, umjesto da ga odložite sagorevanjem, predajte ga nekoj od specijaliziranih tvrtki sa odgovarajućim kvalifikacijama da omogući njegovo ponovno iskorištenje, jer ćete na taj način spriječiti štetne efekte po životnu sredinu ili druge opasnosti.
- Za EN standard: Ovaj uređaj mogu upotrebljavati djeca starosti od 8 ili više godina i osobe sa umanjanim fizičko-senzornim ili mentalnim sposobnostima ili nedostatkom iskustva i znanja ukoliko su pod nadzorom ili su upućeni u sigurnosno korištenje uređaja i shvaćaju opasnosti koje njegova upotreba nosi. Djeca se ne smiju igrati uređajem. Djeca ne smiju obavljati čišćenje i korisničko održavanje uređaja bez nadzora.
- Za IEC standard: Ovaj uređaj ne treba da koriste osobe (uključujući djecu) sa umanjanim fizičko-senzornim ili mentalnim sposobnostima ili nedostatkom iskustva i znanja, osim ukoliko su pod nadzorom ili ako ih je za korištenje uređaja obučila osoba odgovorna za njihovu sigurnost.
- Djecu je potrebno nadgledati kako biste bili sigurni da se ne igraju uređajem.

Značenje simbola sigurnosnih upozorenja



Ovo je simbol za zabranu. Svako nepoštovanje uputstava označenih ovim simbolom za rezultat može imati oštećenje proizvoda ili ugrožavanje osobne sigurnosti korisnika.



Ovo je simbol za upozorenje. Neophodno je strogo poštovanje uputstava označenih ovim simbolom; u suprotnom, može doći do oštećenja proizvoda ili do povreda.



Ovo je simbol za oprez. Uputstva označena ovim simbolom zahtijevaju poseban oprez. Nedovoljan oprez za rezultat može imati lakše ili umjerene ozljede ili oštećenje proizvoda.

Upozorenja u vezi sa električkom

- Ne izvlačite utikač za napajanje frižidera iz utičnice tako što ćete vući kabl za napajanje. Čvrsto uhvatite utikač i izvucite ga direktno iz utičnice.
- Kako biste omogućili sigurnosnu upotrebu, ne oštećujte kabl za napajanje i ne koristite uređaj ukoliko je kabl za napajanje oštećen ili istrošen.
- Ukoliko dođe do pojave buke, neugodnog mirisa ili dima, odmah izvucite utikač za napajanje iz struje i obratite se distributeru ili lokalnom ovlaštenom serviseru.
- Koristite utičnicu namijenjenu za ovaj uređaj i vodite računa da na istoj utičnici ne budu priključeni drugi električni uređaji.
- Utikač za napajanje treba da ima dobar kontakt sa utičnicom; u suprotnom, može doći do požara.
- Uvjerite se da je elektroda za uzemljenje u utičnici opremljena pouzdanom linijom za uzemljenje.
- Ukoliko dođe do curenja plina ili drugih zapaljivih plinova, zatvorite ventil za plin koji curi, a zatim otvorite vrata i prozore. Ne isključujte frižider i druge električne uređaje iz struje, jer pojava iskre može uzrokovati požar.
- Ne stavljajte električne uređaje na ovaj uređaj, osim ukoliko su u pitanju tipovi uređaja preporučeni od strane proizvođača.

Upozorenja u vezi sa upotrebom

- Nemojte proizvoljno demontirati ili ponovo sklapati frižider, niti oštećivati instalacije za cirkuliranje rashladnog sredstva; održavanje uređaja mora obaviti kvalificirana osoba
- Kako bi se izbjegla opasnost, zamjenu oštećenog kabla za napajanje mora obaviti proizvođač, njegov sektor za održavanje ili slične kvalificirane osobe.
- Razmaci između vrata frižidera i između vrata i tijela frižidera su mali; ne stavljajte ruke u ovaj prostor kako biste izbjegli povređivanje prstiju. Vrata frižidera zatvarajte lagano kako biste izbjegli padanje predmeta.
- Kako biste izbjegli pojavu promrzlina, ne uzimajte vlažnim rukama hranu ili posude iz komore za zamrzavanje u toku rada frižidera; ovo se posebno odnosi na metalne posude.
- Molimo vas da ne zavljučite ruke ispod ili iza uređaja, kako biste spriječili povređivanje
- Ne dozvoljavajte djeci da ulaze u frižider ili da se penju po njemu; u suprotnom, može doći do gušenja ili povređivanja djece prilikom pada.
- Ne stavljajte teške predmete na gornju površinu frižidera, jer ovakvi predmeti mogu pasti prilikom otvaranja ili zatvaranja vrata, što za rezultat može imati nehotično povređivanje.
- U slučaju nestanka struje ili prilikom čišćenja, izvucite utikač iz utičnice. Ne povežite frižider na napajanje u toku narednih pet minuta kako biste spriječili oštećenje kompresora nastalo usljed više uzastopnih pokretanja.

Upozorenja u vezi sa sadržajem u uređaju

- Da biste spriječili oštećenja proizvoda ili pojavu požara, ne stavljajte u frižider zapaljiva, eksplozivna i isparljiva sredstva, kao ni predmete koji lako korodiraju.
- Da biste izbjegli pojavu požara, ne stavljajte zapaljive predmete blizu frižidera.
- Frižider je namijenjen za upotrebu u kućanstvima, kao što je čuvanje hrane; ne smije se koristiti ni u kakve druge svrhe, kao što su skladištenje krvi, ljekova ili bioloških proizvoda itd.

Upozorenja u vezi sa utroškom energije

1. Uređaji za rashlađivanje možda neće raditi ujednačeno (mogućnost otapanja sadržaja ili pretjeranog rasta temperature u pregradi za smrznutu hranu) ukoliko se tokom dužeg vremenskog perioda drže na temperaturama nižim od najniže vrijednosti temperaturnih opsega za koje je uređaj za rashlađivanje napravljen.
2. Ne treba prekoračivati period čuvanja preporučeni od strane proizvođača hrane za bilo koji tip hrane.
3. Neophodno je primijeniti mjere predostrožnosti za spriječavanje pretjeranog zagrijavanja smrznute hrane prilikom otapanja uređaja za rashlađivanje, poput umotavanja hrane u nekoliko slojeva novinskog papira.
4. Ključeve, koji se upotrebljavaju za vrata ili poklopce opremljene bravama i ključevima, treba držati van dosega djece, a ne u blizini uređaja za rashlađivanje, kako bi se spriječilo zaključavanje djece unutar uređaja.

Upozorenja u vezi sa odlaganjem



Rashladno sredstvo i pjenušavo sredstvo ciklopentan, koji se upotrebljavaju u frižideru, su zapaljivi. Stoga, prilikom odlaganja frižidera, držite ga dalje od izvora plamena i, umjesto da ga odložite sagorevanjem, predajte ga nekoj od specijaliziranih tvrtki sa odgovarajućim kvalifikacijama da omoguću njegovo ponovno iskorištavanje, jer ćete na taj način spriječiti štetne efekte po životnu sredinu ili druge opasnosti.



Prilikom odlaganja frižidera, demontirajte vrata i uklonite btrvu sa vrata, kao i police; vrata i police stavite na odgovarajuće mjesto kako biste spriječili zatvaranje djece unutar uređaja.



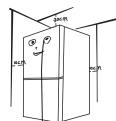
Pravilno odlaganje ovog proizvoda:

Ova oznaka ukazuje da ovaj proizvod ne treba odlagati zajedno sa ostalim otpadom iz kućanstava. Kako biste spriječili potencijalnu štetu po životnu sredinu ili zdravlje ljudi nastalu nekontroliranim odlaganjem otpada, odgovorno ga reciklirajte kako biste promovirali održivu ponovnu upotrebu materijalnih resursa. Molimo Vas da svoj rabljeni uređaj vratite putem sistema za vraćanje i prikupljanje otpada ili da kontaktirate trgovinu u kojoj ste proizvod kupili. Ovim putem se proizvod može reciklirati na način siguran po životnu sredinu.

PRAVILNA UPOTREBA FRIŽIDERA

Pozicioniranje

- Prije upotrebe, uklonite cjelokupnu ambalažu, uključujući jastučice na dnu, podmetače od pjene i selotejp unutar frižidera; odljepite zaštitni film sa vrata i tijela frižidera.
- Ostavite ambalažu i ostale dijelove van doseg djece kako biste sprečili pojavu rizika od gušenja.
- Držite dalje od topline i izbjegavajte direktno izlaganje suncu. Zamrzivač ne postavljajte na vlažna ili mokra mjesta da biste spriječili formiranje hrđe ili umanjenje efekta izolacije.
- Frižider nemojte prskati niti prati; ne stavljajte frižider na vlažna mjesta na kojima može lako doći u kontakt sa vodom, kako ovo ne bi nepovoljno uticalo na električnu izolaciju frižidera.
- Frižider se postavlja na dobro provjetreno mjesto u zatvorenom; podloga treba da bude ravna i čvrsta (ukoliko je uređaj nestabilan, zarotirajte toččić za niveliranje uljevo ili udesno kako biste ga podesili).
- Ne upotrebljavajte uređaj u okviru transportnih sredstava (poput broda i tako dalje).
- Da omogućite rasipanje topline, prostor iznad gornje površine frižidera treba da bude veći od 30 cm, a slobodni prostor između zadnjeg djela frižidera i zida treba da bude veći od 10 cm.

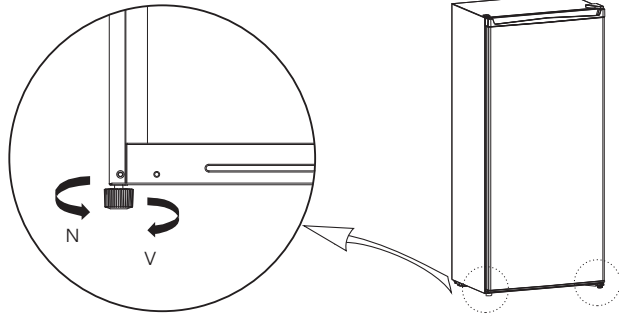


Mjere predostrožnosti prije postavljanja:

Prije postavljanja ili podešavanja pratećih elemenata, uvjerite se da je frižider isključen iz struje. Preduzmite sve mjere predostrožnosti da spriječite padanje ručke i povreda ljudi.

Nožice za niveliranje

Shematski prikaz
nožica za niveliranje

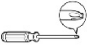





Slika iznad je prikazana isključivo u ilustrativne svrhe. Realna konfiguracija ovisit će od samog uređaja ili izjave distributera

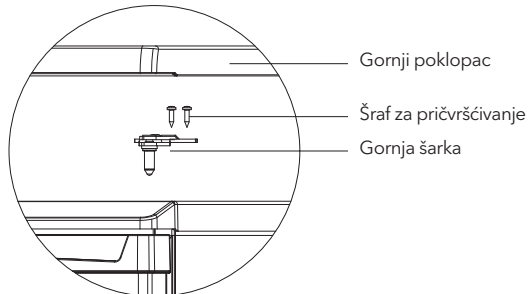
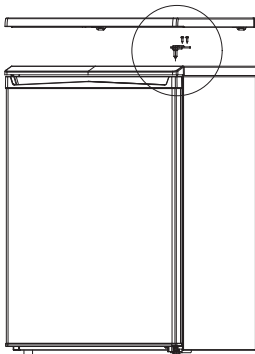
Postupak podešavanja:

- Da podignete frižider, nožice okrećite u smjeru kretanja kazaljke na satu;
- Da spustite frižider, nožice okrećite u smjeru suprotnom od kretanja kazaljke na satu;
- Desnu i ljevu nožicu podesite prema gore navedenoj proceduri tako da uređaj stoji horizontalno.

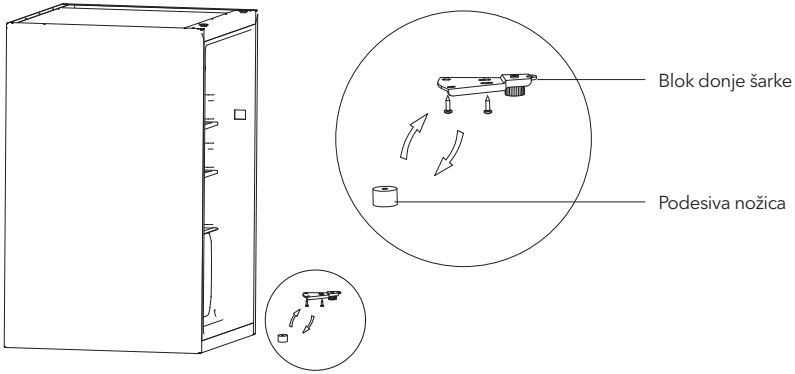
Promjena pozicije vrata sa desne na ljevu stranu i obrnuto

Popis alata koji treba da osigura korisnik			
	Križni odvijač		Spatula tanki, ravni odvijač
	Nasadni ključ od 5/16"		Krep traka

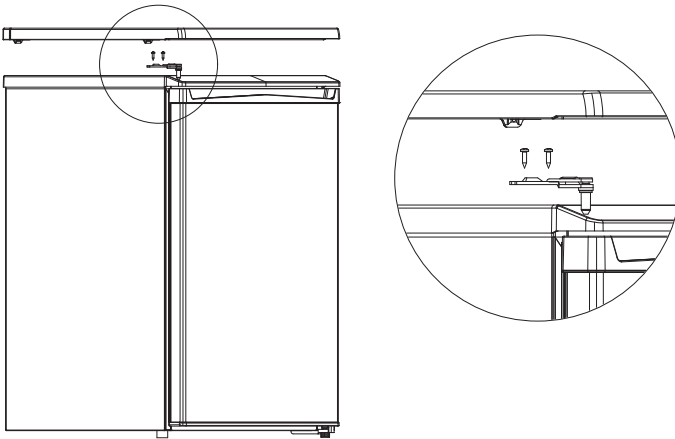
- Isključite frižider i izvadite sve predmete koji se nalaze na policama u vratima.
- Razmontirajte gornji poklopac, vijke za pričvršćivanje gornje šarke i skinite gornju šarku; tokom čitavog postupka, vrata držite u vertikalnom položaju kako biste izbjegli njihovo padanje.



3. Razmontirajte vrata, kao i blok donje šarke i podesivu nožicu, a zatim blok donje šarke i podesivu nožicu namontirajte na suprotnu stranu.



4. Postavite vrata na donju šarku i namontirajte gornju šarku, šrafove i gornji poklopac.

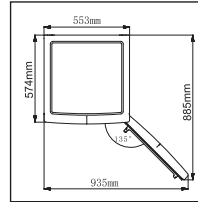


Zamjena lampice

Svaku zamjenu ili održavanje LED lampica treba obaviti proizvođač, njegov ovlašteni serviser ili osobe sa sličnim kvalifikacijama.

Početak upotrebe

- Prije prvog pokretanja, frižider ostavite da stoji dva sata prije nego što ga priključite na struju.
- Prije nego što stavite bilo kakvu svježu ili smrznutu hranu, frižider treba raditi 2-3 sata ili više od 4 sata tokom ljeta, kada je sobna temperatura povišena.



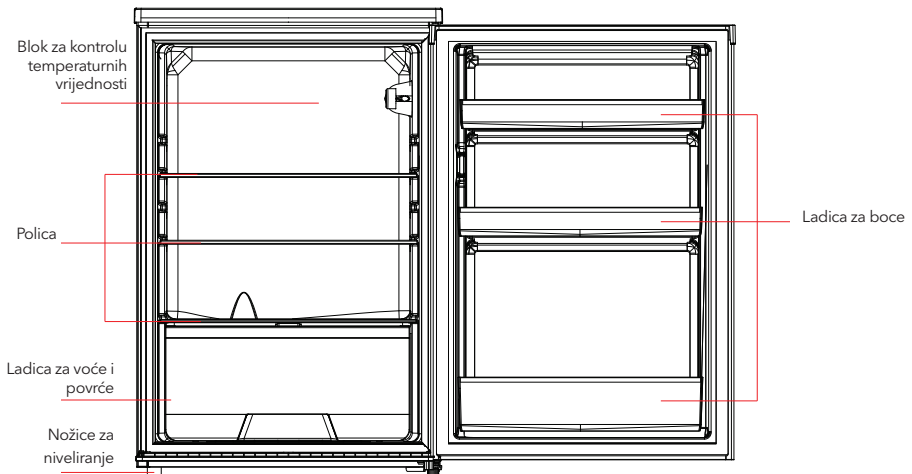
- Ostavite dovoljno prostora za odgovarajuće otvaranje vrata i ladica, ili onoliko prostora koliko je naveo distributer.

Savjeti za uštedu energije

- Uređaj treba postaviti u najhladniji dio prostorije, dalje od uređaja koji stvaraju toplinu ili grijanih kanala, kao i direktnih sunčevih zraka.
- Prije nego što je stavite u uređaj, vruću hranu ostavite da se ohladi do sobne temperature. Prepunjavanje uređaja primorava kompresor da radi duže. Hrana koja se hladi sporo može izgubiti na kvaliteti ili da se pokvari.
- Pobrinite se da, prije stavljanja u uređaj, hranu na odgovarajući način uvijete i da posude obrišete tako da budu suhi. Na ovaj način reducirate formiranje leda unutar uređaja.
- ladicu za odlaganje hrane u uređaju ne treba oblagati aluminijumskom folijom, papirom za pečenje ili papirnim ubrusima. Materijali koji se koriste za oblaganje utječu na cirkuliranje hladnog zraka, što umanjuje efikasnost uređaja.
- Organizujte i označite hranu kako biste rjeđe otvarali vrata uređaja i kraće tražili hranu. Odjednom izvadite sve što vam je potrebno i zatvorite vrata što je prije moguće.

STRUKTURA I FUNKCIJE

Glavne komponente

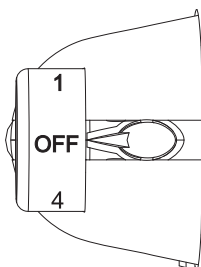


Slika iznad je prikazana isključivo u ilustrativne svrhe. Realna konfiguracija ovisit će od samog uređaja ili izjave distributera

Rashladna komora

- Rashladna komora je pogodna za odlaganje raznovrsnog voća, povrća, pića i druge hrane koja se konzumira u kratkom roku.
- Termički obrađenu hranu ne stavljajte u rashladnu komoru sve dok se ne ohladi do sobne temperature.
- Preporučljivo je da hranu hermetički zatvorite prije stavljanja u frižider.
- Staklene police možete postavljati na višim ili nižim nivoima kako biste dobili odgovarajući skladišni prostor
- **Napomena:** Stavljanje prevelike količine hrane nakon prvog uključivanja u struju može nepovoljno utjecati na funkciju zamrzavanja frižidera.

Funkcije



Cifre ne označavaju određenu temperaturu, već temperaturni nivo. „1“ označava najtoplije podešavanje „4“ označava najhladnije podešavanje Što je broj veći, realna temperatura unutar frižidera bit će niža. „OFF“ znači da uređaj ne radi.

Slika iznad je prikazana isključivo u ilustrativne svrhe. Realna konfiguracija ovisit će od samog uređaja ili izjave distributera

ODRŽAVANJE I BRIGA O FRIŽIDERU

Čišćenje cjelokupnog uređaja

- Da biste unaprijedili efekat hlađenja i uštedu energije, redovno čistite prašinu iza frižidera i na podlozi. Da izbjegnute stvaranje neugodnih mirisa, redovito čistite unutrašnjost frižidera. Za čišćenje se preporučuju meke krpe ili spužve potopljeni u vodu sa nekorozivnim neutralnim deterdžentom. Na kraju postupka, frižider treba očistiti čistom vodom i suhom krpom. Prije nego što ga priključite na struju, otvorite vrata uređaja, kako bi se prirodno osušio.
- Ne upotrebljavajte tvrde četke, čelične žice za čišćenje, žičane četke, abrazivna sredstva poput pasta za zube, organske rastvarače (poput alkohola, acetona, ulja banane itd.), kipuću vodu, kisela ili alkalna sredstva prilikom čišćenja frižidera s obzirom da navedena sredstva mogu da oštete površine i unutrašnjost frižidera.
- Ne ispirajte vodom da ne biste oštetili materijale koji pružaju električnu izolaciju.



Prilikom otapanja i čišćenja, isključite frižider iz struje.

Otapanje

- Isključite kabl za napajanje iz struje.
- Izvadite hranu iz frižidera i odložite je na odgovarajući način kako biste spriječili njeno kvarenje, a zatim pripremite posudu za vodu u kojoj će se prikupljati voda nastala prilikom otapanja.
- Preporučuje se da se voda nastala prilikom otapanja upija sa površinskog sloja i isparivača suhom krpom, koju ćete zatim iscijediti. Ponavljajte postupak sve dok se proces otapanja ne završi.
- Da eliminirate led, možete iskoristiti sobnu temperaturu za prirodno otapanje, a možete koristiti i lopaticu za led (upotrebljavajte plastične ili drvene lopatice za led kako biste spriječili oštećivanje površinskog sloja).
- Također, možete upotrebiti i odgovarajuću količinu kipuće vode da ubrzate proces otapanja, u kombinaciji sa suhom krpom kojom ćete pokupiti vodu nakon otapanja.
- Vratite cjelokupnu hranu u uređaj i ponovo ga uključite u struju.

Prestanak rada

- Nestanak struje: Ukoliko dođe do nestanka struje, čak i tokom ljeta, hrana se unutar uređaja može držati po nekoliko sati; u toku nestanka struje, treba smanjiti broj otvaranja vrata i ne treba stavljati dodatnu svježu hranu u uređaj.
- Dugo nekorišćenje: Uređaj treba isključiti iz struje, a zatim očistiti; vrata treba ostaviti otvorena kako bi se spriječio stvaranje neugodnih mirisa.
- Premještanje: Prije premještanja frižidera, izvadite sve predmete iz njegove unutrašnjosti, pričvrstite staklene razdeonike, posudu za povrće, ladice komore za zamrzavanje itd. selotejpom i zategnite nožice za niveliranje; vrata zatvorite i pričvrstite ih selotejpom. Tokom premještanja, uređaj ne postavljajte u obrnuti ili horizontalni položaj i nemojte ga tresti; stupanj nagnutosti uređaja tokom premještanja ne smije biti više od 45°. Prilikom premeštanja, ne pridržavajte uređaj za vrata ili šarke.



Kada ga uključite, uređaj će neprekidno raditi. Generalno, ne prekidajte rad uređaja; u suprotnom, može doći do umanjenja radnog vijeka proizvoda.

OTKLANJANJE PROBLEMA

Dolje navedene jednostavne probleme možete pokušati riješiti ih sami. Ukoliko ih nije moguće riješiti, obratite se sektoru za usluge održavanja.

Prestanak rada	Provjerite da li je uređaj priključen na struju ili da li je kontakt između utikača i utičnice dobar Provjerite da li je napon pre nizak Provjerite da li je došlo do nestanka struje ili do iskakanja određenih osigurača
Mirisi	Hranu koja odaje jače mirise treba dobro uviti Provjerite da li se neka hrana pokvarila Očistite unutrašnjost frižidera
Dugotrajan rad kompresora	Normalno je da frižider duže radi tokom ljeta, kada je vanjska temperatura povišena Ne preporučuje se da odjednom stavite preveliku količinu hrane u uređaj Prije stavljanja u uređaj, pričekajte da se hrana ohladi Vrata se pretjerano često otvaraju
Lampica se ne uključuje	Provjerite da li je frižider priključen na struju i da li je lampica oštećena Provjerite da li je žarulja zamjenjena od kvalificirane osobe
Vrata frižidera se ne zatvaraju dobro	Ambalaža sa hranom blokira vrata uređaja Prevelika količina hrane je stavljena u uređaj Frižider je nakrenut
Glasna buka	Provjerite da li je podloga horizontalna i da li je frižider stabilno postavljen Provjerite da li su prateći elementi postavljeni na odgovarajuća mesta
Brtva za vrata ne prijanja dovoljno čvrsto	Uklonite strane stvari sa brtve za vrata Zagrijte brtvu vrata, a zatim je ohladite kako biste je osvježili (da biste je zagrijali, propuštite je fenom za kosu ili upotrijebite vrelu krpku).
Posuda za vodu preliva	U komori ima previše hrane ili hrana koja se čuva sadrži previše vode, što za rezultat ima intenzivno otapanje Vrata nisu dobro zatvorena, što za rezultat ima formiranje leda usljed upliva zraka i povećano stvaranje vode usljed otapanja
Pregrijan ugradni dio	Toplina ugrađenog kondenzatora se rasipa kroz ugradbeni dio, što je normalna pojava Kada se ugradbeni dio pregrije usljed povišene sobne temperature, čuvanja prevelike količine hrane ili prestanka rada kompresora, osigurajte neprekidnu ventilaciju, kojom ćete omogućiti rasipanje toplote.

Formiranje površinskog kondenza	Formiranje kondenza na vanjskim površinama i brtvama na vratima frižidera predstavlja normalnu pojavu kada je koncentracija vlage u prostoriji previsoka. Jednostavno obrišite kondenz čistom krpom.
Neuobičajena buka	Zujanje: Tokom rada, kompresor može da zuji, što se posebno glasno čuje na početku i na kraju rada. Ova pojava je normalna. Škripanje: Rashladno sredstvo koje teče unutar uređaja može da proizvodi škripu, što predstavlja normalnu pojavu.

Tabela 1 Klimatske klase

Klasa	Simbol	Raspon sobne temperature °C
Prošireno umjerena	SN	+10 do +32
Umjerena	N	+ 16 do +32
Suprotropska	ST	+16 do + 38
Tropska	T	+ 16 do + 43

BIZTONSÁGI FIGYELMEZTETÉSEK

FIGYELMEZTETÉS:



FIGYELEM: Tűzveszélyes / gyúlékony anyagok

BIZTONSÁGI AJÁNLÁSOK:

- Ezt a készüléket háztartási célokra tervezték. Irodák és egyéb munkahelyek személyzeti konyháiban, családi házakban, szállodákban és motelekben, egyéb lakóhely jellegű környezetekben, panziókban, vendéglátóhelyeken és hasonló, nem kiskereskedelmi célú helyiségekben használható.
- Ha a tápkábel megsérül, a további veszélyek elkerülése érdekében azt csak a gyártó, annak szakszerve, vagy egy megfelelő végzettséggel rendelkező szakember cserélheti ki.
- Ne tároljon robbanásveszélyes anyagokat, például gyúlékony hajtóanyagot tartalmazó aeroszolos flakonokat a készülékben.
- A készüléket karbantartás és tisztítás idejére áramtalanítani kell.
- FIGYELEM:** Tartsa szabadon a szellőzőnyílásokat
- FIGYELEM:** A leolvasztási folyamat felgyorsítására ne használjon a gyártó által nem javasolt mechanikus, vagy más eszközöket.
- FIGYELEM:** Ne rongálja meg a hűtőközeg kört.
- FIGYELEM:** Ne használjon elektromos készülékeket a készülék élelmiszer tároló rekeszeiben kivéve, ha azokat a gyártó kifejezetten ajánlja.
- FIGYELEM:** A készüléket a helyi előírásoknak megfelelően ártalmatlanítsa a gyúlékony hűtőközeg miatt.
- FIGYELEM:** A készülék elhelyezésekor ügyeljen arra, hogy a tápkábel ne akadjon be vagy sérüljön meg.
- FIGYELEM:** Ne tároljon hosszabbítókat a készülék mögött.
- Ne használjon hosszabbítót vagy földeletlen (kétágú) adaptereket.
- VESZÉLY:** Gyermekes csapdába esésének veszélye. Mielőtt kidobja régi hűtőszekrényt vagy fagyasztót:
 - Vegye le az ajtókat.
 - Hagyja a polcokat a helyükön, hogy a gyerekek ne tudjanak könnyen bemászni a készülékbe.
- Áramtalanítsa a készüléket a tartozékok behelyezésekor.
- A hűtőszekrényhez használt hűtőközeg és a ciklopentán habosító anyag rendkívül gyúlékony. A nem használt hűtőszekrényt mindenféle tűzforrástól távol kell tartani, és a megfelelő képzéssel rendelkező vállalkozásnak kell ártalmatlanítania.
- EN szabványhoz: A készüléket 8 éven aluli gyermekek, valamint fizikai, érzékszervi vagy értelmi képességeikben korlátozott, illetve a készüléket és annak használatát nem ismerő személyek csak olyan felügyelete mellett használhatják, aki a berendezés biztonságos módon történő használatára és az ezzel járó veszélyekre vonatkozó szabályokat megismerte.
- IEC-szabványhoz: A készüléket nem használhatják olyan személyek (beleértve a gyermekeket is), akik csökkent fizikai, érzékszervi vagy szellemi képességekkel rendelkeznek, vagy nem rendelkeznek kellő tapasztalattal és ismeretekkel, kivéve, ha a biztonságukért felelős személy felügyeli vagy oktatja őket a készülék használatára vonatkozóan)
- Ügyeljen rá, hogy gyermekei ne játszanak a készülékkel.

A figyelmeztető szimbólumok jelentése



Ez egy tiltó szimbólum. Az ezzel a szimbólummal jelölt utasítások be nem tartása a termék károsodását eredményezheti, vagy veszélyeztetheti a felhasználó épségét.



Ez egy figyelmeztető szimbólum. Az ezzel a szimbólummal jelölt utasításokat szigorúan be kell tartani; ellenkező esetben a termék károsodása vagy személyi sérülés következhet be.



Ez egy figyelmeztető szimbólum. Megfelelő óvintézkedésekre van szükség, különben kisebb vagy közepes mértékű sérülések vagy a termék károsodása következik be.

Elektromossággal kapcsolatos figyelmeztetések

- Soha ne a tápkábelnél fogva húzza ki a fagyasztó hálózati csatlakozóját. Fogja meg határozottan a villásdugót, és úgy húzza ki azt a konnektorból.
- A biztonságos használat érdekében semmilyen körülmények között ne rongálja meg a tápkábelt, ne használja, ha az megsérül.
- Ha a tápkábel megsérül, a további veszélyek elkerülése érdekében azt csak a gyártó, annak szakszervize, vagy egy megfelelő végzettséggel rendelkező szakember cserélheti ki.
- A hálózati csatlakozónak stabilan kell érintkeznie a konnektorral, különben tüzet okozhat. Ügyeljen arra, hogy a hálózati aljzat földelő elektródája megbízható földelő vezetékkel legyen ellátva.
- Zárja el a biztonsági szelepet, majd nyissa ki az ajtókat és ablakokat, ha gáz és más gyúlékony gázok szivárgását észleli. Ne húzza ki a hűtőszekrényt és más elektromos készülékeket, tekintettel arra, hogy az esetlegesen keletkező szikra tüzet okozhat.
- A biztonság érdekében nem ajánlott a készülék tetejére rizsfőzőket, mikrohullámú sütőket és egyéb, a gyártó által nem ajánlott készülékeket elhelyezni. Ne használjon elektromos készülékeket az ételtartó edényben.

Figyelmeztetések a használatra vonatkozóan

- Ne szerelje szét vagy építse át a hűtőszekrényt, és ne rongálja meg a hűtőkört; a készülék karbantartását minden esetben szakembernek kell elvégeznie.
- Ha a tápkábel megsérül, a további veszélyek elkerülése érdekében azt csak a gyártó, annak szakszervize, vagy egy megfelelő végzettséggel rendelkező szakember cserélheti ki.
- A hűtőszekrény ajtajai között, valamint az ajtók és a hűtőszekrénytest között a rések kicsik, ügyeljen arra, hogy ne tegye a kezét ezekre a területekre. Kérjük, legyen óvatos, amikor becsukja a hűtőszekrény ajtaját.
- Ne érjen a fagyasztórekeszben lévő élelmiszerekhez nedves, vizes kézzel, mert fagyási sérüléseket szenvedhet.
- Kérjük, ne tegye a kezét a készülék alá vagy mögé, nehogy megsérüljön.
- Ne engedje, hogy gyermeke a hűtőszekrénybe másszon vagy felmásszon rá, mert súlyos sérüléseket szenvedhet.
- Ne helyezzen nehéz tárgyakat a hűtőszekrény tetejére, mert az ajtó becsukásakor vagy kinyitásakor azok leeshetnek, és balesetet okozhatnak.
- Áramszünet vagy tisztítás esetén húzza ki a villásdugót. Öt percen belül ne csatlakoztassa újra a hűtőszekrényt az áramforráshoz, hogy elkerülje a kompresszor károsodását.

Figyelmeztetések az elhelyezéshez

- Ne tegyen gyúlékony, robbanásveszélyes, illékony, vagy erősen maró dolgokat a hűtőszekrénybe.
- A tüzesetek elkerülése érdekében ne helyezzen gyúlékony tárgyakat a hűtőszekrény közelébe.
- A hűtőszekrény háztartási használatra, például élelmiszerek tárolására szolgál; nem használható más célra, például vér, gyógyszerek vagy biológiai termékek stb. tárolására.

Figyelmeztetések

1. Előfordulhat, hogy a hűtőkészülék nem hűt egyenletesen a fagyasztóba helyezett, még meleg élelmiszerek miatt, vagy ha hosszabb időn keresztül, magasabb hőmérsékleti viszonyok között üzemelteti a készüléket.
2. Nem szabad túllépni az élelmiszer-gyártók által ajánlott tárolási idő(ke)t semmilyen élelmiszer esetében.
3. Leolvasztás idejére a fagyasztóban tárolt élelmiszereket érdemes több rétegni újságpapírba tekerni, hogy lelassítsa azok felolvadását.
4. Mindig gondosan zárja be készülék ajtajait, nehogy egy gyermek bemászhatson a készülékbe.

Figyelmeztetések az ártalmatlanításra vonatkozóan



A fagyasztószekrényhez használt hűtőközeg és a ciklopentán habosító anyag rendkívül gyúlékony. A nem használt hűtőszekrényt mindenféle tűzforrástól távol kell tartani, és a megfelelő képesítéssel rendelkező vállalkozásnak kell ártalmatlanítania.



Mielőtt kidobja régi hűtőszekrényét vagy fagyasztóját vegye le az ajtókat és hagyja a polcokat a helyükön, hogy a gyerekek ne tudjanak könnyen bemászni a készülékbe

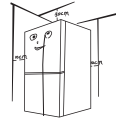


A szimbólum azt jelzi, hogy a helyi törvényeknek és előírásoknak megfelelően a készüléket a háztartási hulladéktól elkülönítve kell a hulladékba helyezni. Ha a termék eléri élettartama végét, vigye a helyi hatóságok által kijelölt gyűjtőpontra. A készülék elkülönített módon történő gyűjtése és újrahasznosítása segít megóvni a természeti erőforrásokat, és biztosítja, hogy az újrahasznosítás az emberi egészség és a környezet védelmével összhangban történjen. A termék újrahasznosítása érdekében további információért forduljon az illetékesekhez, a helyi hulladékgyűjtő szolgáltatóhoz vagy ahhoz az üzlethez, ahol a terméket megvásárolta.

A HŰTŐSZEKRENY HELYES HASZNÁLATA

Elhelyezés

- A fagyasztó használata előtt távolítsa el az összes csomagolóanyagot, beleértve az alsó habszivacs párnákat, valamint a fagyasztó belsejében lévő szalagokat is, tépje le az ajtón és a fagyasztó házán lévő védőfóliát.
- Tegye a csomagolóanyagokat és egyéb alkatrészeket gyermekek számára elérhetetlen helyre, hogy elkerülje a fulladásveszélyt.
- Tartsa távol hőforrásoktól és a közvetlen napfénytől. Ne tegye a fagyasztót nedves vagy vizes helyre, hogy elkerülje a rozsdásodást vagy a szigetelőhatás csökkenését.
- Ne permetezze vagy mossa le a hűtőszekrényt folyadékkal; ne tegye a készüléket olyan nedves helyre, ahol könnyen fröccsenhet rá víz.
- A készüléket jól szellőző, zárt helyen kell elhelyezni; a talajnak vízszintesnek és szilárdnak kell lennie.
- Kérjük, ne használja a készüléket közlekedési eszközökön (például hajón, lakóautóban, stb.)
- A készülék tetejétől legalább 30 cm, és a hőelvezetés megkönnyítése érdekében a két oldaltól és a hátsó oldaltól való távolságnak legalább 10 cm-nek kell lennie.



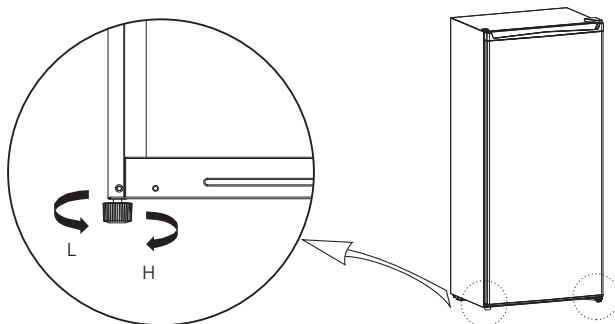
Telepítés előtti óvintézkedések:

A tartozékok beszerelése vagy beállítása előtt áramtalanítani kell a készüléket.

Óvintézkedéseket kell tenni annak érdekében, hogy a fogantyú leesése ne okozhasson személyi sérülést.

Szintezőlábak

A kiegyenlítő lábak
sematikus ábrája

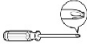





(A fenti kép csak tájékoztató jellegű. A tényleges konfiguráció ettől eltérő lehet.)

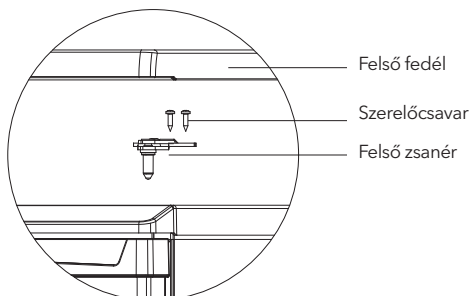
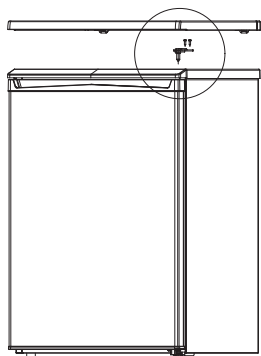
Beállítás:

- A hűtőszekrény megemeléséhez forgassa el a lábakat az óramutató járásával megegyező irányba;
- A hűtőszekrény leengedéséhez forgassa a lábakat az óramutató járásával ellentétes irányba;
- Állítsa be a készüléket a jobb és a bal lábak segítségével a fentiek alapján vízszintbe.

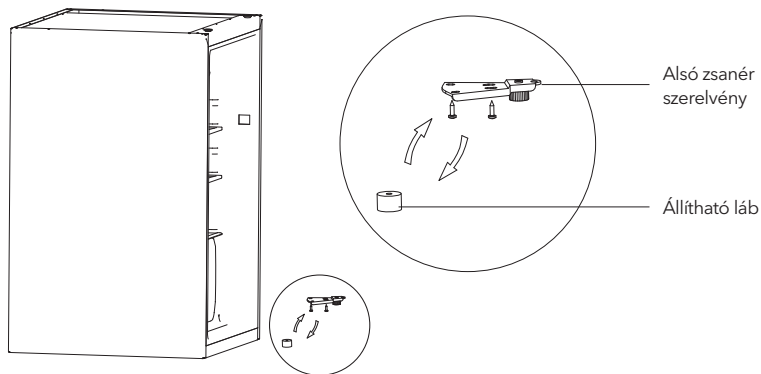
Ajtó nyitásirányának megváltoztatása

Szükséges szerszámok (nem része a csomagnak)			
	Csillagcsavarhúzó		Spakli Laposfejű csavarhúzó
	5/16" dugókulcs		Maszkolószalag

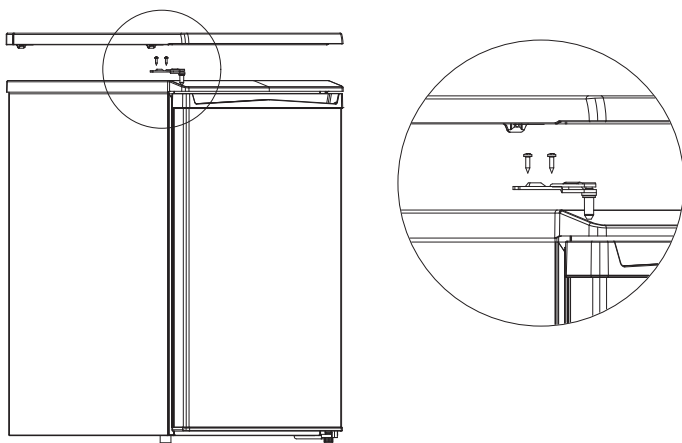
- Kapcsolja ki a hűtőszekrényt, és távolítson el minden tárgyat az ajtótalpáról.
- Szerelje le a felső fedelet, szerelje le a felső zsanér csavarjait, és távolítsa el a felső zsanért, kérjük, az egész folyamat során tartsa függőlegesen az ajtót, hogy elkerülje a leesést.



3. Szerelje szét az ajtót, az alsó zsanérszerelvényt és az állítható lábat, majd szerelje át az alsó zsanérszerelvényt és az állítható lábat a másik oldalra.



4. Helyezze az ajtót az alsó zsanérra, és szerelje össze a felső zsanért, a csavarokat és a felső burkolatot.

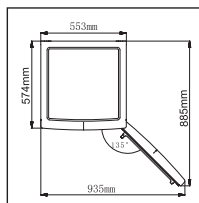


Az izzó cseréje

A LED-lámpák bármilyen cseréjét vagy karbantartását csak a gyártó, annak szakszerveze vagy megfelelő képesséssel rendelkező személy végezheti el.

Használatba vétel

- Első indítás előtt pihentesse legalább fél órát a készüléket, mielőtt csatlakoztatja az áramforráshoz.
- Járassa a készüléket 2-3 órát mielőtt bepakolja a friss vagy fagyasztott élelmiszereket; magasabb környezeti hőmérsékletben ez 4 órát vesz igénybe.



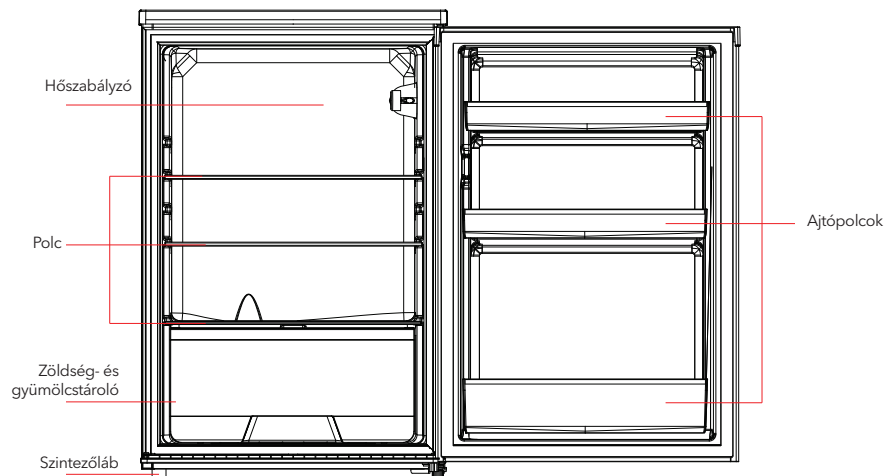
- Biztosítson elegendő helyet az ajtók nyitásához.

Energiatakarékossági tippek

- A készüléket a helyiség leghűvösebb részén kell elhelyezni, távol a hőleadó készülékektől, fűtőcsövektől és a közvetlen napfénytől.
- A forró ételeket előbb hűtse szobahőmérsékletűre, mielőtt hűtőbe teszi. A készülék túlterhelése miatt a kompresszor hosszabb ideig működik és több energiát fogyaszt.
- Ügyeljen arra, hogy az élelmiszerek megfelelően be legyenek csomagolva, törölje szárazra a tárolóedényeket, mielőtt a készülékbe helyezi azokat. Ez csökkenti a jégképződést a készülék belsejében.
- A készülék rekeszeit nem szabad alumíniumfóliával, viaszpapírral vagy papírtörővel kibélelni. A különböző bélelek akadályozzák a hideg levegő megfelelő áramlását és így a készülék kevésbé lesz hatékony. Rendszerezze és címkézze fel az élelmiszereket, hogy csökkentse az ajtónyitások és a hosszú keresgélések számát. Egyszerre csak annyi terméket vegyen ki, amennyire szükség van, és a lehető leghamarabb zárja be az ajtót.

A KÉSZÜLÉK RÉSZEI

Főbb alkatrészek

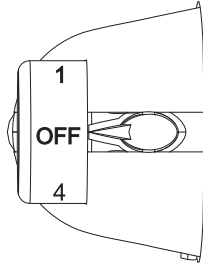


(A fenti kép csak tájékoztató jellegű. A tényleges konfiguráció ettől eltérő lehet.)

Hűtőrekesz

- A hűtőrekesz alkalmas különféle gyümölcsök, zöldségek, italok és egyéb rövid távon fogyasztandó élelmiszerek tárolására.
- A rekeszbe mindaddig nem szabad frissen elkészült élelmiszereket helyezni, amíg azok szobahőmérsékletre nem hűlnek (pl. főzés után közvetlenül).
- Az élelmiszereket a hűtőbe helyezés előtt ajánlott becsomagolni.
- Az üvegpolicok szabadon állíthatóak, hogy megfelelő tárolóhely álljon rendelkezésre
- **Megjegyzés:** Ha közvetlenül az első bekapcsolás után pakolja meg a hűtőt, akkor a megfelelő hőmérsékletre hűtés lényegesen több időt vesz igénybe.

Funkciók



A számok nem konkrét beállított hőmérsékletet, hanem hőmérsékletszintet jelentenek. Az "1" a legmelegebb beállítást jelenti, a "4" a leghidegebbet. Minél magasabb a szám, annál alacsonyabb a tényleges hőmérséklet a hűtőszekrényben. Az "OFF" a kikapcsolt állapotot jelenti.

(A fenti kép csak tájékoztató jellegű. A tényleges konfiguráció ettől eltérő lehet.)

TISZTÍTÁS ÉS KARBANTARTÁS

Általános tisztítás

- A fagyasztó mögött és a földön rendszeresen fel kell takarítani a hűtési jó hatásfoka és az energiatakarékosság javítása érdekében. A fagyasztó belsejét rendszeresen tisztítani kell a szagok kialakulásának elkerülése érdekében. A tisztításhoz egy vízbe mártott puha törülköző vagy szivacs és nem korrozív semleges tisztítószerek javasoltak. A fagyasztót végül tiszta vízzel és száraz ruhával kell megtisztítani. A tisztítás után nyissa ki az ajtót, és hagyja, hogy magától megszáradjon.
- Ne használjon kemény keféket, drótkeféket , súrolószereket (akár fogkrém is), szerves oldószereket (pl. alkohol , aceton, banánolaj stb.), forró vizet, savas vagy lúgos elemeket, amelyek károsíthatják a fagyasztó felületét és belsejét. A forrásban lévő víz és a szerves oldószerek, mint például a benzol, deformálhatják vagy károsíthatják a műanyag alkatrészeket.
- Ne öblítse le közvetlenül vízzel vagy más folyadékkal a tisztítás során a készüléket, hogy elkerülje a rövidzárlatot



Tisztítás előtt áramtalanítsa a készüléket!

Leolvasztás

- Húzza ki a tápkábelt a konnektorból
- Vegye ki az élelmiszereket a hűtőből és készítsen elő egy edényt a leolvadt jég összegyűjtéséhez.
- Javasoljuk, hogy a belső felületeken és a párologtatón lévő vizet száraz törülközővel törölje fel. Ismételje meg a műveletet, amíg a leolvasztás be nem fejeződik.
- Ha elkezdett felolvadni a jég réteg, akkor használjon egy műanyagból, vagy fából készült lapátot a jég réteg lekaparásához.
- A leolvasztás felgyorsításához tegyen egy kis mennyiségű forró vizet egy edénybe a polcra, a leolvasztás után pedig száraz törülközővel száríthatja fel a vizet.
- A folyamat végén tegyen vissza minden élelmiszert, és kapcsolja be újra a készüléket.

Üzemen kívül

- Áramkimaradás: a készülékben lévő ételek több órán át eltarthatók áramszünet esetén, még nyáron is; áramszünet idején kevesebbszer nyissa ki az ajtót, és a ne tegyen be több friss élelmiszert.
- Ha hosszabb ideig nem használja a készüléket: A készüléket ki kell húzni a konnektorból, majd meg kell tisztítani; ezután hagyja nyitva az ajtókat a szagok kialakulásának elkerülése érdekében.
- Mozgatás: A hűtőszekrény mozgatása előtt vegye ki az összes tárgyat belülről, rögzítse az üvegfalakat, a zöldségtartót, a fagyasztótér fiókjait stb. ragasztószalaggal, és tekerje be a szintező lábakat; zárja be az ajtókat, és rögzítse azokat is ragasztószalaggal. Mozgatás közben a készüléket nem szabad fejfel lefelé vagy vízszintesen lefektetni, illetve rázogatni; a mozgatás közben ne döntse meg 45°-nál jobban a készüléket.



A fagyasztó elindítása után a folyamatos üzemmód ajánlott. Normál körülmények között ne állítsa le a fagyasztót, mert ezzel befolyásolja a fagyasztó élettartamát.

HIBAEELHÁRÍTÁS

A következő egyszerű problémákat a felhasználó is kezelheti. Kérjük, hívja az értékesítés utáni szervizt, ha ezek nem rendeződnek.

A készülék nem működik	Ellenőrizze, hogy a készülék be van-e dugva a konnektorba és hogy az jól érintkezik-e. Ellenőrizze, hogy a feszültség megfelelő-e. Ellenőrizze, hogy nincs-e áramkimaradás, vagy a biztosíték nem oldott-e le.
Különös szagok	A szagos élelmiszereket szorosan be kell csomagolni. Ellenőrizze, hogy nincs-e romlott élelmiszer. Tisztítsa meg a hűtőszekrény belsejét.
A kompresszor hosszantartó működése	Normális, hogy a kompresszor hosszabb ideig működik nyáron, amikor a környezeti hőmérséklet magasabb. Ne tegyen egyszerre túl sok élelmiszert a fagyasztóba. Ne tegye be az élelmiszereket, amíg azok le nem hűlnek. A készülék ajtajának gyakori kinyitása.
A világítás nem működik	Ellenőrizze, hogy a fagyasztó csatlakoztatva van-e a tápegységhez, vagy a lámpa nem sérült-e meg. Cseréltesse ki az izzót egy szakemberrel.
Az ajtó nem záródik megfelelően	A hűtőben lévő élelmiszerek akadályozzák az ajtók záródását. A hűtőszekrény megdől.
Hangos üzemelés	Sík-e a padló, stabilan van-e elhelyezve a fagyasztó? Megfelelően vannak-e elhelyezve a készülék tartozékai?
Az ajtó tömítése nem megfelelő	Távolítsa el az ajtó tömítésen lévő idegen anyagokat. Melegítse fel az ajtó tömítést, majd a helyreállításához hűtse le.
A víztálca túlsordul	Túl sok élelmiszer van a hűtőben, vagy a tárolt élelmiszer túl sok vizet tartalmaz, ami erős páralecsapódást eredményez. Az ajtó nem záródik megfelelően, ami miatt a környezeti levegő bejut a hűtőszekrénybe, és a pára ott csapódik le.
Meleg készülékház	A beépített kondenzátor hőelvezetése a házon keresztül történik. Ha a készülékház a magas környezeti hőmérséklet és a túl sok élelmiszer tárolása miatt felforrósodik, ajánlott szellőztetést biztosítani a hőelvezetés megkönnyítése érdekében.

Felületi kondenzáció	A hűtőszekrény külső felületén és ajtótomítésein jelentkező páralecsapódás normális, ha a környezeti páratartalom túl magas. Ezt könnyen letörölheti egy tiszta ruhadarabbal.
Rendellenes zaj	Zúgás: A kompresszor működés közben zúgó hangot adhat ki, ami különösen indításkor vagy leállításkor hangos. Ez normális jelenség. Nyikorgó hang: A készülék belsejében áramló hűtőközeg nyikorgó hangot adhat ki, ami normális jelenség.

1. táblázat Éghajlati osztályok

Osztály	Szimbólum	Környezeti hőmérséklet- tartomány °C
Kiterjesztett mérsékelt égöv	SN	+10 to +32
Mérsékelt égövi	N	+ 16 to +32
Szubtrópusi	ST	+16 to + 38
Trópusi	T	+ 16 to + 43

БЕЗБЕДНОСНИ ПРЕДУПРЕДУВАЊА

Предупредување:



Предупредување: ризик од пожар / запаливи материјали

ПРЕПОРАКИ:

- Овој уред е наменет за употреба во домаќинства и слични опкружувања од типот на куќи за персоналот во продавници, канцеларии и други работни средини; земјоделски домаќинства и хотели, мотели и останати објекти од резиденцијален тип, каде што се става на располагање на клиентите; објекти кои нудат услуги на ноќевање со појадок; кетеринг и слични непродажни намени.
- Доколку кабелот за напојување е оштетен, неговата замена е потребно да ја изврши производителот, негов овластен сервисер или лице со слични квалификации како би се избегнала појава на опасности.
- Не чувајте експлозивни супстанции од типот на аеросолни боци со потиснувачки гас во уредот.
- Уредот е потребно да го исклучите од струја по употребата, а пред неговото корисничко одржување.
- **ПРЕДУПРЕДУВАЊЕ:** Водете сметка вентилациските отвори да не бидат блокирани во рамки на вградениот дел или во вградените конструкции за уредот.
- **ПРЕДУПРЕДУВАЊЕ:** Не употребувајте механички средства или други постапки за забрзување на процесот на одмрзнување, освен ако не се препорачани од страна на производителот.
- **ПРЕДУПРЕДУВАЊЕ:** Не ја оштетувајте инсталацијата на средството за ладење.
- **ПРЕДУПРЕДУВАЊЕ:** Не употребувајте електрични уреди во рамки на преградите за чување на храна во уредот, освен ако не станува збор за уреди кои се препорачани од производителот.
- **ПРЕДУПРЕДУВАЊЕ:** Фрижидерот одложете го во согласност со локалните прописи бидејќи на неговото работење се користат запалив експлозивен гас и средство за ладење.
- **ПРЕДУПРЕДУВАЊЕ:** При позиционирање на уредот, уверете се дека кабелот за напојување не е притиснат или оштетен.
- **ПРЕДУПРЕДУВАЊЕ:** Не поставувајте преносливи продолжни кабли со повеќе штекери или преносни акумулатори зад уредот.
- Не употребувајте продолжни кабли или незаземјени (со два краци) адаптери.
- **ОПАСНОСТ:** Ризик од затворање на деца во уредот. Пред да го остстраните стариот уред :
 - Отстранете ја вратата.
 - Оставете ги полиците во рамки на уредот како децата не би можеле лесно да се вовлечат внатре.
- Пред да се обидете да инсталирате некој од пропратните елементи, фрижидерот треба да го исклучите од струја.
- Средстваото за ладење и пенливото средство циклопентан кои се користат во уредот се запаливи. Затоа, при одложување на фрижидерот, држете го подалеку од извори на пламен и, наместо да го одложите со согорување, предајте го на некоја специјализирана компанија со соодветни квалификации која ќе овозможи негова повторна употреба, бидејќи на тој начин ќе спречите штетни ефекти по животната средина или други опасности.
- За EN стандард: Овој уред можат да го користат деца на возраст од 8 или повеќе години и лица со намалени физичко-сензорни или ментални способности или недостаток од искуство и знаење, доколку се под надзор или се упатени во безбедното користење на уредот и ги сафаат опасностите кои ги носи неговата употреба. Децата не смеат да си играат со уредот. Децата не смеат да вршат чистење и корисничко одржување на уредот без надзор.
- За IEC стандард: Овој уред не треба да го користат лица (вклучувајќи деца) со намалени физичко-сензорни или ментални способности или недостаток од искуство и знаење, освен ако се под надзор или ако за користење на уредот ги има обучено лице кое е одговорно за нивната безбедност.
- Децата е потребно да ги надгледувате како би биле сигурни дека не си играат со уредот

Значење на симболите на безбедносните предупредувања



Ова е симбол за забрана.
Секое непочитување на упатствата означени со овој симбол може да резултира со оштетување на производот или со загрозување на безбедноста на корисникот.



Ова е симбол за предупредување.
Неопходно е строго почитување на упатствата означени со овој симбол; во спротивно, може да дојде до оштетување на производот или до повреди.



Ова е симбол за внимателност.
Упатствата означени со овој симбол подразбираат посебна внимателност. Недоволната внимателност може да резултира со полесни или умерени повреди или со оштетување на производот.

Предупредувања во врска со електриката

- Не го извлекувајте приклучокот за напојување на фрижидерот од штекерот така што ќе го влечете кабелот за напојување. Цврсто фатете го приклучокот и извлечете го директно од штекерот.
- Како би овозможиле безбедна употреба, не го оштетувајте кабелот за напојување и не го користете уредот доколку кабелот за напојување е оштетен или истрошен.
- Доколку дојде до појава на бучава, непријатна миризма или чад, веднаш извлечете го приклучокот за напојување од струја и обратете се кај дистрибутерот или кај локалниот овластен сервисер.
- Користете штекер наменет за овој уред и водете сметка на истиот штекер да не бидат приклучени други електрични уреди. Приклучокот треба да има добар контакт со штекерот; во спротивно, може да дојде до пожар.
- Уверете се дека електродата за заземјување во штекерот е опремена со доверлива линија за заземјување.
- Доколку дојде до протекување на гас или други запаливи гасови, затворете го вентилот за гас кој протекува, а потоа отворете ги вратата и прозорците. Не го исклучувајте фрижидерот и другите електрични уреди од струја, бидејќи појавата на искри може да предизвика пожар.
- Не ставајте електрични уреди врз овој уред, освен ако се работи за типови на уреди кои се препорачани од страна на производителот.

Предупредувања во врска со употребата

- Немојте произволно да го демонтирате и повторно да го монтирате уредот, ниту да ја оштетувате инсталацијата за циркулирање на средството за ладење; одржувањето на уредот мора да го врши стручно лице.
- Како би избегнале опасност, замената на оштетениот кабел за напојување мора да ја изврши производителот, неговиот сектор за одржување или слични стручни лица.
- Распојанието помеѓу вратата на фрижидерот и помеѓу вратата и телото на фрижидерот е мало; не ги ставајте рацете во овој простор како би избегнале повреда на прстите. Вратата на фрижидерот затворајте ја лесно како би избегнале паѓање на предмети.
- Како би избегнале смрзнатини, не земајте со влажни раце храна или садови од комората за замрзнување во тек на работењето на фрижидерот; ова особено се однесува на металните садови.
- Ве молиме да не ги вовлекувате рацете под или зад уредот, како би спречиле повредување.
- Не дозволувајте деца да влегуваат во фрижидерот или да се качуваат врз него; во спротивно, може да дојде до нивно гушење или повреда при пад.
- Не ставајте тешки предмети врз горната површина на фрижидерот, бидејќи истите може да паднат при отворање или затворање на вратата на уредот, што може да резултира со ненамерно повредување.
- Во случај на прекин на струја или при чистење, извлечете го приклучокот од штекер. Не го приклучувајте фрижидерот на напојување во текот на наредните пет минути како би спречиле оштетување на компресорот настанато од последователни вклучувања.

Предупредувања во врска со содржината во уредот

- За да спречите оштетување на производот или појава на пожар, во фрижидерот не ставајте запаливи, експлозивни и испарливи средства, ниту предмети кои кородираат.
- За да избегнете појава на пожар, не ставајте запаливи предмети во близина на уредот.
- Фрижидерот е наменет за употреба во домаќинството, како што е чувањето на храна; не смее да се користи во никакви други цели, како што се складирање на крв, лекови или биолошки производи итн.

Предупредувања во врска со потрошувачката на енергија

1. Уредот за ладење можеби нема да работи воедначено (можност за одмрзнување на содржината или преголем раст на температурите во преградата за замрзната храна) доколку во текот на подолг временски период се држи на температури кои се пониски од најниските вредности на температурен опсег за кои е направен уредот.
2. Не треба да се надмине периодот за чување кој е препорачан од страна на производителот за кој било тип на храна.
3. Неопходно е да се применат мерки на претпазливост за спречување на преголемо загревање на замрзнатата храна при одмрзнување на уредот, од типот на завиткување на замрзнатата храна во неколку слоеви хартија.
4. Клучевите кои се користат за вратата или поклопките со брави и клучеви, треба да се држат подалеку од дофат на деца, а не во близина на уредот, како би се спречило заклучување на деца во уредот.

Upozorenja u vezi sa odlaganjem



Средството за ладење и пенливото средство циклопентан , кои се употребуваат во фрижидерот, се запаливи. Затоа, при одложување на фрижидерот, држете го подалеку од извори на пламен и, наместо да го одложите со согорување, предајте го на некоја специјализирана компанија со соодветни квалификации која ќе овозможи негова повторна употреба, бидејќи на тој начин ќе спречите штетни ефекти по животната средина или други опасности.



При одложување на фрижидерот, демантирајте ја вратата и отстранете ја заптивката од вратата, како и полиците; вратата и полиците ставете ги на соодветно место како би спречиле затворање на деца во рамки на уредот.



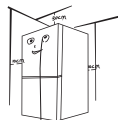
Правилно одложување на овој производ:

Оваа ознака укажува дека производот не треба да се одложува заедно со останатиот отпад од домаќинството. Како би спречиле потенцијални штети по животната средина и здравјето на луѓето настанати со неконтролирано одложување на отпадот, одговорно рециклирајте го со што би ја промовирале одржливата повторна употреба на материјалните ресурси. Ве молиме својот половен уред да го вратите по пат на системот за враќање и собирање на отпад или да ја контактирате продавницата во која сте го купиле производот. Со тоа, производот може да се рециклира на начин кој е безбеден по животната средина.

ПРАВИЛНА УПОТРЕБА НА ФРИЖИДЕРОТ

Позиционирање

- Пред употреба, отстранете ја целокупната амбалажа, вклучувајќи ги перничуњата на дното, подметнувачите од пена и лентите во рамки на уредот; одлепете го заштитниот филм од вратата и телото на фрижидерот.
- Оставете ја амбалажата и останатите делови надвор од дофат на деца како би спречиле појава на ризик од гушење.
- Уредот држете го подалеку од топлина и директно изложување на сонце. Уредот не го поставувајте на влажни места како би спречиле создавање на 'рѓа или намалување на ефектот на изолација.
- Фрижидерот немојте да го прскате ниту миете; не го ставајте на влажни места на кои лесно може да дојде во контакт со вода, што би влијаело неповолно врз електричната изолација на фрижидерот.
- Фрижидерот се поставува на добро проветрено и затворено место; подлогата треба да биде рамна и цврста (ако уредот е нестабилен, ротирајте ги ногарките за нивелирање налево или надесно за да го прилагодите).
- Не го употребувајте уредот во рамки на транспортни средства (од типот на брод итн.).
- За да овозможите оттргнување на топлината, просторот над врвот на фрижидерот треба биде поголем од 30 cm, а слободниот простор меѓу задниот дел на фрижидерот и ѕидот треба да биде поголем од 10 cm.

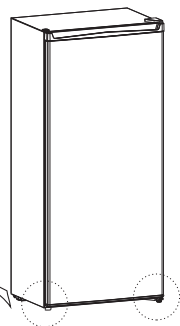
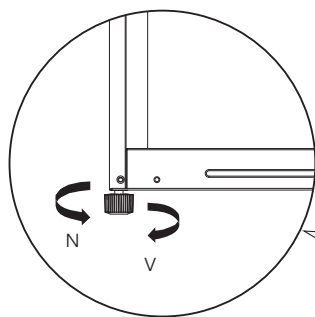


Мерки на претпазливост пред поставување:

Пред поставување или прилагодување на пропратните елементи, уверете се дека фрижидерот е исклучен од струја. Преземете ги сите мерки на претпазливост за да спречите паѓање на рачките и повреда на луѓе.

Ногарки за нивелирање

Шематски приказ на ногарките за нивелирање

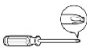
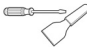




Горната слика е прикажана исклучиво во илустративни цели. Реалната конфигурација ќе зависи од самиот уред или од изјавите на дистрибутерот.

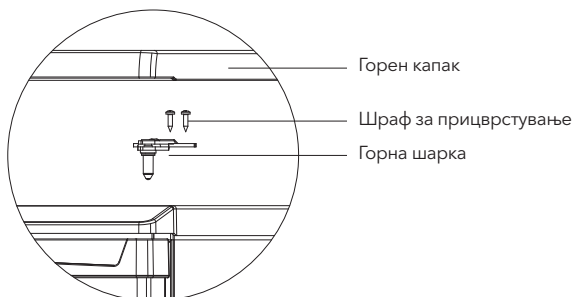
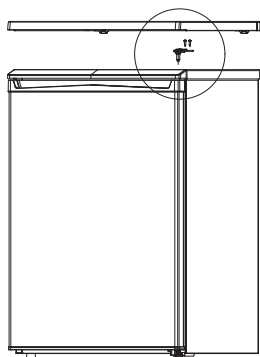
Постапка на прилагодување:

- За да го подигнете фрижидерот, ногарките движете ги во насока на стрелките на часовникот;
- За да го спуштите фрижидерот, ногарките движете ги во спротивна насока од стрелките на часовникот;
- Десната и левата ногарка прилагодете ги според горенаведената процедура така што уредот ќе биде поставен хоризонтално.

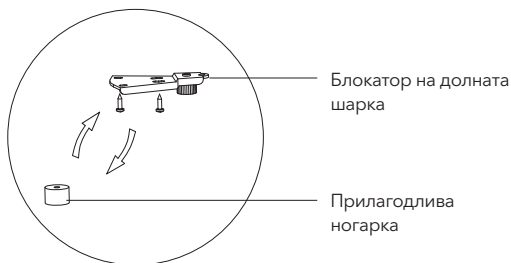
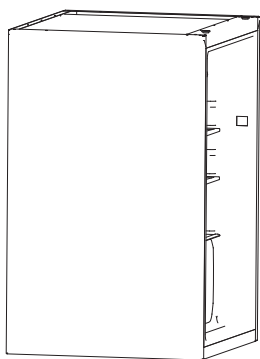
Промена на позицијата на вратата од десна на лева страна и обратно

Список на алати кои треба да ги обезбеди корисникот			
	Крстест одвртувач		Шпатула Тенок, рамен одвртувач
	Насаден клуч од 5/16"		Изолир-трака

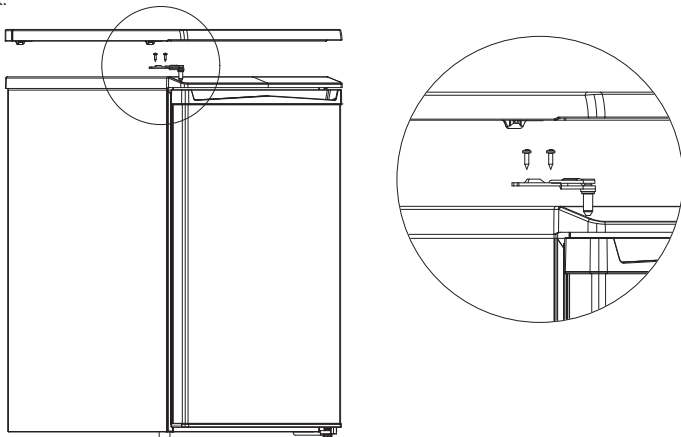
1. Исклучете го фрижидерот и извадете ги сите предмети кои се наоѓаат во полиците на вратата.
2. Размонтирајте го горниот капак, шрафовите за прицврстување на горната шарка и отстранете ја горната шарка; во текот на целата постапка, вратата држете ја во вертикална положба како би спречиле нивно паѓање.



3. Поставете ја вратата на долната шарка и монтирајте ги горната шарка, шрафовите и горниот капак.



4. Поставете ја вратата на долната шарка и монтирајте ги горната шарка, шрафовите и горниот капак.

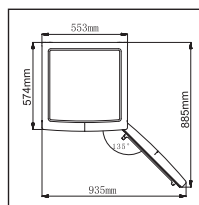


Замена на сијаличките

Секоја замена или одржување на LED-сијаличките треба да ја изврши производителот, негов овластен сервисер или лице со слични квалификации.

Започнување со употреба

- Пред првото вклучување, фрижидерот оставете го да отстои два часа пред да го приклучите на струја.
- Пред да ставите каква било свежа или замрзната храна, фрижидерот треба да работи 2-3 часа или повеќе од 4 часа во летен период, кога собната температура е зголемена.



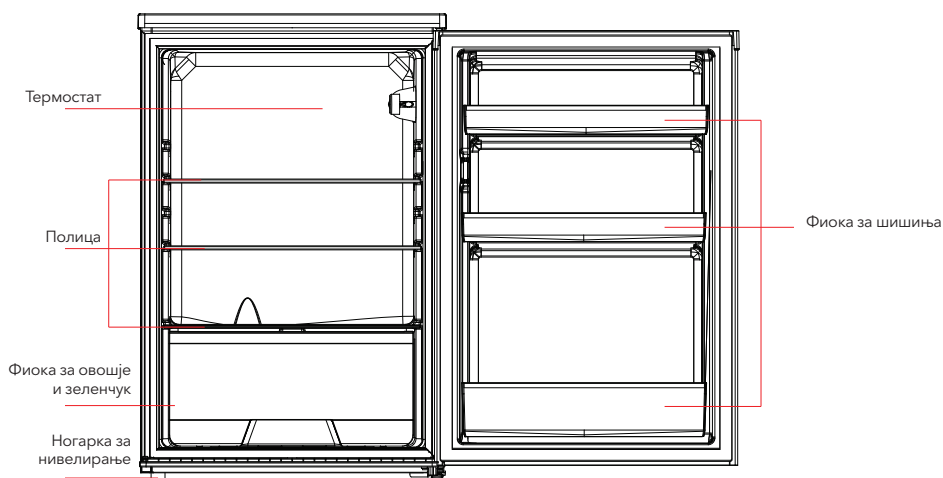
- Оставете доволно простор за соодветно отворање на вратата и фиоките, или онолку простор колку што има наведено дистрибутерот.

Совети за заштеда на енергија

- Уредот треба да го поставите во најстудениот дел од просторијата, подалеку од уреди кои создаваат топлина или од грејни канали, како и од директни сончеви зраци.
- Пред да ја ставите во уредот, жешката храна оставете ја да се излади до собна температура. Преполнувањето на уредот го приморува компресорот да работи подолго. Храната која се лади премногу бавно може да изгуби од квалитетот или да се расипе.
- Погрижете се, пред ставање во уредот, храната да ја завиткате на соодветен начин и садовите да ги избришете така што ќе бидат суви. На овој начин го редуцирате формирањето ине во рамки на уредот.
- Фиоката за складирање на храна во уредот не треба да ја обложувате со алуминиумска фолија, хартија за печење или хартиени салфетки. Материјалите кои се користат за обложување влијаат врз циркулирањето на ладниот воздух, што ја намалува ефикасноста на уредот.
- Организирајте ја и обележете ја храната како поретко би ја отворале вратата на уредот и пократко би ја барале храната. Одеднаш извадете сè што ви е потребно и затворете ја вратата што е можно побрзо.

СТРУКТУРА И ФУНКЦИИ

Главни компоненти

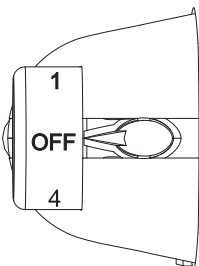


Горната слика е прикажана исклучиво во илустративни цели. Реалната конфигурација ќе зависи од самиот уред или од изјавите на дистрибутерот.

Комора за ладење

- Комората за ладење е погодна за складирање на разновидно овошје, зеленчук, пијалаци и друга храна која се конзумира во краток рок.
- Термички обработената храна не ставајте ја во комората за ладење додека не се излади до собна температура.
- Препорачливо е храната херметички да ја затворите пред ставање во фрижидерот.
- Стаклените полица можете да ги поставите на повисоки или пониски нивоа како би добиле соодветен простор за складирање.
- **Напомена:** Ставањето преголеми количини на храна по првото вклучување во струја може неповолно да влијае врз функциите на замрзнување на фрижидерот.

Функции



Цифрите не одговараат на одредена температура, туку на температурното ниво.

„1“ означува најтопло прилагодување.

„4“ означува најладно прилагодување.

Колку е повисока цифрата, толку реалната температура во рамки на фрижидерот ќе биде пониска.

„OFF“ значи дека уредот не работи.

Горната слика е прикажана исклучиво во илустративни цели. Реалната конфигурација ќе зависи од самиот уред или од изјавите на дистрибутерот.

ОДРЖУВАЊЕ И ГРИЖА ЗА ФРИЖИДЕРОТ

Чистење на целокупниот уред

- За да го подобрите ефектот на ладење и заштеда на енергија, редовно чистете ја прашината зад фрижидерот и на подлогата. За да избегнете создавање непријатна миризба, редовно чистете ја внатрешноста на фрижидерот. За чистење се препорачуваат мека крпа или сунѓер натопени во вода со некорозивен неутрален детергент. На крајот на постапката, фрижидерот треба да се исчисти со чиста вода и сува крпа. Пред да го приклучите на струја, отворете ја вратата на уредот, како природно би се исушил.
- Не употребувајте тврди четки, жици за чистење, жичени четки, абразивни средства како паста за заби, органски растворувачи (како алкохол, ацетон, масло од банана итн.), зовриена вода, кисели или алкални средства при чистење на фрижидерот со оглед дека наведените средства може да ги оштетат површината и внатрешноста на фрижидерот.
- Не плакнете со вода како не би ги оштетиле материјалите кои нудат електрична изолација.



При одмрзнување и чистење, исклучете го фрижидерот од струја.

Одмрзнување

- Исклучете го кабелот за напојување од струја.
- Извадете ја храната од фрижидерот и складирајте ја на соодветен начин како би спречиле нејзино расипување, а потоа подгответе го садот за вода во кој ќе се собира водата настаната при одмрзнувањето.
- Се препорачува водата настаната при одмрзнувањето да се влие од површинскиот слој со сува крпа, која потоа ќе ја исцедите. Повторувајте ја постапката сè додека процесот на одмрзнување не заврши.
- За да го елиминирате ледот, може да ја искористите собната температура за природно одмрзнување, а може да користите и лопатка за лед (употребувајте пластична или дрвена лопатка за лед како би спречиле оштетување на површинскиот слој).
- Исто така, може да употребите и соодветна количина на врела вода за да го забрзате процесот на одмрзнување, во комбинација со сува крпа со која ќе ја соберете водата по одмрзнувањето.
- Вратете ја целата храна во уредот и повторно вклучете го во струја.

Прекин на работењето

- Прекин на струја: Доколку дојде до прекин на струјата, дури и во летен период, храната во рамки на уредот може да се држи и до неколку часа; во текот на прекин на струјата, треба да се намали бројот на отворања на вратата и не треба да се става дополнителна свежа храна во уредот.
- Долго некористење: Уредот треба да се исклучи од струја, а потоа да се исчисти; вратата треба да се остави отворена како би се спречило создавање на непријатна миризба.
- Преместување: Пред преместување на фрижидерот, извадете ги сите предмети од неговата внатрешност, прицврстете ги стаклените полици, садовите за зеленчук, фиоките на комората за замрзнување итн. со селотејп и затегнете ги ногарките за нивелирање; вратата затворете ја и прицврстете ја со селотејп. Во текот на преместувањето, уредот не го поставувајте во превртена или хоризонтална позиција и не го тресете; степенот на наклон на уредот при преместување не смее да биде поголем од 45°. При преместувањето, не го придржувајте уредот за вратата или за шарките.



Штом го вклучите, уредот ќе работи непрекинато. Генерално, не го прекинувајте работењето на уредот; во спротивно, може да дојде до намалување на работниот век на производот.

ОТСТРАНУВАЊЕ НА ПРОБЛЕМИ

Долунаведените едноставни проблеми може да се обидете да ги разрешите сами. Доколку не успеете да ги решите, обратете се до секторот за услуги на одржување.

Прекин на работењето	Проверете дали уредот е приклучен на струја и дали контактот помеѓу приклучокот и штекерот е добар Проверете дали напонот е пренизок Проверете дали дошло до недостиг на струја или до исконкување на одредени осигурувачи
Миризба	Храната која оддава силен мирис треба добро да се завитка Проверете дали одредена храна е расипана Исчистете ја внатрешноста на фрижидерот
Долготрајна работа на компресорот	Нормално е фрижидерот да работи подолго во летниот период, кога надворешната температура е покачена Не се препорачува одеднаш да ставате преголема количина на храна во уредот. Пред ставање во уредот, почекајте храната најпрво да се излади Вратата се отвора премногу често
Сијаличката не се вклучува	Проверете дали фрижидерот е приклучен на струја и дали сијаличката е оштетена Погрижете се сијаличката да ја замени соодветно лице
Вратата на фрижидерот не се затвора добро	Амбалажата за храна ја блокира вратата на уредот Преголема количина на храна е ставена во уредот Фрижидерот е навален
Гласна бучава	Проверете дали подлогата е хоризонтална и дали уредот е стабилно поставен Проверете дали пропратните елементи се соодветно поставени
Заптивката за врата не е цврсто прилепена	Отстранете ги надворешните материји нафатени за заптивката Загрејте ја заптивката, а потоа изладете ја како би ја освежиле (за да ја загреете, издувајте ја со фен за коса или употребете врела крпа)
Садот за вода се прелева	Во комората има премногу храна или храната која се чува содржи премногу вода, што резултира со интензивно одмрзнување Вратата не е добро затворена, што резултира со формирање на лед поради напливот на воздух и зголеменото создавање на вода при одмрзнувањето
Прегреан вграден дел	Топлината на вградениот кондензатор се шири низ вградениот дел, што е нормална појава Кога вградениот дел ќе се прегрее поради зголемена собна температура, чување на преголема количина на храна или прекин на работењето на компресорот, обезбедете непрекината вентилација, со што ќе се овозможи отстранување на топлината
Формирање на површински кондензат	Формирањето кондензат на надворешните површини и на заптивката на вратата на фрижидерот е нормална појава кога концентрацијата на влага во просторијата е previsoka. Едноставно исчистете го кондензатот со чиста крпа.
Невообичаена бучава	Зуење: При работењето, компресорот може да зуи, што посебно гласно се слуша на почетокот и на крајот на работењето. Оваа појава е нормална Чкрипење: Средството за ладење кое тече во рамки на уредот може да предизвикува чкрипење, што претставува нормална појава

Табела 1 Климатски класи

Класа	Симбол	Опсег на собна температура °C
Проширено умерена	SN	+10 do +32
Умерена	N	+ 16 do +32
Суптропска	ST	+16 do + 38
Тропска	T	+ 16 do + 43

INFORMAȚII DE SIGURANȚĂ

ATENȚIE:



Atenție: risc de incendiu / materiale inflamabile

RECOMANDĂRI:

- Acest aparat este destinat să fie utilizat în spații casnice sau similare, cum ar fi zonele de bucătărie ale personalului din magazine, birouri și alte medii de lucru; case, ferme sau de către clienți în hoteluri, pensiuni și alte medii de tip hotel; medii de tip pensiune;
- În cazul în care cablul de alimentare este deteriorat, acesta trebuie înlocuit de producător, service autorizat sau de persoane calificate pentru a evita un pericol.
- Nu depozitați substanțe explozive, cum ar fi cutii de aerosoli, cu un propulsor inflamabil în acest aparat.
- **ATENȚIE:** Risc de incendiu / materiale inflamabile.
- **ATENȚIE:** Păstrați orificiile de ventilație, în interiorul aparatului sau în structura încorporată, ferite de obstacole.
- **ATENȚIE:** Nu folosiți dispozitive mecanice sau alte mijloace pentru a accelera procesul de decongelare, altele decât cele recomandate de producător.
- **ATENȚIE:** Nu deteriorați circuitul refrigerantului.
- **ATENȚIE:** Nu folosiți aparate electrice în interiorul compartimentelor de depozitare a alimentelor, decât dacă sunt de tipul recomandat de producător.
- **ATENȚIE:** Vă rugăm să lăsați frigiderul în conformitate cu regulatoarele locale pentru ca acestea să folosească gaz de suflare inflamabil și agentul frigorific.
- **ATENȚIE:** Când instalați aparatul, asigurați-vă că cablul de alimentare nu este prins sau deteriorat.
- **ATENȚIE:** Nu instalați mai multe prize de priză sau surse de alimentare portabile în spatele aparatului.
- Nu folosiți prelungitoare sau adaptoare fără împământare.
- **PERICOL:** Riscul de blocare al copilul. Înainte de a arunca frigiderul sau congelatorul vechi:
 - o Scoate ușile.
 - o Scoateți rafturile pentru ca copiii să nu poată urca cu ușurință înăuntru.
- Frigiderul trebuie deconectat de la sursa de alimentare electrică înainte de a încerca instalarea accesoriilor. Materialele ca refrigerant sau ciclopentan sunt utilizate pentru frigider și sunt inflamabile. Prin urmare, atunci când frigiderul este depanat, acesta trebuie să fie ferit de orice sursă de incendiu și să fie recuperat de o companie specială de recuperare, cu calificarea corespunzătoare.
- Pentru standardul EN: Acest aparat poate fi utilizat de copii cu vârste cuprinse între 8 ani sau peste și persoane care au capacități senzoriale sau mentale fizice reduse sau lipsă de experiență și cunoștințe dacă li s-a oferit supraveghere sau instrucțiuni privind utilizarea aparatului într-un mod sigur și înțeleg pericolele implicate. Copiii nu se vor juca cu aparatul. Curățarea și întreținerea nu trebuie făcute de copii fără supraveghere.
- Pentru standardul IEC: Acest aparat nu este destinat utilizării de către persoane (inclusiv copii) cu capacități fizice, senzoriale sau mentale reduse sau lipsă de experiență și cunoștințe, cu excepția cazului în care li s-a oferit supraveghere sau instrucțiuni privind utilizarea aparatului de către o persoană responsabil (pentru siguranța lor.)
- Copiii trebuie supravegheați pentru a vă asigura că nu se joacă cu aparatul.

Semnificația simbolurilor de avertizare de siguranță



Acest simbol indică aspecte interzise, iar comportamentele respective sunt interzise. Nerespectarea instrucțiunilor poate duce la deteriorarea produsului sau poate pune în pericol siguranța personală a utilizatorilor



Acest simbol indică aspecte care trebuie urmate, iar acestea trebuie să fie executate strict în conformitate cu cerințele de operare. Nerespectarea instrucțiunilor poate duce la deteriorarea produsului sau poate pune în pericol siguranța personală a utilizatorilor.



Acest simbol indică aspectele la care trebuie să acordeți atenție și acestea trebuie notate în special. Este necesară precauția necesară sau se vor produce răni minore sau moderate sau pagube ale produsului.

Avertizări legate de electricitate

- Nu trageți cablul de alimentare când scoateți ștecherul de alimentare al frigiderului. Vă rugăm să apucați bine ștecherul și scoateți-l direct din priză.
- Nu deteriorați cablul de alimentare în nicio condiție, astfel încât să asigurați utilizarea siguranței, nu folosiți atunci când cablul de alimentare este deteriorat sau dacă ștecherul este uzat.
- Cablul de alimentare uzat sau deteriorat se înlocuiește în service-urile autorizate de producător.
- Mufa de alimentare trebuie să fie ferm contactată cu priza sau altfel s-ar putea produce incendii. Vă rugăm să vă asigurați că electrodul de împământare al prizei este echipat cu o linie de împământare fiabilă.
- Vă rugăm să opriți supapa gazului care se scurge și apoi să deschideți ușile și ferestrele în cazul scurgerii de gaz și a altor gaze inflamabile. Nu deconectați frigiderul și alte aparate electrice, având în vedere că scânteia poate provoca un incendiu.
- Pentru a asigura siguranța, nu este recomandat să amplasați regulatoare, aragazuri, cuptoare cu microunde și alte aparate pe partea superioară a frigiderului, cele recomandate de producător. Nu folosiți aparate electrice în tava pentru alimente.

Avertizări legate de utilizare

- Nu dezasamblați sau reconstruiți în mod arbitrar frigiderul și nici deteriorați circuitul refrigerantului; întreținerea aparatului trebuie efectuată de un specialist.
- Cablul de alimentare deteriorat trebuie înlocuit de producător, de departamentul său de întreținere sau de profesioniștii calificați pentru a evita pericolul.
- Spațiile dintre ușile frigiderului și între uși și corpul frigiderului sunt mici, nu trebuie să puneți mâna în aceste zone pentru a preveni blocarea degetelor. Vă rugăm să deschideți cu grijă ușa frigiderului pentru a evita căderea articolelor.
- Nu alegeți alimente sau recipiente cu mâinile ude în camera de congelare când frigiderul funcționează, în special containerele metalice pentru a evita înghețurile.
- Nu lăsați copiii să intre sau să urce în frigider pentru a preveni ca aceștia să nu rămână blocați în frigider sau să fie răniți de ușa frigiderului.
- Nu pulverizați și nu spălați frigiderul; nu plasați frigiderul în locuri umede ușor de stropit cu apă pentru a nu afecta proprietățile de izolare electrică ale frigiderului.
- Nu așezați obiecte grele pe partea superioară a frigiderului, având în vedere că obiectele pot cădea la deschiderea ușii și pot fi cauzate răni accidentale.
- Vă rugăm să scoateți ștecherul în caz de avarie sau curățare. Nu conectați frigiderul la sursa de alimentare în termen de cinci minute pentru a preveni deteriorarea compresorului din cauza pornirii succesive.

Avertismente legate de plasarea articolelor

- Nu puneți articole inflamabile, explozive, volatile și foarte corozive în congelator pentru a preveni deteriorarea produsului sau accidentelor de incendiu.
- Nu așezați articole inflamabile lângă frigider pentru a evita incendii.
- Acest produs este frigider de uz casnic și trebuie să fie potrivit numai pentru depozitarea alimentelor. Conform standardelor naționale, frigiderul casnic nu poate fi utilizat în alte scopuri, cum ar fi depozitarea de sânge, medicamente sau produse biologice.

Avertismente pentru energie

1. Frigiderul ar putea să nu funcționeze în mod consecvent (posibilitatea dezghețării conținutului sau temperatura să crească prea mult în compartimentul alimentar congelat) atunci când este așezat o perioadă extinsă de timp sub temperatura rece a intervalului de temperaturi pentru care este proiectat aparatul frigorific.
2. Nu depuși timpul de depozitare recomandat de producătorii de alimente pentru orice fel de aliment.
3. Luați măsurile de precauție necesare pentru a preveni o creștere nejustificată a temperaturii alimentelor în timp ce decongelează aparatul frigorific, cum ar fi înfășurarea alimentelor în mai multe straturi de ambalaj.
4. Pentru uși sau capacele dotate cu încuieri și chei, cheile să nu fie la îndemâna copiilor și nu în imediata apropiere a aparatului frigorific, pentru a preveni blocarea copiilor în interior.

Avertismente legate de eliminare



Materialele frigorifice congelante și cele din spumă ciclopentan sunt materiale combustibile, iar congelatoarele aruncate trebuie izolate de surse de incendiu și nu pot fi arse. Vă rugăm să transferați congelatorul către firme de reciclare profesionale calificate pentru prelucrare pentru a evita daunele aduse mediului sau altor pericole.



Vă rugăm să scoateți ușa congelatorului și rafturile care trebuie să fie așezate corespunzător pentru a evita accidentele copiilor care pot intra sau juca în congelator.



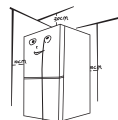
Eliminarea corectă a acestui produs:

Acest marcaj indică faptul că produsul nu trebuie aruncat cu alte deșeuri menajere. Pentru a preveni posibile daune aduse mediului sau sănătății umane din eliminarea necontrolată a deșeurilor, reciclați-l în mod responsabil pentru a promova reutilizarea durabilă a resurselor materiale. Pentru a returna dispozitivul folosit, vă rugăm să utilizați sistemele de retur și colectare sau să contactați vânzătorul de la produsul unde a fost achiziționat.

UTILIZAREA CORESPUNZĂTOARE A FRIGIDERULUI

Poziționare

- Înainte de utilizare, scoateți toate materialele de ambalare, inclusiv pernele de jos, plăcuțele din spumă și benzile din interiorul frigiderului; rupeți folia de protecție de pe ușile și corpul frigiderului.
- Vă rugăm să nu lăsați materialele de ambalare și alte piese la îndemâna copiilor pentru a preveni riscul de sufocare.
- Păstrați departe de căldură și evitați lumina directă a soarelui. Nu așezați congelatorul în locuri umede sau apoase pentru a preveni rugină sau reducerea efectului izolator.
- Nu pulverizați și nu spălați frigiderul; nu puneți frigiderul în locuri umede, pentru a nu afecta proprietățile de izolare electrică a frigiderului.
- Frigiderul trebuie plasat în interior, într-un loc bine ventilat; locul trebuie să fie drept, plat. Ajustați spre stânga sau dreapta dacă aparatul este instabil.
- Vă rugăm să nu folosiți aparatul pe mijloace de circulație (cum ar fi barca, etc)
- Spațiul de deasupra al frigiderului trebuie să fie mai mare de 30 cm, iar frigiderul trebuie așezat pe un perete cu o distanță liberă mai mare de 10 cm pentru a facilita disiparea căldurii



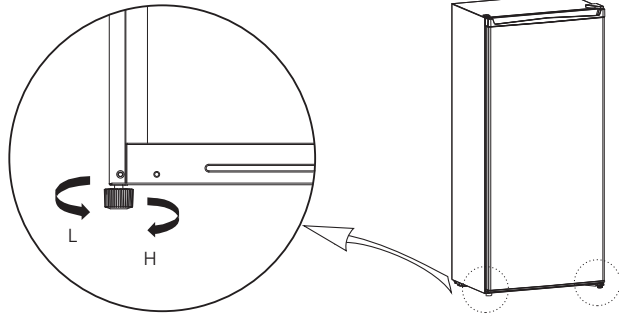
Precauții înainte de instalare:

Înainte de instalarea sau reglarea accesoriilor, trebuie să vă asigurați că frigiderul este deconectat de la alimentare.

Se vor lua măsuri de precauție pentru a preveni căderea mânerului și provocarea de vătămări corporale.

Reglarea picioarelor

Diagrama reglării
picioarelor

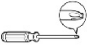





Imaginea de mai sus este doar pentru referință. Configurația reală va depinde de produsul fizic sau de declarația distribuitorului.

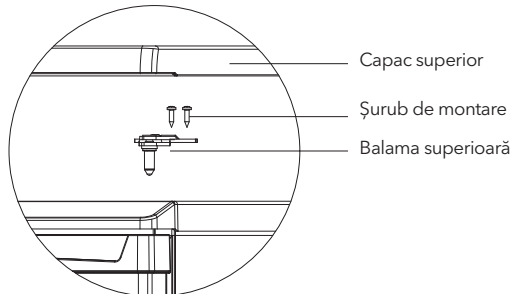
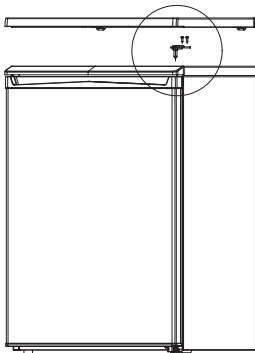
Proceduri de ajustare:

- Întoarceți picioarele în sens orar pentru a ridica frigiderul;
- Întoarceți picioarele în sens orar invers pentru a coborî frigiderul;
- Reglați picioarele dreapta și stânga pe baza procedurilor de mai sus la un nivel orizontal.

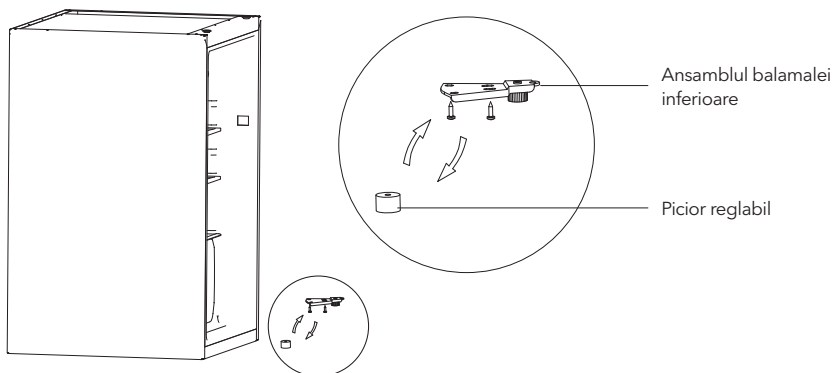
Schimbare ușă dreapta-stânga

Lista instrumentelor care sunt necesare utilizatorului			
	Șurubelniță cruce		șurubelniță cu lamă subțire
	Cheie de 5/16		Banda camuflantă

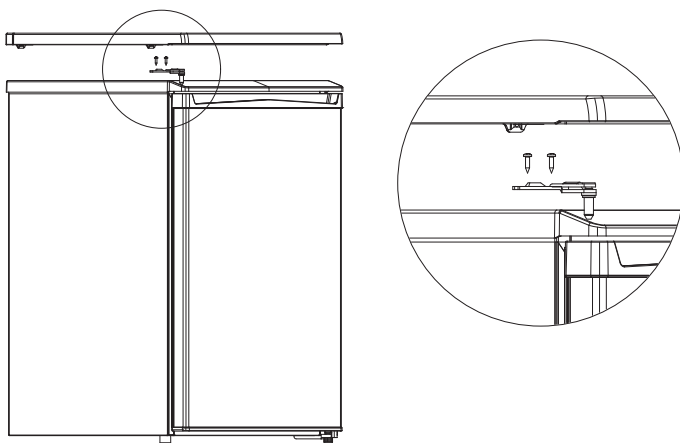
- Oprțiți frigiderul și scoateți toate obiectele de pe rafturile ușii.
- Demontați capacul superior, șuruburile de fixare ale balamalei superioare și îndepărtați balamaua superioară, vă rugăm să mențineți ușa verticală pe întregul proces pentru a evita căderea.



3. Demontați ușa și ansamblul balamalei inferioare și piciorul reglabil, apoi asamblați ansamblul balamalei inferioare și piciorul reglabil pe cealaltă parte.



4. Puneți ușa pe balama de jos și asamblați balamaua superioară, șuruburile și capacul superior.

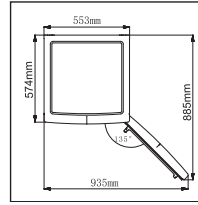


Schimbarea luminii

Orice înlocuire sau întreținere a lămpilor cu LED-uri este destinată producătorului, service-ului autorizat sau a unei persoane calificate similare.

Statr

- Înainte de împornire , mențineți frigiderul încă două ore înainte de a-l conecta la sursa de alimentare.
- Înainte de a pune alimente proaspete sau congelate, frigiderul trebuie să funcționeze timp de 2-3 ore sau peste 4 ore vara, când temperatura ambiantă este ridicată.



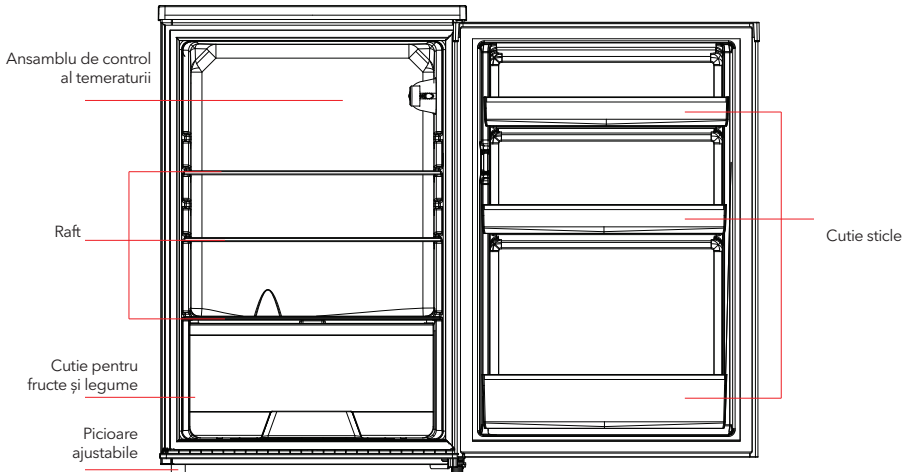
- Spațiu suficient pentru deschiderea convenabilă a ușilor și sertarelorului.

Sfaturi pentru a economisi energie

- Aparatul trebuie să fie amplasat în zona cea mai răcoasă a camerei, departe de aparatele producătoare de căldură sau de conductele de încălzire și de lumina directă a soarelui.
- Lăsați alimentele calde să se răcească la temperatura camerei înainte de a le pune în aparat. Supraîncărcarea aparatului obligă compresorul să funcționeze mai mult. Alimentele care s-au răcit prea lent pot pierde calitatea sau se pot strica.
- Asigurați-vă că ambalați alimentele în mod corespunzător și ștergeți recipientele înainte de a le pune în aparat. Aceasta reduce înghețul în interiorul aparatului.
- Coșul de depozitare al aparatului nu trebuie căptușit cu folie de aluminiu, hârtie de ceară sau prosop de hârtie. Căptușelile intervin în circulația aerului rece, ceea ce face ca aparatul să fie mai puțin eficient. Organizați și etichetați mâncarea pentru a reduce deschiderea ușilor și căutările extinse. Scoateți cât mai multe articole necesare la un moment dat și închideți ușa cât mai curând posibil.

STRUCTURĂ ȘI FUNCȚIONARE

Componente

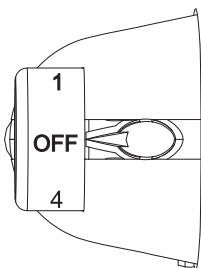


Imaginea de mai sus este doar pentru referință. Configurația reală va depinde de produsul fizic sau de declarația distribuitorului

Camera frigorifică

- Camera frigorifică este potrivită pentru depozitarea unei varietăți de fructe, legume, băuturi și alte alimente consumate pe termen scurt.
- Alimentele de gătit nu trebuie introduse în camera frigorifică decât răcite la temperatura camerei.
- Alimentele se recomandă să fie sigilate înainte de a fi introduse în frigider.
- Rafturile de sticlă pot fi reglate în sus sau în jos pentru o cantitate rezonabilă de spațiu de depozitare
- **Notă:** Depozitarea prea multor alimente în timpul funcționării după conectarea inițială la electricitate poate afecta efectul de îngheț al frigiderului.

Funcții



Cifrele nu înseamnă temperatura specifică, ci nivelul temperaturii. „1” înseamnă cea mai caldă setare „4” înseamnă cea mai rece setare
Cu cât cifra este mai mare, cu atât va fi mai mică temperatura reală din interiorul frigiderului.
„OFF” înseamnă oprirea funcționării.

Imaginea de mai sus este doar pentru referință. Configurația reală va depinde de produsul fizic sau de declarația distribuitorului

ÎNTREȚINERE ȘI CURĂȚARE

Curățare

- Praful din spatele frigiderului trebuie curățat în timp util pentru a îmbunătăți efectul de răcire și economisirea de energie. Interiorul frigiderului trebuie curățat regulat pentru a evita mirosul. Pentru curățare se recomandă prosoape moi sau burete cufundat în apă și detergenți neutri ne-corozivi. Frigiderul trebuie curățat în cele din urmă cu apă curată și o cârpă uscată. Deschideți ușa pentru uscarea naturală înainte de a-l porni.
- Nu folosiți perii tari, bile de oțel, perii de sârmă, abrazive, cum ar fi pastele de dinți, solvenți organici (cum ar fi alcool, acetona, ulei de banană etc.), apă clocotită, acid sau produse alcaline deoarece acest lucru poate deteriora suprafața și interiorul frigiderului.
- Nu clătiți cu apă pentru a nu afecta proprietățile de izolare electrică.



Vă rugăm să deconectați frigiderul pentru decongelare și curățare.

Dezghețare

- Deconectați cablul de alimentare
- Vă rugăm să scoateți alimentele din frigider și așezați-le în mod corespunzător pentru a împiedica alimentele să nu se strice, apoi pregătiți un recipient pentru apă pentru a se scurge apa de decongelare.
- Se recomandă utilizarea unui prosop uscat pentru uscarea apei dezghețate pe căptușeală și evaporator, apoi se usucă cu șervețel. Repetați operația până la finalizarea decongelării
- Puteți utiliza temperatura naturală a decongelării, puteți utiliza, de asemenea, spatulă de gheață pentru a elimina înghețul (puteți a utiliza spatulă de gheață din plastic sau din lemn pentru a preveni deteriorarea căptușelii).
- De asemenea, puteți utiliza cantitatea corespunzătoare de apă caldă pentru a accelera decongelarea, cu prosopul uscat pentru a usca apa după decongelare.
- Puneți din nou toate alimentele și porniți aparatul.

În afara funcționării

- Întrerupere a energiei electrice: în caz de avarie, chiar dacă este vara, alimentele din interiorul aparatului pot fi păstrate câteva ore; în timpul întreruperii, timpul de deschidere a ușii se reduce și nu se mai pun alimente proaspete în aparat.
- Reutilizare îndelungată: aparatul trebuie deconectat și apoi curățat; apoi ușile sunt lăsate deschise pentru a preveni mirosul.
- Deplasare: înainte de a se muta frigiderul, scoateți toate obiectele în interior, fixați pereții de sticlă, suportul pentru legume, sertarele camerei de congelare și etc. cu bandă și strângeți picioarele de nivelare; închide ușile și fixați-le cu bandă. În timpul deplasării, aparatul nu trebuie așezat în sus sau orizontal înclinația în timpul deplasării, nu trebuie să depășească 45 °. Nu țineți ușa și balamaua atunci când mutați această unitate.



Aparatul funcționează continuu, odată pornit. În general, funcționarea aparatului nu trebuie întreruptă, în caz contrar, durata de funcționare poate fi afectată.

DIAGNOSTICARE

Puteți încerca să rezolvați singure următoarele probleme simple. Dacă acestea nu pot fi rezolvate, vă rugăm să contactați service-ul autorizat

Funcționare eșuată	Verificați dacă aparatul este conectat la alimentare sau dacă ștecherul este în priză Verificați dacă tensiunea este prea mică Verificați dacă există o pană de curent sau s-au declanșat circuite parțiale
Miros neplăcut	Alimentele mirositoare trebuie să fie bine împachetate Verificați dacă există vreun aliment stricat Curățați interiorul frigiderului
Funcționarea îndelungată a compresorului	Funcționarea îndelungată a frigiderului este normală vara, când temperatura ambiantă este ridicată Nu este recomandabil să aveți prea multă mâncare în aparat, în același timp, mâncarea trebuie să se răcească înainte de a fi introdusă în aparat Ușile sunt deschise prea des
Lumina nu reușește să se aprindă	Verificați dacă frigiderul este conectat la sursa de alimentare și dacă lumina este deteriorată Înlocuiți becul
Ușile nu pot fi închise corespunzător	Ușa este blocată de pachete alimentare Prea multă mâncare în frigider Frigiderul este înclinat
Zgomot puternic	Verificați dacă podeaua este la nivel și dacă frigiderul este stabilizat Verificați dacă accesoriile sunt amplasate în locațiile adecvate
Sigiliul ușii nu este bine închis	Îndepărtați materialele străine de pe sigiliul ușii Încălziți sigiliul ușii și apoi răciți-l pentru restaurare (sau acționați cu un uscător electric sau folosiți un prosop cald pentru încălzire)
Recipientul cu apă se revarsă	Există prea multă hrană sau alimentele depozitate conțin prea multă apă, ceea ce duce la decongelarea grea Ușile nu sunt închise în mod corespunzător, rezultând îngheț datorită intrării aerului și a apei din cauza dezghețului
Carcasă caldă	Disiparea căldurii condensatorului încorporat prin carcasă este un lucru normal. Carcasa devine fierbinte din cauza temperaturii medii ridicate, depozitarea prea multor alimente sau oprirea compresorului este închisă. Asigurați o ventilație sonoră pentru a facilita disiparea căldurii

Condens	Condensarea pe suprafața exterioară și sigiliile ușii frigiderului este normală atunci când umiditatea ambientală este prea mare. Ștergeți pur și simplu condensul cu un prosop curat.
Zgomot anormal	Buzz: Compresorul poate produce zgomote în timpul funcționării, iar zgomotele sunt puternice în special la pornire sau oprire. Asta este normal. Creak: agentul frigorific care curge în interiorul aparatului poate produce zgomote, ceea ce este normal.

Tabelul 1 Clase de climă

Clasă	Simbol	Interval de temperatură ambientală °C
Extended temperate	SN	+10 to +32
Temperate	N	+ 16 to +32
Subtropical	ST	+16 to + 38
Tropical	T	+ 16 to + 43

VARNOSTNA OPOZORILA

Opozorilo:



Opozorilo: nevarnost požara / vnetljivi materiali

PRIPOROČILA:

- Ta naprava je namenjena uporabi v gospodinjstvih in podobnih okoljih, kot so kuhinje za osebe v trgovinah, pisarnah in drugih delovnih okoljih; na kmetijah in s strani gostov v hotelih, motelih ter v drugih objektih bivalnega tipa; v objektih, ki nudijo storitve prenočevanja z zajtrkom; v namene priprave in dostave hrane (»catering«) ter v podobne nepridobitne namene.
- Če se električni priključni kabel poškoduje, ga mora v izogib nevarnostim zamenjati proizvajalec, njegov pooblaščen serviser ali kvalificirana oseba.
- V napravi ne shranjujte eksplozivnih snovi, kot so razpršilne posode z vnetljivim potisnim plinom.
- Po uporabi in pred izvedbo vzdrževalnih del je napravo treba odklopiti iz električne napetosti.
- **OPOZORILO:** nevarnost požara / vnetljivi materiali.
- **OPOZORILO:** Poskrbite, da v notranjosti ohišja naprave ali v notranjosti vgrajene konstrukcije prezračevalne odprtine ne bodo ovirane.
- **OPOZORILO:** Ne uporabljajte mehanskih sredstev ali drugih postopkov za pospeševanje procesa taljenja, razen tistih, ki jih priporoča proizvajalec.
- **OPOZORILO:** Ne poškodujte napeljave za hladilno sredstvo.
- **OPOZORILO:** V notranjih prostorih za shranjevanje živil ne uporabljajte električnih naprav, razen če so le-te v skladu s tistimi, ki jih priporoča proizvajalec.
- **OPOZORILO:** Hladilnik odstranite v skladu z lokalnimi predpisi, saj za svoje delovanje uporablja vnetljiv plin in hladilno sredstvo.
- **OPOZORILO:** Pri nameščanju naprave pazite, da električnega kabla ne stisnete in ne poškodujete.
- **OPOZORILO:** Ne nameščajte prenosnih kablskih podaljškov z več vičnicami in prenosnih akumulatorjev za napravo.
- Ne uporabljajte kablskih podaljškov in neozemljenih razdelilcev (z dvema krakoma).
- **NEVARNOST:** Nevarnost, da otroci ostanejo zaprti v napravi. Preden odstranite svoj stari hladilnik ali zamrzovalnik:
 - - Snemite vrata.
 - - Pustite police v napravi, da otroci ne morejo zlahka vstopiti vanjo.
- Preden poskušate namestiti dodatne elemente, morate hladilnik odklopiti iz električnega omrežja.
- Hladilno sredstvo in ciklopentan (penilno sredstvo, ki se uporablja pri izolaciji) sta vnetljiva. Zato pri odstranjevanju hladilnika pazite, da ga ne približujete viru plamenov, ampak ga namesto sežiganja raje predajte enemu izmed specializiranih podjetij za recikliranje z ustreznimi kvalifikacijami, saj na ta način preprečite škodljive vplive na okolje in druge nevarnosti.
- Za EN standard: to napravo lahko uporabljajo otroci, stari nad 8 let, in osebe z zmanjšanimi fizično-čutnimi ali umskimi sposobnostmi ali s pomanjkanjem izkušenj ali znanja, vendar le pod nadzorom, ali pa če so poučeni o varni uporabi naprave in razumejo nevarnosti, ki jih prinaša uporaba naprave. Otroci se z napravo ne smejo igrati. Otroci ne smejo izvajati čiščenja in vzdrževalnih del brez nadzora.
- Za IEC standard: te naprave ne smejo uporabljati osebe (vključno z otroci) z zmanjšanimi fizično-čutnimi ali umskimi sposobnostmi ali s pomanjkanjem izkušenj in znanja, razen v primeru, da so pod nadzorom, ali pa jih je o varni uporabi naprave poučila oseba, ki odgovarja za njihovo varnost.
- Otroke je treba nadzirati in se prepričati, da se z napravo igrajo.

Pomen simbolov varnostnih opozoril



To je simbol za prepoved. Vsako nespoštovanje s tem simbolom označenih navodil lahko povzroči poškodbe izdelka ali ogrozi osebno varnost uporabnika.



To je simbol za opozorilo. Nujno je natančno spoštovanje navodil, označenih s tem simbolom, saj v nasprotnem primeru lahko pride do poškodb naprave ali oseb.



To je simbol, ki opozarja na previdnost. S tem simbolom označena navodila zahtevajo posebno previdnost. Nezadostna previdnost lahko povzroči lažje ali zmerne poškodbe oseb ali na izdelku.

Opozorila glede električne energije

- Vtiča napajalnega kabla hladilnika ne iztikajte iz vtičnice tako, da povlečete za kabel. Čvrsto primate vtič in ga izvlecite iz vtičnice naravnost navzven.
- Za zagotavljanje varnosti uporabe ne smete nikoli poškodovati električnega napajalnega kabla; če pa je ta poškodovan ali obrabljen, ga ne smete uporabljati.
- Če se pojavi šum, vonj ali dim, takoj izklopite napajalni kabel in se povežite z distributerjem ali lokalnim servisom.
- Uporabljajte ustrezno vtičnico in pazite, da nanjo niso priključene še druge električne naprave. Vtič napajalnega kabla mora biti čvrsto zataknen v vtičnico, sicer lahko pride do požara.
- Preverite, ali je ozemljitvena elektroda vtičnice priključena na zanesljiv ozemljitveni vod.
- V primeru, da pride do uhajanja plina ali drugih vnetljivih plinov, zaprite ventil uhajajočega plina, nato pa odprite vrata in okna. Ne izklaplajte hladilnika ali drugih električnih naprav iz omrežja, saj morebitno iskenje ob tem lahko privede do požara.
- Na to napravo ne postavljajte električnih naprav, razen če so te naprave v skladu s tistimi, ki jih priporoča proizvajalec.

Opozorila glede uporabe

- Hladilnika ne smete samovoljno razstavljati in ponovno sestavljati, niti poškodovati napeljave hladilnega sredstva. Vzdrževanje naprave mora izvesti strokovna oseba.
- V izogib nevarnostim mora zamenjavo poškodovanega napajalnega kabla opraviti proizvajalec, njegov oddelek za vzdrževalna dela ali podobne strokovne osebe.
- Razmiki med vrati hladilnika ter med vrati in ohišjem hladilnika so majhni, zato pazite, da v vmesne prostore ne vstavljate rok, saj si lahko poškodujete prste. Da se izognete padanju predmetov s hladilnika, zapirajte vrata počasi.
- Z mokrimi rokami ne segajte po hrani ali posodah (še posebej kovinskih) v zamrzovalni komori delujočega hladilnika, saj to lahko povzroči zmrzline na koži.
- Ne segajte z rokami pod ali za napravo, saj se lahko poškodujete.
- Otrokom ne dovolite vstopanja v hladilnik ali plezanja po njem, saj v nasprotnem primeru lahko pride do zadrževanja ali poškodb otrok pri padcu.
- Na hladilnik ne postavljajte težkih predmetov, saj lahko slednji pri odpiranju ali zapiranju vrat padejo z višine ter povzročijo nehotene poškodbe.
- V primeru izpada električne napetosti ali pred čiščenjem izvlecite vtič iz vtičnice. Šele po petih minutah lahko ponovno priklopite hladilnik na električno napetost, saj s tem preprečite poškodbe kompresorja, do katerih lahko pride zaradi večkratnega zaporednega zagona.

Opozorila glede shranjevanja vsebine

- Za preprečevanje škode na izdelku ali nastanka požara v hladilnik ne postavljajte vnetljivih, eksplozivnih, hlapljivih in visoko korozivnih snovi.
- Za preprečevanje požara v bližino hladilnika ne postavljajte vnetljivih predmetov
- Hladilniki so namenjeni za uporabo v gospodinjstvih, npr. za shranjevanje živil; ne smejo se uporabljati v druge namene, kot so skladiščenje krvi, zdravil ali bioloških izdelkov itd.

Opozorila glede energije

1. Naprave za hlajenje mogoče ne bodo delovale dosledno (možnost odtalitse vsebine ali prevelikega porasta temperature v razdelku za zamrznjena živila), če ste jih daljše časovno obdobje hranili pod nivojem najnižjih temperatur, za katere je hladilna naprava izdelana.
2. Pazite, da za katerokoli vrsto hrane ne prekoračite časa hranjenja živil dlje, kot priporočajo njihovi proizvajalci.
3. Pri odtajanju hladilne naprave so nujni nekateri previdnostni ukrepi za preprečevanje prekomernega segrevanja zamrznjenih živil, kot je zavijanje zamrznjene hrane v več slojev časopisnega papirja.
4. Da preprečite zaklepanje otrok v napravo, morate ključke vrat ali pokrovov, ki so opremljeni s ključavnicami in ključi, hraniti izven dosega otrok in ne v bližini hladilne naprave.

Opozorila glede odstranjevanja naprave



Hladilno sredstvo in penilno sredstvo ciklopentan, ki se uporabljata pri hladilniku, sta vnetljiva. Zato pri odstranjevanju hladilnika pazite, da ga ne približujete viru plamenov, ampak ga namesto sežiganja raje predajte enemu izmed specializiranih podjetij za recikliranje z ustreznimi kvalifikacijami, saj na ta način preprečite škodljive vplive na okolje in druge nevarnosti.



Pred odstranjevanjem hladilnika snemite vrata ter z njih odstranite tesnilo in police; vrata in police postavite na ustrezno mesto, da preprečite zapiranje otrok v napravo.



Pravilno odstranjevanje tega izdelka:

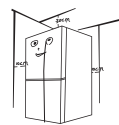
Ta oznaka prikazuje, da tega izdelka ne smete odložiti v odpadke iz gospodinjstva. Zaradi preprečevanja morebitne škode (za okolje in za zdravje ljudi), ki bi lahko nastala zaradi nenadzorovanega odlaganja odpadkov, napravo reciklirajte in s tem podprite trajnostno ponovno uporabo materialnih virov. Prosimo, da vašo uporabljeno napravo odstranite z upoštevanjem sistema za vračanje in zbiranje odpadkov, ali pa se povežite s prodajalno, kjer ste napravo kupili. Na ta način se lahko izdelek reciklira na neškodljiv način za okolje.



PRAVILNA UPORABA HLADILNIKA

Postavitev

- Pred uporabo hladilnika odstranite celotno embalažo, vključno s spodnjimi blazinicami, podstavki iz pene in trakovi v notranjosti hladilnika. Odlepите zaščitno folijo z vrat in ohišja hladilnika.
- V izogib nevarnosti za zadušitev embalažo in druge dele postavite izven dosega otrok.
- Hladilnika ne izpostavljajte virom toplote in direktnim sončnim žarkom. Da preprečite nastajanje rje ali zmanjšano učinkovitosti izolacije, hladilnika ne postavljajte na vlažna ali mokra mesta.
- Hladilnika ne škropite in ne umivajte. Ne postavljajte ga na vlažna mesta, na katerih bi lahko prišel v stik z vodo, kar bi vplivalo na učinkovitost električne izolacije hladilnika.
- Hladilnik postavite v zaprt prostor, na dobro prezračeno mesto. Podlaga mora biti ravna in trdna (če je naprava nestabilna, jo naravnajte z obračanjem kolesc za niveliranje v levo ali v desno).
- Naprave ne uporabljajte kot transportno sredstvo (kot npr. čoln itd.)
- Hladilnik mora biti postavljen ob zid, ob tem pa mora biti zaradi lažjega odvajanja toplote nad hladilnikom vsaj 30 cm prostora, razdalja do zida pa najmanj 10 cm.



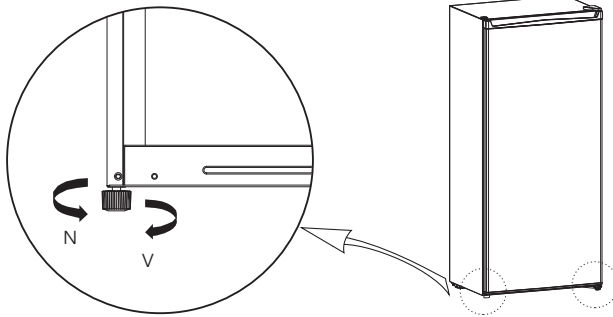
Previdnostni ukrepi pred namestitvijo:

Pred namestitvijo ali nastavljanjem dodatne opreme se prepričajte, da je hladilnik odklopljen iz električne napetosti.

Poskrbite za previdnostne ukrepe, da preprečite padanje ročaja in s tem poškodbe oseb.

Nivelirne nogice

Shematski prikaz
nivelirnih nogic



Zgornja slika je prikazana le v pojasnjevalne namene. Dejanska konfiguracija bo odvisna od kupljene naprave ali izjave distributerja.

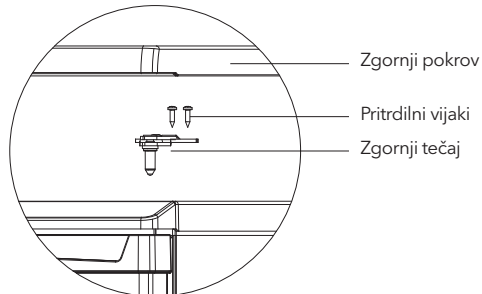
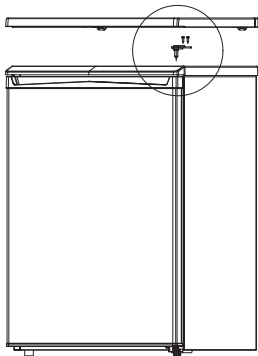
Postopek poravnave:

- Za dvig hladilnika obračajte nogice v smeri urnega kazalca.
- Za spust hladilnika obračajte nogice v nasprotni smeri urinega kazalca.
- Desno in levo nogico nastavljajte po zgornjih navodilih tako, da bo naprava stala vodoravno.

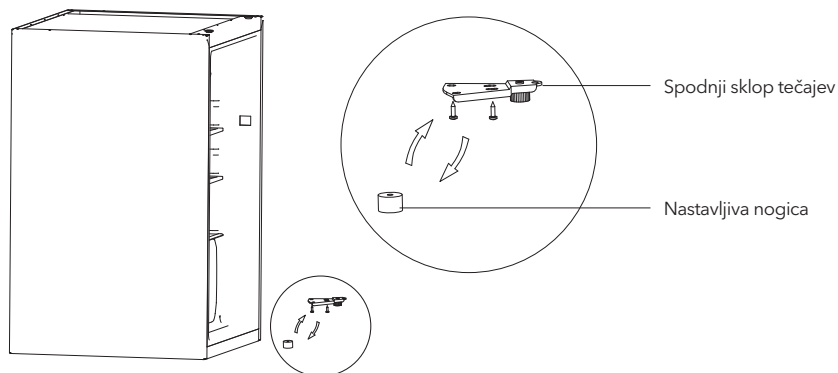
Sprememba smeri odpiranja vrat

Seznam orodja, ki ga zagotovi uporabnik			
	Križni izvijač		Lopatica Izvijač s ploščato konico
	Nasadni ključ 5/16"		Prekrivni lepilni trak

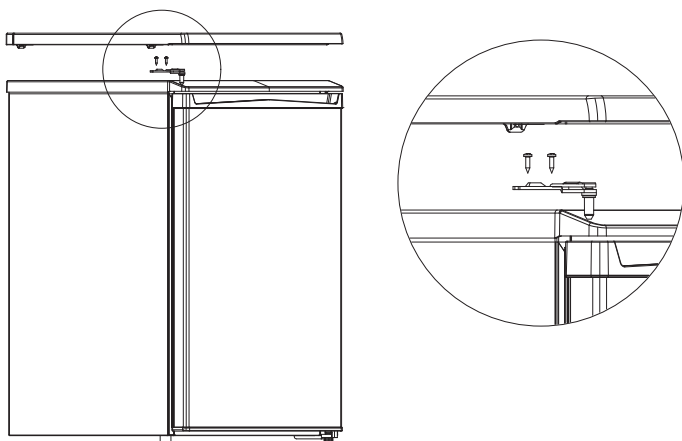
- Izklopite hladilnik in odstranite vse stvari, ki se nahajajo v policah v vratih.
- Odstranite zgornji pokrov in vijake zgornjega tečaja ter odstranite zgornji tečaj; ob tem pazite, da bodo vrata ves čas ostala v vertikalnem položaju, da ne padejo.



3. Razstavite vrata, spodnji sklop tečajev in nastavljivo nogico, nato sestavite spodnji sklop tečajev in nastavljivo nogico na drugi strani naprave.



4. Vrata namestite na spodnji tečaj in ponovno sestavite zgornji tečaj, vijake in zgornji pokrov.

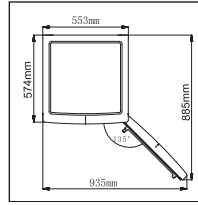


Zamenjava žarnice

Vsako zamenjavo ali vzdrževanje LED žarnice mora opraviti proizvajalec, njegov pooblaščen seriser ali druga kvalificirana oseba.

Začetek uporabe

- Po namestitvi hladilnika počakajte vsaj dve uri preden ga priključite na električno omrežje.
- Preden v hladilnik naložite kakršna koli sveža ali zamrznjena živila, mora hladilnik delovati 2 - 3 ure oziroma več kot 4 ure poleti, ko so sobne temperature višje.



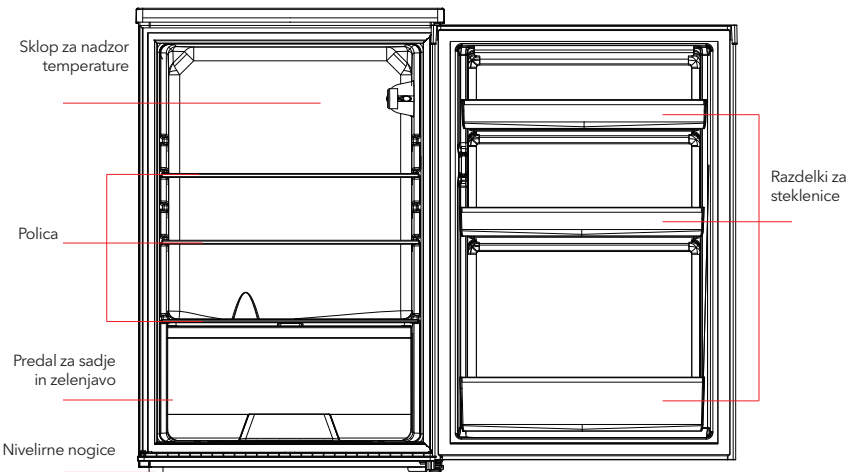
- Upoštevajte, da mora imeti hladilnik dovolj prostora za ustrezno odpiranje vrat in predalov, ali toliko prostora, kot ga je navedel prodajalec.

Nasveti za varčevanje z energijo

- Napravo morate namestiti v najhladnejši del prostora, v stran od naprav, ki oddajajo toploto, ali toplotnih vodov, in stran od direktne sončne svetlobe.
- Preden hrano shranite v napravo, počakajte da se ohladi na sobno temperaturo. Preobremenitev naprave z živila povzroči podaljšano delovanje kompresorja. Živila, ki ne zamrznejo dovolj hitro, lahko izgubijo na kakovosti ali se celo pokvarijo.
- Poskrbite, da živila pred shranjevanjem v napravo primerno zavijete in posodo obrišete do suhega. Na ta način zmanjšate možnost kopičenja leda v napravi.
- Posode za hranjenje živil v napravi ni potrebno obložiti z aluminijasto folijo, papirjem za peko ali papirnatimi brisačami. Materiali za oblaganje živil vplivajo na kroženje hladnega zraka, kar zmanjšuje učinkovitost naprave.
- Živila organizirajte in označite tako, da boste lahko redkeje odpirali vrata naprave in v njej krajši čas iskali, kar potrebujete. Iz naprave vzemite vse potrebno naenkrat in čim prej zaprite vrata.

ZGRADBA IN FUNKCIJE

Glavni sestavni deli

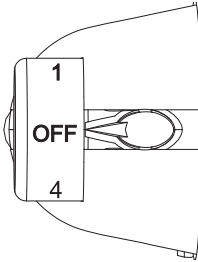


Zgornja slika je prikazana le v pojasnjevalne namene. Dejanska konfiguracija bo odvisna od kupljene naprave ali izjave distributerja.

Hladilna komora

- Hladilna komora je primerna za hranjenje različnega sadja, zelenjave, pijač in drugih živil, ki se porabijo v kratkem času.
- Toplotno obdelane hrane ne postavljajte v hladilno komoro, dokler se ne ohladi na sobno temperaturo.
- Priporočamo, da živila pred shranjevanjem v hladilnik hermetično zaprete.
- Za enostavnejšo uporabo naprave lahko steklene police nastavljate višje ali nižje glede na vaše potrebe za shranjevanje živil.
- **Opomba:** Shranjevanje prevelike količine živil med delovanjem hladilnika potem, ko je bila izvedena priključitev na električno omrežje, lahko negativno vpliva na delovanje zamrzovanja hladilnika.

Funkcije



Številke ne pomenijo specifične nastavljene temperature, temveč temperaturno raven.

“1” pomeni najtoplejšo nastavitvev.

“4” pomeni najhladnejšo nastavitvev.

Višja kot je številka, nižja je dejanska temperatura v hladilniku. “OFF” pomeni prenehanje delovanja.

Zgornja slika je prikazana le v pojasnjevalne namene. Dejanska konfiguracija bo odvisna od kupljene naprave ali izjave distributerja.

VZDRŽEVANJE IN SKRB ZA NAPRAVO

Čiščenje celotne naprave

- Za izboljšanje učinka hlajenja in za prihranek energije redno čistite prah izza hladilnika in na tleh. Da preprečite nastajanje neprijetnih vonjav, redno čistite notranjost hladilnika. Za čiščenje priporočamo mehke krpe ali gobice, navlažene z vodo in nekorozivnimi nevtralnimi detergenti. Hladilnik zaključite čistiti tako, da ga operete s čisto vodo in obrišete s suho krpo. Preden hladilnik ponovno zaženete, odprite njegova vrata, da se osuši na naraven način.
- Pri čiščenju hladilnika ne uporabljajte trdih ščetk, žice za čiščenje, žičnih krtač, abrazivnih sredstev, kot je zobna pasta, organskih topil (kot so alkohol, aceton, bananino olje itd.), vrele vode, kislih ali bazičnih sredstev, saj lahko to poškoduje zunanost in notranjost hladilnika.
- Ne splakujte hladilnika s tekočo vodo, da ne bi poškodovali električne izolacije.



Pred odtajanjem in čiščenjem hladilnik odklopite iz električnega omrežja.

Odtajanje

- Napajalni kabel izvlcite iz električne vtičnice.
- Odstranite živila iz hladilnika in jih uredite tako, da se ne bodo pokvarila, nato pa pripravite posodo za vodo, da se bo vanjo nabirala odtaljena voda.
- Priporočljivo je, da s suho krpo posušite odtaljeno vodo po površini in izparilniku, nato pa osušite krpo. Postopek ponavljajte dokler se odmrzovanje ne dokonča.
- Za odtajanje lahko uporabite sobno temperaturo, lahko pa za odstranjevanje leda uporabite tudi lopatico za led (da preprečite poškodbe na površini ali cevi, uporabljajte lesene ali plastične lopatice).
- Za pospešitev postopka odtajanja lahko uporabite tudi ustrezno količino vrele vode. S suho krpo pa pobrišete vodo po odtajanju.
- Živila ponovno shranite v hladilnik. Napravo nato priklopite na električno omrežje.

Prenehanje delovanja

- Izpad električne energije: če pride do izpada električne energije, lahko živila tudi poleti hranite v napravi še nekaj ur; med odsotnostjo električne napetosti zmanjšajte število odpiranj vrat hladilnika in v napravo ne dodajajte svežih živil.
- Dolgotrajna neuporaba: napravo odklopite iz električnega omrežja in jo očistite; nato vrata naprave pustite odprta, da preprečite nastanek neprijetnih vonjav.
- Premeščanje: pred premeščanjem hladilnika odstranite iz njegove notranjosti vse predmete, pritrđite steklene razdelke, posodo za sadje, predale komor za zamrzovanje itd. z lepilnim trakom in zategnite nogice za niveliranje. Vrata zaprite in jih zalepite z lepilnim trakom, da se ne bodo odpirala. Naprave med premeščanjem ne smete postavljati na glavo ali v vodoravni položaj in je tudi ne tresite. Kot nagiba naprave med premeščanjem ne sme presežati 45 °. Pri premikanju te naprave ni treba držati vrat in tečajev.



Naprava mora po vklopu ves čas delovati. Praviloma delovanja naprave ne smete prekinjati, saj bi lahko sicer prišlo do skrajšanja življenjske dobe izdelka.

ODPRAVLJANJE NAPAK

Spodaj navedene enostavne težave lahko poskusite odpraviti sami.

Če težav ne zmorete odpraviti sami, se povežite z oddelkom za podporo uporabnikom

Prenehanje delovanja	Preverite, ali je naprava priključena na električno omrežje in ali je vtič dobro pričvrščen v vtičnico. Preverite, ali je napetost prenizka. Preverite, ali je prišlo do izpada električne energije ali do delne prekinitve varovalk.
Vonjave	Hrano, ki oddaja močnejše vonjave, morate dobro zaviti. Preverite, ali se je hrana pokvarila. Očistite notranjost hladilnika.
Dolgotrajno delovanje kompresorja	Normalno je, da hladilnik poleti deluje dlje časa, saj je sobna temperatura višja. Ne priporočamo, da v napravo vstavite preveč živil naenkrat. Ne shranjujte hrane v napravo, dokler se ne ohladi. Prepogosto odpiranje vrat hladilnika.
Lučka se ne prižge	Preverite, ali je hladilnik priključen na električno omrežje. Preverite, ali je žarnica poškodovana. Poskrbite, da žarnico zamenja strokovna oseba.
Vrata se ne zapirajo pravilno	Ambalaža sa hranom blokira vrata uređaja. Prevelika količina hrane je stavljena u uređaj. Frižider je nakrenut.
Glasni zvoki	Preverite, ali je podlaga vodoravna in ali je hladilnik stabilno postavljen. Preverite, ali so dodatki hladilnika vstavljeni na pravilna mesta.
Tesnila vrat ne tesnijo dovolj čvrsto	Iz tesnil za vrata odstranite tujke. Tesnilo za vrata ogrejte in nato ohladite, da obnovite njegovo funkcijo (za ogrevanje uporabite sušilnik za lase ali vročo krpo).
Prelivanje vode iz posode za vodo	V komori je preveč živil ali pa ta vsebujejo preveč vode, kar povzroči intenzivno odtajanje. Vrata niso dobro zaprta, zato ob vstopu zraka nastaja led in posledično več vode zaradi odtajanja.
Vroče ohišje naprave	Izločena toplota vgrajenega kondenzatorja se odvaja skozi ohišje, kar je običajen pojav. Ko se ohišje pregreje zaradi previsoke sobne temperature, hranjenja prevelikih količin živil ali se je kompresor ugasnil, priporočamo dobro prezračevanje, s katerim se omogoči odvajanje toplote.

Nastajanje kondenzata na površini	Ko je koncentracija vlage v prostoru previsoka, prične nastajati kondenzat za zunanjih površinah in tesnilih na vratih hladilnika, kar je običajen pojav. Kondenzat enostavno obrišite s suho krpo.
Neobičajena buka	Brenčanje: med svojim delovanjem lahko kompresor brenči. To brenčanje je posebno glasno na začetku in ob koncu delovanja. To je običajen pojav. Škripanje: hladilno sredstvo lahko pri pretakanju skozi napravo povzroči škripanje, kar je običajen pojav.

Tabela 1 Klimatski razredi

Razred	Simbol	Razpon sobne temperature °C
Subnormalni	SN	+10 do +32
Normalni	N	+ 16 do +32
Subtropski	ST	+16 do + 38
Tropski	T	+ 16 do + 43

BEZBEDNOSNA UPOZORENJA

Upozorenje:



Upozorenje: rizik od požara / zapaljivih materijala

PREPORUKE:

- Ovaj uređaj je namenjen za upotrebu u domaćinstvima i sličnom okruženju poput kuhinja za osoblje u prodavnicama, kancelarijama i drugom radnom okruženju; poljoprivrednih domaćinstava i hotela, motela i ostalih objekata rezidencijalnog tipa, gde se stavlja na raspolaganje klijentima; objekata koji pružaju uslugu noćenja sa doručkom; keteringa i u slične neprodajne namene.
- Ukoliko je kabl za napajanje oštećen, potrebno je da njegovu zamenu obavi proizvođač, njegov ovlašćeni serviser ili lica sa sličnim kvalifikacijama kako bi se izbegao nastanak opasnosti.
- Ne čuvajte eksplozivne supstance poput aerosol boca sa zapaljivim potisnim gasom u uređaju.
- Uređaj je potrebno isključiti iz struje nakon upotrebe, a pre njegovog korisničkog održavanja.
- **UPOZORENJE:** Povedite računa da ventilacioni otvori ne budu blokirani unutar ugradnog dela ili ugradne konstrukcije za uređaj.
- **UPOZORENJE:** Ne upotrebljavajte mehanička sredstva ili druge postupke za ubrzavanje procesa otapanja, ukoliko nisu preporučeni od strane proizvođača.
- **UPOZORENJE:** Ne oštećujte instalacije za rashladno sredstvo.
- **UPOZORENJE:** Ne upotrebljavajte električne uređaje unutar pregrada za čuvanje hrane ovog uređaja, osim ukoliko su u pitanju tipovi preporučeni od strane proizvođača.
- **UPOZORENJE:** Frižider odložite u skladu sa lokalnim propisima jer se za njegov rad upotrebljavaju zapaljivi eksplozivni gas i rashladno sredstvo.
- **UPOZORENJE:** Prilikom pozicioniranja uređaja, uverite se da kabl za napajanje nije pritisnut ili oštećen.
- **UPOZORENJE:** Ne postavljajte prenosive produžne kablove sa više utičnica ili prenosive akumulatore iza uređaja.
- Ne upotrebljavajte produžne kablove ili neuzemljene (sa dva kraka) adaptere.
- **OPASNOST:** Rizik od zatvaranja dece unutar uređaja. Pre nego što odbacite svoj stari frižider ili zamrzivač:
 - Skinite vrata.
 - Ostavite police unutar uređaja kako deca ne bi mogla da se lako uvuku unutra.
- Pre nego to pokušate da instalirate neki prateći element, frižider morate isključiti iz struje.
- Rashladno sredstvo i penušavo sredstvo ciklopentan koji se koriste u okviru frižidera su zapaljivi. Stoga, prilikom odlaganja frižidera, držite ga dalje od izvora plamena i, umesto da ga odložite sagorevanjem, predajte ga nekoj od specijalizovanih kompanija sa odgovarajućim kvalifikacijama da omogući njegovo ponovno iskorišćenje, jer ćete na taj način sprečiti štetne efekte po životnu sredinu ili druge opasnosti.
- Za EN standard: Ovaj uređaj mogu upotrebljavati deca starosti od 8 ili više godina i osobe sa umanjnim fizičko-senzornim ili mentalnim sposobnostima ili nedostatkom iskustva i znanja ukoliko su pod nadzorom ili su upućeni u bezbedno korišćenje uređaja i shvataju opasnosti koje njegova upotreba nosi. Deca se ne smeju igrati uređajem. Deca ne smeju da obavljaju čišćenje i korisničko održavanje uređaja bez nadzora.
- Za IEC standard: Ovaj uređaj ne treba da upotrebljavaju osobe (uključujući decu) sa umanjnim fizičko-senzornim ili mentalnim sposobnostima ili nedostatkom iskustva i znanja, osim ukoliko su pod nadzorom ili ako ih je za korišćenje uređaja obučila osoba odgovorna za njihovu bezbednost.
- Decu je potrebno nadgledati kako biste bili sigurni da se ne igraju uređajem.

Značenje simbola bezbednosnih upozorenja



Ovo je simbol za zabranu. Svako nepoštovanje uputstava označenih ovim simbolom za rezultat može imati oštećenje proizvoda ili ugrožavanje lične bezbednosti korisnika.



Ovo je simbol za upozorenje. Neophodno je strogo poštovanje uputstava označenih ovim simbolom; u suprotnom, može doći do oštećenja proizvoda ili do povređivanja.



Ovo je simbol za oprez. Uputstva označena ovim simbolom zahtevaju poseban oprez. Nedovoljan oprez za rezultat može imati lakše ili umereno povređivanje ili oštećenje proizvoda.

Upozorenja u vezi sa električkom

- Ne izvlačite utikač za napajanje frižidera iz utičnice tako što ćete vući kabl za napajanje. Čvrsto uhvatite utikač i izvucite ga direktno iz utičnice.
- Kako biste omogućili bezbednu upotrebu, ne oštećujte kabl za napajanje i ne koristite uređaj ukoliko je kabl za napajanje oštećen ili istrošen.
- Ukoliko dođe do pojave buke, neprijatnog mirisa ili dima, odmah izvucite utikač za napajanje iz struje i obratite se distributeru ili lokalnom ovlašćenom serviseru.
- Koristite utičnicu namenjenu za ovaj uređaj i povedite računa da na istoj utičnici ne budu priključeni drugi električni uređaji. Utikač za napajanje treba da ima dobar kontakt sa utičnicom; u suprotnom, može doći do požara.
- Uverite se da je elektroda za uzemljenje u utičnici opremljena pouzdanom linijom za uzemljenje.
- Ukoliko dođe do curenja gasa ili drugih zapaljivih gasova, zatvorite ventil za gas koji curi, a zatim otvorite vrata i prozore. Ne isključujte frižider i druge električne uređaje iz struje, jer pojava varnica može da uzrokuje požar.
- Ne stavljajte električne uređaje na ovaj uređaj, osim ukoliko su u pitanju tipovi uređaja preporučeni od strane proizvođača.

Upozorenja u vezi sa upotrebom

- Nemojte proizvoljno demontirati ili ponovo sklapati frižider, niti oštećivati instalacije za cirkulisanje rashladnog sredstva; održavanje uređaja mora da obavlja stručno lice
- Kako bi se izbegla opasnost, zamenu oštećenog kabla za napajanje mora da obavi proizvođač, njegov sektor za održavanje ili slična stručna lica.
- Razmaci između vrata frižidera i između vrata i tela frižidera su mali; ne stavljajte ruke u ovaj prostor kako biste izbegli povređivanje prstiju. Vrata frižidera zatvarajte lagano kako biste izbegli padanje predmeta.
- Kako biste izbegli pojavu promrzlina, ne uzimajte vlažnim rukama hranu ili posude iz komore za zamrzavanje u toku rada frižidera; ovo se posebno odnosi na metalne sudove.
- Molimo vas da ne zavljučite ruke ispod ili iza uređaja, kako biste sprečili povređivanje
- Ne dozvoljavajte deci da ulaze u frižider ili da se penju po njemu; u suprotnom, može doći do gušenja ili povređivanja dece prilikom pada.
- Ne stavljajte teške predmete na gornju površinu frižidera, jer ovakvi predmeti mogu pasti prilikom otvaranja ili zatvaranja vrata, što za rezultat može imati nehotično povređivanje.
- U slučaju nestanka struje ili prilikom čišćenja, izvucite utikač iz utičnice. Ne povežite frižider na napajanje u toku narednih pet minuta kako biste sprečili oštećivanje kompresora nastalo usled više uzastopnih pokretanja.

Upozorenja u vezi sa sadržajem u uređaju

- Da biste sprečili oštećenja proizvoda ili pojavu požara, ne stavljajte u frižider zapaljiva, eksplozivna i isparljiva sredstva, kao ni predmete koji lako korodiraju.
- Da biste izbegli pojavu požara, ne stavljajte zapaljive predmete blizu frižidera.
- Frižider je namenjen za upotrebu u domaćinstvima, kao što je čuvanje hrane; ne sme se koristiti ni u kakve druge svrhe, kao što su skladištenje krvi, lekova ili bioloških proizvoda itd.

Upozorenja u vezi sa utroškom energije

1. Uređaji za rashlađivanje možda neće raditi ujednačeno (mogućnost otapanja sadržaja ili preteranog rasta temperature u pregradni za smrznutu hranu) ukoliko se tokom dužeg vremenskog perioda drže na temperaturama nižim od najniže vrednosti temperaturnih opsega za koje je uređaj za rashlađivanje napravljen.
2. Ne treba prekoračivati period čuvanja preporučen od strane proizvođača hrane za bilo koji tip hrane.
3. Neophodno je primeniti mere predostrožnosti za sprečavanje preteranog zagrevanja smrznute hrane prilikom otapanja uređaja za rashlađivanje, poput umotavanja hrane u nekoliko slojeva novinske hartije.
4. Ključeve, koji se upotrebljavaju za vrata ili poklopce opremljene bravama i ključevima, treba držati van domašaja dece, a ne u blizini uređaja za rashlađivanje, kako bi se sprečilo zaključavanje dece unutar uređaja.

Upozorenja u vezi sa odlaganjem



Rashladno sredstvo i penušavo sredstvo ciklopentan, koji se upotrebljavaju u frižideru, su zapaljivi. Stoga, prilikom odlaganja frižidera, držite ga dalje od izvora plamena i, umesto da ga odložite sagorevanjem, predajte ga nekoj od specijalizovanih kompanija sa odgovarajućim kvalifikacijama da omogući njegovo ponovno iskorišćenje, jer ćete na taj način sprečiti štetne efekte po životnu sredinu ili druge opasnosti.



Prilikom odlaganja frižidera, demontirajte vrata i uklonite zaptivku sa vrata, kao i police; vrata i police stavite na odgovarajuće mesto kako biste sprečili zatvaranje dece unutar uređaja.



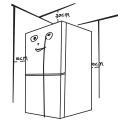
Pravilno odlaganje ovog proizvoda:

Ova oznaka ukazuje da ovaj proizvod ne treba odlagati zajedno sa ostalim otpadom iz domaćinstva. Kako biste sprečili potencijalnu štetu po životnu sredinu ili zdravlje ljudi nastalu nekontrolisanim odlaganjem otpada, odgovorno ga reciklirajte kako biste promovisali održivu ponovnu upotrebu materijalnih resursa. Molimo Vas da svoj polovni uređaj vratite putem sistema za vraćanje i prikupljanje otpada ili da kontaktirate prodavnicu u kojoj ste proizvod kupili. Ovim putem se proizvod može reciklirati na način bezbedan po životnu sredinu.

PRAVILNA UPOTREBA FRIŽIDERA

Pozicioniranje

- Pre upotrebe, uklonite celokupnu ambalažu, uključujući jastučiće na dnu, podmetače od pene i selotejp unutar frižidera; odlepite zaštitni film sa vrata i tela frižidera.
- Ostavite ambalažu i ostale delove van domašaja dece kako biste sprečili pojavu rizika od gušenja.
- Držite dalje od toplote i izbegavajte direktno izlaganje suncu. Zamrzivač ne postavljajte na vlažna ili mokra mesta da biste sprečili formiranje rđe ili umanjenje efekta izolacije.
- Frižider nemojte prskati niti prati; ne stavljajte frižider na vlažna mesta na kojima može lako doći u kontakt sa vodom, kako ovo ne bi nepovoljno uticalo na električnu izolaciju frižidera.
- Frižider se postavlja na dobro provetreno mesto u zatvorenom; podloga treba da bude ravna i čvrsta (ukoliko je uređaj nestabilan, zarotirajte toččić za nivelisanje ulivo ili uredno kako biste ga podesili).
- Ne upotrebljavajte uređaj u okviru transportnih sredstava (poput broda i tako dalje).
- Da omogućite rasipanje toplote, prostor iznad gornje površine frižidera treba da bude veći od 30 cm, a slobodni prostor između zadnjeg dela frižidera i zida treba da bude veći od 10 cm.

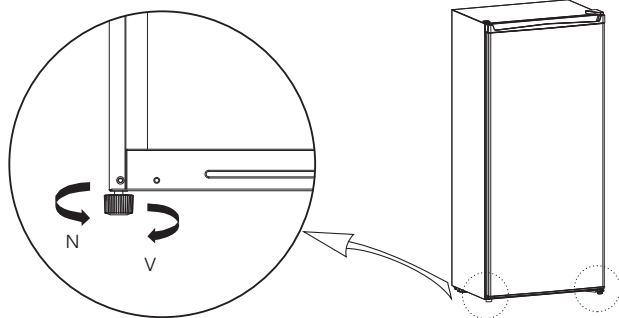


Mere predostrožnosti pre postavljanja:

Pre postavljanja ili podešavanja pratećih elemenata, uverite se da je frižider isključen iz struje. Preduzmite sve mere predostrožnosti da sprečite padanje ručke i povređivanje ljudi.

Nožice za nivelisanje

Šematski prikaz
nožica za nivelisanje

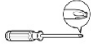
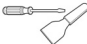




Slika iznad je prikazana isključivo u ilustrativne svrhe. Realna konfiguracija zavisiće od samog uređaja ili izjave distributera.

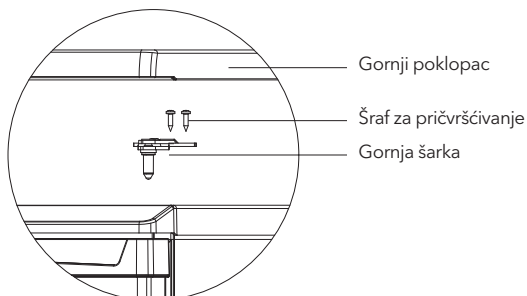
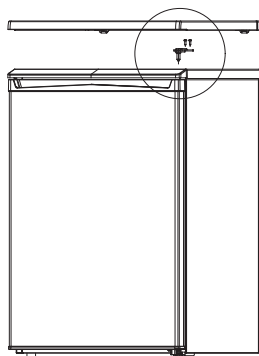
Postupak podešavanja:

- Da podignete frižider, nožice okrenite u smeru kretanja kazaljke na satu;
- Da spustite frižider, nožice okrenite u smeru suprotnom od kretanja kazaljke na satu;
- Desnu i levu nožicu podesite prema gore navedenoj proceduri tako da uređaj stoji horizontalno.

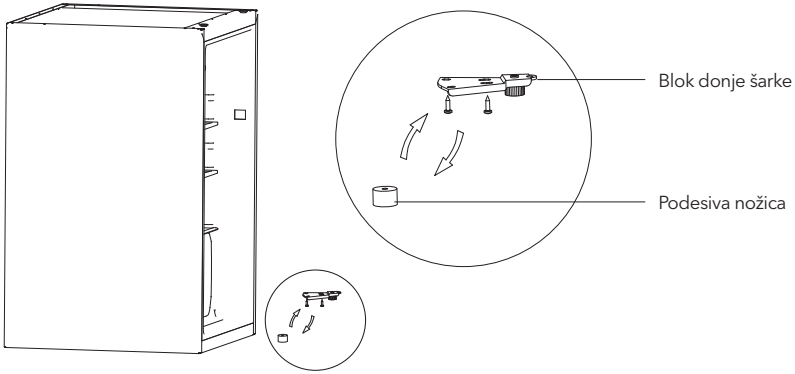
Promena pozicije vrata sa desne na levu stranu i obrnuto

Spisak alata koji treba da obezbedi korisnik			
	Krstasti odvijač		Spatula tanki, ravni odvijač
	Nasadni ključ od 5/16"		Krep traka

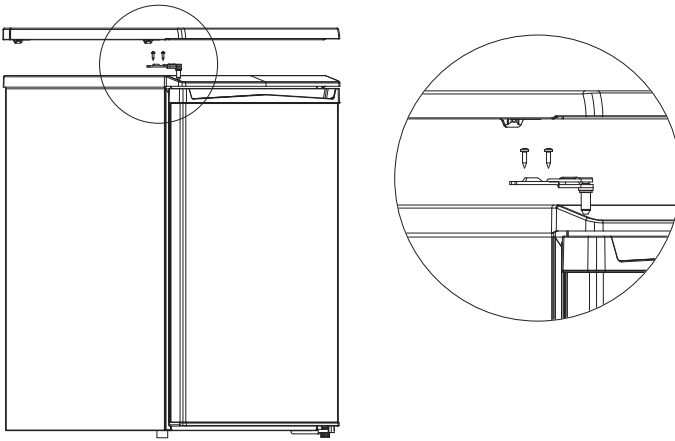
- Isključite frižider i izvadite sve predmete koji se nalaze na policama u vratima.
- Razmontirajte gornji poklopac, šrafove za pričvršćivanje gornje šarke i skinite gornju šarku; tokom čitavog postupka, vrata držite u vertikalnom položaju kako biste izbegli njihovo padanje.



3. Razmontirajte vrata, kao i blok donje šarke i podesivu nožicu, a zatim blok donje šarke i podesivu nožicu namontirajte na suprotnu stranu.



4. Postavite vrata na donju šarku i namontirajte gornju šarku, šrafove i gornji poklopac.

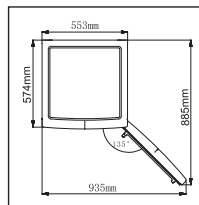


Zamena lampice

Svaku zamenu ili održavanje LED lampica treba da obavi proizvođač, njegov ovlašćeni serviser ili lice sa sličnim kvalifikacijama.

Početak upotrebe

- Pre prvog pokretanja, frižider ostavite da stoji dva sata pre nego što ga priključite na struju.
- Pre nego što stavite bilo kakvu svežu ili smrznutu hranu, frižider treba da radi 2-3 sata ili više od 4 sata tokom leta, kada je sobna temperatura povišena.



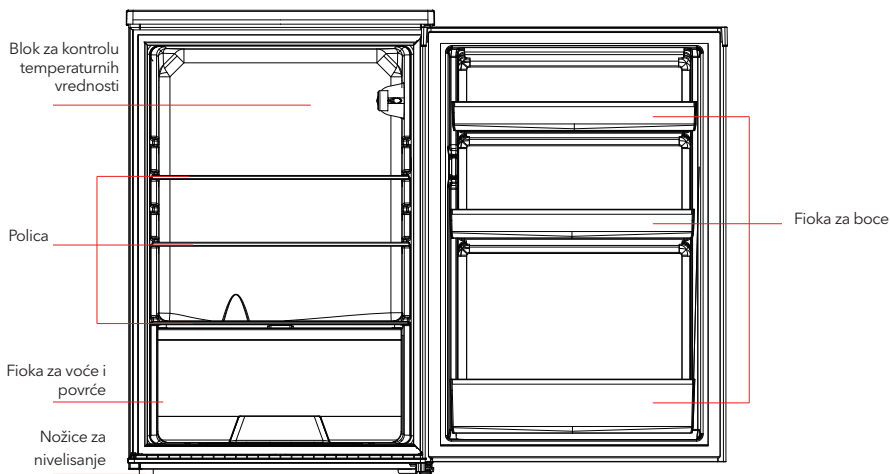
- Ostavite dovoljno prostora za odgovarajuće otvaranje vrata i fioka, ili onoliko prostora koliko je naveo distributer.

Saveti za uštedu energije

- Uređaj treba postaviti u najhladniji deo prostorije, dalje od uređaja koji stvaraju toplotu ili grejnih kanala, kao i direktnih sunčevih zraka.
- Pre nego što je stavite u uređaj, vrelu hranu ostavite da se ohladi do sobne temperature. Prepunjavanje uređaja primorava kompresor da radi duže. Hrana koja se hladi previše sporo može da izgubi na kvalitetu ili da se pokvari.
- Pobrinite se da, pre stavljanja u uređaj, hranu na odgovarajući način uvijete i da sudove obrišete tako da budu suvi. Na ovaj način redukujete formiranje leda unutar uređaja.
- Fioku za odlaganje hrane u uređaju ne treba oblagati aluminijumskom folijom, papirom za pečenje ili papirnim ubrusima. Materijali koji se koriste za oblaganje utiču na cirkulisanje hladnog vazduha, što umanjuje efikasnost uređaja.
- Organizujte i označite hranu kako biste ređe otvarali vrata uređaja i kraće tražili hranu. Odjednom izvadite sve što vam je potrebno i zatvorite vrata što pre možete.

STRUKTURA I FUNKCIJE

Glavne komponente

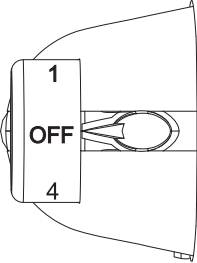


Slika iznad je prikazana isključivo u ilustrativne svrhe. Realna konfiguracija zavisiće od samog uređaja ili izjave distributera

Rashladna komora

- Rashladna komora je pogodna za odlaganje raznovrsnog voća, povrća, pića i druge hrane koja se konzumira u kratkom roku.
- Termički obrađenu hranu ne stavljajte u rashladnu komoru sve dok se ne ohladi do sobne temperature.
- Preporučljivo je da hranu hermetički zatvorite pre stavljanja u frižider.
- Staklene police možete postavljati na višim ili nižim nivoima kako biste dobili odgovarajući skladišni prostor
- **Napomena:** Stavljanje prevelike količine hrane nakon prvog uključivanja u struju može da nepovoljno utiče na funkciju zamrzavanja frižidera.

Funkcije



Cifre ne označavaju određenu temperaturu, već temperaturni nivo. „1“ označava najtoplije podešavanje „4“ označava najhladnije podešavanje Što je broj veći, realna temperatura unutar frižidera biće niža. „OFF“ znači da uređaj ne radi.

Slika iznad je prikazana isključivo u ilustrativne svrhe. Realna konfiguracija zavisice od samog uređaja ili izjave distributera.

ODRŽAVANJE I BRIGA O FRIŽIDERU

Čišćenje celokupnog uređaja

- Da biste unapredili efekat hlađenja i uštedu energije, redovno čistite prašinu iza frižidera i na podlozi. Da izbegnete stvaranje neprijatnih mirisa, redovno čistite unutrašnjost frižidera. Za čišćenje se preporučuju meke krpe ili sunder potopljeni u vodu sa nekorozivnim neutralnim deterdžentom. Na kraju postupka, frižider treba očistiti čistom vodom i suvom krpom. Pre nego što ga priključite na struju, otvorite vrata uređaja, kako bi se prirodno osušio.
- Ne upotrebljavajte tvrde četke, čelične žice za čišćenje, žičane četke, abrazivna sredstva poput pasta za zube, organske rastvarače (poput alkohola, acetona, ulja banane itd.), ključalu vodu, kisela ili alkalna sredstva prilikom čišćenja frižidera s obzirom da navedena sredstva mogu da oštete površine i unutrašnjost frižidera.
- Ne ispirajte vodom da ne biste oštetili materijale koji pružaju električnu izolaciju.



Prilikom otapanja i čišćenja, isključite frižider iz struje.

Otapanje

- Isključite kabl za napajanje iz struje.
- Izvadite hranu iz frižidera i odložite je na odgovarajući način kako biste sprečili njeno kvarenje, a zatim pripremite posudu za vodu u kojoj će se prikupljati voda nastala prilikom otapanja.
- Preporučuje se da se voda nastala prilikom otapanja upija sa površinskog sloja i isparivača suvom krpom, koju ćete zatim iscediti. Ponavljajte postupak sve dok se proces otapanja ne završi.
- Da eliminišete led, možete iskoristiti sobnu temperaturu za prirodno otapanje, a možete koristiti i lopaticu za led (upotrebljavajte plastične ili drvene lopatice za led kako biste sprečili oštećivanje površinskog sloja).
- Takođe, možete upotrebiti i odgovarajuću količinu vrele vode da ubrzate proces otapanja, u kombinaciji sa suvom krpom kojom ćete pokupiti vodu nakon otapanja.
- Vratite celokupnu hranu u uređaj i ponovo ga uključite u struju.

Prestanak rada

- Nestanak struje: Ukoliko dođe do nestanka struje, čak i tokom leta, hrana se unutar uređaja može držati po nekoliko sati; u toku nestanka struje, treba smanjiti broj otvaranja vrata i ne treba stavljati dodatnu svežu hranu u uređaj.
- Dugo nekorišćenje: Uređaj treba isključiti iz struje, a zatim očistiti; vrata treba ostaviti otvorena kako bi se sprečilo stvaranje neprijatnih mirisa.
- Premeštanje: Pre premeštanja frižidera, izvadite sve predmete iz njegove unutrašnjosti, pričvrstite staklene razdeonike, posudu za povrće, fiokve komore za zamrzavanje itd. selotejpom i zategnite nožice za nivelisanje; vrata zatvorite i pričvrstite ih selotejpom. Tokom premeštanja, uređaj ne postavljajte u obrnuti ili horizontalni položaj i nemojte ga tresti; stepen nagnutosti uređaja tokom premeštanja ne sme da bude više od 45°. Prilikom premeštanja, ne pridržavajte uređaj za vrata ili šarke.



Kada ga uključite, uređaj će neprekidno raditi. Generalno, ne prekidajte rad uređaja; u suprotnom, može doći do umanjenja radnog veka proizvoda.

OTKLANJANJE PROBLEMA

Dole navedene jednostavne probleme možete pokušati da sami razrešite. Ukoliko ih nije moguće rešiti, obratite se sektoru za usluge održavanja.

Prestanak rada	<p>Proverite da li je uređaj priključen na struju ili da li je kontakt između utikača i utičnice dobar</p> <p>Proverite da li je napon pre nizak</p> <p>Proverite da li je došlo do nestanka struje ili do iskakanja određenih osigurača</p>
Mirisi	<p>Hranu koja odaje jače mirise treba dobro uviti</p> <p>Proverite da li se neka hrana pokvarila</p> <p>Očistite unutrašnjost frižidera</p>
Dugotrajan rad kompresora	<p>Normalno je da frižider duže radi tokom leta, kada je spoljašnja temperatura povišena</p> <p>Ne preporučuje se da odjednom stavite preveliku količinu hrane u uređaj</p> <p>Pre stavljanja u uređaj, sačekajte da se hrana najpre ohladi</p> <p>Vrata se preterano često otvaraju</p>
Lampica se ne uključuje	<p>Proverite da li je frižider priključen na struju i da li je sijalica oštećena</p> <p>Postarajte se da lampicu zameni stručno lice</p>
Vrata frižidera se ne zatvaraju dobro	<p>Ambalaža sa hranom blokira vrata uređaja</p> <p>Prevelika količina hrane je stavljena u uređaj</p> <p>Frižider je nakrenut</p>
Glasna buka	<p>Proverite da li je podloga horizontalna i da li je frižider stabilno postavljen</p> <p>Proverite da li su prateći elementi postavljeni na odgovarajuća mesta</p>
Zaptivka za vrata ne prijanja dovoljno čvrsto	<p>Uklonite strane materije sa zaptivke za vrata</p> <p>Zagrejte zaptivku vrata, a zatim je ohladite kako biste je osvežili (da biste je zagrejali, produvajte je fenom za kosu ili upotrebite vrelu krpu).</p>
Posuda za vodu preliva	<p>U komori ima previše hrane ili hrana koja se čuva sadrži previše vode, što za rezultat ima intenzivno otapanje</p> <p>Vrata nisu dobro zatvorena, što za rezultat ima formiranje leda usled upliva vazduha i povećano stvaranje vode usled otapanja</p>
Pregrejan ugradni deo	<p>Toplota ugrađenog kondenzatora se rasipa kroz ugradni deo, što je normalna pojava</p> <p>Kada se ugradni deo pregreje usled povišene sobne temperature, čuvanja prevelike količine hrane ili prestanka rada kompresora, obezbedite neprekidnu ventilaciju, kojom ćete omogućiti rasipanje toplote</p>

Formiranje površinskog kondenza	Formiranje kondenza na spoljašnjim površinama i zaptivkama na vratima frižidera predstavlja normalnu pojavu kada je koncentracija vlage u prostoriji previsoka. Jednostavno obrišite kondenz čistom krpom.
Neuobičajena buka	Zujanje: Tokom rada, kompresor može da zuji, što se posebno glasno čuje na početku i na kraju rada. Ova pojava je normalna. Škripanje: Rashladno sredstvo koje teče unutar uređaja može da proizvodi škripu, što predstavlja normalnu pojavu.

Tabela 1 Klimatske klase

Klasa	Simbol	Raspon sobne temperature °C
Prošireno umerena	SN	+10 do +32
Umerena	N	+ 16 do +32
Suprotropska	ST	+16 do + 38
Tropska	T	+ 16 do + 43

SÄKERHET

WARNING:



WARNING: risk för brand/antändligt material.

REKOMMENDATIONER:

- Den här apparaten är avsedd att användas i hushåll och liknande tillämpningar, t.ex. kök i butiker, kontor och andra arbetsmiljöer, på bondgårdar, hotell, motell och andra bostadsutrymmen, i bed and breakfast-miljöer, i catering och liknande verksamheter som inte är avsedda för detaljhandel.
- Om nätsladden skadas måste den bytas ut av tillverkaren, dess serviceagent eller en person med liknande kvalifikationer för att undvika risker.
- Förvara inte explosiva material, t.ex. aerosolburkar som innehåller brännbara drivmedel, i apparaten.
- Apparaten måste kopplas ur efter användning och innan användaren utför underhållsarbete.
- **WARNING:** Håll ventilationsöppningarna i apparathuset eller den inbyggda konstruktionen fria.
- **WARNING:** Använd inte mekaniska anordningar eller andra medel för att påskynda avfrostningen.
- **WARNING:** Skada inte köldmediekretsen.
- **WARNING:** Använd inte andra elektriska apparater i apparaten om de inte är av den typ som rekommenderas av tillverkaren.
- **WARNING:** Kassera kylskåpet i enlighet med lokala bestämmelser eftersom det innehåller brandfarlig gas och köldmedium.
- **WARNING:** När du installerar apparaten ska du se till att nätsladden inte fastnar eller skadas.
- **WARNING:** Placera inte flera bärbara uttag eller bärbara elkällor bakom apparaten. Använd inte förlängningskabler eller ojordade adapterar.
- **FARA:** Risk för att barn fastnar. Innan du slänger ett gammalt kylskåp eller en gammal frys:
 - Ta bort dörrarna.
 - Lämna hyllorna på plats så att barn inte lätt kan klättra in.
- Kylskåpet måste kopplas ur eluttaget innan du börjar installera tillbehör. Köldmediet och isoleringsskummet som används i kylskåpet är brandfarliga. När kylskåpet skrotas måste det därför hållas borta från antändningskällor och materialet måste återvinnas av ett specialiserat återvinningsföretag med erforderliga kvalifikationer och får inte bortskaffas genom förbränning, för att undvika miljökador och andra skador.
- **För EN-standarden:** Denna apparat kan användas av barn från 8 år och äldre och av personer med nedsatt fysisk förmåga eller nedsatt mental kapacitet eller bristande erfarenhet eller kunskap, förutsatt att de övervakas eller instrueras i säker användning av apparaten och förstår riskerna. Barn får inte leka med apparaten. Barn får inte utföra rengörings- och underhållsarbeten utan övervakning.
- **För IEC-standarden:** Denna apparat är inte avsedd att användas av personer (inklusive barn) med nedsatt fysisk, sensorisk eller mental förmåga, eller som saknar tillräcklig erfarenhet eller kunskap, såvida de inte har övervakats eller instruerats i användningen av apparaten av en person som ansvarar för deras säkerhet.
- Barn måste övervakas så att de inte leker med utrustningen.

Varningssymboler



Detta är en förbudssymbol. Om du inte följer de instruktioner som är markerade med denna symbol kan produkten skadas eller användarens personliga säkerhet äventyras.



Detta är en varningssymbol. De instruktioner som är markerade med denna symbol måste följas noggrant, annars kan det leda till produktskador eller personskador.



Detta är en varnande symbol. Instruktioner som är markerade med denna symbol kräver särskild försiktighet. Otillräcklig försiktighet kan leda till mindre eller måttlig skada eller skada på produkten.

Elsäkerhet

- Dra inte i nätkabeln när du kopplar ur den. Ta ett fast grepp om kontakten och dra den rakt ut ur uttaget.
- För att säkerställa en säker användning får du inte skada nätkabeln och inte använda nätkabeln om den är skadad eller sliten.
- Om ljud, lukt eller rök förekommer, dra omedelbart ut kontakten ur uttaget och kontakta din återförsäljare eller ett lokalt servicecenter.
- Använd ett separat uttag, uttaget får inte delas med annan elektrisk utrustning. Strömkontakten måste vara ordentligt ansluten till uttaget, annars kan det uppstå brand.
- Kontrollera att uttaget är jordat.
- Om du upptäcker en läckande gasventil ska du stänga den och sedan öppna dörrar och fönster om gas eller andra brandfarliga ämnen läcker ut. Koppla inte ur kylskåpet och andra elektriska apparater, eftersom gnistor kan orsaka brand.
- Använd inte andra elektriska apparater ovanpå den här apparaten om de inte är av den typ som rekommenderas av tillverkaren.

Användningsvarningar

- Kylskåpet får inte demonteras eller byggas om och kylkretsen får inte skadas; underhåll av apparaten måste utföras av en specialist.
- En skadad elkabel måste bytas ut av tillverkaren, dess serviceavdelning eller liknande fackmän för att undvika risker.
- Springorna mellan kylskåpets dörrar och mellan dörrarna och kylskåpshuset är små; se till att inte placera handen i dessa områden för att undvika att fingrarna kläms. Var försiktig när du stänger kylskåpsdörren för att undvika fallande föremål.
- Ta inte upp mat eller kärl med våta händer från frysfacket medan kylskåpet är igång, särskilt inte metallbehållare, för att undvika frostsador.
- För att undvika skador får du inte lägga händerna under eller bakom apparaten.
- Låt inte barn gå in i eller klättra upp på kylskåpet, eftersom detta kan leda till att ett barn kvävs eller faller.
- Placera inte tunga föremål ovanpå kylskåpet; föremål kan falla ner när dörren stängs eller öppnas.
- Dra ur kontakten vid strömavbrott eller rengöring. Koppla inte in kylskåpet inom fem minuter för att undvika skador på kompressorn på grund av upprepade starter.

Varningar gällande placering

- För att undvika brandolyckor eller skador på produkten får du inte placera brännbara, explosiva, avdunstande eller starkt frätande föremål i kylskåpet.
- Placera inte brännbara föremål i närheten av kylskåpet för att undvika bränder.
- Kylskåpet är avsett för hushållsbruk, t.ex. för förvaring av livsmedel, och får inte användas för andra ändamål, t.ex. förvaring av blod, läkemedel, biologiska produkter osv.

Energirelaterade varningar

1. Kylskåp kan inte fungera jämnt (innehållet kan smälta eller temperaturen i det frysta matfacket kan bli för varm) om de placeras utanför drifttemperaturområdet under långa perioder.
2. Överskrid inte de lagringstider som rekommenderas av livsmedelstillverkarna för alla livsmedel.
3. Försiktighetsåtgärder som är nödvändiga för att undvika en alltför hög temperaturökning vid avfrostning: svep in maten i flera lager tidningspapper.
4. Nycklar till dörrar eller lock med lås ska förvaras utom räckhåll för barn och inte i närheten av apparaten för att förhindra att barn låser in sig i apparaten.

Kasseringsvarningar



Köldmediet och skumisoleringen som används i skåpet är brandfarliga. Därför måste kylskåpet hållas borta från förbränningskällor när det skrotas och materialet måste återvinnas av ett specialiserat återvinningsföretag med lämpliga kvalifikationer och får inte bortskaffas genom förbränning för att undvika miljö- och andra skador.



När kylskåpet skrotas måste dörrarna demonteras och dörr- och hylltätningarna avlägsnas; dörrarna och hyllorna måste placeras på ett lämpligt sätt så att barn inte kan fastna.



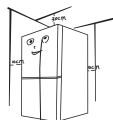
Korrekt kassering

Denna symbol visar att denna produkt inte får kastas bland hushållsavfall. För att undvika eventuella skador på miljön eller människors hälsa till följd av okontrollerad avfallshantering ska du återvinna på ett ansvarsfullt sätt för att främja hållbar återanvändning av materialresurser. Om du vill returnera en begagnad apparat kan du använda dig av retur- och insamlingssystem eller kontakta den återförsäljare som du köpte produkten av. De kan ta emot produkten för miljösäker återvinning.

KORREKT ANVÄNDNING

Placering

- Före användning ska du ta bort allt förpackningsmaterial, inklusive bottenkuddar, skumkuddar och tejp från kylskåpets insida, och riva bort skyddsfilmen från dörrarna och kylskåpet.
- Placera förpackningsmaterial och andra delar utom räckhåll för barn för att undvika risk för kvävning.
- Håll apparaten borta från värme och undvik direkt solljus. Placera inte frysen på blöta eller fuktiga platser för att förhindra rost eller förlust av isoleringsförmågan.
- Spruta eller tvätta inte kylskåpet och placera inte kylskåpet på fuktiga platser där vatten lätt stänker för att undvika att kylskåpets elektriska isoleringsegenskaper skadas.
- Kylskåpet ska placeras i ett välventilerat inomhusutrymme; underlaget ska vara plant och stabilt (justera hjulet till vänster eller höger för att justera nivån om apparaten är instabil).
- Använd inte apparaten i fordon (t.ex. båtar etc.).
- Lämna mer än 30 cm fritt utrymme ovanför kylskåpet, placera apparaten mot en vägg med ett fritt avstånd på mer än 10 cm mellan väggen och apparaten för att underlätta värmeavledningen.

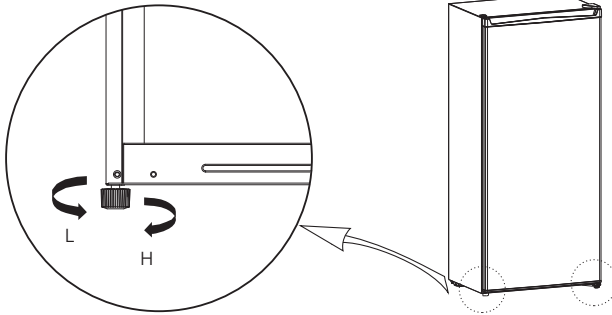


Säkerhetsåtgärder före installation:

Innan du installerar eller justerar tillbehör ska du se till att kylskåpet är bortkopplat från elnätet.

Balansering av fötterna

Schematiskt diagram av nivelleringsfötterna



Bilden ovan är endast avsedd som referens. Den faktiska konfigurationen beror på den fysiska produkten eller på återförsäljarens deklARATION.

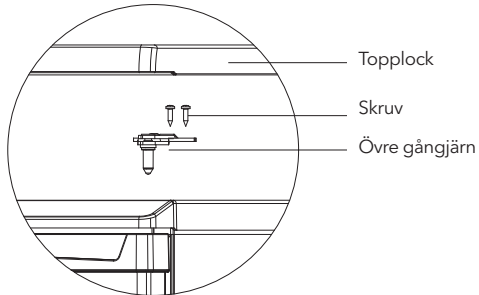
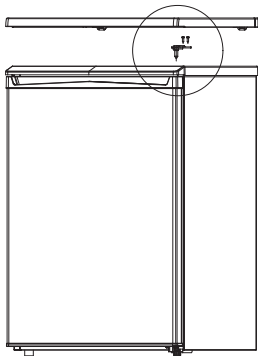
Regleringsåtgärder:

- Vrid benen medurs för att höja kylskåpet.
- Vrid benen moturs för att sänka kylskåpet.
- Justera den högra och vänstra foten till horisontellt läge i enlighet med ovanstående förfaranden.

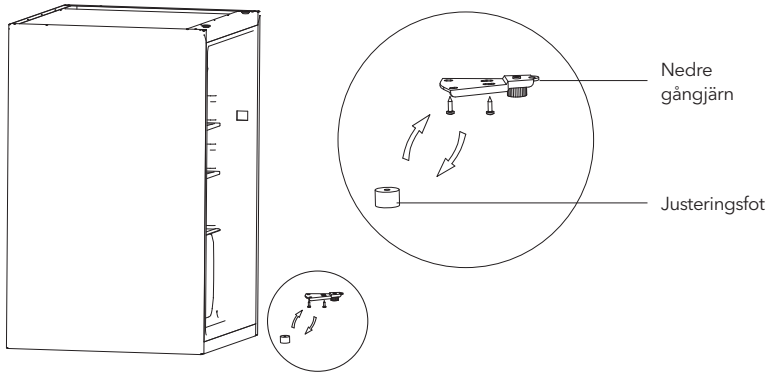
Byte av dörrens sida

Verktyg som behövs			
	Phillipsskruvmejsel		Spatel/skruvmejsel med smal ända
	5/16" hylsnyckel		Målartejp

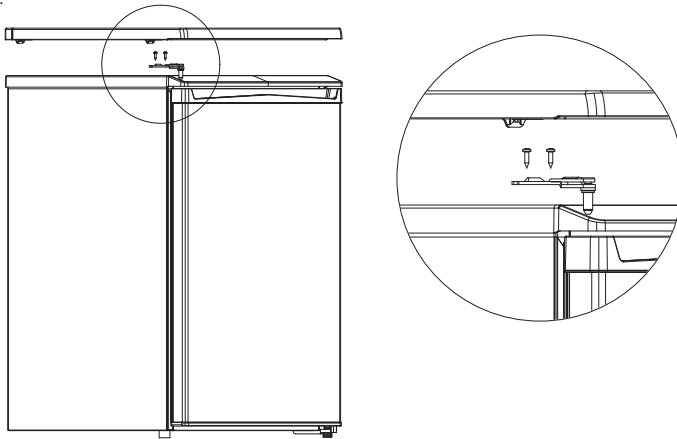
- Stäng av kylskåpet och ta bort alla föremål från dörrfacken.
- Ta bort topplocket, öppna skruvarna på det övre gångjärnet och ta bort det övre gångjärnet, håll dörren upprätt under hela processen för att förhindra att den faller.



3. Ta bort dörren, det nedre gångjärnet och den justerbara foten, montera det nedre gångjärnet och den justerbara foten på andra sidan.



4. Placera dörren på det nedre gångjärnet och montera det övre gångjärnet, skruvarna och det övre locket.

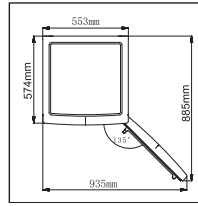


Lampbyte

Byte eller underhåll av LED-aramaturer ska utföras av tillverkaren, dess serviceagent eller en person med lämplig kompetens.

Driftsättning

- Före driftsättning av kylskåpet ska du hålla det stilla i två timmar innan du ansluter det till eluttaget.
- Innan du placerar färska eller frysta livsmedel i kylskåpet måste kylskåpet vara igång i 2-3 timmar, eller mer än 4 timmar om omgivningstemperaturen är hög.



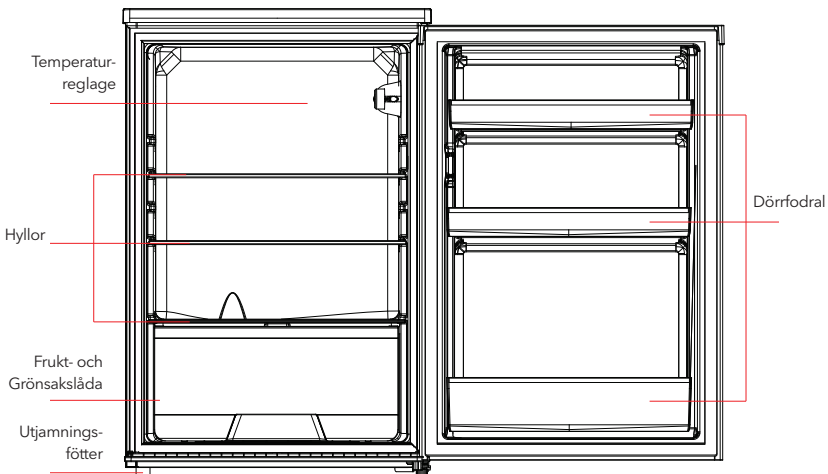
- Lämna tillräckligt med utrymme för att dörrar och lådor ska kunna öppnas på ett bekvämt sätt.

Tips för energibesparing

- Apparaten ska placeras i den svalaste delen av rummet, bort från värmealstrande apparater eller värmekanaler och utanför direkt solljus.
- Låt varma livsmedel svalna till rumstemperatur innan du placerar dem i apparaten. Om du överbelastar apparaten tvingas kompressorn att gå längre. Livsmedel som kyls ner för långsamt kan förlora sin kvalitet eller bli dåliga.
- Kom ihåg att packa in maten ordentligt och torka kärnen innan du placerar dem i apparaten. På så sätt minskar frostbildningen i apparaten.
- Fodra inte apparatens förvaringsfack med aluminiumfolie, vaxpapper eller pappershanddukar. Fodring hindrar cirkulationen av kall luft, vilket minskar apparatens effektivitet. Organisera och etikettera matvaror för att minska öppningsgångar och förkorta öppningstiderna. Ta bort så många föremål som möjligt i taget och stäng dörren så snart som möjligt.

STRUKTUR OCH FUNKTIONER

Key components

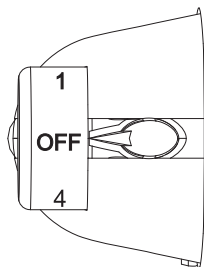


Bilden ovan är riktgivande. Använd den fysiska produkten som referens.

Kylskåpets innandöme

- Apparaten lämpar sig för förvaring av olika sorters frukt, grönsaker, drycker och andra livsmedel som snart ska konsumeras.
- Tillagade livsmedel bör inte placeras i kylskåpet förrän de har svalnat till rumstemperatur.
- Det rekommenderas att livsmedel förpackas innan de placeras i kylskåpet.
- Glashyllorna kan justeras uppåt eller nedåt för att få ett lämpligt frysrytmrum.
- **Obs:** Om du förvarar för mycket mat efter att strömmen just har slagits på kan det påverka kylskåpets frysformåga negativt.

Funktioner



Siffrorna hänvisar inte till en specifik inställningstemperatur utan till en temperaturnivå. "1" betyder den varmaste inställningen, "4" betyder den kallaste inställningen. Ju högre siffran är, desto lägre är kylskåpets faktiska temperatur. "OFF" innebär att driften stoppas.

Figuren intill är endast riktgivande. Använd den fysiska produkten som referens.

UNDERHÅLL OCH SKÖTSEL

Allmän rengöring

- Dammsug bakom kylskåpet och på golvet måste rengöras i tid för att förbättra kylprestanda och främja energibesparingar. Kylskåpets insida måste rengöras regelbundet för att undvika lukt. För rengöring rekommenderas en mjuk trasa eller en rengöringssvamp indränkt i vatten och neutralt rengöringsmedel. Slutligen ska kylskåpet rengöras med rent vatten och en torr trasa. Öppna dörren så att apparaten kan torka naturligt innan du slår på strömmen.
- Använd inte hårda borstar, stålull, metallborstar, slipmedel, organiska lösningsmedel (t.ex. alkohol, aceton etc.), kokande vatten, syror eller alkaliska ämnen för rengöring, eftersom de kan skada kylskåpets yta och insida.
- Skölj inte med vatten för att undvika att de elektriska isoleringsegenskaperna skadas.



Koppla ur kylskåpet för avfrostning och rengöring.

Avfrostning

- Koppla ur strömkabeln.
- Ta ut maten ur kylskåpet och placera den på rätt sätt för att förhindra att den förstörs, och förbered sedan en vattenbehållare för att förvara avfrostningsvattnet.
- Det rekommenderas att använda en torr handduk för att torka smältvattnet i packningarna och förångaren och sedan vrida handduken torr. Upprepa proceduren tills avfrostningen är klar.
- Du kan använda rumstemperatur för avfrostning, du kan också använda en trä- eller plastspatel för att ta bort frosten.
- Du kan också använda en lämplig mängd varmt vatten för att påskynda avfrostningen, torka apparaten med en torr handduk efter avfrostningen.
- Lägg tillbaka all mat och starta om apparaten.

Inte i funktion

- Strömavbrott: Under ett strömavbrott bör du undvika att öppna dörren och inte lägga in mat i apparaten.
- Långvarigt uppehåll i användningen: dra ur kontakten och rengör apparaten, låt dörren stå öppen för att förhindra lukt.
- Flyttning: Innan du flyttar kylskåpet ska du ta bort alla föremål från insidan, tejpa glashyllor, grönsakslådan, lådorna etc. och dra åt utjämningsfötterna; stäng dörren och tejpa den. Placera inte apparaten upp och ner eller horisontellt och skaka den inte under transporten; luta den endast upp till 45° under transport. Håll inte i dörren och gångjärnet när du flyttar apparaten.



Apparaten borde alltid hållas igång efter driftsättning. I allmänhet bör användandet inte avbrytas, eftersom apparatens livslängd annars kan förkortas.

FELSÖKNING

Du kan själv försöka lösa följande enkla problem. Om problemet inte kan lösas, kontakta ett servicecenter.

Apparaten fungerar inte	Kontrollera att apparaten är ansluten till elnätet och att kontakten sitter fast. Kontrollera om spänningen är för låg. Kontrollera om det är strömavbrott eller om en säkring har gått.
Apparaten luktar	Luktande mat måste packas tätt. Kontrollera om det finns rutten mat i kylskåpet. Rengör kylskåpets insida.
Kompressorn går länge	Det är normalt att kompressorn körs länge när rumstemperaturen är hög. Ha inte för mycket mat i apparaten samtidigt. Maten måste vara kall innan den placeras i apparaten. Dörren öppnas för ofta.
Lampan tänds inte	Kontrollera om kylskåpet är anslutet till strömförsörjningen och om lampan är skadad. Låt en specialist byta ut lampan.
Dörren kan inte stängas ordentligt	Matpaketen är fastklämda i dörren. För mycket mat har lagts i maskinen. Apparaten har lutats.
Högljudd drift	Kontrollera att golvet är jämnt och att kylskåpet står på en stabil plats. Kontrollera att tillbehören sitter på rätt plats.
Dörrtätningen är inte tät	Ta bort främmande material från tätningen. Värm dörrtätningen och forma den (du kan använda en värmepistol eller en varm handduk).
Vattenbehållaren svämmar över	Det finns för mycket mat i apparaten eller för mycket vatten i maten, vilket försvårar avfrostningen. Dörren är inte stängd ordentligt, vilket leder till frostbildning och ökad vattenmängd under avfrostningsprocessen.
Skrovet är varmt	Den inbyggda kondensatorn genererar värme i höljet, vilket är normalt. Höljet kan bli varmt på grund av den omgivande temperaturen. För mycket mat har lagrats. Se till att ventilationen är tillräcklig.

Kondensering	Kondens på kylskåpets yttre yta och på dörrtätningarna är normalt när luftfuktigheten i omgivningen är hög. Torka bort kondensvattnet med en ren handduk.
Onormalt ljud	Surrande: Kompressorn kan surra under drift, surret är högt, särskilt när den startar eller stannar. Detta är normalt. Knarrande: Köldmediet som flödar inuti enheten kan orsaka knarrande ljud, vilket är normalt.

Miljöklasser

Class	Miljöklass	Omgivande temperatur °C
Extended temperate	SN	+10 °C – +32 °C
Temperate	N	+16 °C – +32 °C
Subtropical	ST	+16 °C – +38 °C
Tropical	T	+16 °C – +43 °C

TESLA

tesla.info

