

TESLA

# SINGLE DOOR REFRIGERATOR

RS3600FM  
RS3600FMX

User Manual

ENG FIN FR HR HU RO SLO SRB SWE



Product images are for illustrative purposes only and may differ from the actual product.



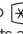

# SAFETY WARNINGS

## WARNING:



**Warning:** risk of fire / flammable materials

## RECOMMENDATIONS:

- This appliance is intended to be used in household and similar applications such as staff kitchen areas in shops, offices and other working environments; farm houses and by clients in hotels, motels and other residential type environments; bed and breakfast type environments; catering and similar non-retail applications.
  - If the supply cord is damaged, it must be replaced by the manufacturer, its service agent or similarly qualified persons in order to avoid a hazard.
  - Do not store explosive substances such as aerosol cans with a flammable propellant in this appliance.
  - The appliance has to be unplugged after use and before carrying out user maintenance on the appliance.
  - **WARNING:** Keep ventilation openings, in the appliance enclosure or in the built-in structure, clear of obstruction.
  - **WARNING:** Do not use mechanical devices or other means to accelerate the defrosting process, other than those recommended by the manufacturer.
  - **WARNING:** Do not damage the refrigerant circuit.
  - **WARNING:** Do not use electrical appliances inside the food storage compartments of the appliance, unless they are of the type recommended by the manufacturer.
  - **WARNING:** Please abandon the appliance according to local regulators for its use flammable blowing gas and refrigerant.
  - **WARNING:** When positioning the appliance, ensure the supply cord is not trapped or damaged.
  - **WARNING:** Do not locate multiple portable socket-outlets or portable power supplies at the rear of the appliance.
  - Do not use extension cords or ungrounded (two prong) adapters.
  - **DANGER:** Risk of child entrapment. Before you throw away the appliance:
    - Take off the doors.
    - Leave the shelves in place so that children may not easily climb inside.
  - The appliance must be disconnected from the source of electrical supply before attempting the installation of accessory.
  - Refrigerant and cyclopentane foaming material used for the refrigerator are flammable. Therefore, when the refrigerator is scrapped, it shall be kept away from any fire source and be recovered by a special recovering company with corresponding qualification other than be disposed by combustion, so as to prevent damage to the environment or any other harm.
  - For EN standard: This appliance can be used by children aged from 8 years and above and persons with reduced physical sensory or mental capabilities or lack of experience and knowledge if they have been given supervision or instruction concerning use of the appliance in a safe way and understand the hazards involved. Children shall not play with the appliance. Cleaning and user maintenance shall not be made by children without supervision. Children aged from 3 to 8 years are allowed to load and unload refrigerating appliances.
  - For IEC standard: This appliance is not intended for use by persons (including children) with reduced physical, sensory or mental capabilities, or lack of experience and knowledge, unless they have been given supervision or instruction concerning use of the appliance by a person responsible for their safety.)
  - Children should be supervised to ensure that they do not play with the appliance.
  - The instructions shall include the substance of the following: To avoid contamination of food, please respect the following instructions:
    - Opening the door for long periods can cause a significant increase of the temperature in the compartments of the appliance.
    - Clean regularly surfaces that can come in contact with food and accessible drainage systems.
    - Clean water tanks if they have not been used for 48 h; flush the water system connected to a water supply if water has not been drawn for 5 days. (note 1)
    - Store raw meat and fish in suitable containers in the refrigerator, so that it is not in contact with or drip onto other food.
    - Two-star  frozen-food compartments are suitable for storing pre-frozen food, storing or making ice-cream and making ice cubes. (note 2)
    - One , two  and three-star  compartments are not suitable for the freezing of fresh food. (note 3)
    - If the refrigerating appliance is left empty for long periods, switch off, defrost, clean, dry, and leave the door open to prevent mould developing within the appliance.
- Note 1,2,3: Please confirm whether it is applicable according to your product compartment type.

## Meaning of safety warning symbols



This is a prohibition symbol. Any incomppliance with instructions marked with this symbol may result in damage to the product or endanger the personal safety of the user.



This is a warning symbol. It is required to operate in strict observance of instructions marked with this symbol; or otherwise damage to the product or personal injury may be caused.



This is a cautioning symbol. Instructions marked with this symbol require special caution. Insufficient caution may result in slight or moderate injury, or damage to the product.

This manual contains lots of important safety information which shall be observed by the users.

## Electricity related warnings

- Do not pull the power cord when pulling the power plug of the refrigerator. Please firmly grasp the plug and pull out it from the socket directly.
- To ensure safe use, do not damage the power cord or use the power cord when it is damaged or worn.
- Please use a dedicated power socket and the power socket shall not be shared with other electrical appliances.  
The power plug should be firmly contacted with the socket or else fires might be caused.
- Please ensure that the grounding electrode of the power socket is equipped with a reliable grounding line.
- Please turn off the valve of the leaking gas and then open the doors and windows in case of leakage of gas and other flammable gases. Do not unplug the refrigerator and other electrical appliances considering that spark may cause a fire.
- Do not use electrical appliances on the top of the appliance, unless they are of the type recommended by the manufacturer.

## Warnings for using

- Do not arbitrarily disassemble or reconstruct the refrigerator, nor damage the refrigerant circuit; maintenance of the appliance must be conducted by a specialist.
- Damaged power cord must be replaced by the manufacturer, its maintenance department or related professionals in order to avoid danger.
- The gaps between refrigerator doors and between doors and refrigerator body are small, be noted not to put your hand in these areas to prevent from squeezing the finger. Please be gentle when open the refrigerator door to avoid falling articles.
- Do not pick foods or containers with wet hands in the freezing chamber when the refrigerator is running, especially metal containers in order to avoid frostbite.
- Do not allow any child to get into or climb the refrigerator; otherwise suffocation or falling injury of the child may be caused.
- Do not place heavy objects on the top of the refrigerator considering that objectives may fall when close or open the door, and accidental injuries might be caused.
- Please pull out the plug in case of power failure or cleaning. Do not connect the freezer to power supply within five minutes to prevent damages to the compressor due to successive starts.

## Warnings for placement

- Do not put flammable, explosive, volatile and highly corrosive items in the refrigerator to prevent damages to the product or fire accidents.
- Do not place flammable items near the refrigerator to avoid fires.
- The refrigerator is intended for household use, such as storage of foods; it shall not be used for other purposes, such as storage of blood, drugs or biological products, etc.
- Do not store beer, beverage or other fluid contained in bottles or enclosed containers in the freezing chamber of the refrigerator; otherwise the bottles or enclosed containers may crack due to freezing to cause damages.

## Warnings for energy

1. Refrigerating appliances might not operate consistently (possibility of defrosting of contents or temperature becoming too warm in the frozen food compartment) when sited for an extended period of time below the cold end of the range of temperatures for which the refrigerating appliance is designed.
2. The fact that effervescent drinks should not be stored in food freezer compartments or cabinets or in low-temperature compartments or cabinets, and that some products such as water ices should not be consumed too cold;
3. The need to not exceed the storage time(s) recommended by the food manufacturers for any kind of food and particularly for commercially quick-frozen food in food-freezer and frozen-food storage compartments or cabinets;
4. The precautions necessary to prevent an undue rise in the temperature of the frozen food while defrosting the refrigerating appliance, such as wrapping the frozen food in several layers of newspaper.
5. The fact that a rise in temperature of the frozen food during manual defrosting, maintenance or cleaning could shorten the storage life.
6. The necessity that, for doors or lids fitted with locks and keys, the keys be kept out of the reach of children and not in the vicinity of the refrigerating appliance, in order to prevent children from being locked inside

## Warnings for disposal



Refrigerant and cyclopentane foaming material used for the refrigerator are flammable. Therefore, when the refrigerator is scraped, it shall be kept away from any fire source and \ be recovered by a special recovering company with corresponding qualification other than be disposed by combustion, so as to prevent damage to the environment or any other harm.



When the refrigerator is scraped, disassemble the doors, and remove gasket of door and shelves; put the doors and shelves in a proper place, so as to prevent trapping of any child.



Correct Disposal of this product:

This marking indicates that this product should not be disposed with other household wastes throughout the EU. To prevent possible harm to the environment or human health from uncontrolled waste disposal, recycle it responsibly to promote the sustainable reuse of material resources. To return your used device, please use the return and collection systems or contact the retailer where the product was purchased. They can take this product for environmental safe recycling.

# PROPER USE OF REFRIGERATORS

## Placement

- Before use, remove all packing materials, including bottom cushions, foam pads and tapes inside of the refrigerator; tear off the protective film on the doors and the refrigerator body.
- Keep away from heat and avoid direct sunlight. Do not place the freezer in moist or watery places to prevent rust or reduction of insulating effect.
- Do not spray or wash the refrigerator; do not put the refrigerator in moist places easy to be splashed with water so as not to affect the electrical insulation properties of the refrigerator.
- The refrigerator is placed in a well-ventilated indoor place; the ground shall be flat, and sturdy (rotate left or right to adjust the wheel for leveling if unstable).
- The top space of the refrigerator shall be greater than 30cm, and The refrigerator should be placed against a wall with a free distance more than 10cm to facilitate heat dissipation.

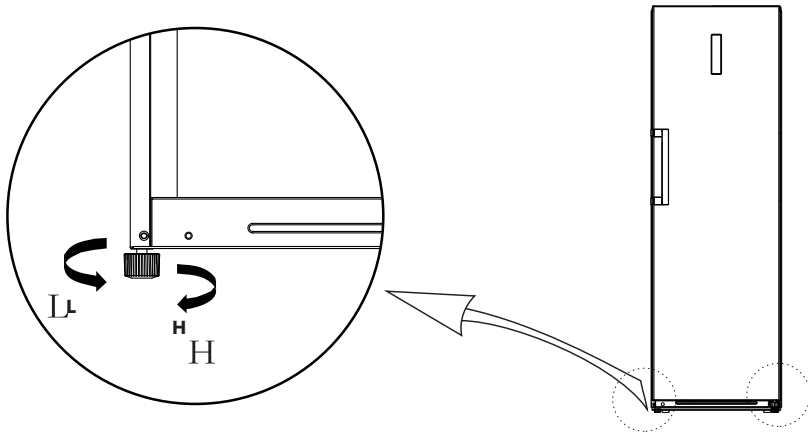
## Levelling feet

### 1. Precautions before operation:

Before operation of accessories, it shall be ensured that the refrigerator is disconnected from power.

Before adjusting the leveling feet, precautions shall be taken to prevent any personal injury.

### 2. Schematic diagram of the leveling feet

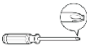

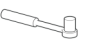



The picture above is only for reference. The actual configuration will depend on the physical product or statement by the distributor.

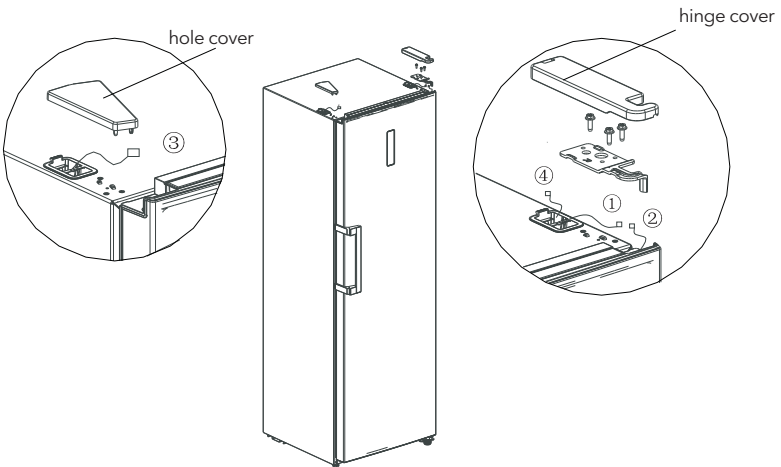
### 3. Adjusting procedures:

- a. Turn the feet clockwise to raise the refrigerator;
- b. Turn the feet counterclockwise to lower the refrigerator;
- c. Adjust the right and left feet based on the procedures above to a horizontal level.

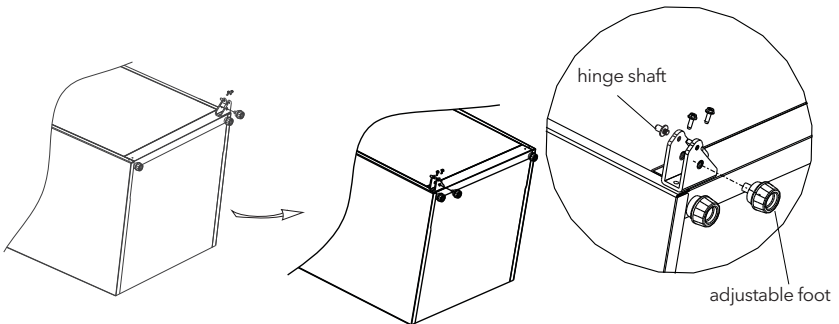
## 2.4 Door Rig (Ohptiotna-l) Left Change

List of tools to be provided by the user			
	Cross screwdriver		Putty knife thin-blade screwdriver
	5/16" socket and ratchet		Masking tape

1. Power off the refrigerator, and remove all object from the door trays.
2. Dismantle the screw hole caps, screws and handle, and remove the plastic screwhole caps from the other side. Please refer to chapter 2.2.
3. Dismantle the upper hinge cover, screws and upper hinge, and remove the hole cover from the other side. Unplug the wiring connector on the right side of refrigerator top ( 1, 2, wiring connector).

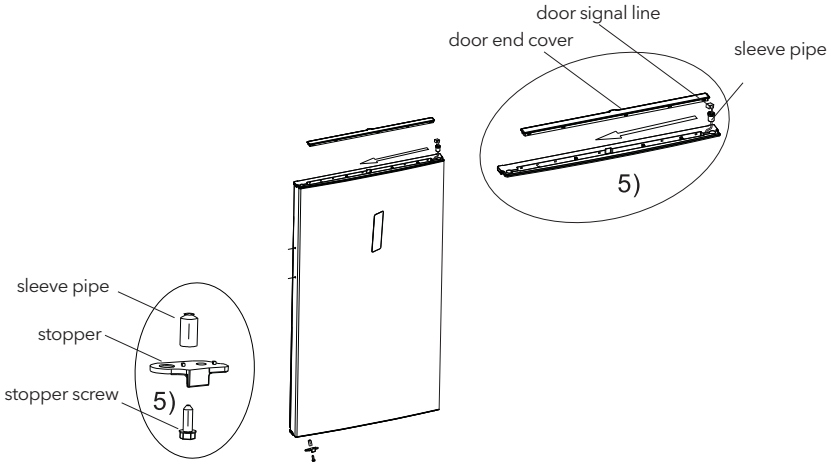


4. Dismantle the door and right bottom hinge assembly (hinge shaft and adjustable foot and hinge) and assembly the hinge shaft and adjustable foot on the other side of hinge, then assemble the whole hinge assembly on the other side of refrigerator.

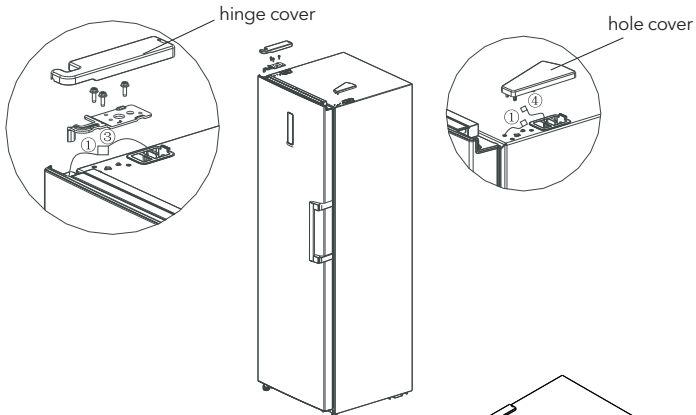


5. Remove the door end cover, install the upper hinge sleeve and door signal line to the other side and install the door end cover.

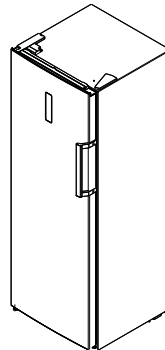
Dismantle the door stopper, sleeve pipe from the right bottom of door, insert the sleeve pipe into hinge hole of left bottom of door, assemble door stopper on left bottom of door.



6. Take out the left top hinge, left top hinge cover from accessories package, place the door on bottom hinge, and mount left top hinge. Connect signal line terminal 3. with signal line terminal 2. connect signal line terminal 1. with signal line terminal 4. mount top hinge cover and hole cover.

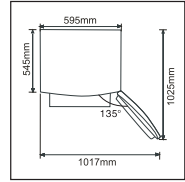


7. For the assembly of handle, please refer to chapter 2.2.



## Starting to use

- Before initial start, keep the refrigerator still for half an hour before connecting it to power supply.
- Before putting any fresh or frozen foods, the refrigerator shall have run for 2-3 hours, or for above 4 hours in summer when the ambient temperature is high.
- Spare enough space for convenient opening of the doors and drawers.
- The picture above is only for reference. The actual configuration will depend on the physical product or statement by the distributor

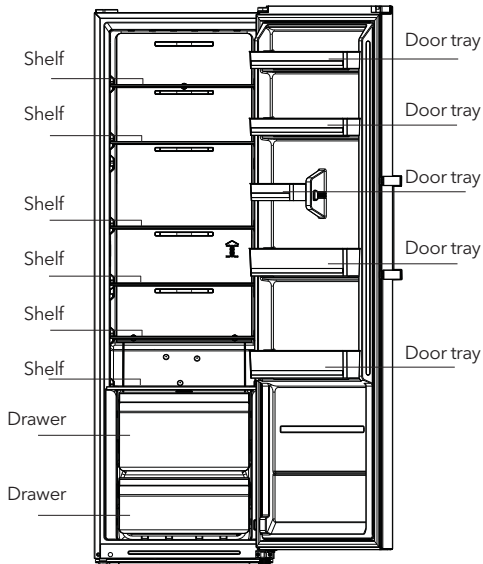


## Energy saving tips

- The appliance should be located in the coolest area of the room, away from heat producing appliances or heating ducts, and out of the direct sunlight.
- Let hot foods cool to room temperature before placing in the appliance. Overloading the appliance forces the compressor to run longer. Foods that freeze too slowly may lose quality, or spoil.
- Be sure to wrap foods properly, and wipe containers dry before placing them in the appliance. This cuts down on frost build-up inside the appliance.
- Appliance storage bin should not be lined with aluminum foil, wax paper, or paper toweling. Liners interfere with cold air circulation, making the appliance less efficient.
- Organize and label food to reduce door openings and extended searches. Remove as many items as needed at one time, and close the door as soon as possible.

# STRUCTURE AND FUNCTIONS

## Key components



The picture above is only for reference. The actual configuration will depend on the physical product or statement by the distributor.

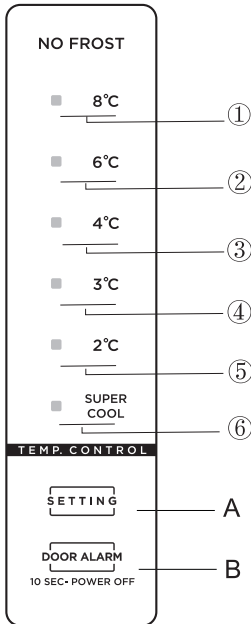


### Refrigerating chamber

- The Refrigerating Chamber is suitable for storage of a variety of fruits, vegetables, beverages and other food consumed in the short term.
- Cooking foods shall not be put in the refrigerating chamber until cooled to room temperature.
- Foods are recommended to be sealed up before putting into the refrigerator.
- The glass shelves can be adjusted up or down for a proper storage space and easy use.

**Note:** Storage of too much food during operation after the initial connection to power may adversely affect the freezing effect of the refrigerator. Foods stored shall not block the air outlet; or otherwise the freezing effect will also be adversely affected.

## Functions



### 1. Key

- A. Temperature setting button
- B. Standby button

### 2. Temperature icon

1. Setting 1: the setting temperature is 8°C
2. Setting 2: the setting temperature is 6°C
3. Setting 2: the setting temperature is 4°C
4. Setting 2: the setting temperature is 3°C
5. Setting 2: the setting temperature is 2°C
6. Setting 2: Super cool

The picture above is only for reference. The actual configuration will depend on the physical product or statement by the distributor.

### 3. When the fridge power is on:

All temperature icons shine within 3s after power on, for power on at the first time, the default set temperature is 4°C.

After that, every time you start the fridge, it will run in accordance with the set temperature before last power off.

## Display of normal running

On the occurrence of a failure, the corresponding icons will give a combined blink: the error codes and types are shown as follows:

### Refrigerator


Error Code	Error Description	Display
<b>E1</b>	Temperature sensor of Refrigerator room fail	Icon „SUPER <sub>cool</sub> “ & Icon “2” shine at same time
<b>E2</b>	Defrosting sensor of Refrigerator room fail	Icon „SUPER <sub>cool</sub> “ & Icon “3” shine at same time
<b>E6</b>	Communication error	Icon “2” & Icon “4” shine at same time
<b>E7</b>	Ambient temperature sensor error	Icon „SUPER <sub>cool</sub> “ & Icon “4” shine at same time

If no failure, the screen displays the setting temperature of the refrigerator room.

## Standby function

Long press the standby button  for the 10 seconds to set the standby function.

## Temperature setting

The temperature setting will be changed once you pres button . Then, the refrigerator will run according to the new temperature setting after 15s.



# MAINTENANCE AND CARE OF THE APPLIANCE

## Overall cleaning

- Dusts behind the refrigerator and on the ground shall be timely cleaned to improve the cooling effect and energy saving.
- Check the door gasket regularly to make sure there are no debris. Clean the door gasket with a soft cloth dampened with soapy water or diluted detergent.
- The interior of the refrigerator should be cleaned regularly to avoid odor.
- Please turn off the power before cleaning interior, remove all foods, drinks ,shelves, drawers, etc.
- Use a soft cloth or sponge to clean the inside of the refrigerator, with two tablespoons of baking soda and a quart of warm water. Then rinse with water and wipe clean. After cleaning, open the door and let it dry naturally before turning on the power.
- For areas that are difficult to clean in the refrigerator (such as narrow sandwiches, gaps or corners), it is recommended to wipe them regularly with a soft rag, soft brush, etc. and when necessary, combined with some auxiliary tools (such as thin sticks) to ensure no contaminants or bacterials accumulation in these areas.
- Do not use soap, detergent, scrub powder, spray cleaner, etc., as these may cause odors in the interior of the refrigerator or contaminated food.
- Clean the bottle frame, shelves and drawers with a soft cloth dampened with soapy water or diluted detergent. Dry with a soft cloth or dry naturally.

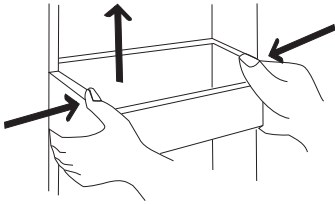
- Wipe the outer surface of the refrigerator with a soft cloth dampened with soapy water, detergent, etc., and then wipe dry.
- Do not use hard brushes, clean steel balls, wire brushes, abrasives (such as toothpastes), organic solvents (such as alcohol, acetone, banana oil, etc.), boiling water, acid or alkaline items, which may damage the fridge surface and interior. Boiling water and organic solvents such as benzene may deform or damage plastic parts.
- Do not rinse directly with water or other liquids during cleaning to avoid short circuits or affect electrical insulation after immersion.



Please unplug the refrigerator for defrost and cleaning.

## Cleaning of door tray, Fruits and vegetables box and drawer

- According to the direction arrow in the figure below, use both hands to squeeze the tray, and push it upward, then you can take it out.
- After washing the tray having been taken out, you can adjust its installing height in accordance with your requirement.  
Soft towels or sponge dipped in water and non-corrosive neutral detergents are suggested for cleaning. The freezer of shall be finally cleaned with clean water and dry cloth. Open the door for natural drying before the power is turned on.  
Do not use hard brushes, clean steel balls, wire brushes, abrasives, such as toothpastes, organic solvents (such as alcohol, acetone, banana oil, etc.), boiling water, acid or alkaline items clean refrigerator considering that this may damage the fridge surface and interior.



The picture above is only for reference.  
The actual configuration will depend on the physical product or statement by the distributor.

## Cleaning of Glass shelf

- As the innermost part of the refrigerator liner where contacting the shelves has a backstop, you shall raise the shelves upward, then you can be able to take it out.
- Adjust or clean the shelves according to your requirement.  
Soft towels or sponge dipped in water and non-corrosive neutral detergents are suggested for cleaning. The freezer of shall be finally cleaned with clean water and dry cloth. Open the door for natural drying before the power is turned on.  
Do not use hard brushes, clean steel balls, wire brushes, abrasives, such as toothpastes, organic solvents (such as alcohol, acetone, banana oil, etc.), boiling water, acid or alkaline items clean refrigerator considering that this may damage the fridge surface and interior.

## Defrosting

- The refrigerator is made based on the air-cooling principle and thus has automatic defrosting function. Frost formed due to change of season or temperature may also be manually removed by disconnection of the appliance from power supply or by wiping with a dry towel.

## Out of operation

- Power failure: In case of power failure, even if it is in summer, foods inside the appliance can be kept for several hours; during the power failure, the times of door opening shall be reduced, and no more fresh food shall be put into the appliance.
- Long-time nonuse: The appliance shall be unplugged and then cleaned; then the doors are left open to prevent odor.
- Moving: Before the refrigerator is moved, take all objects inside out, fix the glass partitions, vegetable holder, freezing chamber drawers and etc. with tape, and tighten the leveling feet; close the doors and fix them with tape. During moving, the appliance shall not be laid upside down or horizontally, or be vibrated; the inclination during movement shall be no more than 45°.



The appliance shall run continuously once it is started. Generally, the operation of the appliance shall not be interrupted; otherwise the service life may be impaired.

## TROUBLESHOOTING

You may try to solve the following simple problems by yourself.  
If them cannot be solved, please contact the after-sales department.

Failed operation	<p>Check whether the appliance is connected to power or whether the plug is in well contact</p> <p>Check whether the voltage is too low</p> <p>Check whether there is a power failure or partial circuits have tripped</p>
Odor	<p>Odorous foods shall be tightly wrapped</p> <p>Check whether there is any rotten food</p> <p>Clean the inside of the refrigerator</p>
Long-time operation of the compressor	<p>Long operation of the refrigerator is normal in summer when the ambient temperature is high</p> <p>It is not suggestible having too much food in the appliance at the same time</p> <p>Food shall get cool before being put into the appliance</p> <p>The doors are opened too frequently</p>
Light fails to get lit	<p>Check whether the refrigerator is connected to power supply and whether the illuminating light is damaged</p> <p>Have the light replaced by a specialist</p>
Doors cannot be properly closed	<p>The door is stuck by food packages</p> <p>The refrigerator is tilted</p>

Loud noise	Check whether the floor is level and whether the refrigerator is placed stably Check whether accessories are placed at proper locations
Door seal fails to be tight	Remove foreign matters on the door seal Heat the door seal and then cool it for restoration (or blow it with an electrical drier or use a hot towel for heating)
Water pan overflows	There is too much food in the chamber or food stored contains too much water, resulting in heavy defrosting The doors are not closed properly, resulting in frosting due to entry of air and increased water due to defrosting
Hot housing	Heat dissipation of the built-in condenser via the housing, which is normal. When housing becomes hot due to high ambient temperature and storage of too much food, it is recommended to provide sound ventilation to facilitate heat dissipation.
Surface condensation	Condensation on the exterior surface and door seals of the refrigerator is normal when the ambient humidity is too high. Just wipe the condensate with a clean towel.
Abnormal noise	Buzz: The compressor may produce buzzes during operation, and the buzze: are loud particularly upon start or stop. This is normal. Creak: Refrigerant flowing inside of the appliance may produce creak, which is normal.

# TURVALLISUUSVAROITUKSET

## VAROITUS:



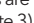
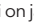


**Varoitus:** palovaara / syttyvä materiaali

## SUOSITUKSET:

- Tämä laite on tarkoitettu käytettäväksi kotitalouksissa ja vastaavissa sovelluksissa, kuten henkilökunnan keittiöalueilla kaupoissa, toimistoissa ja muissa työympäristöissä; maataloissa ja asiakkaiden toimista hotelleissa, motelleissa tai muissa asuinympäristöissä ympäristöissä; makuuhuoneen ja aamiaisen tyyppiset ympäristöt; catering ja vastaavat muut kuin vähittäiskaupan sovellukset.
- Jos syöttökaapeli on vaurioitunut, sen on vaihdettava valmistajan, sen huoltovirkailijan tai vastaavalla tavalla pätevän henkilön toimesta vaaran välttämiseksi.
- Älä säilytä räjähtäviä aineita, kuten aerosoliastioita, joissa on syttyvä moottori tässä laitteessa.
- Laitte on irrotettava käytön jälkeen ja ennen laitteen käyttäjän huoltoa.
- VAROITUS:** Pidä ilmanvaihtoaukot laitteen sisällä tai sisäänrakennetussa rakenteessa esteettöminä.
- VAROITUS:** Älä käytä mekaanisia laitteita tai muita keinoja jäädyttämisen nopeuttamiseksi muut kuin valmistajan suosittelemat menetelmät.
- VAROITUS:** Älä vahingoita jäähdytysjärjestelmää.
- VAROITUS:** Älä käytä sähkölaitteita laitteen elintarvikkeiden varastojen sisällä, ellei ne ole valmistajan suosittelemia.
- VAROITUS:** Jätä laite paikallisten sääntelyviranomaisten mukaan, koska siinä käytetään syttyviä tuuletuskaasuja ja jäähdytysnestettä.
- VAROITUS:** Kun asennat laitteen, varmista, että syöttökaapeli ei ole jumissa tai vaurioitunut.
- VAROITUS:** Älä aseta useita kannettavia pistorasioita tai kannettavaa virtalähteitä laitteen takaosaan.
- Älä käytä laajennuskaapeleita tai maadoittamattomia (kaksi piikkiä) sovitimia.
- VAARA:** Lapsen loukkaantumisen riski. Ennen kuin heität laitteen pois: Ota ovet pois.
- Jätä hyllyt paikoilleen, jotta lapset eivät pääse helposti sisään.
- Laitte on irrotettava virtalähteestä ennen lisälaitteen asennusta.
- Jäähdytys- ja syklopentaanivaahdot materiaali, jota käytetään jääkaapissa, ovat syttyviä. Kun jääkaappi hävitetään, se on säilytettävä kaukana tulipalon lähteestä ja sen on palautettava erityisellä talteenottoyhtiöllä, jolla on vastaava pätevyys, joka

ei ole hävittäminen polttamalla, jotta vältetään ympäristövahinko tai muu vahinko.

- EN-standardi: Tätä laitetta voivat käyttää yli 8-vuotiaat lapset ja henkilöt, joilla on heikentynyt fyysinen aisti- tai mielenterveys kyvyt tai kokemuksen ja tietämyksen puute, jos heille on annettu valvontaa tai ohjeita laitteen turvallisesta käytöstä ja he ymmärtävät siihen liittyvät vaarat. Lapset eivät saa leikkiä laitteen kanssa. Puhdistusta ja huoltoa ei saa tehdä ilman lasten valvontaa. 3-8-vuotiaat lapset saavat ladata ja purkaa jääkaappia.
- Tämä laite ei ole tarkoitettu sellaisten henkilöiden (myös lasten) käyttöön, joilla on heikentynyt fyysinen, aisti- tai henkinen kyky tai kokemuksen ja tietämyksen puute, ellei heille ole annettu valvontaa tai ohjeita laitteen käytöstä heidän turvallisuudestaan vastaavan henkilön toimesta.
- Lapsia on valvottava sen varmistamiseksi, että he eivät leiki laitteen kanssa.
  - Ohjeiden tulee sisältää seuraavat aineet: Elintarvikkeiden saastumisen välttämiseksi noudata seuraavia ohjeita:
    - Oven avaaminen pitkään voi aiheuttaa merkittävän lämpötilan nousun laitteen tiloissa.
    - Puhdista säännöllisesti pinnat, jotka voivat joutua kosketuksiin elintarvikkeiden kanssa ja helposti saatavilla olevat viemärintyjärjestelmät.
    - Puhdista vesisäiliöt, jos niitä ei ole käytetty 48 tuntia; huuhtelee vesijärjestelmä, joka on liitetty vesihuoltoon, jos vettä ei ole vedetty 5 päivän ajan. (note 1)
    - Säilytä raakaa lihaa ja kalaa asianmukaisissa säiliöissä jääkaapissa, jotta se ei joudu kosketuksiin muiden elintarvikkeiden kanssa
    - Kaksi tähteä  jäädytetyt elintarvikkeiden tilat soveltuvat ennalta jäädytetyn ruoan säilyttämiseen, jäätelön varastointiin tai valmistukseen sekä jääkiekkojen valmistukseen. (note 2)
    - Yksi , kaksi  ja kolme tähteä  compartments are not suitable for the freezing of fresh food. (note 3)
    - Jos jääkaappi on jätetty tyhjäksi pitkään aikaan, sammuta, irrota, puhdista, kuivaa ja jätä ovi auki estämään muotin kehittymistä laitteen sisällä.

Huomautus 1,2,3: Varmista, että se on sovellettavissa tuotteen tilatyyppin mukaa.

## Turvallisuusvaroitusymbolien merkitys



Se on kiellon symboli. Tämän symbolin merkittyjen ohjeiden noudattamatta jättäminen voi aiheuttaa tuotteen vaurioitumista tai vaarantaa käyttäjän henkilökohtaisen turvallisuuden.



Tämä on varoitusmerkki. Se on velvollinen toimimaan tiukasti noudattaen ohjeita, jotka on merkitty tällä symbolilla; tai muutoin vahinkoa tuotteeseen tai henkilövahinko voi aiheutua.



Tämä on varoitusmerkki. Ohjeet, jotka on merkitty tällä symbolilla, vaativat erityistä varovaisuutta Riittämätön varovaisuus voi aiheuttaa lieviä tai kohtalaisia vammoja tai vahingoittaa tuotetta.

Tämä käsikirja sisältää monia tärkeitä turvallisuustietoja, joita käyttäjän on noudatettava.

## Sähköön liittyvät varoitukset

- Älä vedä virtajohtoa, kun vedät jääkaapin virtalähteen. Ota kytkin tiukasti kiinni ja vedä se suoraan ulos kytkimestä.
- Turvallisen käytön varmistamiseksi älä vahingoita virtajohtoa tai käytä virtalähteä, kun se on vaurioitunut tai kulunut.
- Käytä erityistä virtalähteä, eikä sitä saa jakaa muiden sähkölaitteiden kanssa.
- Virtalähteen on oltava tiukassa kosketuksessa pistorasian kanssa, muuten tulipalot voivat aiheutua.
- Varmista, että virtalähteen maadoituselektrodi on varustettu luotettavalla maadoituksen linjalla.
- Sammuta vuotavan kaasun venttiili ja avaa sitten ovet ja ikkunat kaasun ja muiden syttyvien kaasujen vuotamisen yhteydessä. Älä irrota jääkaappia tai muita sähkölaitteita, koska kipinä voi aiheuttaa tulipalon.
- Älä käytä laitteen yläosassa sähkölaitteita, paitsi jos ne ovat valmistajan suosittelema.

## Varoitukset käytöstä

- Älä irrota tai uudelleenrakenna jääkaappia mielivaltaisesti, äläkä vahingoita jäähdytysnesteen piiriä; laitteen huolto on suoritettava asiantuntijan toimesta.
- Vaurioitunut virtajohto on vaihdettava valmistajan, sen huolto-osaston tai siihen liittyvien ammattilaisten toimesta vaaran välttämiseksi.
- Jääkaapin ovien sekä ovien ja jääkaapin rungon väliset aukot ovat pieniä, huomaa, ettei laita kättä näihin alueisiin estääksesi sormen puristamista. Ole varovainen, kun avaat jääkaapin oven, jotta tuotteet eivät putoa.
- Älä poimi elintarvikkeita tai säiliöitä märillä käsillä pakastimessa, kun jääkaappi on käynnissä, erityisesti metallisäiliöitä, jotta vältetään pakkaspurkaukset.
- Älä anna lapsen päästä tai kiivetä jääkaappiin; muutoin lapsen tukehtuminen tai putoaminen voi aiheuttaa vammoja.
- Älä aseta raskaita esineitä jääkaapin yläosaan ottaen huomioon, että linssit voivat pudota, kun ovi suljetaan tai avataan, ja vahingossa voi aiheutua vammoja.
- Poista kytkin virtalähteestä virrankatkoksen tai puhdistuksen sattuessa. Älä kytke pakastinta virtalähteeseen viiden minuutin kuluessa, jotta kompressori ei vahingoitu peräkkäisten käynnistysten vuoksi.

## Varoitus sijoittamisesta

- Älä laita syttyviä, räjähtäviä, haihtuvia ja erittäin syövyttäviä esineitä jääkaappiin tuotteen vahingoittumisen tai tulipalon estämiseksi.
- Älä aseta syttyviä esineitä jääkaapin lähelle tulipalojen välttämiseksi.
- Jääkaappi on tarkoitettu kotitalouskäyttöön, kuten elintarvikkeiden varastointiin; sitä ei saa käyttää muihin tarkoituksiin, kuten veren, lääkkeiden tai biologisten tuotteiden säilytykseen jne.
- Älä säilytä pulloissa tai suljetuissa säiliöissä olevaa olutta, juomaa tai muuta nestettä jääkaapin pakastimessa; muutoin pullojen ja suljettujen säiliöiden purkautuminen voi aiheuttaa vaurioita.

## Varoitukset energiasta

1. Jäähdytyslaitteet eivät välttämättä toimi johdonmukaisesti (sisällön jäädyttämisen mahdollisuus tai lämpötila, joka jäähdytetyssä elintarvikehuoneistossa muuttuu liian kuumaksi), jos ne istuvat pitkään lämpötilan alapuolella, joka on jäähdytyslämpötila-alueen kylmä.
2. Faktaa, että kuohuviiniä ei pidä säilyttää elintarvikkeiden pakastimissa tai kaapissa tai matalassa lämpötilassa ja että joitakin tuotteita, kuten vesijäätelöä, ei pitäisi kuluttaa liian kylmänä;
3. Elintarvikkeiden tuottajien suosittelemia säilytysaikoja ja erityisesti kaupallisesti pakastettujen pikaruokien varastointiaikoja tai kaappeja ei saa ylittää;
4. Varoitimet, jotka ovat välttämättömiä jäähdytetyt ruoan lämpötilan kohtuuttoman nousun estämiseksi jäähdytyslaitteen purkamisen aikana, kuten pakastettujen elintarvikkeiden käärittäminen useisiin sanomalehtikerroksiin.
5. Jäähdytetyt ruoan lämpötilan nousu manuaalisen pakastamisen, huollon tai puhdistuksen aikana voi lyhentää säilytysaikaa.
6. Tarve, että lukkoilla ja avaimilla varustettujen ovien tai kannen avaimet on pidettävä lasten ulottumattomissa eikä jäähdytyslaitteen läheisyydessä, jotta lapset eivät joudu lukkoon.

## Varoitus hävittämisestä



Jäähdytys- ja syklopentaanivaahdomateriaali, jota käytetään jääkaapissa, ovat syttyviä. Siksi, kun jääkaappi on kaapattu, se on pidettävä poissa mistä tahansa tulen lähteestä ja \ on palautettava sellaisen erityisen talteenottoyhtiön toimesta, jolla on vastaava pätevyys, joka ei liity polttamiseen, jotta vältetään ympäristövahinko tai muu vahinko.



Kun jääkaappi on irrotettu, irrota ovet, poista ovet ja hyllyt, aseta ovet tai hylly sopivaan paikkaan, jotta lapset eivät joudu loukkuun.



Tämän tuotteen oikea hävittäminen:

Tämä merkintä osoittaa, että tätä tuotetta ei saa hävittää muiden kotitalousjätteen kanssa kaikkialla EU:ssa. Jotta voitaisiin estää mahdolliset haitat ympäristölle tai ihmisten terveydelle hallitsemattomasta jätteiden hävittämisestä, kierrättää se vastuullisesti edistääkseen aineellisten resurssien kestävää uudelleenkäyttöä. Voit palauttaa käytetyn laitteen käyttämällä palautus- ja keruujärjestelmiä tai ottamalla yhteyttä jälleenmyyjään, jossa tuote on ostettu. He voivat käyttää tätä tuotetta ympäristöystävälliseen kierrätykseen.



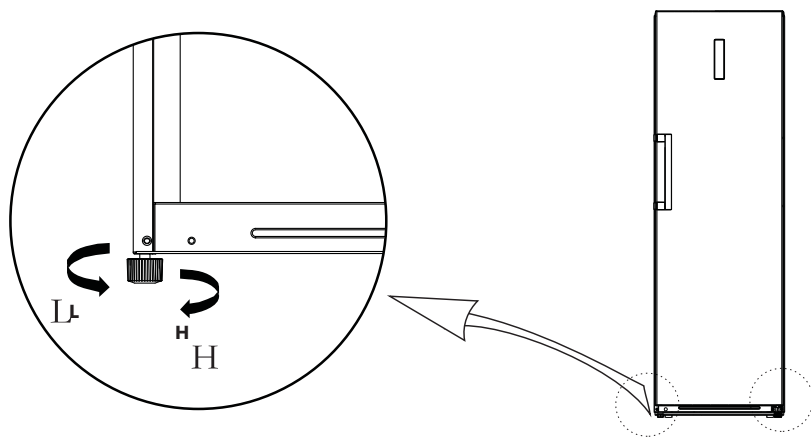
# JÄÄKAAPPIEN OIKEA KÄYTTÖ

## Sijainti

- Ennen käyttöä poista kaikki pakkausmateriaalit, mukaan lukien pohjapussit, vaahtomuovipussit ja nauha jääkaapin sisällä; irrota suojaava kalvo ovista ja jääkaapissa.
- Pidä kaukana lämmöstä ja vältä suoraa auringonvaloa. Älä aseta pakastinta kosteisiin tai vedellisiin paikkoihin ruosteen estämiseksi tai eristysvaikutuksen vähentämiseksi.
- Älä suihkuta tai pese jääkaappia; älä aseta jääkaappi kosteisiin paikkoihin, joita on helppo ruiskuttaa vedellä, jotta se ei vaikuta jääkaapin sähköeristysominaisuuksiin.
- Jääkaappi on sijoitettava hyvin tuuletettuun sisäiseen paikkaan; maaperän on oltava tasainen ja kiinteä (rotate left or right to adjust the wheel for leveling if unstable).
- Jääkaapin yläosan on oltava yli 30 cm, ja jääkaappi on sijoitettava seinää vasten yli 10 cm:n vapaalla etäisyydellä lämmön hajottamisen helpottamiseksi.

## Jalkojen tasoittaminen

1. Varotoimet ennen käyttöä: Ennen lisävarusteiden käyttöä on varmistettava, että jääkaappi on katkaistu virtalähteestä. Ennen jalkojen tasoittamista on ryhdyttävä varotoimiin henkilökohtaisten vammojen estämiseksi.
2. Schemaattinen kaavio tasoittavat jalat

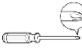





Yllä oleva kuva on vain viitteenä. Todellinen kokoonpano riippuu fyysisestä tuotteesta tai jakelijan ilmoituksesta.

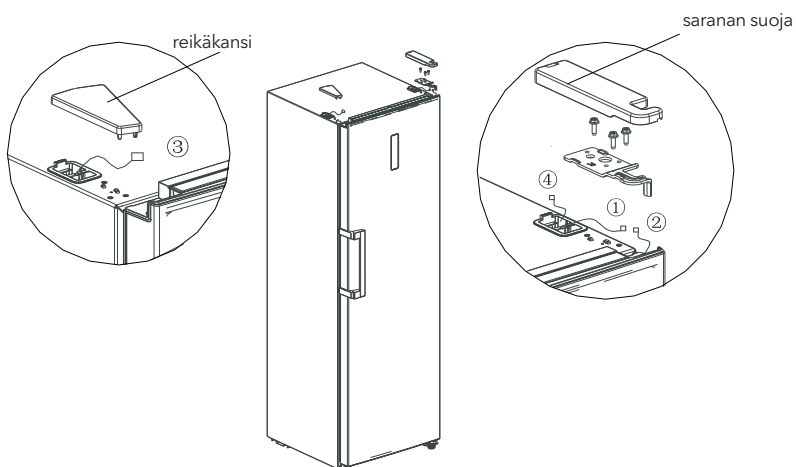
### 3. Menettelyjen mukauttaminen:

- a. Käänä jalat kellon ympäri nostamaan jääkaappia;
- b. Käänä jalat kelloa vasten jääkaapin laskemiseksi;
- c. Säädä oikea ja vasen jalka yllä olevien menettelyjen perusteella vaakasuuntaiselle tasolle.

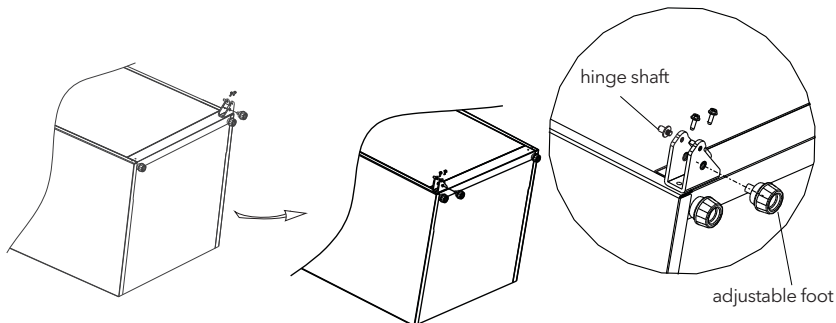
## 2.4 Vasemmanpuoleinen muutos

Luettelo käyttäjän tarjoamista työkaluista			
	Luettelo käyttäjän tarjoamista työkaluista		Putty veitsi thin-blade
	5/16" socket ja ratchet		Maskeerauslevy

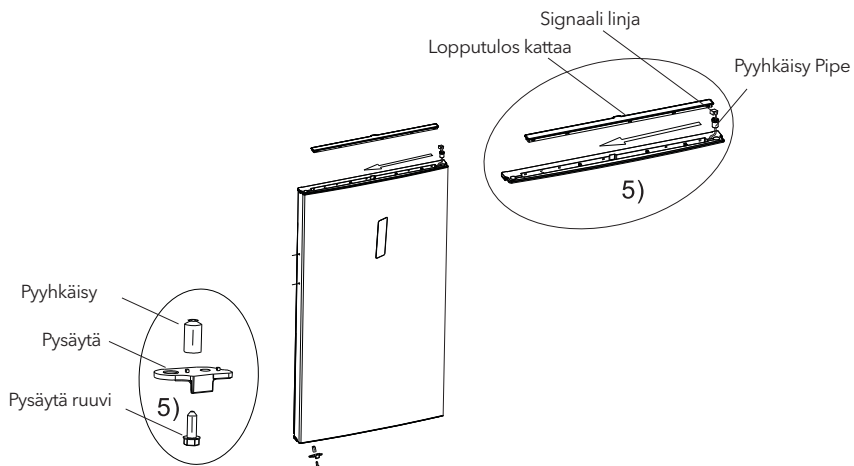
1. Sammuta jääkaappi ja poista kaikki esineet ovihyllyiltä.
2. Irrota ruuvien rei'ityssuojukset, ruuvit ja kahva, ja poista muoviset ruuvien rei'ityssuojukset toiselta puolelta. Katso luku 2.2.
3. Irrota yläsaranan suoja, ruuvit ja yläsarana, ja poista aukon suojus toiselta puolelta. Irrota johdon liitin jääkaapin yläosan oikealta puolelta (1, 2, johdon liitin).



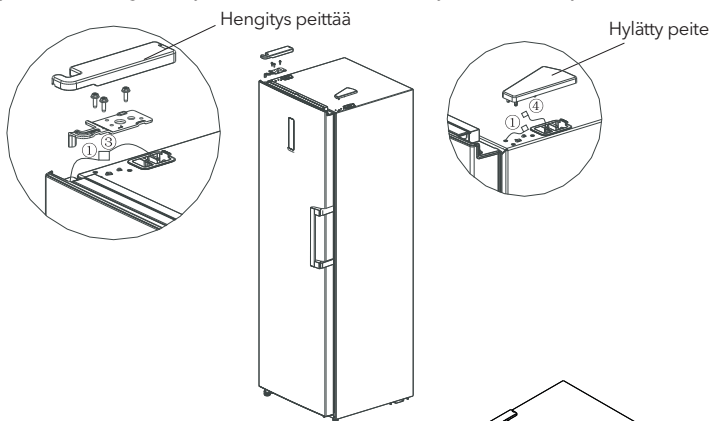
4. Dismantle the door and right bottom hinge assembly (hinge shaft and adjustable foot and hinge) and assemble the hinge shaft and adjustable foot on the other side of hinge, then assemble the whole hinge assembly on the other side of refrigerator.



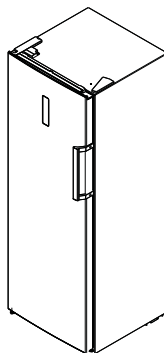
5. Poista oven päätelista, asenna yläsaranan holkki ja ovikytkentälinja toiselle puolelle ja asenna oven päätelista. Purkaa oven pysäytin, holkkiputki oikealta alaosasta ja aseta holkkiputki vasemman alaosan saranan reikään, asenna ovipysäytin vasemman alaosan oveen.



6. Ota vasen yläsarana ja vasen yläsaranan kansi tarvikkeiden pakkauksesta. Aseta ovi ala-saranalle ja kiinnitä vasen yläsarana. Yhdistä signaalilinjän liittimen 3. signaalilinjän liittimen 2. kanssa. Yhdistä signaalilinjän liittimen 1. signaalilinjän liittimen 4. kanssa. Asenna yläsaranan kansi ja reikäkansi.

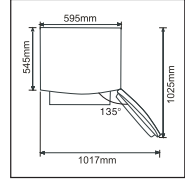


7. Käsittelyn käsittelyyn viitataan kappaleessa 2.2.



## Aloita käyttämällä

- Pidä jääkaappi tyhjänä puoli tuntia ennen kuin kytket sen virtalähteeseen.
- Ennen tuoreiden tai jäädytettyjen elintarvikkeiden asettamista jääkaappiin on oltava käynnissä 2-3 tuntia tai yli 4 tuntia kesällä, kun ympäristön lämpötila on korkea.
- Säästä riittävästi tilaa ovien ja laatikoiden mukavaan avaamiseen.
- Yllä oleva kuva on vain viitteenä. Todellinen kokoonpano riippuu fyysisestä tuotteesta tai jakelijan ilmoituksesta.

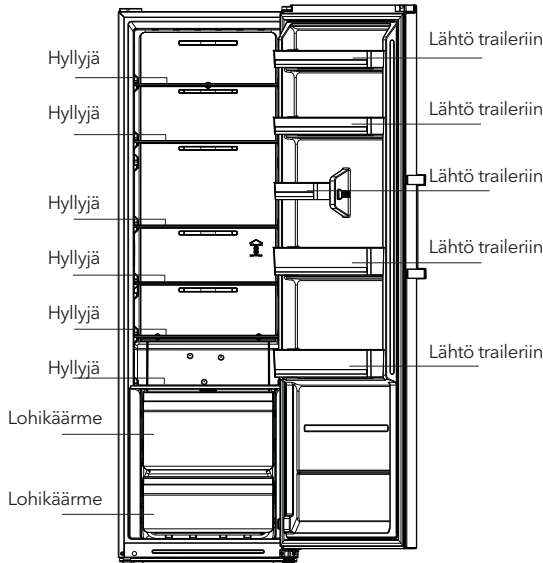


## Energiaa säästäviä vinkkejä

- Laite on sijoitettava huoneen viileimmälle alueelle, kaukana lämpöä tuottavista laitteista tai lämmitysputkista ja suorasta auringonvalosta.
- Anna kuumien elintarvikkeiden jäähtyä huoneenlämpötilaan ennen laitteeseen sijoittamista. Laitteen ylikuormitus pakottaa kompressorin toimimaan pidempään. Ruoka, joka jäähtyy liian hitaasti voi menettää laatua tai pilata.
- Muista kääriä elintarvikkeet kunnolla ja pyyhi säiliöt kuivaksi ennen niiden asettamista laitteeseen. Tämä vähentää jäätymistä laitteen sisällä.
- Laitteen säilytysastia ei saa kääriä alumiinikalvolla, vaha-paperilla tai paperipyyhkeillä. Liners häiritsevät kylmän ilmankiertoa, mikä tekee laitteesta vähemmän tehokkaan.
- Järjestää ja merkitä ruokaa vähentääkseen ovien avautumista ja laajennettuja hakuja. Poista niin monta kohdetta kuin tarvitset kerralla ja sulje ovi mahdollisimman pian.

## RAKENNE JA TOIMINNOT

### Keskeiset komponentit



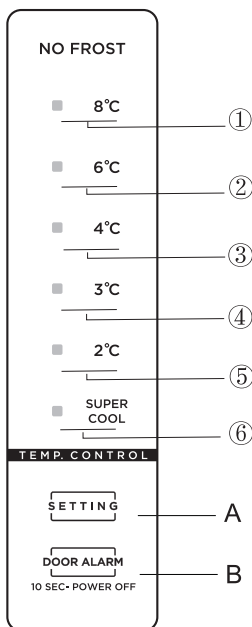
Yllä oleva kuva on vain viitteenä. Todellinen kokoonpano riippuu fyysisestä tuotteesta tai jakelijan ilmoituksesta.

## Jäähdytystila

- Jäähdytystila soveltuu monenlaisten hedelmien, vihannesten, juomien ja muiden lyhytaikaiseen säilytykseen tarkoitettujen ruokien säilyttämiseen.
- Keitetyt ruoat eivät saa olla jäähdytystilassa ennen kuin ne ovat jäähtyneet huoneenlämpöiseksi.
- Ruokien suositellaan olevan suljettuina ennen kuin ne laitetaan jääkaappiin.
- Lasihyllyjä voidaan säätää ylös tai alas sopivan säilytystilan ja helpon käytön takaamiseksi.

**Huomio:** Liian paljon ruoan säilyttämistä käytön aikana heti ensimmäisen kytkennän jälkeen voi heikentää jääkaapin pakastustehoja. Säilytetyn ruoan ei tule tukkia ilman ulostuloa, muutoin myös pakastusteho voi heikentyä.

## Functions



### 1. Avain

- A. Lämpötilan säätöpainike
- B. Valmiustila-painike

### 2. Lämpötila-ikoni

1. Asetus 1: asetettu lämpötila on 8°C
2. Asetus 2: asetettu lämpötila on 6°C
3. Asetus 3: asetettu lämpötila on 4°C
4. Asetus 4: asetettu lämpötila on 3°C
5. Asetus 5: asetettu lämpötila on 2°C
6. Asetus 6: Super cool (erittäin kylmä)

Yllä oleva kuva on vain viitteenä. Todellinen kokoonpano riippuu fyysisestä tuotteesta tai jakelijan ilmoituksesta.

### 3. Kun jääkaappi on kytketty päälle:

Kaikki lämpötila-ikonit syttyvät 3 sekunnin kuluessa virran kytkemisestä päälle. Ensimmäisen käynnistyksen yhteydessä oletuslämpötila on 4°C.

Sen jälkeen joka kerta, kun käynnistät jääkaapin, se toimii viimeisen sammutuksen yhteydessä asetetun lämpötilan mukaisesti..

## Näyttö normaaliin juoksuun

Vian ilmetessä vastaavat ikonit vilkkuvat yhdistelmänä: virhekoodit ja tyypit näkyvät seuraavasti:

### Refrigerator

Väärä koodi	Virheellinen kuvaus	Näyttelyssä
<b>E1</b>	Jääkaapin tilan lämpötila-anturin vika	Ikoni <sup>"SUPER"</sup> <sub>"COOL"</sub> ja ikoni "2" loistavat samanaikaisesti
<b>E2</b>	Jääkaapin tilan sulatusanturin vika Tiedonsiirron virhe	Ikoni <sup>"SUPER"</sup> <sub>"COOL"</sub> ja ikoni "3" loistavat samanaikaisesti
<b>E6</b>	Ympäristön lämpötila-anturin virhe	Ikoni "2" ja ikoni "4" loistavat samanaikaisesti
<b>E7</b>	Jääkaapin tilan lämpötila-anturin vika	Ikoni <sup>"SUPER"</sup> <sub>"COOL"</sub> ja ikoni "4" loistavat samanaikaisesti

Jos vikaa ei ole, näytöllä näkyy jääkaapin tilan asetettu lämpötila.

## Valmiustila-toiminto

Paina valmiustila-painiketta pitkään  10 sekunnin ajan aktivoitaksesi valmiustila-toiminnon.

## Lämpötilan säätö

Lämpötilan asetus muuttuu, kun painat nappia . Tämän jälkeen jääkaappi käynnistyy uuden lämpötila-asetuksen mukaisesti 15 sekunnin kuluttua.



# YLLÄPITO JA HOITO LAITTEELLE

## Yleinen puhdistus

- Pölyt jääkaapin takana ja maassa tulee puhdistaa säännöllisesti parantaaksesi jäähdystehokkuutta ja energiansäästöä.
- Tarkista ovitiviste säännöllisesti varmistaaksesi, ettei siellä ole roskia. Puhdista ovitiviste pehmeällä liinalla, joka on kostutettu miedolla saippuavedellä tai laimennetulla pesuaineella.
- Jääkaapin sisätila tulisi puhdistaa säännöllisesti hajujen välttämiseksi.
- Sammuta virta ennen jääkaapin sisätilojen puhdistusta ja poista kaikki ruoat, juomat, hyllyt, laatikot jne.
- Käytä pehmeää liinaa tai sientä puhdistessaasi jääkaapin sisätilat kahdella ruokalusikallisella ruokasoodaa ja litralla lämmintä vettä. Huuhtelee vedellä ja pyyhi kuivaksi. Puhdistuksen jälkeen avaa ovi ja anna sen kuivua luonnollisesti ennen virran kytkemistä päälle.
- Vaikeasti puhdistettavat alueet jääkaapissa (kuten kapeat saumat, rakojen tai nurkkien kohdat) suositellaan puhdistettavaksi säännöllisesti pehmeällä liinalla, pehmeällä harjalla jne. ja tarvittaessa käytä apuna joitakin apuvälineitä (kuten ohuita tikkuja) varmistaaksesi, ettei näihin alueisiin kerry roskia tai bakteereja.
- Älä käytä saippuaa, pesuainetta, hankausjauhetta, suihkepuhdistusaineita jne., koska ne voivat aiheuttaa hajuja jääkaapin sisätiloissa tai saastuttaa ruokaa.
- Puhdista pullohyllyt, hyllyt ja laatikot pehmeällä liinalla, joka on kostutettu miedolla saippuavedellä tai laimennetulla pesuaineella. Kuivaa pehmeällä liinalla tai anna kuivua luonnollisesti.
- Pyyhi jääkaapin ulkopinta pehmeällä liinalla, joka on kostutettu saippuavedellä, pesuaineella jne., ja sitten pyyhi kuivaksi.

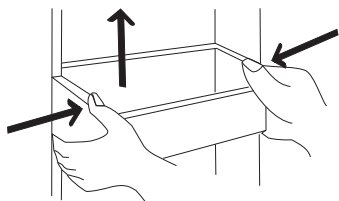
- Älä käytä kovia harjoja, puhdistusliiinoja, teräsvillaa, teräsvillaa, hankausaineita (kuten hammastahnoja), orgaanisia liuottimia (kuten alkoholia, asetonia, banaaniöljyä jne.), kiehuvaa vettä, happamia tai emäksisiä aineita, jotka voivat vahingoittaa jääkaapin pintaa ja sisäosia. Kiehuvalle vedelle ja orgaanisilla liuottimilla, kuten bentsiinillä, voi vaurioittaa tai vääristää muoviosia.
- Älä huuhtelee suoraan vedellä tai muilla nesteillä puhdistuksen aikana välttääksesi oikosulun tai vaikuttamasta sähköeristykseen upotuksen jälkeen.



Poista jääkaappi jäädyttämistä ja puhdistamista varten.

## Puhdistus ovi laatikko, hedelmä- ja vihanneslaatikko ja kaappi

- Alla olevassa kuvassa olevan nuolen suunnan mukaan käytä molempia käsiä puristamaan lautasen ja työntämällä sitä ylöspäin, sitten voit ottaa sen ulos.
- Kun laatikko on pesty pois, voit säätää sen asennuksen korkeutta vaatimuksesi mukaan. Pehmeitä pyyhkeitä tai sieniä, jotka on upotettu veteen ja ei-korroosiivisia neutraaleja pesuaineita suositellaan puhdistukseen. Jääkaappi on lopulta puhdistettava puhtaalla vedellä ja kuivalla kankaalla. Avaa ovi luonnolliseen kuivaukseen ennen kuin virta kytketään päälle. Älä käytä kovia harjoja, puhtaita teräspalloja, lankaharjat, hankausaineita, kuten hammastahnoja, orgaanisia liuottimia (kuten alkoholi, asetonit, banaaniöljy jne.), kiehuvaa vettä, happamia tai emäksisiä esineitä puhdistaa jääkaappi ottaen huomioon, että tämä voi vahingoittaa jääkaapin pintaa ja sisätilaa.



Yllä oleva kuva on vain viitteellinen.  
Todellinen kokoonpano riippuu fyysisestä tuotteesta tai jakelijan lausunnosta

## Lasihyllyn puhdistus

- Koska jääkaapin sisimmässä osassa, jossa hyllyt ovat yhteydessä, on tukipysäkki, nostat hyllyjä ylöspäin, sitten voit ottaa sen ulos.
- Säädä tai puhdistaa hyllyt vaatimuksesi mukaan.
- Pehmeitä pyyhkeitä tai sieniä, jotka on upotettu veteen ja ei-korroosiivisia neutraaleja pesuaineita suositellaan puhdistukseen. Jääkaappi on lopulta puhdistettava puhtaalla vedellä ja kuivalla kankaalla. Avaa ovi luonnolliseen kuivaukseen ennen kuin virta kytketään päälle.
- Älä käytä kovia harjoja, puhtaita teräspalloja, lankaharjat, hankausaineita, kuten hammastahnoja, orgaanisia liuottimia (kuten alkoholi, asetonit, banaaniöljy jne.), kiehuvaa vettä, happamia tai emäksisiä esineitä puhdistaa jääkaappi ottaen huomioon, että tämä voi vahingoittaa jääkaapin pintaa ja sisätilaa.

## Sulatus

- Jääkaappi on valmistettu ilmajäähdytysperiaatteella ja siinä on siten automaattinen sulatustoiminto. Vuodenajan tai lämpötilan vaihtelusta johtuva huurre voidaan poistaa myös manuaalisesti katkaisemalla laite sähköverkosta tai pyyhkimällä kuivalla pyyhkeellä.

## Ei toimi

- Sähkökatkos: Sähkökatkon sattuessa, vaikka olisi kesällä, elintarvikkeet voidaan säilyttää laitteen sisällä useita tunteja; sähkökatkon aikana oven avautumisaikoja tulee lyhentää, eikä laitteeseen saa laittaa enää tuoretta ruokaa.
- Pitkäaikainen käyttämätön: Laite on irrotettava pistorasiasta ja puhdistettava. sitten ovet jätetään auki hajun estämiseksi.
- Siirtäminen: Ennen kuin siirrät jääkaapin, ota kaikki esineet nurinpäin, kiinnitä lasiseinäkkeet, vihannespidike, pakastuskammion laatikot jne. teipillä ja kiristä tasoitusjalat; sulje ovet ja kiinnitä ne teipillä. Siirron aikana laitetta ei saa asettaa ylösalaisin tai vaakasuoraan, eikä sitä saa täristää; kaltevuus liikkeen aikana saa olla enintään 45°.



Laitteen tulee toimia jatkuvasti, kun se käynnistetään. Yleensä laitteen toimintaa ei saa keskeyttää; muuten käyttöikä voi lyhentyä.

## VIANMÄÄRITYSOPAS

Voit yrittää ratkaista seuraavat yksinkertaiset ongelmat itse.

Jos niitä ei voida ratkaista, ota yhteyttä huoltopalveluun.

Epäonnistunut toiminta	Tarkista, onko laite kytketty verkkovirtaan tai onko pistoke kunnolla kiinni Tarkista, onko jännite liian alhainen Tarkista, onko sähkökatkos tai osittaispiirejä lauennut
Haju	Hajuisten elintarvikkeiden tulee olla tiiviisti käärittyinä Tarkista, onko niissä pilaantunutta ruokaa Puhdista jääkaapin sisäpuoli
Pitkäaikainen kompressorin käyttö	Pitkäaikainen jääkaapin käyttö on normaalia kesällä, kun ympäristön lämpötila on korkea. Ei ole suositeltavaa laittaa liikaa ruokaa laitteeseen samanaikaisesti. Ruoka tulee jäädyttää ennen sen laittamista laitteeseen. Ovia avataan liian usein
Valo ei syty	Tarkista, onko jääkaappi liitetty sähköverkkoon ja onko valaistusvastus vaurioitunut. Anna asiantuntijan vaihtaa valo
Ovet eivät sulkeudu kunnolla	Ovi on juuttunut elintarvikepakkauksiin Jääkaappi on kallistunut
Ääniä	Tarkista, onko lattia tasainen ja onko jääkaappi asetettu tukevasti paikoilleen. Tarkista myös, ovatko tarvikkeet oikeilla paikoillaan.
Ovi ei saa olla tiukka	Poista vierasesineet oven tiivisteen päältä. Lämmitä oven tiivistettä ja anna sen sitten jäähtyä palauttaaksesi sen alkuperäiseen kuntoon. (tai käytä sähköistä kuivaajaa tai lämmitä sitä kuumalla pyyhkeellä)



Water pan overflows	There is too much food in the chamber or food stored contains too much water, resulting in heavy defrosting The doors are not closed properly, resulting in frosting due to entry of air and increased water due to defrosting
Hot housing	Heat dissipation of the built-in condenser via the housing, which is normal. When housing becomes hot due to high ambient temperature and storage of too much food, it is recommended to provide sound ventilation to facilitate heat dissipation.
Surface condensation	Condensation on the exterior surface and door seals of the refrigerator is normal when the ambient humidity is too high. Just wipe the condensate with a clean towel.
Abnormal noise	Buzz: The compressor may produce buzzes during operation, and the buzze: are loud particularly upon start or stop. This is normal. Creak: Refrigerant flowing inside of the appliance may produce creak, which is normal.

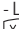

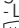


# AVERTISSEMENTS DE SÉCURITÉ

## AVERTISSEMENT:



**Avvertissement:** risque d'incendie / matériaux inflammables

## RECOMMANDATIONS:

- Cet appareil est destiné à être utilisé dans des applications domestiques et similaires telles que les cuisines du personnel dans les magasins, les bureaux et autres environnements de travail; les maisons de ferme et par des clients dans les hôtels, motels et autres environnements de type résidentiel; les environnements de type bed and breakfast; la restauration et des applications similaires non destinées à la vente au détail.
- Si le cordon d'alimentation est endommagé, il doit être remplacé par le fabricant, son agent de service ou des personnes tout aussi qualifiées afin d'éviter un danger.
- Ne pas stocker de substances explosives telles que des aérosols avec un propulseur inflammable dans cet appareil.
- L'appareil doit être débranché après utilisation et avant d'effectuer une maintenance par l'utilisateur sur l'appareil.
- **AVERTISSEMENT:** Maintenez les ouvertures de ventilation, dans l'enceinte de l'appareil ou dans la structure encastrée, dégagées de toute obstruction.
- **AVERTISSEMENT:** N'utilisez pas de dispositifs mécaniques ou d'autres moyens pour accélérer le processus de dégivrage, sauf ceux recommandés par le fabricant.
- **AVERTISSEMENT:** Ne pas endommager le circuit de réfrigérant.
- **AVERTISSEMENT:** N'utilisez pas d'appareils électriques à l'intérieur des compartiments de stockage des aliments de l'appareil, sauf s'ils sont du type recommandé par le fabricant.
- **AVERTISSEMENT:** Veuillez abandonner l'appareil conformément aux réglementations locales car il utilise un gaz de soufflage inflammable et un réfrigérant.
- **AVERTISSEMENT:** Lors de la position de l'appareil, assurez-vous que le cordon d'alimentation n'est pas piégé ou endommagé.
- **AVERTISSEMENT:** Ne pas placer plusieurs prises de courant portables ou blocs d'alimentation portables à l'arrière de l'appareil.
- N'utilisez pas de rallonges ou d'adaptateurs sans mise à la terre (à deux broches)
- **DANGER:** Risque d'emprisonnement d'enfant. Avant de jeter l'appareil:
  - Retirez les portes.
  - Laissez les étagères en place afin que les enfants ne puissent pas facilement y grimper à l'intérieur.
- L'appareil doit être déconnecté de la source d'alimentation électrique avant de tenter l'installation d'un accessoire.
- Le réfrigérant et le matériau de mousse au cyclopentane utilisés pour le réfrigérateur sont inflammables. Par conséquent, lors de la mise au rebut du réfrigérateur, il doit être éloigné de toute source de feu et récupéré par une entreprise de récupération spéciale possédant les qualifications correspondantes, plutôt que d'être éliminé par combustion, afin de prévenir tout dommage à l'environnement ou tout autre préjudice.
- Pour la norme EN (norme européenne): Cet appareil peut être utilisé par des enfants de 8 ans et plus, ainsi que par des personnes ayant des capacités physiques, sensorielles ou mentales réduites, ou manquant d'expérience et de connaissance, à condition qu'ils aient bénéficié d'une supervision ou d'instructions concernant l'utilisation sûre de l'appareil et qu'ils comprennent les dangers encourus. Les enfants ne doivent pas jouer avec l'appareil. Le nettoyage et l'entretien par l'utilisateur ne doivent pas être effectués par des enfants sans supervision. Les enfants de 3 à 8 ans sont autorisés à charger et décharger les appareils de réfrigération.
- Pour la norme IEC (Commission électrotechnique internationale): Cet appareil n'est pas destiné à être utilisé par des personnes (y compris des enfants) ayant des capacités physiques, sensorielles ou mentales réduites, ou un manque d'expérience et de connaissance, sauf si elles ont bénéficié d'une supervision ou d'instructions concernant l'utilisation de l'appareil par une personne responsable de leur sécurité.
- Les enfants doivent être surveillés pour s'assurer qu'ils ne jouent pas avec l'appareil.
- Les instructions doivent inclure le contenu suivant: Pour éviter la contamination des aliments, veuillez respecter les instructions suivantes:
  - Ouvrir la porte pendant de longues périodes peut entraîner une augmentation significative de la température dans les compartiments de l'appareil.
  - Nettoyez régulièrement les surfaces pouvant entrer en contact avec les aliments et les systèmes de drainage accessibles.
  - Nettoyez les réservoirs d'eau s'ils n'ont pas été utilisés pendant 48 heures ; rincez le système d'eau connecté à une alimentation en eau s'il n'a pas été utilisé pendant 5 jours. (note 1)
  - Conservez la viande crue et le poisson dans des récipients appropriés dans le réfrigérateur, de manière à ce qu'ils ne soient pas en contact avec d'autres aliments ou ne gouttent pas sur eux.
- - Les compartiments de congélation deux étoiles  et trois étoiles  sont adaptés pour stocker des aliments préalablement congelés, pour conserver ou fabriquer de la crème glacée et pour faire des glaçons. (note 2)
  - Les compartiments un étoile  , deux étoiles  et trois étoiles  ne conviennent pas à la congélation d'aliments frais. (note 3)
  - Si l'appareil réfrigérant est laissé vide pendant de longues périodes, éteignez-le, dégivrez-le, nettoyez-le, séchez-le et laissez la porte ouverte pour éviter le développement de moisissures à l'intérieur de l'appareil.

Note 1, 2, 3 : Veuillez confirmer si cela est applicable en fonction du type de compartiment de votre produit.

## La signification des symboles d'avertissement de sécurité



Voici un symbole d'interdiction. Tout non-respect des instructions marquées de ce symbole peut entraîner des dommages au produit ou mettre en danger la sécurité personnelle de l'utilisateur.



Voici un symbole d'avertissement. Il est nécessaire de respecter strictement les instructions marquées de ce symbole, sinon des dommages au produit ou des blessures personnelles peuvent être causés.



Ceci est un symbole de mise en garde. Les instructions marquées de ce symbole nécessitent une attention particulière. Un manque de prudence peut entraîner des blessures légères ou modérées, ou endommager le produit.

Ce manuel contient de nombreuses informations de sécurité importantes qui doivent être observées par les utilisateurs.

### Avertissements liés à l'électricité

- Ne tirez pas sur le cordon d'alimentation lorsque vous débranchez le réfrigérateur. Veuillez saisir fermement la fiche et la retirer directement de la prise.
- Pour garantir une utilisation sûre, ne endommagez pas le cordon d'alimentation et n'utilisez pas le cordon d'alimentation s'il est endommagé ou usé.
- Veuillez utiliser une prise électrique dédiée, et la prise électrique ne doit pas être partagée avec d'autres appareils électriques. La fiche d'alimentation doit être fermement en contact avec la prise, sinon des incendies pourraient être provoqués.
- Assurez-vous que l'électrode de mise à la terre de la prise de courant est équipée d'une ligne de mise à la terre fiable.
- Éteignez la vanne du gaz qui fuit, puis ouvrez les portes et les fenêtres en cas de fuite de gaz et d'autres gaz inflammables. Ne débranchez pas le réfrigérateur et les autres appareils électriques, car une étincelle pourrait provoquer un incendie.
- N'utilisez pas d'appareils électriques sur le dessus de l'appareil, sauf s'ils sont du type recommandé par le fabricant.

### Avertissements d'utilisation

- Ne démontez ni ne reconstruisez arbitrairement le réfrigérateur, ni n'endommagez le circuit frigorifique; l'entretien de l'appareil doit être effectué par un spécialiste.
- Un cordon d'alimentation endommagé doit être remplacé par le fabricant, son service d'entretien ou des professionnels apparentés afin d'éviter tout danger.
- Les espaces entre les portes du réfrigérateur et entre les portes et le corps du réfrigérateur sont petits, veuillez noter de ne pas mettre votre main dans ces zones pour éviter de pincer les doigts. Soyez prudent lorsque vous ouvrez la porte du réfrigérateur pour éviter la chute d'objets.
- Ne prenez pas d'aliments ou de récipients avec des mains mouillées dans la chambre de congélation lorsque le réfrigérateur fonctionne, surtout des récipients métalliques, afin d'éviter le gel.
- Ne laissez aucun enfant entrer ou grimper dans le réfrigérateur ; sinon, une suffocation ou une chute de l'enfant peut se produire.
- Ne placez pas d'objets lourds sur le dessus du réfrigérateur, car des objets pourraient tomber lors de la fermeture ou de l'ouverture de la porte, et des blessures accidentelles pourraient être causées.
- Veuillez débrancher la prise en cas de panne de courant ou de nettoyage. Ne reconnectez pas le congélateur à l'alimentation électrique dans les cinq minutes pour éviter d'endommager le compresseur en raison de démarrages successifs.

### Avertissements pour le placement

- Ne pas mettre d'articles inflammables, explosifs, volatils et fortement corrosifs dans le réfrigérateur pour éviter d'endommager le produit ou des accidents d'incendie.
- Ne pas placer d'objets inflammables à proximité du réfrigérateur pour éviter les incendies.
- Le réfrigérateur est destiné à un usage domestique, tel que le stockage d'aliments ; il ne doit pas être utilisé à d'autres fins, telles que le stockage de sang, de médicaments ou de produits biologiques, etc.
- Ne pas stocker de la bière, des boissons ou d'autres liquides contenus dans des bouteilles ou des récipients fermés dans la chambre de congélation du réfrigérateur ; sinon, les bouteilles ou les récipients fermés peuvent se fissurer en raison du gel, provoquant ainsi des dommages.

## Avertissements concernant l'énergie

1. Les appareils de réfrigération pourraient ne pas fonctionner de manière constante (possibilité de décongélation du contenu ou d'élévation de la température dans le compartiment de congélation) lorsqu'ils sont installés pendant une période prolongée en dessous de la plage de températures pour lesquelles l'appareil de réfrigération est conçu.
2. Le fait que les boissons gazeuses ne doivent pas être stockées dans les compartiments ou armoires de congélation alimentaire ni dans les compartiments ou armoires à basse température, et que certains produits tels que les glaces ne doivent pas être consommés trop froids.
3. La nécessité de ne pas dépasser les temps de stockage recommandés par les fabricants d'aliments pour tout type d'aliment, en particulier pour les aliments rapidement congelés commercialement dans les compartiments ou armoires de congélation alimentaire et de stockage de produits surgelés.
4. Les précautions nécessaires pour éviter une augmentation excessive de la température des aliments surgelés pendant le dégivrage de l'appareil de réfrigération, telles que l'emballage des aliments surgelés dans plusieurs couches de journaux.
5. Le fait qu'une augmentation de la température des aliments surgelés pendant le dégivrage manuel, l'entretien ou le nettoyage pourrait réduire la durée de conservation.
6. La nécessité que, pour les portes ou couvercles équipés de serrures et de clés, les clés soient gardées hors de la portée des enfants et non à proximité de l'appareil de réfrigération, afin d'empêcher les enfants d'être enfermés à l'intérieur.

## Avertissements pour l'élimination



Le réfrigérant et le matériau moussant au cyclopentane utilisés pour le réfrigérateur sont inflammables. Par conséquent, lorsque le réfrigérateur est mis au rebut, il doit être éloigné de toute source de feu et être récupéré par une entreprise spécialisée possédant les qualifications correspondantes, plutôt que d'être éliminé par combustion, afin de prévenir tout dommage à l'environnement ou tout autre préjudice.



Lorsque le réfrigérateur est mis au rebut, démontez les portes et retirez le joint de porte ainsi que les étagères ; placez les portes et les étagères à un endroit approprié afin d'éviter tout risque d'enfermement d'enfant.



Élimination correcte de ce produit:

Cette marque indique que ce produit ne doit pas être éliminé avec les autres déchets ménagers dans l'ensemble de l'Union européenne. Afin de prévenir tout dommage potentiel à l'environnement ou à la santé humaine résultant d'une élimination incontrôlée des déchets, veuillez le recycler de manière responsable pour promouvoir la réutilisation durable des ressources matérielles. Pour retourner votre appareil usagé, veuillez utiliser les systèmes de retour et de collecte ou contacter le détaillant auprès duquel le produit a été acheté. Ils peuvent prendre en charge le recyclage environnemental de ce produit.

# UTILISATION APPROPRIÉE DES RÉFRIGÉRATEURS

## Emplacement

- Avant utilisation, retirez tous les matériaux d'emballage, y compris les coussins inférieurs, les tampons en mousse et les rubans à l'intérieur du réfrigérateur ; décollez le film protecteur sur les portes et le corps du réfrigérateur.
- Éloignez-vous de la chaleur et évitez la lumière directe du soleil. Ne placez pas le congélateur dans des endroits humides ou mouillés pour éviter la rouille ou la réduction de l'effet isolant.
- Ne pulvérisez ni ne lavez le réfrigérateur ; ne placez pas le réfrigérateur dans des endroits humides susceptibles d'être éclaboussés d'eau pour ne pas affecter les propriétés d'isolation électrique du réfrigérateur.
- Le réfrigérateur est placé dans un endroit bien ventilé à l'intérieur ; le sol doit être plat et solide (tournez à gauche ou à droite pour ajuster la roue pour le nivellement s'il est instable).
- L'espace supérieur du réfrigérateur doit être supérieur à 30 cm, et le réfrigérateur doit être placé contre un mur avec une distance libre de plus de 10 cm pour faciliter la dissipation de la chaleur.

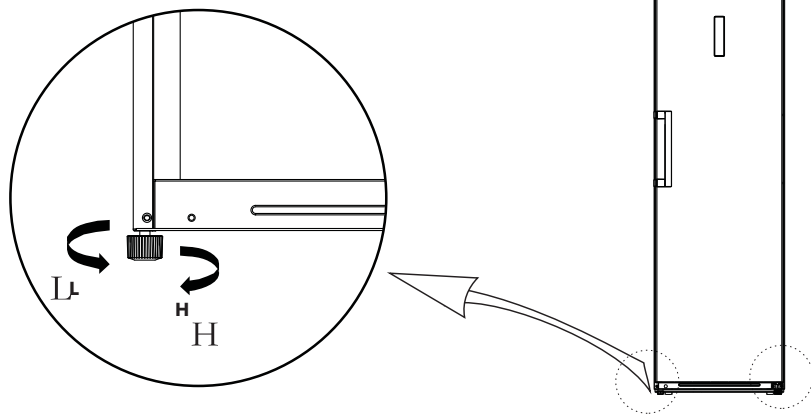
## Pieds de nivellement

### 1. Précautions avant l'opération:

Avant d'utiliser les accessoires, assurez-vous que le réfrigérateur est débranché.

Avant d'ajuster les pieds de nivellement, prenez des précautions pour éviter tout risque de blessure personnelle.

### 2. Schéma de principe des pieds de nivellement

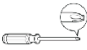

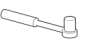



L'image ci-dessus est uniquement à titre de référence. La configuration réelle dépendra du produit physique ou de la déclaration du distributeur.

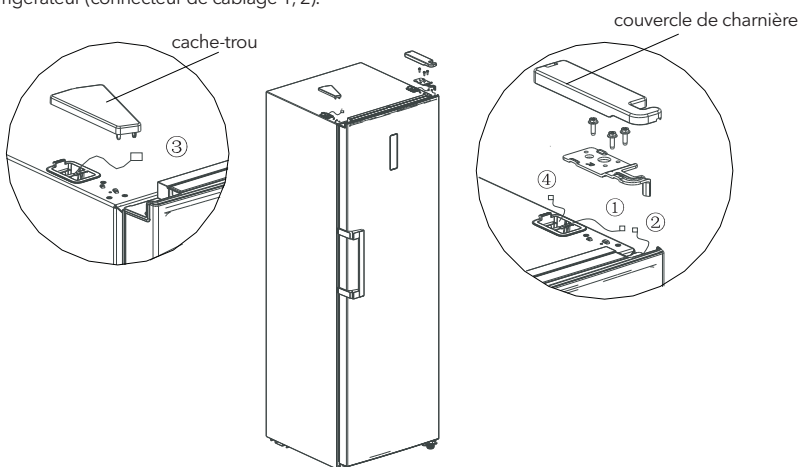
### 3. Procédures d'ajustement:

- Tournez les pieds dans le sens horaire pour soulever le réfrigérateur;
- Tournez les pieds dans le sens antihoraire pour abaisser le réfrigérateur;
- Ajustez les pieds droit et gauche selon les procédures ci-dessus pour obtenir un niveau horizontal.

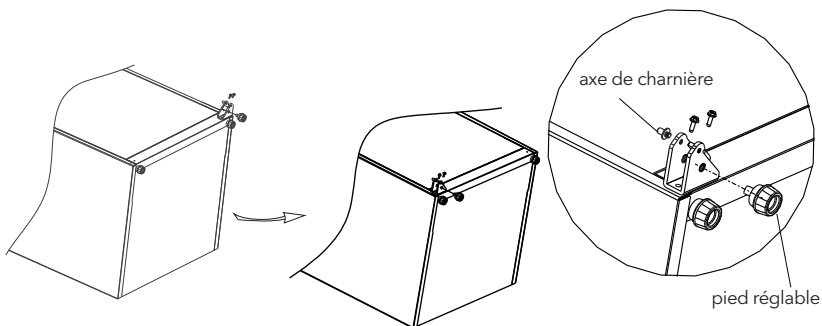
## 2.4 Charnière de porte (Optionnelle) Changement à gauche

Liste des outils à fournir par l'utilisateur			
	Tournevis cruciforme		Couteau à mastic et tournevis à lame fine
	Douille de 5/16 pouce et cliquet		Ruban adhésif de masquage

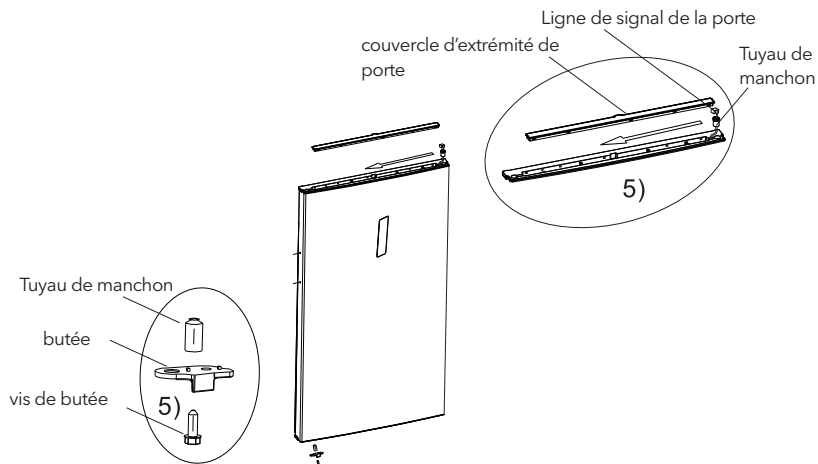
1. Mettez le réfrigérateur hors tension et retirez tous les objets des plateaux de la porte.
2. Démontez les capuchons des trous de vis, les vis et la poignée, et retirez les capuchons en plastique des trous de vis de l'autre côté. Veuillez vous référer au chapitre 2.2.
3. Démontez le couvercle de la charnière supérieure, les vis et la charnière supérieure, et retirez le cache-trou de l'autre côté. Débranchez le connecteur de câblage sur le côté droit du haut du réfrigérateur (connecteur de câblage 1, 2).



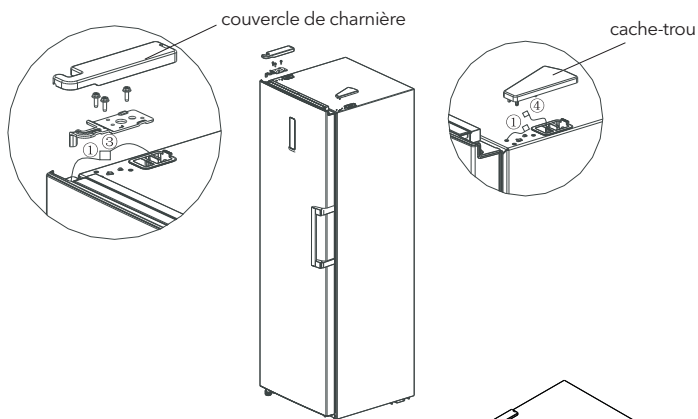
4. Démontez la porte et l'ensemble charnière inférieure droite (axe de charnière et pied réglable et charnière), démontez l'ensemble charnière inférieure droite, et assemblez l'axe de charnière et le pied réglable de l'autre côté de la charnière, puis assemblez l'ensemble de la charnière complète de l'autre côté du réfrigérateur.



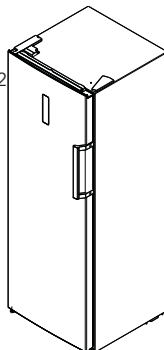
5. Retirez le cache d'extrémité de la porte, installez le manchon supérieur de charnière et la ligne de signal de porte de porte de l'autre côté, puis réinstallez le cache d'extrémité de la porte. Démontez la butée de porte et le manchon du bas droit de la porte, insérez le manchon dans le trou de charnière du bas gauche de la porte, assemblez la butée de porte sur le bas gauche de la porte.



6. Take out the left top hinge, left top hinge cover from accessories package, place the door on bottom hinge, and mount left top hinge. Connect signal line terminal 3. with signal line terminal 2. connect signal line terminal 1. with signal line terminal 4. mount top hinge cover and hole cover.

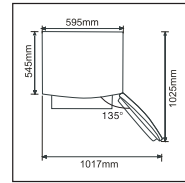


7. Pour l'assemblage de la poignée, veuillez vous référer au chapitre 2.2



## Commencer à utiliser

- Avant la première mise en marche, laissez le réfrigérateur immobile pendant une demi-heure avant de le brancher sur l'alimentation électrique.
- Avant de mettre des aliments frais ou congelés, le réfrigérateur doit avoir fonctionné pendant 2 à 3 heures, ou pendant plus de 4 heures en été lorsque la température ambiante est élevée.
- Prévoyez suffisamment d'espace pour une ouverture pratique des portes et des tiroirs.
- L'image ci-dessus est uniquement à titre de référence. La configuration réelle dépendra du produit physique ou de la déclaration du distributeur.

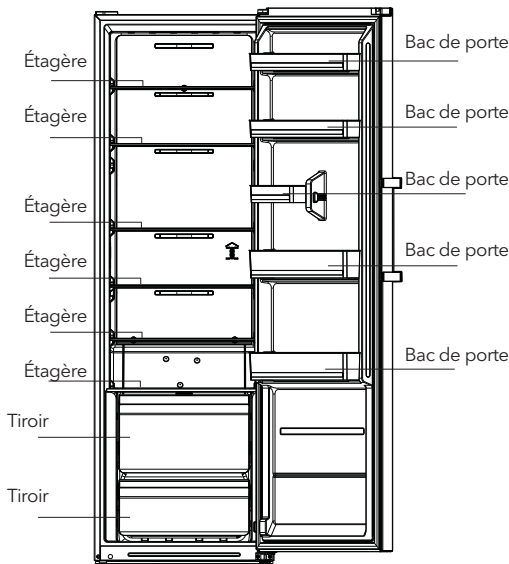


## Conseils pour économiser de l'énergie

- L'appareil doit être situé dans la zone la plus fraîche de la pièce, à l'écart des appareils produisant de la chaleur, des conduits de chauffage et à l'abri de la lumière directe du soleil.
- Laissez refroidir les aliments chauds à température ambiante avant de les placer dans l'appareil. Surcharger l'appareil oblige le compresseur à fonctionner plus longtemps. Les aliments qui gèlent trop lentement peuvent perdre en qualité ou se gâter.
- Assurez-vous d'emballer correctement les aliments et essuyez les récipients avant de les placer dans l'appareil. Cela réduit l'accumulation de givre à l'intérieur de l'appareil.
- Le bac de rangement de l'appareil ne doit pas être doublé de papier d'aluminium, de papier ciré ou de papier essuie-tout. Les doublures entravent la circulation de l'air froid, rendant l'appareil moins efficace.
- Organisez et étiquetez les aliments pour réduire les ouvertures de porte et les recherches prolongées. Retirez autant d'articles que nécessaire en une seule fois et refermez la porte dès que possible.

## STRUCTURE ET FONCTIONS

### Composants clés



L'image ci-dessus est uniquement à titre de référence. La configuration réelle dépendra du produit physique ou de la déclaration du distributeur.

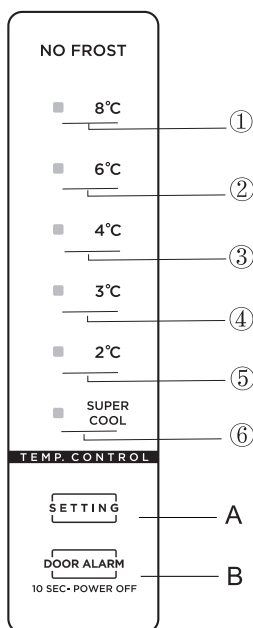


## Chambre de réfrigération

- La chambre de réfrigération est adaptée pour le stockage de divers fruits, légumes, boissons et autres aliments consommés à court terme.
- Les aliments chauds ne doivent pas être placés dans la chambre de réfrigération tant qu'ils n'ont pas refroidi à la température ambiante.
- Il est recommandé de sceller les aliments avant de les mettre dans le réfrigérateur.
- Les étagères en verre peuvent être ajustées vers le haut ou vers le bas pour un espace de stockage approprié et une utilisation facile.

**Note:** Le stockage de trop de nourriture pendant le fonctionnement après la première connexion à l'alimentation peut affecter négativement l'effet de congélation du réfrigérateur. Les aliments stockés ne doivent pas bloquer la sortie d'air, sinon l'effet de congélation sera également affecté négativement.

## Fonctions



### 1. Clé

- A. Bouton de réglage de la température
- B. Bouton de veille

### 2. Icône de température

1. Réglage 1 : la température réglée est de 8 °C
2. Réglage 2 : la température réglée est de 6 °C
3. Réglage 2 : la température réglée est de 4 °C
4. Réglage 2 : la température réglée est de 3 °C
5. Réglage 2 : la température réglée est de 2 °C
6. Réglage 2 : Super refroidissement

La photo ci-dessus est fournie à titre indicatif seulement. La configuration réelle dépendra du produit physique ou des indications fournies par le distributeur.

### 3. Lorsque l'alimentation du réfrigérateur est activée:

Tous les icônes de température s'allument dans les 3 secondes après la mise sous tension. Lors de la première mise sous tension, la température prédéfinie par défaut est de 4 °C. Ensuite, à chaque démarrage du réfrigérateur, il fonctionnera en fonction de la température réglée avant la dernière mise hors tension.

## Affichage de fonctionnement normal

En cas de défaillance, les icônes correspondants clignoteront conjointement:  
Les codes d'erreur et les types sont indiqués comme suit:

### Réfrigérateur


Code d'erreur	Description de l'erreur	Affichage
<b>E1</b>	Capteur de température de la salle de réfrigération défaillant	Les icônes "SUPER COOL" & "2" s'allument simultanément
<b>E2</b>	Capteur de dégivrage de la salle de réfrigération défaillant	Les icônes "SUPER COOL" & "3" s'allument simultanément
<b>E6</b>	Erreur de communication	Les icônes "2" & "4" s'allument simultanément
<b>E7</b>	Erreur de capteur de température ambiante	Les icônes "SUPER COOL" & "4" s'allument simultanément

En l'absence de défaillance, l'écran affiche la température réglée de la salle de réfrigération.

### Fonction de veille

Appuyez longuement sur le bouton de veille  pendant 10 secondes pour activer la fonction de veille.

### Réglage de la température

Le réglage de la température sera modifié une fois que vous appuierez sur le bouton . Ensuite, le réfrigérateur fonctionnera selon le nouveau réglage de température après 15 secondes.



## ENTRETIEN ET SOIN DE L'APPAREIL

### Nettoyage général

- La poussière derrière le réfrigérateur et sur le sol doit être nettoyée régulièrement pour améliorer l'effet de refroidissement et économiser de l'énergie.
- Vérifiez régulièrement le joint de la porte pour vous assurer qu'il n'y a pas de débris. Nettoyez le joint de la porte avec un chiffon doux humidifié d'eau savonneuse ou de détergent dilué.
- L'intérieur du réfrigérateur doit être nettoyé régulièrement pour éviter les odeurs.
- Veuillez éteindre l'alimentation avant de nettoyer l'intérieur, enlever tous les aliments, boissons, étagères, tiroirs, etc.
- Utilisez un chiffon doux ou une éponge pour nettoyer l'intérieur du réfrigérateur, avec deux cuillères à soupe de bicarbonate de soude et un litre d'eau tiède. Ensuite, rincez à l'eau et essuyez propre. Après le nettoyage, ouvrez la porte et laissez-la sécher naturellement avant de rétablir l'alimentation.
- Pour les zones difficiles à nettoyer dans le réfrigérateur (comme les espaces étroits, les interstices ou les coins), il est recommandé de les essuyer régulièrement avec un chiffon doux, une brosse douce, etc., et si nécessaire, d'utiliser quelques outils auxiliaires (comme des bâtonnets fins) pour garantir l'absence d'accumulation de contaminants ou de bactéries dans ces zones.
- N'utilisez pas de savon, de détergent, de poudre à récuser, de nettoyant en spray, etc., car cela pourrait provoquer des odeurs à l'intérieur du réfrigérateur ou contaminer les aliments.
- Nettoyez la porte-bouteilles, les étagères et les tiroirs avec un chiffon doux humidifié d'eau savonneuse

ou de détergent dilué. Séchez avec un chiffon doux ou laissez sécher naturellement.

- Essuyez la surface extérieure du réfrigérateur avec un chiffon doux humidifié d'eau savonneuse, de détergent, etc., puis essuyez à sec.
- N'utilisez pas de brosses dures, de boules d'acier, de brosses métalliques, d'abrasifs (comme les dentifrices), de solvants organiques (comme l'alcool, l'acétone, l'huile de banane, etc.), d'eau bouillante, d'articles acides ou alcalins, car cela pourrait endommager la surface et l'intérieur du réfrigérateur. L'eau bouillante et les solvants organiques tels que le benzène peuvent déformer ou endommager les pièces en plastique.
- N'aspergez pas directement d'eau ou d'autres liquides lors du nettoyage pour éviter les courts-circuits ou affecter l'isolation électrique après immersion.

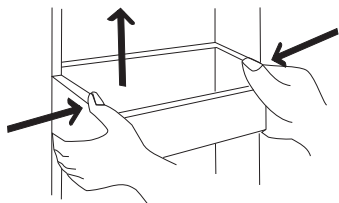


Veuillez débrancher le réfrigérateur pour dégivrer et nettoyer.

## Nettoyage du bac de porte, du bac à fruits et légumes, et du tiroir

- Selon la flèche directionnelle dans la figure ci-dessous, utilisez les deux mains pour presser le plateau, et poussez-le vers le haut, puis vous pouvez le retirer.
- Après avoir lavé le plateau retiré, vous pouvez ajuster sa hauteur d'installation selon vos besoins. Il est recommandé d'utiliser des serviettes douces ou une éponge trempée dans de l'eau et des détergents neutres non corrosifs pour le nettoyage. Le congélateur doit être finalement nettoyé à l'eau propre et à l'aide d'un chiffon sec. Ouvrez la porte pour un séchage naturel avant de rétablir l'alimentation.

N'utilisez pas de brosses dures, de boules d'acier, de brosses métalliques, d'abrasifs tels que les dentifrices, de solvants organiques (comme l'alcool, l'acétone, l'huile de banane, etc.), d'eau bouillante, d'articles acides ou alcalins pour nettoyer le réfrigérateur, car cela pourrait endommager la surface et l'intérieur du réfrigérateur.



La photo ci-dessus est uniquement à titre de référence. La configuration réelle dépendra du produit physique ou des indications du distributeur.

## Nettoyage de l'étagère en verre

- Comme la partie la plus interne de la doublure du réfrigérateur en contact avec les étagères a une butée, vous devez soulever les étagères vers le haut pour pouvoir les retirer.
- Ajustez ou nettoyez les étagères selon vos besoins. Il est recommandé d'utiliser des serviettes douces ou une éponge trempée dans de l'eau et des détergents neutres non corrosifs pour le nettoyage. Le congélateur doit être finalement nettoyé à l'eau propre et à l'aide d'un chiffon sec. Ouvrez la porte pour un séchage naturel avant de rétablir l'alimentation. N'utilisez pas de brosses dures, de boules d'acier, de brosses métalliques, d'abrasifs tels que les dentifrices, de solvants organiques (comme l'alcool, l'acétone, l'huile de banane, etc.), d'eau bouillante, d'articles acides ou alcalins pour nettoyer le réfrigérateur, car cela pourrait endommager la surface et l'intérieur du réfrigérateur.

## Dégivrage

- Le réfrigérateur est conçu selon le principe de refroidissement par air et dispose donc d'une fonction de dégivrage automatique. La formation de givre due au changement de saison ou de température peut également être éliminée manuellement en débranchant l'appareil de l'alimentation électrique ou en l'essuyant avec une serviette sèche.

## Hors service

- Panne de courant: En cas de panne de courant, même en été, les aliments à l'intérieur de l'appareil peuvent être conservés pendant plusieurs heures; pendant la panne de courant, il est recommandé de réduire le nombre d'ouvertures de porte, et aucun aliment frais ne doit être ajouté à l'appareil.
- Non-utilisation prolongée: L'appareil doit être débranché, puis nettoyé; ensuite, les portes sont laissées ouvertes pour éviter les odeurs.
- Déplacement: Avant de déplacer le réfrigérateur, retirez tous les objets à l'intérieur, fixez les partitions en verre, le porte-légumes, les tiroirs de la chambre de congélation, etc. avec du ruban adhésif, et serrez les pieds de nivellement; fermez les portes et fixez-les avec du ruban adhésif. Pendant le déplacement, l'appareil ne doit pas être mis à l'envers ou à l'horizontale, ni être secoué; l'inclinaison pendant le déplacement ne doit pas dépasser 45°.



L'appareil doit fonctionner en continu une fois qu'il est démarré. En général, le fonctionnement de l'appareil ne doit pas être interrompu; sinon, la durée de vie de l'appareil peut être altérée.

## DÉPANNAGE

You may try to solve the following simple problems by yourself.  
If them cannot be solved, please contact the after-sales department.

Opération échouée	Vérifiez si l'appareil est connecté à l'alimentation ou si la prise est bien en contact Vérifiez si la tension est trop basse Vérifiez s'il y a une panne de courant ou si des circuits partiels ont disjoncté
Odeur	Les aliments odorants doivent être bien emballés Vérifiez s'il y a des aliments pourris Nettoyez l'intérieur du réfrigérateur
Fonctionnement prolongé du compresseur	Le fonctionnement prolongé du réfrigérateur est normal en été lorsque la température ambiante est élevée Il n'est pas recommandé de mettre trop de nourriture dans l'appareil en même temps Les aliments doivent être refroidis avant d'être placés dans l'appareil. Les portes sont ouvertes trop fréquemment
La lumière ne s'allume pas	Vérifiez si le réfrigérateur est connecté à l'alimentation électrique et si la lumière d'éclairage est endommagée Faites remplacer la lumière par un spécialiste
Les portes ne peuvent pas être correctement fermées	La porte est bloquée par des emballages alimentaires Le réfrigérateur est incliné

Bruit fort	Vérifiez si le sol est de niveau et si le réfrigérateur est placé de manière stable Vérifiez si les accessoires sont placés aux emplacements appropriés
Le joint de la porte ne se ferme pas correctement	Retirez les éléments étrangers du joint de la porte. Chauffez le joint de la porte, puis refroidissez-le pour le restaurer (ou utilisez un sèche-cheveux électrique ou une serviette chaude pour le chauffer)
Le bac d'écoulement déborde	Il y a trop de nourriture dans la chambre ou la nourriture stockée contient trop d'eau, entraînant un dégivrage important Les portes ne sont pas fermées correctement, ce qui provoque de la formation de givre en raison de l'entrée d'air et une augmentation d'eau due au dégivrage
Boîtier chaud	La dissipation de chaleur du condenseur intégré se fait à travers le boîtier, ce qui est normal. Lorsque le boîtier devient chaud en raison d'une température ambiante élevée et d'un stockage excessif de nourriture, il est recommandé de fournir une ventilation adéquate pour faciliter la dissipation de chaleur.
Condensation en surface	La condensation à la surface extérieure et sur les joints de porte du réfrigérateur est normale lorsque l'humidité ambiante est trop élevée. Il suffit d'essuyer la condensation avec une serviette propre.
Bruit anormal	Bruit de bourdonnement : Le compresseur peut produire des bourdonnements pendant le fonctionnement, et les bourdonnements peuvent être particulièrement forts au démarrage ou à l'arrêt. C'est normal. Craquement : Le fluide frigorigène circulant à l'intérieur de l'appareil peut produire des craquements, ce qui est normal.

# SIGURNOSNA UPOZORENJA

## UPOZORENJE:



**Upozorenje:** opasnost od požara/zapaljivih materijala

## PREPORUKE:

- Ovaj uređaj je namijenjen za korištenje u kućanstvu i sličnim aplikacijama kao što su kuhinje za osoblje u trgovinama, uređima i drugim radnim okruženjima; farme i klijenti u hotelima, motelima i drugim stambenim sredinama; okružena tipa noćenje i doručak; ugostiteljstvo i slične nemaloprodajne primjene.
- Ako je kabel za napajanje oštećen, mora ga zamijeniti proizvođač, njegov serviser ili slično kvalificirana osoba kako bi se izbjegla opasnost.
- Ne pohranjujte eksplozivne tvari kao što su aerosolne limenke sa zapaljivim pogonskim plinom u ovom uređaju.
- Aparat se mora isključiti iz utičnice nakon uporabe i prije održavanja uređaja od strane korisnika.
- **UPOZORENJE:** Otvore za ventilaciju, u kućištu uređaja ili u ugrađenoj strukturi, držite slobodnima od prepreka.
- **UPOZORENJE:** Nemojte koristiti mehaničke uređaje ili druga sredstva za ubrzavanje procesa odmrzavanja, osim onih koje preporučuje proizvođač.
- **UPOZORENJE:** Nemojte oštetiti krug rashladnog sredstva.
- **UPOZORENJE:** Ne koristite električne uređaje unutar odjeljaka za pohranu hrane u uređaju, osim ako nisu one vrste koju preporučuje proizvođač
- **UPOZORENJE:** Napustite uređaj u skladu s lokalnim propisima jer koristi zapaljivi plin i rashladno sredstvo.
- **UPOZORENJE:** Prilikom postavljanja uređaja pazite da kabel za napajanje nije uklješten ili oštećen.
- **UPOZORENJE:** Nemojte locirati više prijenosnih utičnica ili prijenosnih izvora napajanja na stražnjoj strani uređaja.
- Nemojte koristiti produžne kabele ili neuzemljene adaptere (s dva zupca).
- **OPASNOST:** Opasnost od uklještenja djeteta.
  - Skinite vrata.
  - Ostavite police na mjestu kako se djeca ne bi mogla lako popeti unutra.
- Aparat mora biti isključen iz izvora električne energije prije pokušaja postavljanja pribora.
- Rashladno sredstvo i ciklopentanski pjenasti materijal koji se koristi za hladnjak su zapaljivi. Stoga, kada se hladnjak rashoduje, treba ga držati dalje od bilo kakvog izvora vatre i treba ga oporaviti posebna tvrtka za oporabu s odgovarajućim kvalifikaciju osim zbrinjavanja izgaranjem, kako bi se spriječila šteta za okoliš ili bilo kakva druga šteta.
- Za EN standard: Ovaj uređaj mogu koristiti djeca starija od 8 godina i osobe sa smanjenim fizičkim osjetljivim ili mentalnim sposobnostima ili nedostatkom iskustva i znanja ako su pod nadzorom ili su im date upute o korištenju uređaja na siguran način. i razumjeti uključene opasnosti. Djeca se ne smiju igrati s uređajem. Čišćenje i korisničko održavanje ne smiju obavljati djeca bez nadzora. Djeci od 3 do 8 godina dopušten je ulazak i istovar rashladnih uređaja.
- Za IEC standard: Ovaj uređaj nije namijenjen za korištenje od strane osoba (uključujući djecu) sa smanjenim fizičkim, osjetljivim ili mentalnim sposobnostima, ili nedostatkom iskustva i znanja, osim ako ih osoba ne nadgleda ili ih podučava u vezi s korištenjem uređaja. odgovorni za njihovu sigurnost.)
- Djecu treba nadzirati kako se ne bi igrala s uređajem.
- Upute moraju sadržavati sadržaj sljedećeg: Kako biste izbjegli kontaminaciju hrane, pridržavajte se sljedećih uputa:
  - Dugotrajno otvaranje vrata može uzrokovati značajno povećanje temperature u odjeljcima uređaja.
  - Redovito čistite površine koje mogu doći u dodir s hranom i dostupne odvodne sustave.
  - Očistiti spremnike za vodu ako nisu korišteni 48 h; isperite vodovodni sustav spojen na vodovod ako voda nije crpljena 5 dana. (bilješka 1)
  - Sirovo meso i ribu čuvajte u prikladnim posudama u hladnjaku, tako da ne dolaze u dodir s drugom hranom ili kapaju po njoj.
  - Dvije zvjezdice odjeljci za smrznutu hranu su pogodan za čuvanje prethodno zamrznute hrane, spremanje ili izradu sladoleda i izradu kockica leda. (Napomena 2)
  - Jedan , dva i s tri zvjezdice odjeljci nisu prikladni za zamrzavanje svježe hrane. (bilješka 3)
  - Ako je rashladni uređaj dulje vrijeme prazan, isključite ga, odmrznite, očistite, osušite i ostavite otvorena vrata kako biste spriječili stvaranje plijesni unutar uređaja.

Napomena 1,2,3: potvrdite je li primjenjivo prema vrsti odjeljka vašeg proizvoda.

## Značenje sigurnosnih simbola upozorenja



Ovo je simbol zabrane. Svaka neusklađenost s upute označene ovim simbolom mogu dovesti do oštećenja proizvoda ili ugroziti osobnu sigurnost korisnika.



Ovo je simbol upozorenja. Potrebno je raditi uz strogo poštivanje uputa označenih ovim simbolom; ili na drugi način može doći do oštećenja proizvoda ili osobne ozljede.



Ovo je simbol upozorenja. Upute označene ovim simbolom zahtijevaju poseban oprez. Nedovoljan oprez može rezultirati lakšom ili srednje teškom ozljedom ili oštećenjem proizvoda.

Ovaj priručnik sadrži puno važnih sigurnosnih informacija kojih se korisnici moraju pridržavati.

## Upozorenja vezana uz struju

- Nemojte povlačiti kabel za napajanje kada izvlačite utikač hladnjaka. Čvrsto uhvatite utikač i izravno ga izvucite iz utičnice.
- Kako biste osigurali sigurnu uporabu, nemojte oštetiti kabel za napajanje ili koristiti kabel za napajanje ako je oštećen ili istrošen.
- Koristite namjensku utičnicu, a utičnica se ne smije dijeliti s drugim električnim uređajima.
- Utikač mora biti čvrsto u kontaktu s utičnicom jer inače može doći do požara.
- Provjerite je li elektroda za uzemljenje utičnice opremljena pouzdanim uzemljenjem.
- Zatvorite ventil ispuštanja plina i otvorite vrata i prozore u slučaju istjecanja plina i drugih zapaljivih plinova. Ne isključujte hladnjak i druge električne uređaje jer iskra može izazvati požar.
- Ne koristite električne uređaje na vrhu uređaja, osim ako nisu one vrste koju preporučuje proizvođač

## Upozorenja za korištenje

- Nemojte samovoljno rastavljati ili rekonstruirati hladnjak, niti oštetiti krug rashladnog sredstva; održavanje uređaja mora provoditi stručnjak.
- Oštećeni kabel za napajanje mora zamijeniti proizvođač, njegov odjel za održavanje ili srodni stručnjaci kako bi se izbjegla opasnost.
- Razmaci između vrata hladnjaka i između vrata i kućišta hladnjaka su mali, imajte na umu da ne stavljate ruku u ta područja kako biste spriječili stiskanje prsta. Budite pažljivi kada otvarate vrata hladnjaka kako biste izbjegli pad predmeta.
- Ne birajte hranu ili posude mokrim rukama u komori za zamrzavanje dok hladnjak radi, posebno metalne posude kako biste izbjegli ozeblina.
- Ne dopustite nijednom djetetu da uđe ili se popne na hladnjak; u protivnom može doći do gušenja ili ozljeda djeteta pri padu.
- Ne stavljajte teške predmete na vrh hladnjaka s obzirom na to da bi objekti mogli pasti kada se zatvaraju ili otvaraju vrata, što može uzrokovati slučajne ozljede.
- Isključite utikač u slučaju nestanka struje ili čišćenja. Ne spajajte zamrzivač na napajanje unutar pet minuta kako biste spriječili oštećenje kompresora uslijed uzastopnih pokretanja.

## Upozorenja za plaskan

- Ne stavljajte zapaljive, eksplozivne, hlapljive i visoko korozivne predmete u hladnjak kako biste spriječili oštećenje proizvoda ili požar.
- Ne stavljajte zapaljive predmete blizu hladnjaka kako biste izbjegli požar.
- Hladnjak je namijenjen za korištenje u kućanstvu, kao što je skladištenje namirnica; ne smije se koristiti u druge svrhe, kao što je skladištenje krvi, lijekova ili bioloških proizvoda itd.
- Nemojte spremati pivo, piće ili drugu tekućinu sadržanu u bocama ili zatvorenim posudama u komoru za zamrzavanje hladnjaka; inače bi boce ili zatvoreni spremnici mogli puknuti zbog smrzavanja i uzrokovati oštećenja.

## Upozorenja za energiju

1. Rashladni uređaji možda neće raditi dosljedno (mogućnost odmrzavanja sadržaja ili temperatura koja postaje previsoka u odjeljku za smrznutu hranu) ako se dulje vrijeme nalaze ispod hladnog kraja raspona temperatura za koje je rashladni uređaj dizajniran.
2. Činjenica da se gazirana pića ne smiju čuvati u odjeljcima ili ormarima za zamrzavanje hrane ili u odjeljcima ili ormarima s niskom temperaturom, te da se neki proizvodi poput vodenog leda ne smiju konzumirati prehladni;
3. Potreba da se ne prekorači vrijeme(a) skladištenja koje preporučuju proizvođači hrane za bilo koju vrstu hrane, a posebno za komercijalno brzo smrznutu hranu u zamrzivaču hrane i odjeljcima ili ormarima za skladištenje smrznute hrane;
4. Mjere opreza potrebne za sprječavanje nepotrebnog porasta temperature smrznute hrane tijekom odmrzavanja rashladnog uređaja, kao što je umatanje smrznute hrane u nekoliko slojeva novina.
5. Činjenica da porast temperature zamrznute hrane tijekom ručnog odmrzavanja, održavanja ili čišćenja može skratiti vijek trajanja.
6. Potreba da se, za vrata ili poklopce opremljene bravama i ključevima, ključevi drže izvan dohvata djece, a ne u blizini rashladnog uređaja, kako bi se spriječilo da se djeca zaključaju unutra

## Upozorenja za odlaganje



Rashladno sredstvo i ciklopentanski pjenasti materijal koji se koristi za hladnjak su zapaljivi. Stoga, kada se hladnjak struže, treba ga držati podalje od bilo kakvog izvora vatre i treba ga oporaviti posebna tvrtka za oporabu s odgovarajućom kvalifikacijom, osim zbrinjavanja izgaranjem, kako bi se spriječilo šteta za okoliš ili bilo kakva druga šteta.



Kada je hladnjak ostrugan, rastavite vrata i uklonite brtvu vrata i police; postavite vrata i police na odgovarajuće mjesto kako biste spriječili zarobljavanje djeteta.



Ispravno odlaganje ovog proizvoda:

Ova oznaka označava da se ovaj proizvod ne smije odlagati s ostalim kućnim otpadom u cijeloj EU. Kako biste spriječili moguću štetu okolišu ili ljudskom zdravlju zbog nekontroliranog odlaganja otpada, reciklirajte ga odgovorno kako biste promovirali održivu ponovnu upotrebu materijalnih resursa. Za vraćanje rabljenog uređaja upotrijebite sustave povrata i prikupljanja ili se obratite prodavaču kod kojeg je proizvod kupljen. Oni mogu odnijeti ovaj proizvod na ekološki prihvatljivo recikliranje.



# PRAVILNO KORIŠTENJE HLADNJAKA

## Plasman

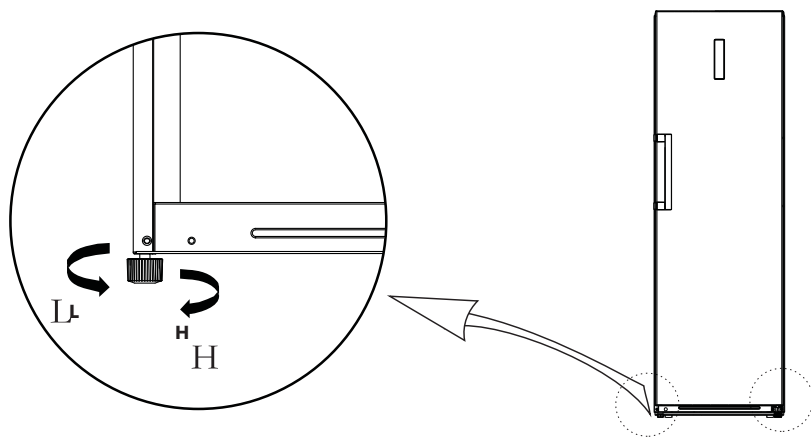
- Prije uporabe uklonite sav materijal za pakiranje, uključujući donje jastuke, pjenaste jastučice i trake unutar hladnjaka; otkinuti zaštitnu foliju na vratima i kućištu hladnjaka.
- Držite podalje od topline i izbjegavajte izravnu sunčevu svjetlost. Ne stavljajte zamrzivač na vlažna ili vodena mjesta kako biste spriječili hrđu ili smanjenje izolacijskog učinka.
- Nemojte prskati ili prati hladnjak; nemojte stavljati hladnjak na vlažna mjesta koja se lako mogu poprskati vodom kako ne biste utjecali na svojstva električne izolacije hladnjaka.
- Hladnjak je smješten u dobro prozračenom zatvorenom prostoru; tlo mora biti ravno i čvrsto (okrenite lijevo ili desno kako biste podesili kotač za izravnavanje ako je nestabilno).
- Gornji prostor hladnjaka mora biti veći od 30 cm, a hladnjak treba postaviti uza zid sa slobodnim razmakom većim od 10 cm kako bi se olakšala disipacija topline.

## Noge za izravnavanje

### 1. Mjere opreza prije operacije:

Prije rada s dodacima, potrebno je osigurati da je hladnjak isključen iz struje. Prije podešavanja nožica za izravnavanje potrebno je poduzeti mjere opreza kako biste spriječili bilo kakve osobne ozljede.

### 2. Shematski dijagram nožica za izravnavanje

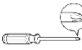





Slika iznad je samo za referencu. Stvarna konfiguracija ovisit će o fizičkom proizvodu ili izjavi distributera.

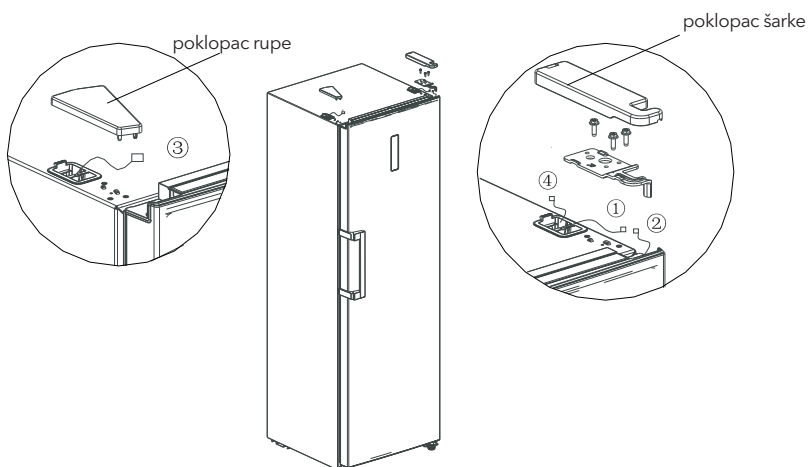
### 3. Postupci prilagodbe:

- Okrenite nožice u smjeru kazaljke na satu kako biste podigli hladnjak;
- Okrenite nožice u smjeru suprotnom od kazaljke na satu kako biste spustili hladnjak;
- Namjestite desnu i lijevu nogu na vodoravnu razinu prema gore navedenim postupcima.

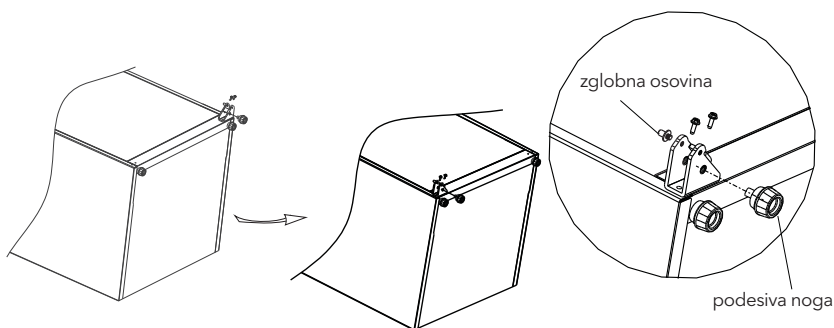
## 2.4 Izmjena lijevog nosača vrata (opcionalno).

Popis alata koje mora osigurati korisnik			
	Križni odvijač		Nož za kit odvijač s tankom oštricom
	5/16" utičnica i čegrtaljka		Samoljepljiva traka

1. Isključite hladnjak i uklonite sve predmete s policama na vratima.
2. Rastavite kapice rupa za vijke, vijke i ručku i uklonite plastične kapice rupa za vijke s druge strane. Molimo pogledajte poglavlje 2.2.
3. Rastavite poklopac gornje šarke, vijke i gornju šarku i uklonite poklopac rupe s druge strane. Odspojite konektor ožičenja na desnoj strani gornje strane hladnjaka (1, 2, konektor za ožičenje).

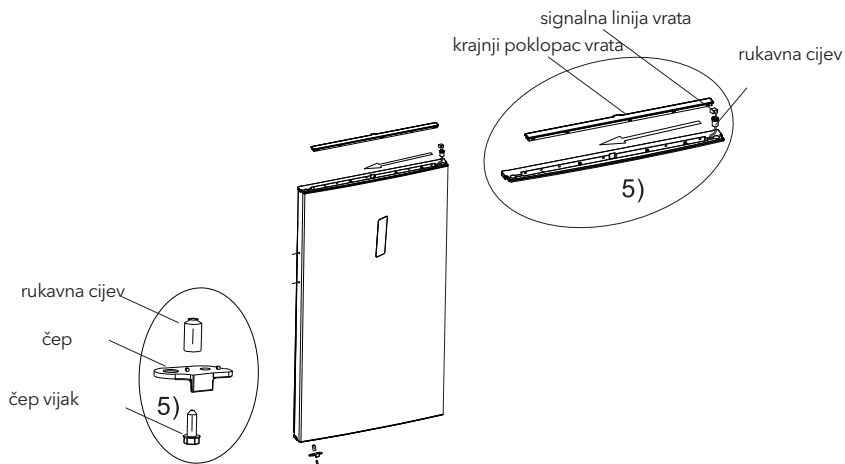


4. Rastavite sklop vrata i desnu donju šarku (osovinu šarke i podesivo podnožje i šarku) i sastavite osovinu šarke i podesivo podnožje na drugoj strani šarke, zatim sastavite cijeli sklop šarke na drugoj strani hladnjaka.

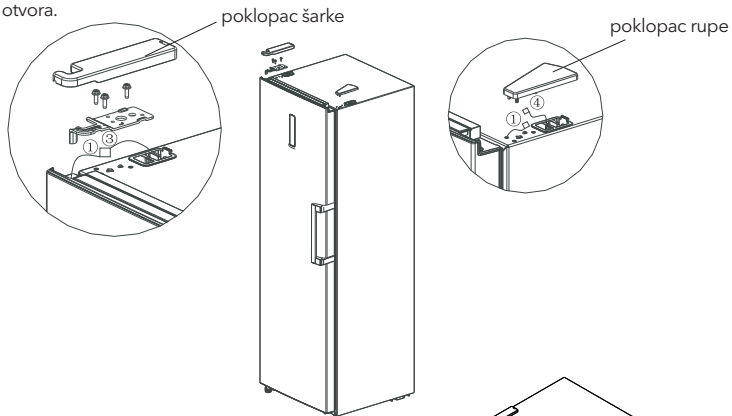


5. Uklonite krajnji poklopac vrata, postavite gornju čahuru šarke i signalnu liniju vrata na drugu stranu i postavite krajnji poklopac vrata.

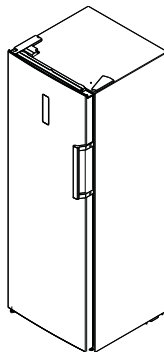
Rastavite graničnik vrata, naglavnu cijev s donjeg desnog dijela vrata, umetnite naglavnu cijev u rupu šarke na lijevom donjem dijelu vrata, sastavite graničnik na lijevom donjem dijelu vrata.



6. Izvadite lijevu gornju šarku, poklopac lijeve gornje šarke iz paketa pribora, postavite vrata na donju šarku i montirajte lijevu gornju šarku. Spojite terminal signalnog voda 3. s terminalom signalnog voda 2. spojite terminal signalnog voda 1. s terminalom signalnog voda 4. montirajte gornji poklopac šarke i poklopac otvora.

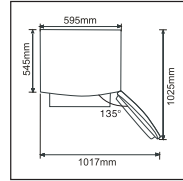


7. Za sastavljanje ručke, pogledajte poglavlje 2.2.



## Početak korištenja

- Prije prvog pokretanja, držite hladnjak pola sata mirnim prije nego što ga spojite na napajanje.
- Prije stavljanja bilo kakve svježe ili zamrznute hrane, hladnjak mora raditi 2-3 sata, ili više od 4 sata ljeti kada je temperatura okoline visoka.
- Ostavite dovoljno prostora za praktično otvaranje vrata i ladicica.
- Gornja slika služi samo kao referenca. Stvarna konfiguracija ovisit će o fizičkom proizvodu ili izjavi distributera

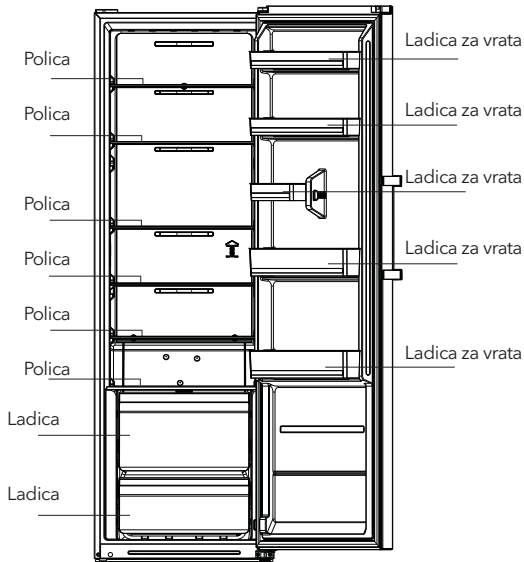


## Savjeti za uštedu energije

- Aparat bi trebao biti smješten u najhladnijem dijelu prostorije, dalje od uređaja koji proizvode toplinu ili grijaćih kanala i izvan izravne sunčeve svjetlosti.
- Neka se topla hrana ohladi na sobnu temperaturu prije stavljanja u uređaj. Preopterećenje uređaja prisiljava kompresor da radi duže. Hrana koja se presporo zamrzava može izgubiti kvalitetu ili se pokvariti.
- Obavezno pravilno zamotajte hranu i obrišite posude suhom prije nego ih stavite u uređaj. Time se smanjuje nakupljanje leda unutar uređaja.
- Posuda za pohranjivanje u uređaju ne smije biti obložena aluminijskom folijom, voštanim papirom ili papirnatim ručnicima. Obloge ometaju cirkulaciju hladnog zraka, čineći uređaj manje učinkovitim.
- Organizirajte i označite hranu kako biste smanjili otvaranje vrata i duže pretrage. Uklonite onoliko predmeta koliko je potrebno odjednom i zatvorite vrata što je prije moguće.

## GRADBA I FUNKCIJE

### Ključne komponente



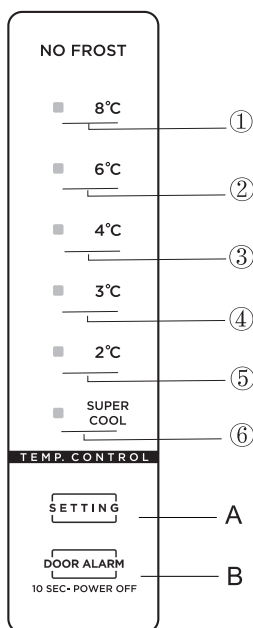
Slika iznad je samo za referencu. Stvarna konfiguracija ovisit će o fizičkom proizvodu ili izjavi distributera.

### Rashladna komora

- Rashladna komora je pogodna za skladištenje raznovrsnog voća, povrća, pića i druge hrane koja se konzumira u kratkom roku.
- Hrana za kuhanje ne smije se stavljati u rashladnu komoru dok se ne ohladi na sobnu temperaturu.
- Preporuča se da se hrana zatvori prije stavljanja u hladnjak.
- Staklene police mogu se podesti gore ili dolje za odgovarajući prostor za pohranu i jednostavno korištenje.

**Bilješka:** Pohranjivanje previše hrane tijekom rada nakon prvog spajanja na struju može nepovoljno utjecati na učinak zamrzavanja hladnjaka. Pohranjena hrana ne smije blokirati izlaz zraka; ili će u protivnom također biti nepovoljno pogođen učinak smrzavanja.

## Funkcije



### 1. Ključ

- A. Tipka za podešavanje temperature
- B. Gumb za stanje pripravnosti

### 2. Ikona temperature

1. Postavka 1: podešena temperatura je 8°C
2. Postavka 2: podešena temperatura je 6°C
3. Postavka 2: podešena temperatura je 4°C
4. Postavka 2: podešena temperatura je 3°C
5. Postavka 2: podešena temperatura je 2°C
6. Postavka 2: Super cool

Slika iznad je samo za referencu. Stvarna konfiguracija ovisit će o fizičkom proizvodu ili izjavi distributera.

### 3. Kada je hladnjak uključen:

Sve ikone temperature svijetle unutar 3 sekunde nakon uključivanja, za prvo uključivanje, zadana postavljena temperatura je 4°C.

Nakon toga, svaki put kada pokrenete hladnjak, on će raditi u skladu s postavljenom temperaturom prije posljednjeg isključivanja.

## Prikaz normalnog rada

U slučaju kvara, odgovarajuće ikone će kombinirano treptati: kodovi grešaka i vrste prikazani su kako slijedi:

### Hladnjak


Kod pogreške	Opis greške	Prikaz
<b>E1</b>	Kvar senzora temperature hladnjaka	Ikona „SUPER <sub>COOL</sub> “ & Ikona „2“ svijetli na isto vrijeme
<b>E2</b>	Kvar senzora za odleđivanje hladnjaka	Ikona „SUPER <sub>COOL</sub> “ & Ikona „3“ svijetli na isto vrijeme
<b>E6</b>	Greška u komunikaciji	Ikona „2“ i ikona „4“ svijetle istovremeno
<b>E7</b>	Pogreška senzora temperature okoline	Ikona „SUPER <sub>COOL</sub> “ & Ikona „4“ svijetli na isto vrijeme

Ako nema kvara, ekran prikazuje podešenu temperaturu prostorije hladnjaka.

## Funkcija pripravnosti

Dugo pritisnite tipku za stanje pripravnosti  10 sekundi za postavljanje funkcije pripravnosti.

## Podešavanje temperature

Postavka temperature će se promijeniti kada pritisnete tipku . Tada će hladnjak raditi prema novoj postavci temperature nakon 15 sekundi.



## ODRŽAVANJE I NJEGA APARATA

### Generalno čišćenje

- Prašina iza hladnjaka i na tlu mora se pravovremeno očistiti kako bi se poboljšao učinak hlađenja i ušteda energije.
- Redovito provjeravajte brtvu na vratima kako biste bili sigurni da nema nečistoća. Očistite brtvu vrata mekom krpom navlaženom sapunicom ili razrijeđenim deterdžentom.
- Unutrašnjost hladnjaka treba redovito čistiti kako biste izbjegli neugodne mirise.
- Isključite struju prije čišćenja unutrašnjosti, uklonite svu hranu, pića, police, ladice itd.
- Za čišćenje unutrašnjosti hladnjaka koristite meku krpu ili spužvu, s dvije žlice sode bikarbone i litrom tople vode. Zatim isperite vodom i obrišite. Nakon čišćenja, otvorite vrata i ostavite da se osuši prirodnim putem prije uključivanja napajanja.
- Za područja koja je teško čistiti u hladnjaku (kao što su uski sendviči, praznine ili kutovi), preporuča se redovito brisanje mekom krpom, mekom četkom itd., a po potrebi i u kombinaciji s nekim pomoćnim alatom (npr. kao tanke štapiće) kako bi se spriječilo nakupljanje kontaminanata ili bakterija u tim područjima.
- Nemojte koristiti sapun, deterdžent, prašak za ribanje, sredstvo za čišćenje u spreju itd., jer oni mogu uzrokovati mirise u unutrašnjosti hladnjaka ili kontaminirane hrane.
- Očistite okvir boce, police i ladice mekom krpom navlaženom sapunicom ili razrijeđenim deterdžentom. Osušite mekom krpom ili osušite prirodnim putem.

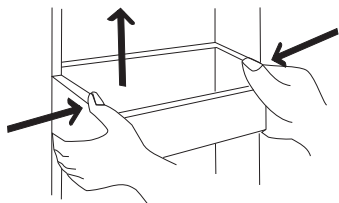
- Obrišite vanjsku površinu hladnjaka mekom krpom navlaženom sapunicom, deterdžentom itd., a zatim obrišite suhom.
- Nemojte koristiti tvrde četke, čiste čelične kuglice, žičane četke, abrazive (kao što su paste za zube), organska otapala (kao što su alkohol, aceton, ulje banane itd.), kipuću vodu, kisele ili alkalne predmete, koji mogu oštetiti hladnjak površine i unutrašnjosti. Kipuća voda i organska otapala poput benzena mogu deformirati ili oštetiti plastične dijelove.
- Nemojte ispirati izravno vodom ili drugim tekućinama tijekom čišćenja kako biste izbjegli kratke spojeve ili utjecali na električnu izolaciju nakon uranjanja.



Isključite hladnjak radi odmrzavanja i čišćenja.

## Čišćenje police na vratima, kutije za voće i povrće i ladice

- U skladu sa strelicom za smjer na donjoj slici, objema rukama stisnite ladicu i gurnite je prema gore, a zatim je možete izvaditi.
- Nakon što ste izvadili pladanj, možete namjestiti njegovu visinu u skladu sa svojim zahtjevima. Za čišćenje se preporučuju meki ručnici ili spužva umočena u vodu i nekorozivne neutralne deterdžente. Zamrzivač treba na kraju očistiti čistom vodom i suhom krpom. Otvorite vrata za prirodno sušenje prije uključivanja struje. Ne koristite tvrde četke, čiste čelične kuglice, žičane četke, abrazive, kao što su paste za zube, organska otapala (kao što su alkohol, aceton, ulje od banane itd.), kipuću vodu, kisele ili alkalne predmete za čišćenje hladnjaka jer to može oštetiti površina i unutrašnjost hladnjaka.



Slika iznad je samo za referencu. Stvarna konfiguracija ovisit će o fizičkom proizvodu ili izjavi distributera.

## Čišćenje staklene police

- Budući da najunutarnji dio obloge hladnjaka gdje dolazi u dodir s policama ima povratni graničnik, podignite police prema gore i tada ih možete izvaditi.
- Prilagodite ili očistite police prema svojim zahtjevima. Za čišćenje se preporučuju meki ručnici ili spužva umočena u vodu i nekorozivne neutralne deterdžente. Zamrzivač treba na kraju očistiti čistom vodom i suhom krpom. Otvorite vrata za prirodno sušenje prije uključivanja struje. Ne koristite tvrde četke, čiste čelične kuglice, žičane četke, abrazive, kao što su paste za zube, organska otapala (kao što su alkohol, aceton, ulje od banane itd.), kipuću vodu, kisele ili alkalne predmete za čišćenje hladnjaka jer to može oštetiti površina i unutrašnjost hladnjaka.

## Odmrzavanje

- Hladnjak je napravljen na principu zračnog hlađenja te ima funkciju automatskog odmrzavanja. Inje koje nastaje zbog promjene godišnjeg doba ili temperature također se može ukloniti ručno isključivanjem uređaja iz napajanja ili brisanjem suhim ručnikom.

## Izvan pogona

- Nestanak struje: U slučaju nestanka struje, čak i ako je ljeti, hrana se unutar uređaja može zadržati nekoliko sati; tijekom nestanka struje vrijeme otvaranja vrata mora se smanjiti i više se ne smije stavljati svježja hrana u uređaj.
- Dugotrajna neuporaba: Aparat treba isključiti iz struje i zatim očistiti; tada se vrata ostavljaju otvorena kako bi se spriječio miris.
- Premještanje: Prije premještanja hladnjaka, izvadite sve predmete iznutra prema van, pričvrstite staklene pregrade, držač povrća, ladice komore za zamrzavanje itd. s trakom i zategnite nožice za izravnavanje; zatvorite vrata i popravite ih trakom. Tijekom premještanja uređaj ne smije biti položen naopako ili vodoravno, niti se smije vibrirati; nagib tijekom kretanja ne smije biti veći od 45°.



Uređaj mora raditi neprekidno nakon što se pokrene. Općenito, rad uređaja ne smije se prekidati; u protivnom može doći do smanjenja radnog vijeka.

## RJEŠAVANJE PROBLEMA

Možete pokušati sami riješiti sljedeće jednostavne probleme. Ako ih nije moguće riješiti, obratite se postprodajnom odjelu.

Neuspješna operacija	Provjerite je li uređaj priključen na struju i je li utikač u dobrom kontaktu  Provjerite je li napon prenizak Provjerite je li došlo do nestanka struje ili je došlo do okidanja djelomičnih strujnih krugova
Miris	Mirisna hrana mora biti čvrsto zamotana Provjerite ima li pokvarene hrane Očistite unutrašnjost hladnjaka
Dugotrajno djelovanje kompresor	Dugi rad hladnjaka je normalan ljeti kada je temperatura okoline visoka  Nije preporučljivo imati previše hrane u uređaju u isto vrijeme Hrana se mora ohladiti prije stavljanja u uređaj Vrata se otvaraju prečesto
Svjetlo se ne upali	Provjerite da li je hladnjak priključen na struju i da li je lampica oštećena  Neka svjetlo zamijeni stručnjak
Vrata ne mogu biti pravilno zatvorena	Vrata su zaglavljena paketima hrane Hladnjak je nagnut
Glasna buka	Provjerite je li pod ravan i je li hladnjak stabilno. Provjerite jesu li dodaci postavljeni na ispravna mjesta



Brтва na vratima nije čvrsta	Uklonite strane predmete s brtve vrata. Zagrijte brtvu vrata, a zatim je ohladite za obnavljanje (ili ispuhajte električnim sušilom ili upotrijebite vrući ručnik za grijanje)
Posuda za vodu se prelijeva	U komori ima previše hrane ili pohranjena hrana sadrži previše vode, što dovodi do jakog odmrzavanja Vrata nisu pravilno zatvorena, što rezultira smrzavanjem zbog ulaska zraka i povećanom količinom vode zbog odmrzavanja
Vruće kućište	Odvođenje topline ugrađenog kondenzatora preko kućišta, što je normalno. Kada se kućište zagrije zbog visoke temperature okoline i skladištenja previše hrane, preporučuje se osigurati zvučnu ventilaciju kako bi se olakšala disipacija topline.
Površinska kondenzacija	Kondenzacija na vanjskoj površini i brtvama vrata hladnjaka je normalna kada je vlažnost zraka previsoka. Samo obrišite kondenzat čistim ručnikom.
Nenormalna buka	Zujanje: Kompresor može proizvoditi zujanje tijekom rada, a zujanje je glasno posebno nakon pokretanja ili zaustavljanja. Ovo je normalno. Škripa: Rashladno sredstvo koje teče unutar uređaja može izazvati škripu, što je normalno.





# BIZTONSÁGI FIGYELMEZTETÉSEK

## FIGYELMEZTETÉS:



**FIGYELEM:** Tűzveszély / gyúlékony anyagok

## AJÁNLÁSOK

- Ezt a készüléket háztartási célokra tervezték. Irodák és egyéb munkahelyek személyzeti konyháiban, családi házakban, szállodákban és motelekben, egyéb lakóhely jellegű környezetekben, panziókban, vendéglátóhelyeken és hasonló, nem kiskereskedelmi célú helyiségekben.
- Ha a tápkábel megsérül, a további veszélyek elkerülése érdekében azt csak a gyártó, annak szakszerve, vagy egy megfelelő felkészítéssel rendelkező szakember cserélheti ki.
- Ne tároljon robbanásveszélyes anyagokat, például gyúlékony hajtóanyagot tartalmazó aeroszolos dobozokat a készülékben.
- A készüléket karbantartás és tisztítás idejére áramtalanítani kell.
- FIGYELEM:** Tartsa szabadon a szellőzőnyílásokat
- FIGYELEM:** A leolvasztási folyamat felgyorsítására ne használjon a gyártó által nem javasolt mechanikus, vagy más eszközöket
- FIGYELEM:** Ne rongálja meg a hűtőközeg kört.
- FIGYELEM:** Ne használjon elektromos készülékeket a készülék élelmiszer tároló rekeszeiben kivéve, ha azokat a gyártó kifejezetten ajánlja.
- FIGYELEM:** A készüléket a helyi előírásoknak megfelelően ártalmatlanítsa a gyúlékony hűtőközeg miatt.
- FIGYELEM:** A készülék elhelyezésekor ügyeljen arra, hogy a tápkábel ne akadjon be vagy sérüljön meg.
- FIGYELEM:** Ne tároljon hosszabbítót a készülék mögött.
- Ne használjon hosszabbítót vagy földeletlen (kétágú) adaptereket.
- VESZÉLY:** Gyermeknek csapdába esésének veszélye. Mielőtt kidobja régi hűtőszekrényét vagy fagyasztóját:
  - Vegye le az ajtókat.
  - Hagya a polcokat a helyükön, hogy a gyerekek ne tudjanak könnyen bemászni a készülékbe.
- Áramtalanítsa a készüléket a tartozékok behelyezésekor.
- A hűtőszekrényhez használt hűtőközeg és a ciklopentán habosító anyag rendkívül gyúlékony. A nem használt hűtőszekrényt mindenféle tűzforrástól távol kell tartani, és a megfelelő képzéssel rendelkező vállalkozásnak kell ártalmatlanítania.
- EN szabványhoz: A készüléket 8 éven aluli gyermekek, valamint fizikai, érzékszervi vagy értelmi képességeikben korlátozott, illetve a készüléket és annak használatát nem ismerő személyek csak olyan felügyelete mellett használhatják, aki a berendezés biztonságos módon történő használatára és az ezzel járó veszélyekre vonatkozó szabályokat megismerte.
- IEC-szabványhoz: A készüléket nem használhatják olyan személyek (beleértve a gyermekeket is), akik csökkent fizikai, érzékszervi vagy szellemi képességekkel rendelkeznek, vagy nem rendelkeznek kellő tapasztalattal és ismeretekkel, kivéve, ha a biztonságukért felelős személy felügyeli vagy oktatja őket a készülék használatára vonatkozóan)
- Ügyeljen rá, hogy gyermekei ne játsszanak a készülékkel.
- Az élelmiszerek szennyeződésének elkerülése érdekében kérjük, tartsa be az alábbi utasításokat:
  - Az ajtó hosszú időre történő kinyitása a készülék rekeszeinek hőmérsékletének jelentős emelkedését okozhatja.
  - Rendszeresen tisztítsa meg az élelmiszerrel érintkező felületeket és a hozzáférhető vízelvezető rendszereket.
  - Tisztítsa meg a víztartályokat, ha 48 órán keresztül nem használták őket; 5 nap után öblítse át a vízellátáshoz csatlakoztatott vízhálózatot
  - A nyers húst és halat megfelelő tárolóedényekben tárolja a hűtőszekrényben úgy, hogy ne érintkezzen más élelmiszerekkel.
  - A kétszellagos fagyasztórekeszek  alkalmasak előfagyasztott élelmiszerek tárolására, jégkrém tárolására vagy készítésére, valamint jégkockák készítésére.
  - Az egy , két  és háromszellagos  rekeszek nem alkalmasak friss élelmiszerek fagyasztására.
  - Ha a készüléket hosszabb ideig nem használja, kapcsolja ki, olvassza le, tisztítsa meg, szárítsa ki, és hagyja nyitva az ajtót, hogy megakadályozza a készülékben a penész kialakulását.

Note 1,2,3: Please confirm whether it is applicable according to your product compartment type.

## A figyelmeztető szimbólumok jelentése



Ez egy tiltó szimbólum. Az ezzel a szimbólummal jelölt utasítások be nem tartása a termék károsodását eredményezheti, vagy veszélyeztetheti a felhasználó épségét.



Ez egy figyelmeztető szimbólum. Az ezzel a szimbólummal jelölt utasításokat szigorúan be kell tartani; ellenkező esetben a termék károsodása vagy személyi sérülés következhet be.



Ez egy figyelmeztető szimbólum. Megfelelő óvintézkedésekre van szükség, különben kisebb vagy közepes mértékű sérülések vagy a termék károsodása következhet be.

This manual contains lots of important safety information which shall be observed by the users.

## Elektromossággal kapcsolatos figyelmeztetések

- Soha ne a tápkábelnél fogva húzza ki a fagyasztó hálózati csatlakozóját. Fogja meg határozottan a villásdugót, és úgy húzza ki azt a konnektorból.
- A biztonságos használat érdekében semmilyen körülmények között ne rongálja meg a tápkábelt, ne használja, ha az megsérült.
- A készülék üzemeltetéséhez önálló konnektort használjon, ne ossza meg más készülékkel. A hálózati csatlakozónak stabilan kell érintkeznie a konnektorral, különben tüzet okozhat.
- Ügyeljen arra, hogy a hálózati aljzat földelő elektródája megbízható földelő vezetékkel legyen ellátva.
- Zárja el a biztonsági szelepet, majd nyissa ki az ajtókat és ablakokat, ha gáz és más gyúlékony gázok szivárgását észleli. Ne húzza ki a hűtőszekrényt és más elektromos készülékeket, tekintettel arra, hogy az esetlegesen keletkező szikra tüzet okozhat.
- A biztonság érdekében nem ajánlott a fagyasztó tetejére műszaki eszközöket és egyéb, a gyártó által nem ajánlott készülékeket elhelyezni. Ne használjon elektromos készülékeket az ételtartó edényben.

## Figyelmeztetések a használatra vonatkozóan

- Ne szerelje szét vagy építse át a hűtőszekrényt, és ne rongálja meg a hűtőkört; a készülék karbantartását minden esetben szakembernek kell elvégeznie.
- Ha a tápkábel megsérül, a további veszélyek elkerülése érdekében azt csak a gyártó, annak szakszervize, vagy egy megfelelő végzettséggel rendelkező szakember cserélheti ki.
- A hűtőszekrény ajtajai között, valamint az ajtók és a hűtőszekrényttest között a rések kicsik, ügyeljen arra, hogy ne tegye a kezét ezekre a területekre. Kérjük, legyen óvatos, amikor becsukja a hűtőszekrény ajtaját.
- Ne érjen a fagyasztórekeszben lévő élelmiszerekhez nedves, vizes kézzel, mert fagyási sérüléseket szenvedhet.
- Ne engedje, hogy gyermeke a hűtőszekrénybe másszon vagy felmásszon rá, mert súlyos sérüléseket szenvedhet.
- Ne helyezzen nehéz tárgyakat a hűtőszekrény tetejére, mert az ajtó becsukásakor vagy kinyitásakor azok leeshetnek, és balesetet okozhatnak.
- Áramszünet vagy tisztítás esetén húzza ki a villásdugót. Öt percen belül ne csatlakoztassa újra a hűtőszekrényt az áramforráshoz, hogy elkerülje a kompresszor károsodását.

## Figyelmeztetések az elhelyezéshez

- Ne tegyen gyúlékony, robbanásveszélyes, illékony, vagy erősen maró dolgokat a hűtőszekrénybe.
- A tüzesetek elkerülése érdekében ne helyezzen gyúlékony tárgyakat a hűtőszekrény közelébe.
- A hűtőszekrény háztartási használatra, például élelmiszerek tárolására szolgál; nem használható más célra, például vér, gyógyszerek vagy biológiai termékek stb. tárolására.
- Ne tároljon sört, italt vagy más, palackokban vagy zárt tartályokban lévő folyadékot a hűtőszekrény fagyasztórekeszében, ellenkező esetben a palackok a fagyás következtében megrepedhetnek és kárt okozhatnak.

## Egyéb figyelmeztetések

1. Előfordulhat, hogy a hűtőkészülék nem hűt egyenletesen a fagyasztóba helyezett, még meleg élelmiszerek miatt, vagy ha hosszabb időn keresztül, magasabb hőmérsékleti viszonyok között üzemelteti a készüléket.
2. A pezsgőitalokat nem szabad a fagyasztó rekeszekben, illetve alacsony hőmérsékletű rekeszekben tárolni. Ügyeljen rá, hogy egyes italokat, például a jeges vizet nem szabad túl hidegen fogyasztani.
3. Javasoljuk, hogy az élelmiszer-gyártók által ajánlott tárolási idő(ke)t semmilyen élelmiszer esetében, különösen a kereskedelmi forgalomban kapható gyorsfagyasztott élelmiszerek esetében ne lépje túl. Rendszeresen ellenőrizze az ételek lejáratí dátumát;
4. Leolvasztás idejére a fagyasztóban tárolt élelmiszereket érdemes több rétegnyi újságpapírba tekerni, hogy lelassítsa azok felolvadását.
5. A fagyasztott élelmiszerek tárolhatósági ideje a leolvasztási folyamat közben csökken.
6. Mindig gondosan zárja be készülék ajtajait, nehogy egy gyermek bemászhasson a készülékbe.

## Figyelmeztetések az ártalmatlanításra vonatkozóan



A fagyasztószekrényhez használt hűtőközeg és a ciklopentán habosító anyag rendkívül gyúlékony. A nem használt hűtőszekrényt mindenféle tűzforrástól távol kell tartani, és a megfelelő képzéssel rendelkező vállalkozásnak kell ártalmatlanítania.



Mielőtt kidobja régi hűtőszekrényét vagy fagyasztóját vegye le az ajtókat és hagyja a polcokat a helyükön, hogy a gyerekek ne tudjanak könnyen bemászni a készülékbe



A szimbólum azt jelzi, hogy a helyi törvényeknek és előírásoknak megfelelően a készüléket a háztartási hulladéktól elkülönítve kell a hulladékba helyezni. Ha a termék eléri élettartama végét, vigye a helyi hatóságok által kijelölt gyűjtőpontra. A készülék elkülönített módon történő gyűjtése és újrahasznosítása segít megővni a természeti erőforrásokat, és biztosítja, hogy az újrahasznosítás az emberi egészség és a környezet védelmével összhangban történjen. A termék újrahasznosítása érdekében további információért forduljon az illetékesekhez, a helyi hulladékgyűjtő szolgáltatóhoz vagy ahhoz az üzlethez, ahol a terméket megvásárolta.

# A HŰTŐSZEKRÉNY HELYES HASZNÁLATA

## Elhelyezés

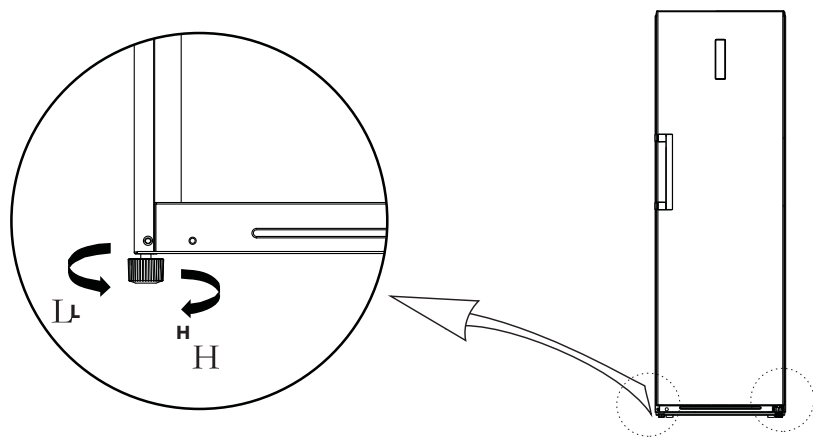
- A készülék használata előtt távolítsa el az összes csomagolóanyagot, beleértve az alsó habszivacs párnákat, valamint a készülék belsejében lévő szalagokat is, tépje le az ajtón és a készülékházon lévő védőfóliát.
- Tartsa távol hőforrásoktól és a közvetlen napfénytől. Ne tegye a készüléket nedves vagy vizes helyre, hogy elkerülje a rozsdásodást vagy a szigetelődhatás csökkenését.
- A fagyasztót jól szellőző, zárt helyen kell elhelyezni; a talajnak vízszintesnek és szilárdnak kell lennie.
- A fagyasztó tetejétől legalább 30 cm, és a hőelvezetés megkönnyítése érdekében a két oldaltól és a hátsó oldaltól való távolságnak legalább 10 cm-nek kell lennie.

## Szintezés

1. Óvintézkedések a művelet előtt:

A tartozékok használata előtt győződjön meg arról, hogy a hűtőszekrényt áramtalanította. A szintező lábak beállítása előtt óvintézkedéseket kell tenni a személyi sérülések elkerülése érdekében.

2. A szintező lábak sematikus ábrája

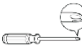

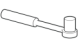



A fenti kép csak illusztráció, a termék ettől eltérő lehet.

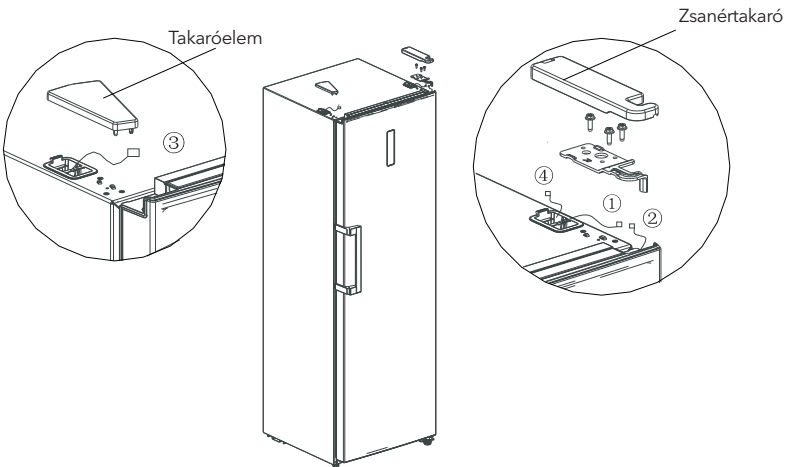
3. Beállítási folyamat:

- a. A hűtőszekrény felemeléséhez forgassa el a lábakat az óramutató járásával megegyező irányba;
- b. A hűtőszekrény leengedéséhez fordítsa el a lábakat az óramutató járásával ellentétes irányba;
- c. Állítsa a jobb és a bal lábat a fenti leírások alapján úgy, hogy a készülék vízszintesen álljon.

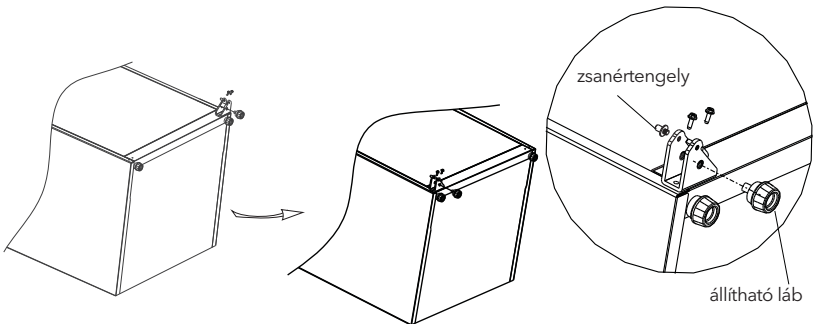
## 2.4 Ajtónyitás irány megváltoztatása

A szükséges eszközök			
	Csillagcsavarhúzó		Lapos fejű csavarhúzó Spakli
	5/16" dugókulcs		Maszkolószalag

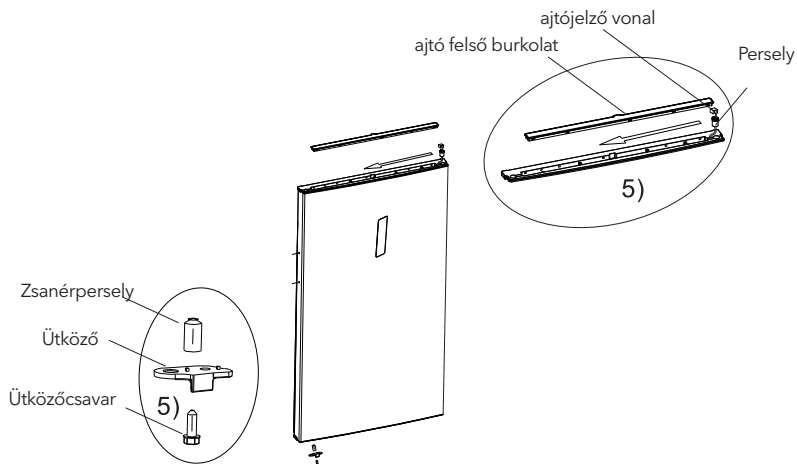
1. Kapcsolja ki a hűtőszekrényt, és távolítson el minden tárgyat az ajtóálcákról.
2. Szerelje le a zárókupakokat, a csavarokat és a fogantyút, és távolítsa el a műanyag takaróelemeket a másik oldalról. (2.2-es szakasz alapján)
3. Szerelje le a felső zsanérfedelelet, a csavarokat és a felső zsanért, és távolítsa el a takaróelemet a másik oldalról. Húzza ki a hűtőszekrényt tetejének jobb oldalán lévő kábelcsatlakozót (1, 2 kábelcsatlakozó).



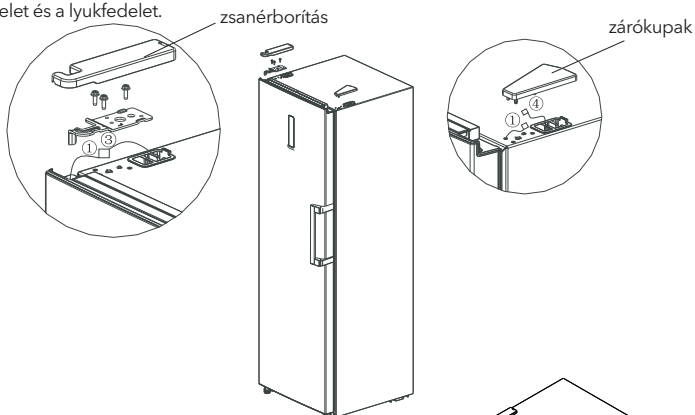
4. Szerelje szét az ajtó és a jobb alsó zsanér szerelvényt (zsanértengely, állítható láb és zsanér), szerelje szét a jobb alsó zsanér szerelvényt, szerelje össze a zsanértengelyt és az állítható lábat a zsanér másik oldalán, majd szerelje össze a teljes zsanér szerelvényt a hűtőszekrény másik oldalán.



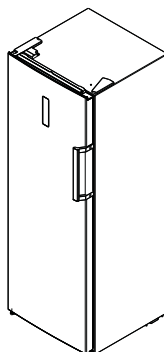
5. Távolítsa el az ajtó felső burkolatát, szerelje fel a felső zsanérperselyt a másik oldalra és szerelje vissza az ajtó felső burkolatát.  
Távolítsa el az ütközőblokkot és a zsanérperselyt, és szerelje fel őket az ajtótest másik oldalára.



6. Vegye ki a bal felső zsanért, a bal felső zsanérfedelelet a tartozéksomagból, helyezze az ajtót az alsó zsanérra, és szerelje fel a bal felső zsanért. Csatlakoztassa a 3. jelvezeték csatlakozót a 2. jelvezeték csatlakozóhoz, csatlakoztassa az 1. jelvezeték csatlakozót a 4. jelvezeték csatlakozóhoz szerelje fel a felső zsanérfedelelet és a lyukfedelelet.

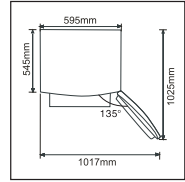


7. A fogantyú összeszerelését lásd a 2.2. fejezetben.



## Használatba vétel

- Első indítás előtt pihentesse legalább fél órát a készüléket, mielőtt csatlakoztatja az áramforráshoz.
- Járassa a fagyasztót 2-3 órát mielőtt bepakolja a friss vagy fagyasztott élelmiszereket; magasabb környezeti hőmérsékletben ez 4 órát vesz igénybe.
- Biztosítson elegendő helyet az ajtó kinyitásához.
- A képek csak illusztrációk, a termék ezektől eltérő lehet.

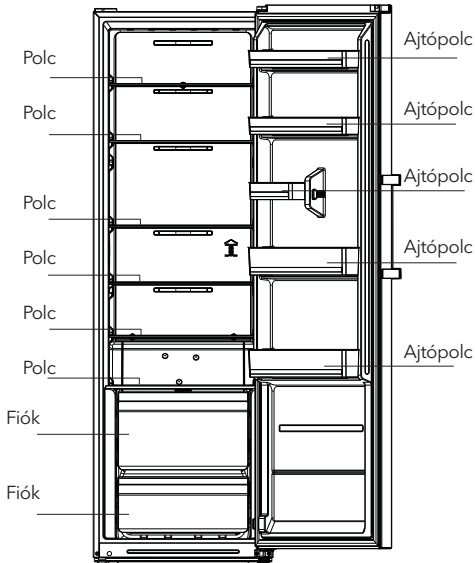


## Energiatakarékosági tippek

- A készüléket a helyiség leghűvösebb részén kell elhelyezni, távol a hőleadó készülékektől, fűtőcsövektől és a közvetlen napfénytől.
- A forró ételeket előbb hűtse szobahőmérsékletűre, mielőtt hűtőbe teszi. A készülék túlterhelése miatt a kompresszor hosszabb ideig működik és több energiát fogyaszt.
- Ügyeljen arra, hogy az élelmiszerek megfelelően be legyenek csomagolva, törölje szárazra a tárolóedényeket, mielőtt a készülékbe helyezi azokat. Ez csökkenti a jégképződést a készülék belsejében.
- A készülék rekeszeit nem szabad alumíniumfóliával, viaszpapírral vagy papírtörlővel kibélelni. A különböző bélések akadályozzák a hideg levegő megfelelő áramlását és így a készülék kevésbé lesz hatékony.
- Rendszerezze és címkézze fel az élelmiszereket, hogy csökkentsse az ajtónyitások és a hosszú keresgélések számát. Egyszerre csak annyi terméket vegyen ki, amennyire szükség van, és a lehető leghamarabb zárja be az ajtót.

## A KÉSZÜLÉK HELYES HASZNÁLATA

### Főbb alkatrészek



A kép csak illusztráció, a termék ettől eltérő lehet.

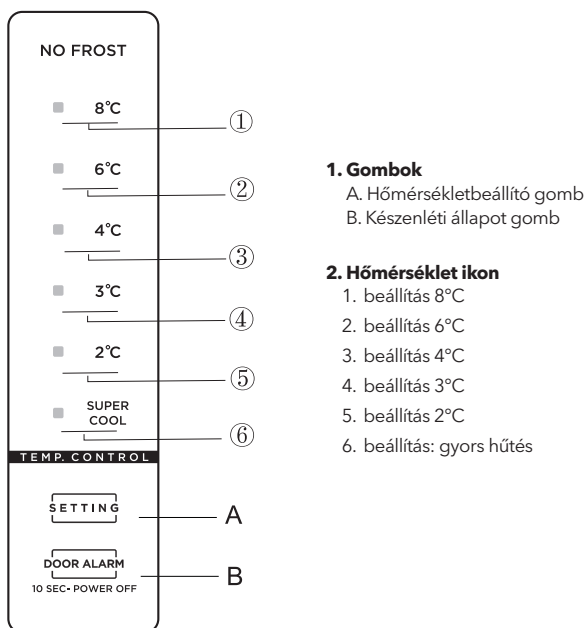


## Hűtőszekrény

- A hűtőrekesz alkalmas különféle gyümölcsök, zöldségek, italok és egyéb rövid távon fogyasztott élelmiszerek tárolására.
- A főzésre szánt élelmiszereket nem szabad a hűtőbe helyezni, amíg szobahőmérsékletre le nem hűlnek.
- Az élelmiszereket ajánlott lezárni, mielőtt a hűtőszekrénybe kerülnének.
- Az üvegpoclok felfelé vagy lefelé állíthatóak a megfelelő tárolóhely és a könnyű használat érdekében.

**Megjegyzés:** A túl sok élelmiszer bepakolása közvetlenül a bekapcsolás után lassítja a fűtés folyamatát. Ügyeljen rá, hogy a tárolt élelmiszerek ne zárják el a levegő kivezető nyílását, különben gyengül a készülék hatásfoka.

## Funkciók



### 1. Gombok

- A. Hőmérsékletbeállító gomb
- B. Készenléti állapot gomb

### 2. Hőmérséklet ikon

1. beállítás 8°C
2. beállítás 6°C
3. beállítás 4°C
4. beállítás 3°C
5. beállítás 2°C
6. beállítás: gyors hűtés

A kép csak illusztráció, a termék ettől eltérő lehet.

### 3. Amikor a hűtőszekrény bekapcsolva van:

A bekapcsolás után 3 másodpercen belül minden hőmérséklet ikon világít, első bekapcsoláskor az alapértelmezett beállított hőmérséklet 4°C.

Ezt követően minden alkalommal, amikor elindítja a hűtőszekrényt, az az utolsó kikapcsolás előtt beállított hőmérsékletnek megfelelően fog működni.

## Hibakódok

Hiba esetén a megfelelő ikonok kombináltan villognak: a hibakódok és típusok a következők szerint jelennek meg:

### Hűtőszekrény:


Hibakód	Hiba leírása	Kijelző
<b>E1</b>	Hőérzékelő meghibásodása	„SUPER cool” és „2” egyszerre világít
<b>E2</b>	A hűtőszekrény leolvasztó érzékelője meghibásodott	„SUPER cool” és „3” egyszerre világít
<b>E6</b>	Kommunikációs hiba	A „2” és „4” ikonok egyszerre világlítanak.
<b>E7</b>	Környezeti hőmérséklet-érzékelő hibája	„SUPER cool” és „4” egyszerre világít

Ha nincs hiba, a képernyőn megjelenik a hűtőszekrény helyiségének beállított hőmérséklete.

## Készletléti üzemmód

Nyomja meg hosszán a  gombot a készletléti üzemmódhoz (10 mp).

## Hőmérséklet beállítása

A hőmérséklet-beállítás a  gomb megnyomásával változik. Ezután a hűtőszekrény 15 másodperc múlva az új hőmérséklet-beállításnak megfelelően fog működni.



# A KÉSZÜLÉK KARBANTARTÁSA ÉS ÁPOLÁSA

## Tisztítás

- A hűtőszekrény mögötti és a földön lévő port időben takarítsa fel a hűtési hatás és az energiatakarékosság javítása érdekében.
- Rendszeresen ellenőrizze az ajtótmítést, hogy ne legyenek benne ételmaradványok. Tisztítsa meg az ajtótmítést szappanos vízzel vagy hígított mosószerrel megnedvesített puha ruhával.
- A hűtőszekrény belsejét rendszeresen tisztítani kell a szagok kialakulásának elkerülése érdekében.
- Kérjük, a belső tér tisztítása előtt kapcsolja ki a készüléket, távolítsa el az összes ételt, italt, polcot, fiókot stb.
- Egy puha ruhával vagy szivaccsal tisztítsa meg a hűtőszekrény belsejét, két evőkanál szóda-bikarbóna és egy liter meleg víz segítségével. Ezután öblítse le vízzel, és törölje tisztára. A tisztítás után nyissa ki az ajtót, és hagyja természetesen megszáradni, mielőtt bekapcsolja a készüléket.
- A hűtőszekrényben nehezen tisztítható területeket (például szűk illesztések, rések vagy sarkok) ajánlott rendszeresen áttörölni egy puha rongyal, puha kefével stb. és szükség esetén néhány segédeszközzel (például vékony pálcikával) kombinálva, hogy ezeken a területeken ne halmozódjanak fel szennyeződések vagy baktériumok.
- Ne használjon szappant, mosószert, súrolóport, tisztítóspray-t stb., mivel ezek kellemetlen szagokat hagynak maguk után a hűtőszekrény belsejében és beszennyezhetik az élelmiszereket is.
- Tisztítsa meg az üveg tartozékokat, a polcokat és a fiókokat szappanos vízzel vagy hígított mosószerrel megnedvesített puha ruhával. Törölje szárazra egy puha ruhával vagy szárítsa meg természetes úton.

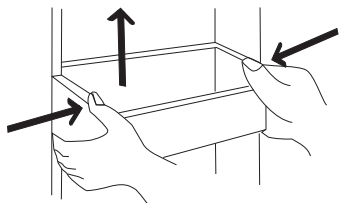
- Törölje át a hűtőszekrény külső felületét szappanos vízzel, mosószerrel stb. megnedvesített puha ruhával, majd törölje szárazra.
- Ne használjon kemény keféket, acélgyapotot, drótkeféket, csiszolóanyagokat, például fogkrémet, szerves oldószereket (például alkohol, aceton, stb.), forró vizet, savas vagy lúgos elemeket a hűtőszekrény tisztítására, tekintettel arra, hogy ez károsíthatja a hűtőszekrény felületét és belsejét. A forrásban lévő víz és a szerves oldószerek, mint például a benzol, deformálhatják vagy károsíthatják a műanyag alkatrészeket.
- Ne öblítse le közvetlenül vízzel vagy más folyadékkal a készüléket a tisztítás során, hogy ezzel elkerülje a rövidzárlatot.



Kérjük, leolvasztás és tisztítás idejére áramtalanítsa a hűtőszekrényt.

## Az ajtópolc, a gyümölcs- és zöldségdoboz és a fiók tisztítása

- Az alábbi ábrán látható irányban, a nyílnek megfelelően mindkét kezével szorítsa össze a polcot, és tolja felfelé.
- Miután kimosta a tálcát polcot, a beszerelési magasságot az Ön igényeinek megfelelően állíthatja be. A tisztításhoz vízbe mártott puha törülköző vagy szivacs és nem korrozív, semleges tisztítószerrel javasoltak. A fagyasztót végül tiszta vízzel és száraz ruhával kell megtisztítani. Nyissa ki az ajtót a természetes száradáshoz, mielőtt a készüléket bekapcsolja.  
Ne használjon kemény keféket, acélgyapotot, drótkeféket, csiszolóanyagokat, például fogkrémet, szerves oldószereket (például alkohol, aceton, stb.), forró vizet, savas vagy lúgos elemeket a hűtőszekrény tisztítására, tekintettel arra, hogy ez károsíthatja a hűtőszekrény felületét és belsejét.



A kép csak illusztráció, az Ön készüléke ettől eltérő lehet.

## Üvegpolc tisztítása

- Mivel a hűtőszekrény belésének legbelső része, ahol a polcokkal érintkezik, hátsó ütközővel rendelkezik, a polcokat előbb felfelé kell emelnie, majd ki tudja venni.
- Állítsa be vagy tisztítsa meg a polcokat az Ön igényei szerint.  
A tisztításhoz vízbe mártott puha törülköző vagy szivacs és nem korrozív, semleges tisztítószerrel javasoltak. A fagyasztót végül tiszta vízzel és száraz ruhával kell megtisztítani. Nyissa ki az ajtót, hogy használat előtt természetes úton kiszáradhasson.  
Ne használjon kemény keféket, acélgyapotot, drótkeféket, csiszolóanyagokat, például fogkrémet, szerves oldószereket (például alkohol, aceton, banánolaj stb.), forró vizet, savas vagy lúgos elemeket a hűtőszekrény tisztítására, tekintettel arra, hogy ez károsíthatja a hűtőszekrény felületét és belsejét.

## Leolvasztás

- A hűtőszekrény a léghűtés elve alapján működik, ezért automatikus leolvasztási funkcióval rendelkezik. Az évszak vagy a hőmérséklet változása miatt képződött jég kézzel is eltávolítható, miután áramtalanította a készüléket.

## Használaton kívül

- Áramkimaradás: A készülékben lévő ételek több órán át eltarthatók áramszünet esetén, még nyáron is; áramszünet idején az ajtónyitások számát csökkenteni kell, és a készülékbe nem szabad több friss élelmiszert betenni.
- Ha a készüléket hosszabb ideig nem használja, akkor áramtalanítsa, ürítse ki és tisztítsa meg. Az ajtót hagyja nyitva, hogy elkerülje a kellemetlen szagok kialakulását.
- Mozgatás esetén: az üveg tartozékokat, a zöldségtartót, a fagyasztó kamra fiókjait stb. szalaggal rögzítse, és csavarja be szintező lábakat. Zárja be az ajtókat, és rögzítse őket szalaggal. Mozgatás közben a készüléket nem szabad fejfelé vagy vízszintesen lefektetni, illetve rázni; a mozgás közbeni dőlés nem lehet 45°-nál nagyobb.



A készüléket a beüzemelését követően folyamatosan működtesse. A sűrű be- és kikapcsolás és áramtalanítás csökkenti az élettartamot.

## HIBAELHÁRÍTÁS

A következő egyszerű problémákat a felhasználó is kezelheti. Kérjük, hívja a szervizt, ha a ezek nem oldják meg a problémát.

A készülék nem működik	Ellenőrizze, hogy a készülék be van-e dugva és van-e áram. Alacsony feszültség. A hőmérsékletszabályozó gomb jól van-e beállítva. Tápellátás meghibásodása vagy kioldó áramkör.
Különös szagok	A szagos élelmiszereket szorosan be kell csomagolni. Akár rothadó élelmiszerek. Ellenőrizze, hogy a belsejét meg kell-e tisztítani?
A kompresszor hosszantartó működése	Normális, hogy a kompresszor hosszabb ideig működik nyáron, amikor a környezeti hőmérséklet magasabb. Ne tegyen egyszerre túl sok élelmiszert a fagyasztóba. Ne tegye be az élelmiszereket, amíg azok le nem hűlnek. A fagyasztó ajtajának gyakori kinyitása.
A világítás nem működik	Ellenőrizze, hogy a fagyasztó csatlakoztatva van-e a tápegységhez, vagy a lámpa nem sérült-e meg. Cseréltesse ki a lámpát szakemberrel.
A készülék ajtaja nem záródik megfelelően	Az ajtó elakadt az étel miatt A hűtőszekrény megdől.

Hangos üzemelés	Sík-e a padló, stabilan van-e elhelyezve a fagyasztó? Megfelelően vannak-e elhelyezve a fagyasztó tartozékai?
Az ajtószigetelés nem zár megfelelően	Távolítsa el az idegen anyagokat a gumitömítésből. Melegítse fel a szigetelést és igazítsa be megfelelően. A művelethez használjon egy hajszáritót, de vigyázzon, hogy nem melegítse túl!
A víztálca túlcsoordul	Túl sok élelmiszer van a rekeszekben, vagy a tárolt élelmiszer túl sok vizet tartalmaz, ami erős leolvasztást eredményez. Az ajtók nem záródnak megfelelően, ami jegesedéshez és a leolvasztás miatt megnövekedett vízmennyiséghez vezet.
Meleg készülékház	A beépített kondenzátor hőelvezetése a házon keresztül történik, ami normális. Ha a ház a magas környezeti hőmérséklet és a túl sok élelmiszer tárolása miatt felforrósodik, a hőelvezetés megkönnyítése érdekében ajánlott megfelelő szellőzésről gondoskodni.
Felületi páralecsapódás	A hűtőszekrény külső felületén és ajtótomítésein jelentkező páralecsapódás normális, ha a környezeti páratartalom túl magas. Csak törölje le a vizet egy tiszta törülközővel.
Rendellenes zaj	Zúgás: A kompresszor működés közben zúgó hangot adhat ki, ami különösen indításkor vagy leállításkor hangos. Ez normális. Nyikorgás: A készülék belsejében áramló hűtőközeg nyikorgó hangot hallat, ami normális.

# MĂSURI DE SIGURANȚĂ

## ATENȚIE:



**Atenție:** risc de incendiu/materiale inflamabile

## RECOMADĂRI:

- Acest aparat este destinat a fi utilizat în aplicații casnice și similare, cum ar fi zonele de bucătărie pentru personal în magazine, birouri și alte medii de lucru; fermelor și de către clienți în hoteluri, moteluri și alte medii de tip rezidențial; medii tip pensiune; catering și aplicații similare non-retail.
- Dacă cablul de alimentare este deteriorat, acesta trebuie înlocuit de către producător, agentul de service sau persoane calificate pentru a evita un pericol.
- Nu depozitați în acest aparat substanțe explozive, cum ar fi cutii de aerosoli cu un propulsor inflamabil.
- Aparatul trebuie scos din priză după utilizare și înainte de a efectua întreținerea aparatului.
- **AVERTISMENT:** Păstrați orificiile de ventilație, în carcasa aparatului sau în structura încorporată, fără obstacole.
- **AVERTISMENT:** Nu folosiți dispozitive mecanice sau alte mijloace pentru a accelera dezghețarea, altele decât cele recomandate de producător.
- **AVERTISMENT:** Nu deteriorați circuitul de agent frigorific.
- **AVERTISMENT:** Nu folosiți aparate electrice în interiorul compartimentelor de depozitare a alimentelor ale aparatului, decât dacă sunt de tipul recomandat de producător.
- **AVERTISMENT:** Vă rugăm să eliminați aparatul conform autorităților locale de reglementare, deoarece utilizează gaz inflamabil și agent frigorific.
- **AVERTISMENT:** Când poziționați aparatul, asigurați-vă că cablul de alimentare nu este prins sau deteriorat.
- **AVERTISMENT:** Nu localizați mai multe prize portabile sau surse de alimentare portabile în partea din spate a aparatului.
- Nu utilizați prelungitoare sau adaptoare fără împământare (cu două pini).
- **PERICOL:** Risc de blocare a copiilor.
- Înainte de a arunca aparatul:
  - Scoateți ușile.
  - Lăsați rafturile la locul lor, astfel încât copiii să nu se urce cu ușurință înăuntru.
- Aparatul trebuie deconectat de la sursa de alimentare electrică înainte de a încerca instalarea accesoriului.
- Refrigerantul și materialul spumant de ciclopentan utilizat pentru frigider sunt inflamabile. De aceea, atunci când frigiderul este casat, acesta trebuie ținut departe de orice sursă de foc și recuperat de o firmă de recuperare cu calificare corespunzătoare, să nu fie eliminat prin ardere, astfel încât pentru a preveni deteriorarea mediului sau orice alte daune.
- Pentru standardul EN: Acest aparat poate fi folosit de copii cu vârsta de la 8 ani și peste și de persoane cu capacități fizice senzoriale sau mentale reduse sau cu lipsă de experiență și cunoștințe, dacă au primit supraveghere sau instrucțiuni privind utilizarea aparatului într-un mod sigur și înțeleg pericolele implicate. Copiii nu se vor juca cu aparatul. Curățarea și întreținerea utilizatorului nu trebuie efectuate de copii fără supraveghere. Copiii cu vârsta cuprinsă între 3 și 8 ani au voie să încarce și să descarce aparatele frigorifice.
- Pentru standardul IEC: Acest aparat nu este destinat utilizării de către persoane (inclusiv copii) cu capacități fizice, senzoriale sau mentale reduse sau cu lipsă de experiență și cunoștințe, cu excepția cazului în care acestea au fost supravegheate sau instruite cu privire la utilizarea aparatului de către o persoană responsabil pentru siguranța lor.)
- Copiii trebuie supravegheați pentru a se asigura că nu se joacă cu aparatul.
- Instrucțiunile trebuie să includă următoarele: Pentru a evita contaminarea alimentelor, vă rugăm să respectați următoarele instrucțiuni:
  - Deschiderea ușii pentru perioade lungi de timp poate provoca o creștere semnificativă a temperaturii în compartimentele aparatului.
  - Curățați în mod regulat suprafețele care pot intra în contact cu alimentele și sistemele de drenaj accesibile.
  - Curățați rezervoarele de apă dacă nu au fost folosite timp de 48 de ore; spălați sistemul de apă conectat la o sursă de apă dacă apa nu a fost extrasă timp de 5 zile. (nota 1)
  - Păstrați carnea și peștele crud în recipiente adecvate în frigider, astfel încât să nu intre în contact cu alte alimente sau să picure peste acestea.
  - Compartimentele pentru alimente congelate cu două stele (❄ ❄) sunt potrivite pentru depozitarea alimentelor precongelate, depozitarea sau prepararea înghețatei și prepararea cuburilor de gheață. (nota 2)
  - Compartimentele cu una (❄), două (❄ ❄) și trei stele nu sunt (❄ ❄ ❄) potrivite pentru congelarea alimentelor proaspete. (nota 3)
  - Dacă aparatul frigorific este lăsat gol pentru perioade lungi de timp, opriți, dezghețați, curățați, uscați și lăsați ușa deschisă pentru a preveni formarea mucegaiului în interiorul aparatului.

Notă 1, 2, 3: Vă rugăm să confirmați dacă este este aplicabil în funcție de tipul de compartiment al produsului dumneavoastră.

## Sensul simbolurilor de avertizare



Acesta este un simbol de interdicție. Orice nerespectare a instrucțiunilor marcate cu acest simbol poate duce la deteriorarea produsului sau poate pune în pericol siguranța personală a utilizatorului.



Acesta este un simbol de avertizare. Este necesar să se opereze cu respectarea strictă a instrucțiunilor marcate cu acest simbol; sau în alt mod poate fi cauzată deteriorarea produsului sau vătămări corporale.



Acesta este un simbol de avertizare. Instrucțiunile marcate cu acest simbol necesită o atenție specială. Atenția insuficientă poate duce la răniiri ușoare sau moderate sau deteriorarea produsului.

Acest manual conține măsuri de siguranță, care trebuie respectate de către utilizator.

## Avertizări referitoare la alimentarea electrică

- Nu trageți de cablul de alimentare când trageți de ștecherul frigiderului. Vă rugăm țineți ferm ștecherul și să-l scoateți direct din priză.
- Pentru a asigura o utilizare în siguranță, nu deteriorați cablul de alimentare și nu utilizați cablul de alimentare atunci când este deteriorat sau uzat.
- Vă rugăm să utilizați o priză de alimentare dedicată, iar priza de alimentare nu trebuie să fie partajată cu alte aparate electrice. Ștecherul de alimentare trebuie să fie în contact ferm cu priza, altfel ar putea fi provocate incendii.
- Vă rugăm să vă asigurați că electrodul de împământare al prizei de alimentare este echipat cu o linie de împământare fiabilă.
- Vă rugăm să închideți robinetul de scurgere a gazului și apoi deschideți ușile și ferestrele în caz de scurgere de gaz și alte gaze inflamabile. Nu deconectați frigiderul și alte aparate electrice, având în vedere că scântea poate provoca un incendiu.
- Nu folosiți aparate electrice pe partea superioară a aparatului, decât dacă sunt de tipul recomandat de producător.

## Avertizări privind utilizarea

- Nu dezamblați sau reconstruiți în mod arbitrar frigiderul și nici nu deteriorați circuitul de agent frigorific; întreținerea aparatului trebuie efectuată de un specialist.
- Cablul de alimentare deteriorat trebuie înlocuit de către producător, departamentul de întreținere sau profesioniști pentru a evita pericolul.
- Decalajele dintre ușile frigiderului și dintre uși și corpul frigiderului sunt mici, nu puneți mâna în aceste zone pentru a preveni rănirea degetului. Vă rugăm să fiți atenți când deschideți ușa frigiderului pentru a evita căderea articolelor.
- Nu ridicați alimente sau recipiente cu mâinile ude în camera de congelare când frigiderul funcționează, în special recipiente metalice pentru a evita degerăturile.
- Nu permiteți niciunui copil să intre sau să se urce în frigider; în caz contrar, poate fi provocată rănirea copilului prin sufocare sau cădere.
- Nu așezați obiecte grele pe partea superioară a frigiderului, având în vedere că obiectivele pot cădea atunci când închideți sau deschideți ușa și pot fi provocate răni accidentale.
- Vă rugăm să scoateți ștecherul în caz de pană de curent sau de curățare. Nu conectați congelatorul la sursa de alimentare în decurs de cinci minute pentru a preveni deteriorarea compresorului din cauza pornirilor succesive.

## Avertizări privind înlocuirea

- Nu introduceți articole inflamabile, explozive, volatile și foarte corozive în frigider pentru a preveni deteriorarea produsului sau accidente de incendiu.
- Nu așezați articole inflamabile în apropierea frigiderului pentru a evita incendiile.
- Frigiderul este destinat uzului casnic, cum ar fi depozitarea alimentelor; nu va fi utilizat în alte scopuri, cum ar fi depozitarea sângelui, a medicamentelor sau a produselor biologice etc.
- Nu depozitați berea, băutura sau alte lichide în sticle sau recipiente închise în camera de congelare a frigiderului; în caz contrar, sticlele sau recipientele închise se pot crăpa din cauza înghețului pentru a provoca daune.

## Avertizări privind energia

1. Este posibil ca aparatele frigorifice să nu funcționeze în mod constant (posibilitatea dezghețării conținutului sau temperatura să devină prea caldă în compartimentul pentru alimente congelate) atunci când sunt amplasate pentru o perioadă lungă de timp sub limita rece a intervalului de temperaturi pentru care este proiectat aparatul frigorific.
2. Băuturile efervescente nu trebuie depozitate în compartimente sau dulapuri congelatoare pentru alimente sau în compartimente sau dulapuri cu temperatură scăzută și că unele produse precum gheața nu trebuie consumate prea reci;
3. Necesitatea de a nu depăși timpul de depozitare recomandat de producătorii de alimente pentru orice fel de alimente și în special pentru alimente congelate rapid din comerț în compartimente sau dulapuri de depozitare a alimentelor congelate;
4. Măsurile de precauție necesare pentru a preveni o creștere nejustificată a temperaturii alimentelor congelate în timpul dezghețării aparatului frigorific, cum ar fi ambalarea alimentelor congelate în multe straturi de ziar.
5. Faptul ca o creștere a temperaturii alimentelor congelate in timpul dezghețării manuale, întreținerii sau curățării ar putea scurta durata de viață.
6. În cazul ușilor sau al capacelor prevăzute cu încuietori și chei, acestea trebuie să fie ținute departe de accesul copiilor și nu în apropierea aparatului frigorific, pentru a preveni blocarea copiilor în interior.

## Recomandări pentru eliminare



Refrigerantul și materialul spumant ciclopentan utilizat pentru frigider sunt inflamabile. Prin urmare, atunci când frigiderul este răzuit, acesta trebuie ținut departe de orice sursă de foc și recuperat de către o firmă de recuperare cu calificare corespunzătoare, nu eliminate prin ardere, astfel încât să se prevină deteriorarea mediului sau orice alte daune.



Când frigiderul este răzuit, dezasamblați ușile și îndepărtați garnitura ușii și a raftului; puneți ușile și rafturile într-un loc corespunzător, astfel încât să preveniți blocarea copiilor.



Eliminarea corectă a acestui produs:

Acest marcaj indică faptul că acest produs nu trebuie aruncat împreună cu alte deșeuri menajere în întreaga UE. Pentru a preveni posibilele daune aduse mediului sau sănătății umane prin eliminarea necontrolată a deșeurilor, reciclați-le în mod responsabil pentru a promova reutilizarea durabilă a resurselor materiale. Pentru a returna dispozitivul folosit, vă rugăm să utilizați sistemele de returnare și colectare sau contactați comerciantul de unde a fost achiziționat produsul. Ei pot lua acest produs pentru reciclare sigură pentru mediu.



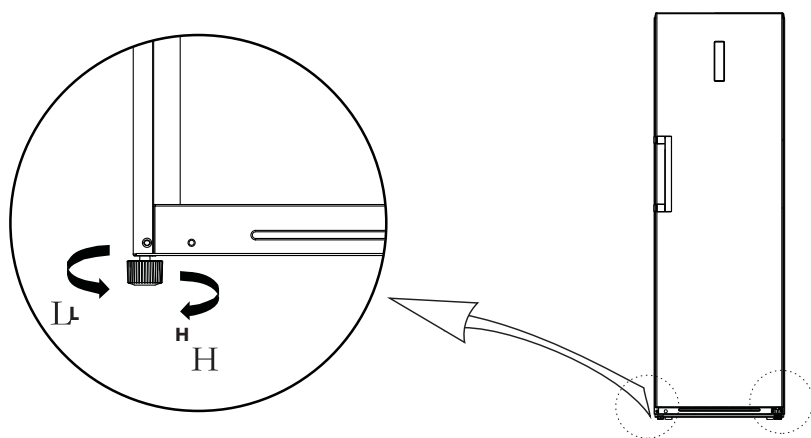
# UTILIZAREA CORECTĂ A FRIGIDERULUI

## Așezare

- Înainte de utilizare, îndepărtați toate ambalajele, inclusiv pernele inferioare, tampoanele de spumă și benzile din interiorul frigiderului; rupeți folia de protecție de pe uși și corpul frigiderului.
- Țineți departe de căldură și evitați lumina directă a soarelui. Nu așezați congelatorul în locuri umede sau apoase pentru a preveni rugină sau reducerea efectului de izolare.
- Nu pulverizați sau spălați frigiderul; nu puneți frigiderul în locuri umede ușor de stropit cu apă pentru a nu afecta proprietățile de izolare electrică ale frigiderului.
- Frigiderul se așează într-un loc interior bine ventilat; solul trebuie să fie plat și solid (roțiți-vă la stânga sau la dreapta pentru a regla roata pentru nivelare dacă este instabilă).
- Spațiul superior al frigiderului trebuie să fie mai mare de 30 cm, iar frigiderul trebuie așezat pe un perete cu o distanță liberă mai mare de 10 cm pentru a facilita disiparea căldurii.

## Nivelarea picioarelor

1. Precauții înainte de utilizare: Înainte de punerea în funcțiune a accesoriilor, trebuie să vă asigurați că frigiderul este deconectat de la curent. Înainte de reglarea picioarelor de nivelare, trebuie luate măsuri de precauție pentru a preveni orice vătămare corporală.
2. Schema schematică a picioarelor de nivelare

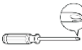





Poza de mai sus este doar pentru referință. Configurația reală va depinde de produsul fizic sau de declarația distribuitorului.

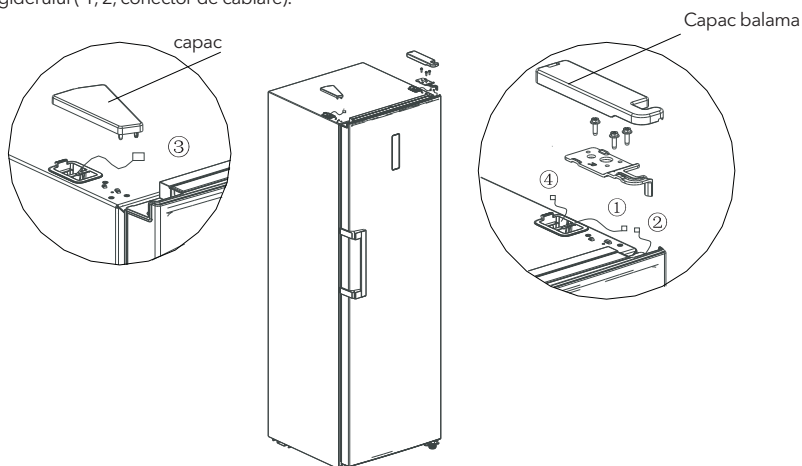
### 3. Proceduri de ajustare:

- a. Rotiți picioarele în sensul acelor de ceasornic pentru a ridica frigiderul;
- b. Rotiți picioarele în sens invers acelor de ceasornic pentru a coborî frigiderul;
- c. Reglați picioarele drepte și stângi pe baza procedurilor de mai sus la un nivel orizontal.

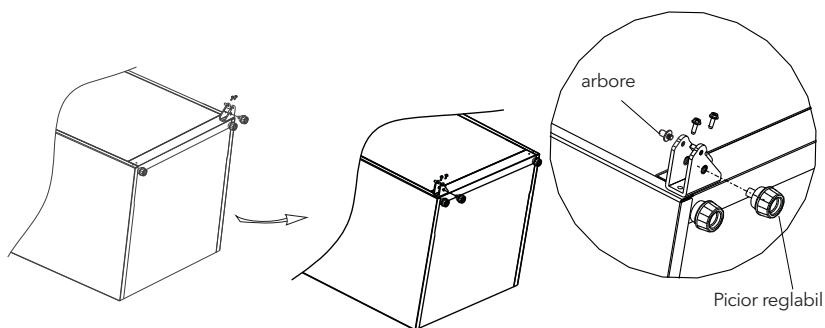
## 2.4 Mutarea ușii stânga-dreapta (opțional)

Sculele vor fi asigurate de către utilizator.			
	Șurubelniță în cruce		Șpaclu Șurubelniță cu lamă subțire
	5/16" Priză și rachetă		Bandă adezivă

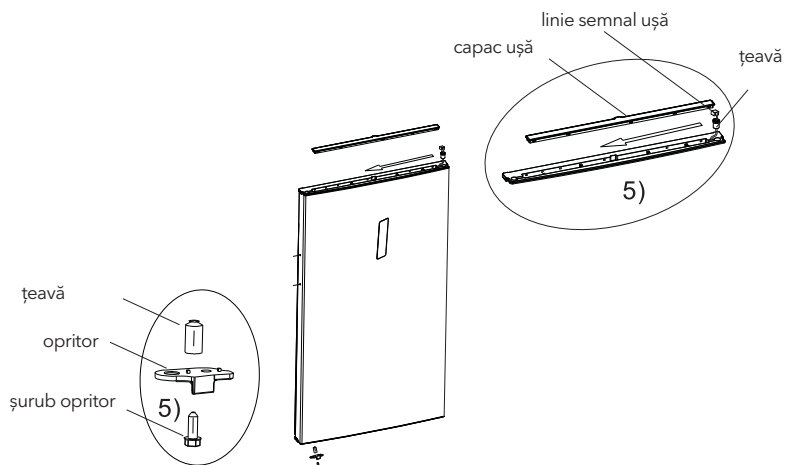
1. Oprțiți frigiderul și îndepărtați toate obiectele din sertarele ușii.
2. Demontați capacele orificiilor pentru șuruburi, șuruburile și mânerul și îndepărtați capacele din plastic ale orificiilor pentru șuruburi de pe cealaltă parte. Consultați capitolul 2.2.
3. Demontați capacul balamalei superioare, șuruburile și balamaua superioară și scoateți capacul orificiului de pe cealaltă parte. Deconectați conectorul de cablare din partea dreaptă a superioară a frigiderului ( 1, 2, conector de cablare).



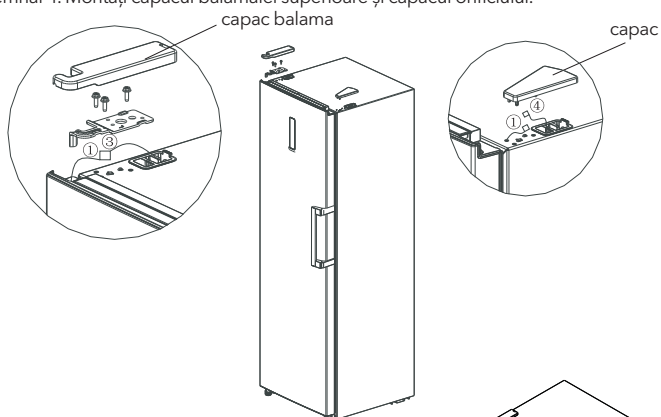
4. Demontați ușa și ansamblul balamalei inferioare din dreapta (arborele balamalei și piciorul reglabil și balamaua) și asamblați arborele balamalei și piciorul reglabil pe cealaltă parte a balamalei, apoi asamblați întregul ansamblu balamale pe cealaltă parte a frigiderului.



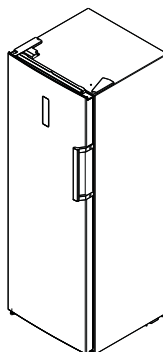
5. Îndepărtați capacul capătului ușii, instalați manșonul balamalei superioare și linia de semnalizare a ușii pe cealaltă parte și instalați capacul capătului ușii. Demontați opritorul ușii, țevă de manșon din partea dreaptă inferioară a ușii, introduceți țevă de mâneacă în orificiul balamalei din partea inferioară din stânga a ușii, asamblați opritorul ușii în partea de jos stânga a ușii.



6. Scoateți balamaua superioară stângă, capacul balamalei superioare stânga din pachetul de accesorii, așezați ușa pe balamaua inferioară și montați balamaua superioară stângă. Conectați borna de linie de semnal 3. cu terminalul de linie de semnal 2. conectați terminalul de linie de semnal 1. cu terminalul de linie de semnal 4. Montați capacul balamalei superioare și capacul orificiului.

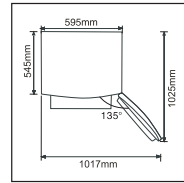


7. Pentru montarea mânerului, vă rugăm să consultați capitolul 2.2.



## Utilizare

- Înainte de pornirea inițială, lăsați frigiderul nemișcat o jumătate de oră înainte de a-l conecta la sursa de alimentare.
- Înainte de a pune alimente proaspete sau congelate, frigiderul trebuie să funcționeze timp de 2-3 ore sau mai mult de 4 ore vara când temperatura ambientală este ridicată.
- Spațiu suficient pentru deschiderea convenabilă a ușilor și a sertarelor.
- Imaginea de mai sus este doar pentru referință. Configurația reală va depinde de produsul fizic sau de declarația distribuitorului.

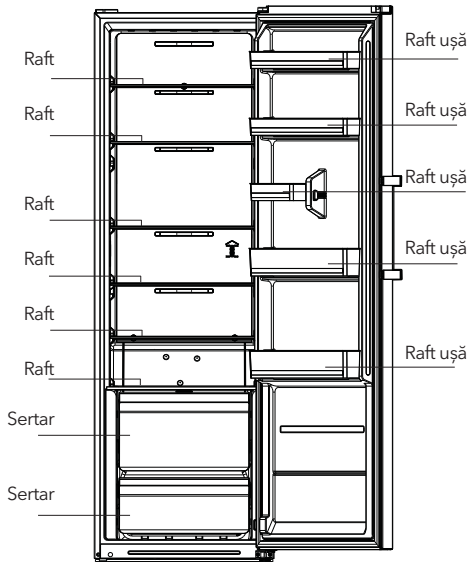


## Recomandări pentru economisirea energiei

- Aparatul trebuie amplasat în cea mai răcoasă zonă a încăperii, departe de aparatele care produc căldură sau de conductele de încălzire și ferit de lumina directă a soarelui.
- Lăsați alimentele fierbinți să se răcească la temperatura camerei înainte de a le introduce în aparat. Supraîncărcarea aparatului forțează compresorul să funcționeze mai mult. Alimentele care îngheață prea încet pot pierde calitatea sau se pot strica.
- Asigurați-vă că împachetați alimentele în mod corespunzător și ștergeți recipientele înainte de a le introduce în aparat. Acest lucru reduce acumularea de îngheț în interiorul aparatului.
- Recipientul de depozitare a aparatului nu trebuie acoperit cu folie de aluminiu, hârtie sau prosoape de hârtie. Căptușelile interferează cu circulația aerului rece, făcând aparatul mai puțin eficient.
- Organizați și etichetați alimentele pentru a reduce deschiderile ușilor și căutărilor extinse. Scoateți cât mai multe articole necesare simultan și închideți ușa cât mai curând posibil.

## STRUCTURĂ ȘI FUNCȚII

### Componente-cheie



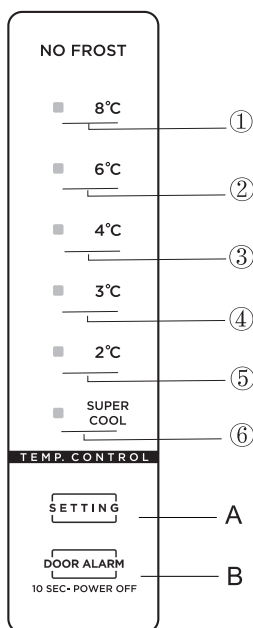
Imaginea de mai sus este doar pentru referință. Configurația reală va depinde de produsul fizic sau de declarația distribuitorului.

### Camera frigorifică

- Camera frigorifică este potrivită pentru depozitarea unei varietăți de fructe, legume, băuturi și alte alimente consumate pe termen scurt.
- Alimentele de gătit nu trebuie introduse în camera frigorifică până când nu se răcesc la temperatura camerei.
- Alimentele se recomandă să fie sigilate înainte de a le pune în frigider.
- Rafturile din sticlă pot fi reglate în sus sau în jos pentru un spațiu corespunzător de depozitare și o utilizare ușoară.

**Notă:** Depozitarea prea multă alimente în timpul funcționării după conectarea inițială la alimentare poate afecta negativ efectul de îngheț al frigiderului. Alimentele depozitate nu trebuie să blocheze orificiul de evacuare a aerului; sau altfel efectul de îngheț va fi de asemenea afectat negativ.

## Funcții



### 1. Taste

- Buton setare temperatură
- Buton Standby

### 2. Pictogramă temperatură

- Setarea 1: setarea temperaturii este 8°C
- Setarea 2: setarea temperaturii este 6°C
- Setarea 2: setarea temperaturii este 4°C
- Setarea 2: setarea temperaturii este 3°C
- Setarea 2: setarea temperaturii este 2°C
- Setarea 2: Super cool

Imaginea de mai sus este doar pentru referință. Configurația reală va depinde de produsul fizic sau de declarația distribuitorului.

### 3. Când frigiderul este pornit:

Toate pictogramele de temperatură luminează în decurs de 3 secunde de la pornire, pentru prima pornire, temperatura setată implicit este de 4°C.

După aceea, de fiecare dată când pornești frigiderul, acesta va funcționa în conformitate cu temperatura setată înainte de ultima oprire.

## Afișarea funcționării normale

La apariția unei defecțiuni, pictogramele corespunzătoare vor da o clipire combinată: codurile și tipurile de eroare sunt afișate după cum urmează:

### Frigider

Cod eroare	Descriere eroare	Afișaj
<b>E1</b>	Senzorul de temperatură al camerei frigiderului este defect.	Pictograma „SUPER COOL” & Pictograma ”2” se aprind în același timp.
<b>E2</b>	Senzorul de dezghețare al camerei frigiderului este defect.	Pictograma „SUPER COOL” & Pictograma ”3” se aprind în același timp.
<b>E6</b>	Eroare de comunicare	Pictograma ”2” & Pictograma ”4” se aprind în același timp.
<b>E7</b>	Eroare senzor de temperatură ambientală	Pictograma „SUPER COOL” & Pictograma ”4” se aprind în același timp.

Dacă nu există nicio eroare, ecranul afișează temperatura setată a camerei frigiderului.

## Funcția Standby

Mențineți apăsat butonul standby  10 secunde pentru a seta funcția standby.

## Setarea temperaturii

Temperatura se va schimba dacă apăsați butonul . Apoi, frigiderul va funcționa la temperatura setată după 15s.



## ÎNTREȚINERE

### Curățare generală

- Praful din spatele frigiderului și de pe sol trebuie curățat în timp util pentru a îmbunătăți efectul de răcire și a economisi energie.
- Verificați în mod regulat garnitura ușii pentru a vă asigura că nu există resturi. Curățați garnitura ușii cu o cârpă moale umezită cu apă cu săpun sau detergent diluat.
- Interiorul frigiderului trebuie curățat regulat pentru a evita mirosul.
- Vă rugăm să opriți alimentarea înainte de a curăța interiorul, îndepărtați toate alimentele, băuturile, rafturile, sertarele etc.
- Folosiți o cârpă moale sau un burete pentru a curăța interiorul frigiderului, cu două linguri de bicarbonat de sodiu și un litru de apă caldă. Apoi clătiți cu apă și ștergeți. După curățare, deschideți ușa și lăsați-o să se usuce natural înainte de a porni.
- Pentru zonele greu de curățat în frigider (cum ar fi porțiuni înguste, goluri sau colțuri), se recomandă să le ștergeți în mod regulat cu o cârpă moale, perie moale etc. și atunci când este necesar, combinate cu unele unelte auxiliare (cum ar fi ca bețisoare subțiri) pentru a asigura nicio acumulare de contaminanți sau bacterii în aceste zone.
- Nu folosiți săpun, detergent, praf pentru spălat, spray de curățat etc., deoarece acestea pot provoca mirosuri în interiorul frigiderului sau alimente contaminate.
- Curățați cadrul sticlei, rafturile și sertarele cu o cârpă moale umezită cu apă cu săpun sau detergent diluat. Uscați cu o cârpă moale sau uscați în mod natural.

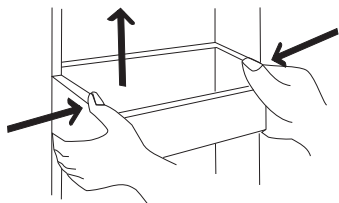
- Ștergeți suprafața exterioră a frigiderului cu o cârpă moale umezită cu apă cu săpun, detergent etc., apoi ștergeți-l.
- Nu utilizați perii dure, bile de oțel, perii de sârmă, abrazive (cum ar fi paste de dinți), solvenți organici (cum ar fi alcool, acetonă, ulei de banane etc.), apă clocotită, articole acide sau alcaline, care pot deteriora frigiderul, suprafața și interiorul. Apa clocotită și solvenții organici, cum ar fi benzenul, pot deforma sau deteriora piesele din plastic.
- Nu clătiți direct cu apă sau alte lichide în timpul curățării pentru a evita scurtcircuitul sau pentru a afecta izolația electrică după imersare.



Deconectați de la priză pentru dezghețare și curățare.

## Curățarea rafturilor de pe ușă, a cutiei pentru fructe și legume

- Conform săgeții de direcție din figura de mai jos, folosiți ambele mâini pentru a strânge tava și împingeți-o în sus, apoi o puteți scoate.
- După ce ați spălat tava scoasă, puteți regla înălțimea de instalare a acesteia în funcție de cerințele dumneavoastră. Pentru curățare se recomandă prosoape moi sau burete înmuiat în apă și detergenți neutri non-corozivi. Congelatorul va fi curățat cu apă curată și cârpă uscată. Deschideți ușa pentru uscare naturală înainte de a porni alimentarea. Nu folosiți perii dure, bile de oțel, perii de sârmă, abrazivi, cum ar fi paste de dinți, solvenți organici (cum ar fi alcool, acetonă, ulei de banane etc.), apă clocotită, articole acide sau alcaline, curățați frigiderul, având în vedere că acest lucru poate deteriora suprafața și interiorul frigiderului.



Imaginea de mai sus este doar pentru referință. Configurația reală va depinde de produsul fizic sau de declarația distribuitorului.

## Curățarea rafturilor din sticlă

- Deoarece partea cea mai interioară a căptușelii frigiderului în care contactul cu rafturile are un dispozitiv de blocare, trebuie să ridicați rafturile în sus, apoi îl puteți scoate.
- Reglați sau curățați rafturile conform cerințelor dumneavoastră. Pentru curățare se recomandă prosoape moi sau burete înmuiat în apă și detergenți neutri non-corozivi. În cele din urmă, congelatorul va fi curățat cu apă curată și cârpă uscată. Deschideți ușa pentru uscare naturală înainte de a porni alimentarea. Nu folosiți perii dure, bile de oțel, perii de sârmă, abrazivi, cum ar fi paste de dinți, solvenți organici (cum ar fi alcool, acetonă, ulei de banane etc.), apă clocotită, articole acide sau alcaline, curățați frigiderul, având în vedere că acest lucru poate deteriora suprafața și interiorul frigiderului.

## Dezghetare

- Frigiderul este realizat pe principiul răcirii cu aer și astfel are funcție de dezghetare automată. Înghețul format din cauza schimbării sezonului sau a temperaturii poate fi îndepărtat și manual prin deconectarea aparatului de la sursa de alimentare sau prin ștergere cu un prosop uscat.

## Nefuncționare

- Pana de curent: În caz de pană de curent, chiar dacă este vară, alimentele din interiorul aparatului pot fi păstrate câteva ore; în timpul căderii de curent, timpul de deschidere a ușii va fi redus și nu se vor mai introduce alimente proaspete în aparat.
- Neutilizare îndelungată: Aparatul trebuie scos din priză și apoi curățat; apoi ușile vor fi lăsate deschise pentru a preveni mirosul.
- Mutare: Înainte de mutarea frigiderului, scoateți toate obiectele, fixați pereții despărțitori de sticlă, suportul pentru legume, sertarele camerei de congelare etc. cu bandă adezivă și strângeți picioarele de nivelare; închideți ușile și fixați-le cu bandă adezivă. În timpul deplasării, aparatul nu trebuie așezat cu capul în jos sau orizontal și nici să fie vibrat; înclinarea în timpul mișcării nu trebuie să fie mai mare de 45°.



Aparatul va funcționa continuu odată ce este pornit. În general, funcționarea aparatului nu trebuie întreruptă; în caz contrar, durata de viață poate fi afectată.

## DEPANARE

Puteți încerca să rezolvați singur următoarele probleme simple.

Dacă acestea nu pot fi rezolvate, vă rugăm să contactați departamentul post-vânzare.

Nefuncționare	Verificați dacă aparatul este conectat la curent sau dacă ștecherul este bine în contact Verificați dacă tensiunea este prea scăzută Verificați dacă există o întrerupere a curentului sau s-au declanșat circuite parțiale
Miros	Alimentele mirositoare trebuie să fie etanș împachetate Verificați dacă există alimente stricte Curățați interiorul frigiderului
Funcționare îndelungată a compresorului	Funcționarea îndelungată a frigiderului este normală vara când temperatura ambientală este ridicată Nu este recomandat să aveți prea multă mâncare în aparat în același timp Mâncarea se va răci înainte de a fi introdusă în aparat. Ușile sunt deschise prea des
Becurile nu se aprind	Verificați dacă frigiderul este conectat la sursa de alimentare și dacă lumina de iluminare este deteriorată
Ușile nu se închid rapid	Ușa este blocată de pachetele alimentare. Frigiderul este înclinat
Zgomot	Verificați dacă podeaua este nivelată și dacă frigiderul este așezat stabil Verificați dacă accesoriile sunt amplasate în locuri adecvate
Garnitura ușii nu se închide	Îndepărtați corpurile străine de pe garnitura ușii Încălziți garnitura ușii și apoi răciți-o pentru restaurare (sau suflați-l cu un uscător electric sau folosiți un prosop fierbinte pentru încălzire)
Containerul de apă este plin	Există prea multă mâncare în cameră sau alimentele depozitate conțin prea multă apă, ceea ce duce la o dezghetare puternică Ușile nu sunt închise corespunzător, rezultând îngheț din cauza intrării de aer și creșterea apei din cauza dezghetului



Carcasă fierbinte	Disiparea căldurii condensatorului încorporat prin carcasă, ceea ce este normal. Când carcasa devine fierbinte din cauza temperaturii ambientale ridicate și a depozitării prea multor alimente, se recomandă asigurarea unei ventilații sonore pentru a facilita disiparea căldurii.
Consens pe suprafață	Condensul pe suprafața exterioară și pe garniturile ușilor frigiderului este normal când umiditatea ambientală este prea mare. Doar ștergeți condensul cu un prosop curat.
Zgomot anormal	Băzâit: compresorul poate produce zgomot în timpul funcționării, iar zgomotul: sunt puternic, în special la pornire sau oprire. Asta este normal. Scârțâit: agentul frigorific care curge în interiorul aparatului poate produce scârțâit, ceea ce este normal.

# OPOZORILA GLEDE VARNOSTI

## OPOZORILO:



**Opozorilo:** tveganje požara/vnetljive snovi

## PRIPOROČILA:

- Ta gospodinjski aparat je predviden za uporabo v gospodinjstvu in temu podobnih okoljih, kot so kuhinje za osebje v trgovinah, pisarnah in drugih delovnih okoljih, kmetije ter hoteli, moteli in nastanitve drugih vrst, v katerih je ta aparat na voljo gostom, nastanitve z nočitvijo in zajtrkom ter catering in podobni načini uporabe, ki niso namenjeni prodaji.
  - Če je napajalni kabel poškodovan, ga mora zaradi preprečevanja nevarnosti zamenjati proizvajalec, proizvajalčev pooblaščen servisler ali podobno usposobljena oseba.
  - V tem gospodinjstem aparatu ne shranjujte eksplozivnih snovi, kot so aerosolne pločevinke z vnetljivim potisnim plinom.
  - Ko uporabnik neha uporabljati gospodinjski aparat in preden opravi njegovo vzdrževanje, ga mora odklopiti z napajanja.
  - **OPOZORILO:** Poskrbite, da odprtine za prezračevanje v okrovu aparata ali v vgrajeni strukturi ne bodo zamašene.
  - **OPOZORILO:** Odtaljevanja ne poskušajte pospeševati z mehanskimi napravami ali z drugimi sredstvi, razen s tistimi, ki jih priporoča proizvajalec.
  - **OPOZORILO:** Ne poškodujte krogotoka hladilnega sredstva.
  - **OPOZORILO:** V predelkih za shranjevanje živil ne uporabljajte električnih naprav, razen če so takšne vrste, ki jo priporoča proizvajalec.
  - **OPOZORILO:** Aparat odstranite v skladu z lokalnimi predpisi, saj so za njegovo delovanje uporabljeni vnetljivi eksplozivni plini in hladilna tekočina.
  - **OPOZORILO:** Pri nameščanju aparata poskrbite, da napajalni kabel ne bo zagozden ali poškodovan.
  - **OPOZORILO:** Na zadnji strani aparata ne nameščajte prenosnih električnih razdelilnikov z več vtičnicami ali prenosnih napajalnikov.
  - Ne uporabljajte podaljševalnih kablov ali neozemljenih adapterjev (z dvema poloma).
  - **NEVARNOST:** Obstaja tveganje za zaprtje otroka v notranjost aparata. Preden aparat odvržete:
    - Snemite vrata.
    - Police pustite znotraj aparata, tako da otroci ne bodo mogli zlahka splezati vanj.
  - Preden poskušate namestiti dodatno opremo, morate aparat odklopiti z vira električnega napajanja.
  - Hladilna tekočina in penasta snov ciklopentan, ki se uporabljata pri hladilniku, sta vnetljivi. Zato je treba pri uničevanju poskrbeti, da hladilnik ni v bližini nobenega vira ognja in da ni odstranjen s sežiganjem, ampak ga predela posebno podjetje za predelavo, ki ima ustrezne kvalifikacije, tako da ne pride škode za okolje ali kakršne koli druge škode.
  - Pri standardu EN: Ta aparat lahko uporabljajo otroci, stari 8 in več let, ter osebe s telesnimi, senzoričnimi ali duševnimi okvarami ali pa osebe brez izkušenj in znanja, če so pod nadzorom ali pa so jim bila podana navodila za varno uporabo aparata in če razumejo nevarnosti, povezane z njegovo uporabo. Otroci se z aparatom ne smejo igrati. Brez nadzora otroci aparata ne smejo čistiti in ga vzdrževati. Otrokom, stari od 3 do 8 let, je v hladilne aparate dovoljeno dajati živila in jih jemati iz njih.
  - Pri standardu IEC: Ta aparat ni namenjen osebam (vključno z otroki) s telesnimi, senzoričnimi ali duševnimi okvarami ali pa osebam brez izkušenj in znanja, razen če so pod nadzorom osebe, ki je odgovorna za njihovo varnost, ali pa jim je ta oseba podala navodila za uporabo aparata.
  - Da se otroci zagotovo ne bodo igrali z aparatom, jih je treba nadzorovati.
  - V navodilih mora biti podano bistvo naslednjega: da preprečite onesnaženje živil, upoštevajte naslednja navodila:
    - Če vrata dlje časa pustite odprta, se temperatura v predelkih aparata lahko precej zviša.
    - Redno čistite površine, ki so v stiku z živilii, in dostopne odvodne sisteme.
    - Če posod za vodo 48 ur niste uporabljali, jih očistite; če iz aparata 5 dni niste jemali vode, sperite sistem za vodo, priključen na dovod vode. (Opomba 1.)
    - Surovo meso in ribe v hladilniku shranjujte v primernih posodah, tako da ta živila ne pridejo v stik z drugimi ali da z njih ne kaplja na druga živila.
    - Predelki za zamrznjena živila, označeni z dvema zvezdicama [x x] so primerni za shranjevanje predhodno zamrznjenih živil, shranjevanje ali izdelovanje sladoleda in izdelovanje ledenih kock. (opomba 2)
    - Predelki, označeni z eno [x], dvema [x x] in tremi [x x x] zvezdicami, niso primerni za zamrzovanje svežih živil. (Opomba 3.)
    - Če je bil hladilni aparat dlje časa prazen, ga izklopite, odtalite, očistite in osušite, nato pa vrata pustite odprta, da preprečite nastajanje plesni v njem.
- Opomba 1, 2, 3: preverite, ali se nanaša na vrsto predelka v vašem izdelku.

## Pomen simbolov opozoril glede varnosti



To je simbol prepovedi. Če se pojavi kakršna koli neskladnost z navodili, ki so označena s tem simbolom, se lahko izdelek poškoduje ali pa je ogrožena uporabnikova lastna varnost.



To je simbol opozorila. Delovanje mora biti strogo v skladu z navodili, ki so označena s tem simbolom, sicer se lahko izdelek poškoduje ali pa je ogrožena uporabnikova lastna varnost.



To je simbol svarila. Pri navodilih, označenih s tem simbolom, je potrebna posebna previdnost. Zaradi neprevidnosti lahko pride do rahlih ali zmernih telesnih poškodb ali pa poškodb izdelka.

V tem priročniku je veliko pomembnih varnostnih informacij, ki jih morajo uporabniki upoštevati.

## Opozorila, povezana z elektriko

- Ko vlečete vtič napajalnega kabla hladilnika iz vtičnice, ne vlecite kabla. Čvrsto primite vtič in ga neposredno izvlecite iz vtičnice.
- Da poskrbite za varno uporabo, napajalnega kabla ne smete poškodovati ali pa ga uporabljati, če je poškodovan ali iztrošen.
- Uporabljajte temu namenjeno napajalno vtičnico, na katero ne smejo biti priključeni še drugi aparati.
- Vtič napajalnega kabla mora biti trdno priključen v vtičnico, sicer lahko pride do požara.
- Poskrbite, da bo ozemljitveni pol napajalne vtičnice priključen na zanesljiv ozemljitveni vod.
- Če pušča plin ali drugi vnetljivi plini, izklopите ventil za ta plin ter nato odprite vrata in okna. Hladilnika in drugih električnih aparatov ne odklopite, saj iskra lahko povzroči požar.
- Na vrhu aparata ne uporabljajte električnih naprav, razen če so takšne vrste, ki jo priporoča proizvajalec.

## Opozorila glede uporabe

- Hladilnika ne razstavljajte in ne sestavljajte po lastni presoji ter ne poškodujte tokokroga hladilne tekočine; vzdrževanje aparata lahko izvaja le strokovnjak.
- Da preprečite nevarnost, mora poškodovani napajalni kabel zamenjati proizvajalec, njegov oddelek za vzdrževanje ali sorodni strokovnjaki.
- Reže med vrati hladilnika ter med vrati in ohišjem hladilnika so ozke; da preprečite stisnjenje prstov, pazite, da z rokami ne boste posegali v ta območja. Vrata hladilnika odpirajte nežno, da predmeti ne bodo padli ven.
- Da preprečite ozeblino, med delovanjem hladilnika ne jemljite živil ali posod, še posebej kovinskih, iz zamrzovalne komore z vlažnimi rokami.
- Nobenemu otroku ne dovolite, da zleze v hladilnik ali spleza nanj, saj se lahko zaduši ali poškoduje zaradi padca.
- Na vrh hladilnika ne postavljajte težkih predmetov, saj lahko ti pri zapiranju ali odpiranju vrat padejo in lahko pride do nenamernih poškodb.
- Pri izpadu napajanja ali čiščenju izvlecite vtič. Da preprečite poškodbe kompresorja zaradi zaporednih zagonov, počakajte pet minut, preden zamrzovalnik spet priklopite na napajanje.

## Opozorila glede postavitve

- Da preprečite poškodbe izdelka ali požar, v hladilnik ne postavljajte vnetljivih, eksplozivnih, hlapnih in močno korozivnih predmetov.
- Da preprečite požar, v bližino hladilnika ne postavljajte vnetljivih predmetov.
- Hladilnik je namenjen uporabi v gospodinjstvu, kot je shranjevanje živil; ne smete ga uporabljati za druge namene, kot je shranjevanje krvi, zdravil ali bioloških zdravil ipd.
- V zamrzovalni komori hladilnika ne shranjujte piva, pijač ali drugih tekočin v steklenicah ali zaprtih posodah, saj te steklenice in posode zaradi zamrzovanja lahko počijo in povzročijo škodo.

## Opozorila glede energije

1. Če so hladilni aparati dlje časa v območju s temperaturo, ki je nižja od tiste, za katero so bili zasnovani, lahko začnejo delovati nedosledno (obstaja možnost odtaljevanja vsebine ali previsoke temperature v predelku za zamrznjena živila).
2. V predelkih ali komorah zamrzovalnika živil ali v predelkih ali komorah z nizko temperaturo ne smete shranjevati gaziranih pijač, določenih proizvodov, kot so ledene kocke, pa ne smete uživati, ko so še premrzli.
3. Pri vseh živilih, zlasti pa pri komercialnih živilih, hitro zamrznjenih v zamrzovalniku za živila in v predelkih ali komorah za shranjevanje zamrznjenih živil, se je treba držati rokov shranjevanja, ki jih priporočajo proizvajalci živil.
4. Da pri odtaljevanju hladilnega aparata preprečite pretirano segrevanje zamrznjenih živil, morate izvesti previdnostne ukrepe, kot je zavijanje zamrznjenih živil v več plasti časopisnega papirja.
5. Treba je upoštevati dejstvo, da se zaradi segrevanja zamrznjenih živil med ročnim odtaljevanjem, vzdrževanjem ali čiščenjem rok shranjevanja lahko skrajša.
6. Pri vratih ali pokrovh, na katerih so nameščene ključavnice s ključi, je treba poskrbeti, da ključi ne bodo na dosegu otrok in da ne bodo v bližini hladilnega aparata, tako da se otroci ne bodo mogli zakleniti vanj.

## Opozorila glede odstranjevanja



Hladilna tekočina in penasta snov ciklopentan, ki se uporabljata pri hladilniku, sta vnetljivi. Zato je treba pri uničevanju poskrbeti, da hladilnik ni v bližini nobenega vira ognja in da ni odstranjen s sežiganjem, ampak ga predela posebno podjetje za predelavo, ki ima ustrezne kvalifikacije, tako da ne pride škode za okolje ali kakršne koli druge škode.



Pri uničevanju hladilnika razstavite vrata ter z njih odstranite tesnilo in police; vrata in police postavite na primerno mesto, tako da otrokom preprečite zaprtje v hladilnik.



Pravilno odstranjevanje tega izdelka:

Ta oznaka kaže, da tega izdelka nikjer v Evropski uniji ni dovoljeno odlagati skupaj z drugimi gospodinjskimi odpadki. Za preprečitev morebitne škode za okolje ali zdravje ljudi, ki nastane zaradi nenadzorovanega odlaganja v okolju, izdelek odgovorno reciklirajte, da boste spodbujali trajnostno naravnano ponovno uporabo virov surovin. Uporabljeno napravo vrnite prek sistemov za vračanje in zbiranje ali pa se obrnite na prodajalca, pri katerem ste izdelek kupili. Ta izdelek lahko prevzamejo in reciklirajo izdelek na način, ki je varen za okolje.

# PRAVILNA UPORABA HLADILNIKA ZA VINO

## Postavitvev

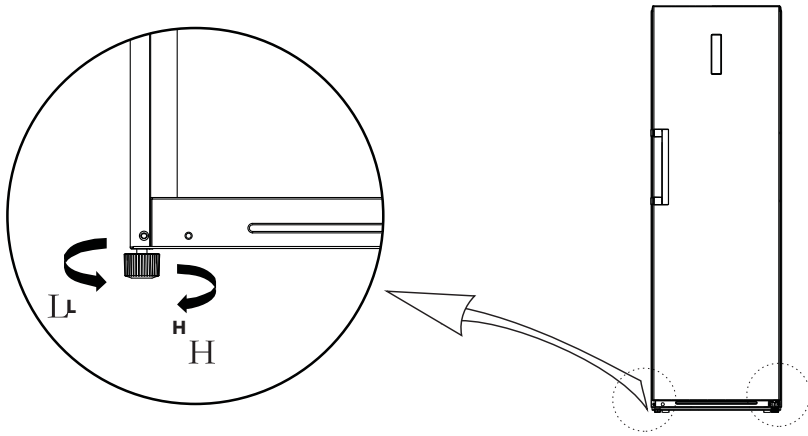
- Pred uporabo odstranite vso embalažo, vključno s spodnjimi blazinicami, blazinicami iz pene in trakovi v notranjosti hladilnika, ter odstranite zaščitno folijo na vratih in ohišju hladilnika.
- Hranite v hladnem prostoru brez neposredne sončne svetlobe. Da preprečite rjavenje ali poslabšanje izolativnosti, zamrzovalnika ne postavljajte v vlažne prostore ali prostore, kjer je polno vode.
- Hladilnika ne pršite in ne spirajte; da ne poslabšate lastnosti električne izolacije hladilnika, ga ne postavljajte v vlažne prostore, kjer ga lahko poškropi voda.
- Hladilnik postavite v dobro prezračen notranji prostor; tla morajo biti ravna in trdna (če je hladilnik nestabilen, kolesce za izravnavanje zavrtite v levo ali v desno).
- Prostor nad hladilnikom mora biti višji od 30 cm, hladilnik pa je treba postaviti ob steno, pri čemer mora zaradi boljšega oddajanja toplote razdalja do stene znašati več kot 10 cm.

## Regulacijski nogici

1. Previdnostni ukrepi pred upravljanjem:

Pred upravljanjem dodatne opreme je treba poskrbeti, da je hladilnik izklopljen iz napajanja. Pred prilagajanjem regulacijskih nogic morate izvesti previdnostne ukrepe, da preprečite telesne poškodbe.

2. Shema regulacijskih nogic

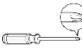





Zgornja slika je namenjena le ponazoritvi. Dejanska postavitvev bo odvisna od fizičnega izdelka ali izjave distributerja.

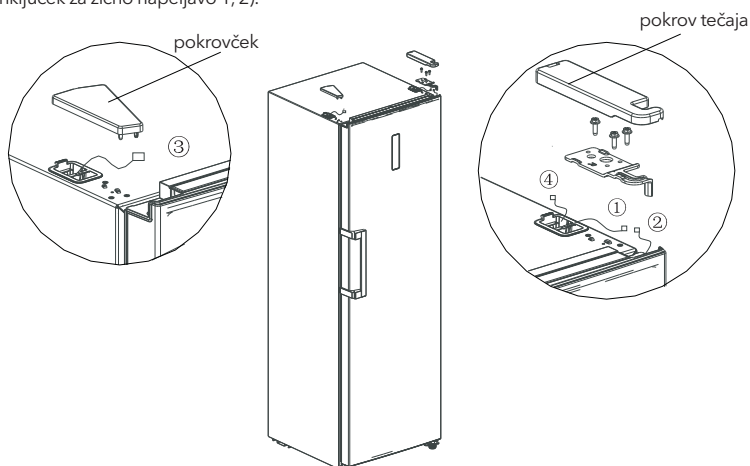
3. Postopki prilagajanja:

- Da hladilnik dvignete, nogici obrnite v smeri urnega kazalca.
- Da hladilnik znižate, nogici obrnite v nasprotni smeri urnega kazalca.
- Levo in desno nogico po zgornjih postopkih nastavite tako, da bo hladilnik v vodoravnem položaju.

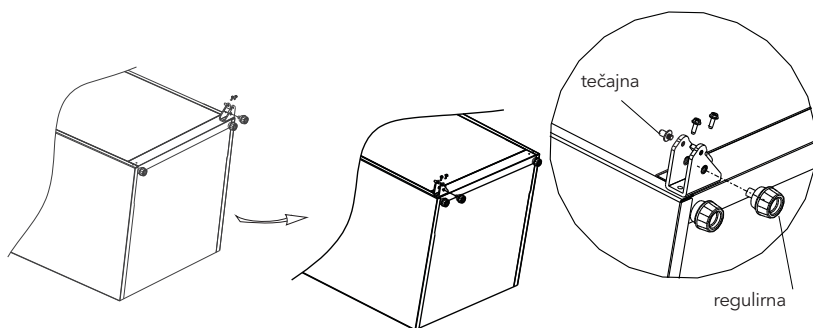
## 2.4 Zamenjava smeri odpiranja vrat (izbirno)

Seznam orodij, ki jih mora priskrbeti uporabnik			
	Križni izvijač		Pleskarska lopatica Ploski izvijač
	5/16" nasadni ključ		Maskirni trak

1. Izklopite hladilnik in odstranite vse predmete iz polic na vratih.
2. Razstavite pokrovčke za odprtne vijakov, vijake in ročaj ter odstranite plastične pokrovčke odprtine za vijake na drugi strani. Glejte poglavje 2.2.
3. Razstavite pokrov zgornjega tečajja, vijake in zgornji tečaj ter odstranite pokrovček za odprtino na drugi strani. Odklopite priključek na žično napeljavo na desni strani zgornjega dela hladilnika (priključek za žično napeljavo 1, 2).

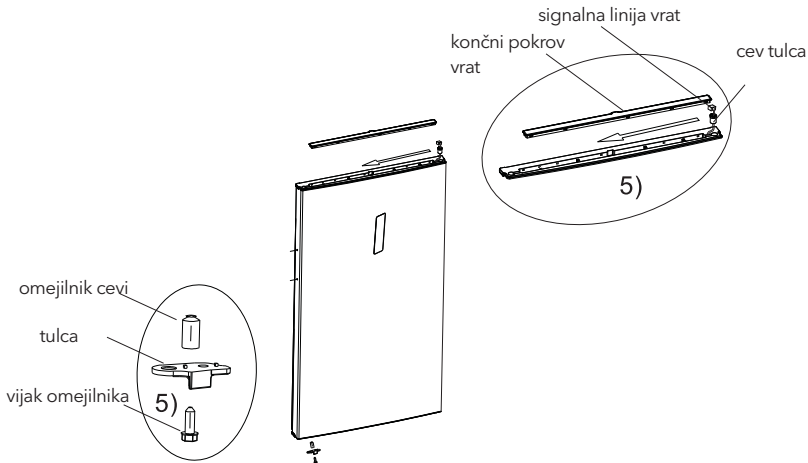


4. Razstavite vrata in sklop desnega spodnjega tečajja (tečajno gred, regulirno nogico in tečaj) ter sestavite tečajno gred in regulirno nogico na drugi strani tečajja, nato pa sestavite celotni sklop tečajja na drugi strani hladilnika.

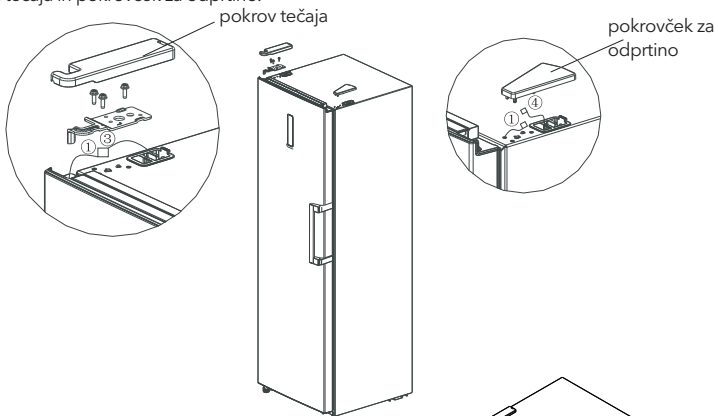


5. Odstranite vrata in pokrov, namestite tulec zgornjega tečaja in signalno linijo vrat na drugi strani ter namestite končni pokrov vrat.

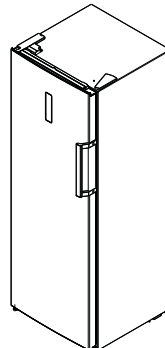
Razstavite omejlilnik vrat in cev tulca z desne spodnje strani vrat, vstavite cev tulca v odprtino tečaja na levem spodnjem delu vrat ter sestavite omejlilnik vrat na levem spodnjem delu vrat.



6. Vzemite levi zgornji tečaj in pokrov levega zgornjega tečaja iz embalaže za dodatno opremo, namestite vrata na spodnji tečaj in namestite levi zgornji tečaj. Priključek signalne linije 3 povežite s priključkom signalne linije 2. Priključek signalne linije 1 povežite s priključkom signalne linije 4. Namestite pokrov zgornjega tečaja in pokrovček za odprtino.

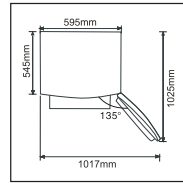


7. Navodila za sestavljanje ročaja poiščite v poglavju 2.2.



## Začetek uporabe

- Preden hladilnik prvič zaženete, ga pred priklopom na napajanje pustite, da pol ure stoji na svojem mestu.
- Preden vanj shranite kakršna koli sveža ali zamrznjena živila, naj najprej 2-3 ure deluje, poleti, ko so temperature okolja višje, pa naj deluje več kot 4 ure.
- Da boste zlahka odpirali vrata in predale, ob hladilniku pustite dovolj praznega prostora.
- Zgornja slika je namenjena le ponazoritvi. Dejanska postavitev bo odvisna od fizičnega izdelka ali izjave distributerja.

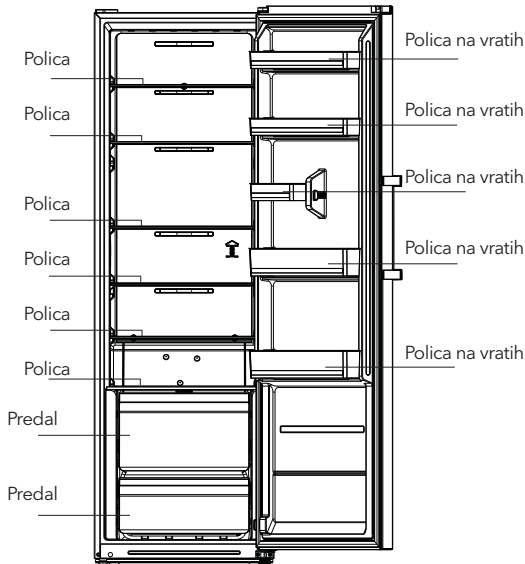


## Nasveti za varčevanje z energijo

- Aparat naj bo nameščen v najhladnejšem delu prostora, oddaljen naj bo od aparatov, ki proizvajajo toploto, ali od ogrevalnih kanalov in naj ne bo izpostavljen neposredni sončni svetlobi.
- Preden vroča živila shranite v tem aparatu, naj se najprej ohladijo na sobno temperaturo. Če bo aparat preveč napolnjen, bo kompresor deloval dlje. Živila, ki prepočasi zamrzujejo, lahko postanejo manj kakovostna ali pa se pokvarijo.
- Poskrbite, da jih boste pravilno zapakirali in da boste posode do suhega obrisali, preden boste živila shranili v gospodinjski aparat. Na ta način se znotraj aparata tvori manj ledu.
- Predala aparata ne smete oblagati z aluminijasto folijo, papirjem za peko ali papirnatimi brisačami. Material za oblaganje moti kroženje hladnega zraka, zato je aparat manj učinkovit.
- Da boste manjkrat odpirali vrata in ne boste dolgo iskali, živila organizirajte in jih označite. Vzemite čim več živil naenkrat in čim prej zaprite vrata.

## STRUKTURA IN FUNKCIJE

### Ključni sestavni deli



Zgornja slika je namenjena le ponazoritvi. Dejanska postavitev bo odvisna od fizičnega izdelka ali izjave distributerja.

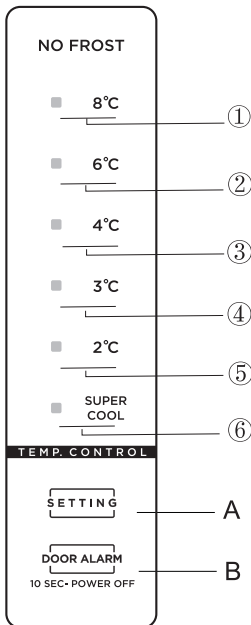


### Hladilna komora

- Hladilna komora je primerna za shranjevanje različnega sadja, zelenjave, pijač in drugih živil, ki jih je treba hitro porabiti.
- Kuhane hrane ne smete shranjevati v hladilni komori, dokler se ne ohladi na sobno temperaturo.
- Pred shranjevanjem v hladilnik je živila priporočljivo zaviti v folijo.
- Višino steklenih polic je mogoče prilagoditi, tako da je velikost prostora za shranjevanje ustrezna, uporaba pa enostavna.

**Opomba:** Če med delovanjem po začetnem priklopu na napajanje shranite preveč živil, to lahko negativno vpliva na učinek zamrzovanja pri hladilniku. Shranjena živila ne smejo blokirati izhoda za zrak, sicer to lahko tudi negativno vpliva na učinek zamrzovanja.

## Funkcije



### 1. Tipka

- A. Gumb za nastavitev temperature  
B. Gumb za mirovanje

### 2. Ikona temperature

1. Nastavitev 1: nastavljena temperatura je 8 °C.
2. Nastavitev 2: nastavljena temperatura je 6 °C.
3. Nastavitev 2: nastavljena temperatura je 4 °C.
4. Nastavitev 2: nastavljena temperatura je 3 °C.
5. Nastavitev 2: nastavljena temperatura je 2 °C.
6. Nastavitev 2: Super hlajenje

Zgornja slika je namenjena le ponazoritvi. Dejanska postavitve bo odvisna od fizičnega izdelka ali izjave distributerja.

### 3. Ko je napajanje hladilnika vklopljeno:

Vse ikone temperature zasvetijo 3 sekunde po prvem vklopu napajanja; privzeta nastavitve temperature je 4 °C.

Po tem bo hladilnik ob vsakem vklopu deloval v skladu s temperaturo, ki je bila nastavljena pred zadnjim izklopom napajanja.

## Prikaz normalnega delovanja

Če pride do napake, bodo ustrezne ikone kombinirano utripale: kode in vrste napak so prikazane v nadaljevanju.

### Hladilnik


Koda napake	Opis napake	Prikaz
<b>E1</b>	Napaka senzorja temperature v prostoru hladilnika	Ikona <sup>SUPER</sup> COOL in ikona "2" svetita hkrati.
<b>E2</b>	Napaka senzorja odtaljevanja v prostoru hladilnika	Ikona <sup>SUPER</sup> COOL in ikona "3" svetita hkrati.
<b>E6</b>	Napaka komunikacije	Ikona "2" in ikona "4" svetita hkrati.
<b>E7</b>	Napaka senzorja za temperaturo okolja	Ikona <sup>SUPER</sup> COOL in ikona "4" svetita hkrati.

Ne napake ni, je na zaslonu prikazana nastavljena temperatura v prostoru hladilnika.

## Funkcija mirovanja

Da nastavite funkcijo mirovanja, gumb  držite pritisnjen dolgo - 10 sekund.

## Nastavitev temperature

Nastavitev temperature se bo spremenila, ko boste pritisnili gumb . Nato bo hladilnik po 15 sekundah deloval v skladu z novo nastavitvijo temperature.



## VZDRŽEVANJE IN NEGA APARATA

### Splošno čiščenje

- Za večji učinek hlajenja in varčevanje z energijo je treba prah za zamrzovalno omaro in na tleh redno čistiti.
- Redno preverjajte tesnilo na vratih, da se na njem ne bo nabirala umazanija. Tesnilo na vratih očistite z mehko krpo, namočeno v milnico ali razredčeni detergent.
- Da preprečite neprijetne vonjave, morate redno čistiti tudi notranjost hladilnika.
- Pred čiščenjem notranjosti izklopite napajanje ter odstranite vsa živila, pijače, police, predale itd.
- Notranjost hladilnika očistite z mehko krpo ali gobo, namočeno v mešanico dveh čajnih žličk sode bikarbone in četrta litra tople vode. Nato izplaknite z vodo in do čistega obrišite. Po čiščenju odprite vrata in počakajte, da se notranjost osuši na zraku, preden znova vklopite napajanje.
- Območja, ki jih je težko očistiti (ozke prostore, reže ali kote), je priporočljivo redno brisati z mehko krpo, mehko krtačko itd., po potrebi pa z dodatnimi pripomočki (kot so tanke paličice), da se v njih ne bodo nabirala onesnaževala ali bakterije.
- Ne uporabljajte mil, detergentov, abrazivnih praškov za čiščenje, sredstev za čiščenje v obliki razpršila, saj lahko v notranjosti hladilnika pustijo neprijetne vonjave ali onesnažijo živila.
- Držalo za steklenice, police in predale očistite z mehko krpo, namočeno v milnico ali razredčeni detergent. Obrišite z mehko krpo ali pa pustite, da se posuši na zraku.

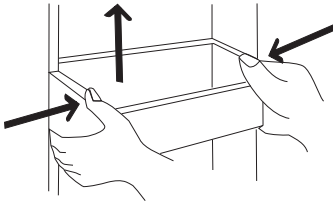
- Zunanjo površino hladilnika očistite z mehko krpo, namočeno v milnico, detergent itd., nato pa jo obrišite do suhega.
- Ne uporabljajte trdih krtač, jeklenih gobic za čiščenje, žičnih krtač, abrazivnih sredstev (kot je zobna pasta), organskih topil (kot je alkohol, aceton, bananino olje itd.), vrele vode ali pa kislinskih ali alkalnih sredstev, ki lahko poškodujejo površino in notranjost hladilnika. Z vrelo vodo in organskimi topili, kot je benzen, se plastični deli lahko deformirajo ali poškodujejo.
- Med čiščenjem ne izplakujte neposredno z vodo ali drugimi tekočinami, da preprečite kratke stike ali poškodbe električne izolacije, ki bi nastale med prelitjem z vodo.



Pri odtaljevanju in čiščenju izklopite hladilnik iz napajanja.

## Čiščenje police na vratih ter predalčka in predala za sadje in zelenjavo

- V skladu s smerno puščico na spodnji sliki z obema rokama pritisnite polico in jo potisnite navzgor, nato pa jo lahko izvlečete.
- Ko izvlečeno polico očistite, lahko višino, na katero jo boste namestili, prilagodite, kot vam ustreza. Za čiščenje so priporočene mehke kuhinjske krpe ali čistilne gobice, namočene v vodo in nekorozivni nevtralni detergent. Zamrzovalnik na koncu očistite s čisto vodo in suho krpo. Preden znova vklopite napajanje, pustite vrata odprta, da se notranjost naravno osuši. Pri čiščenju hladilnika ne uporabljajte trdih krtač, jeklenih gobic za čiščenje, žičnih krtač, abrazivnih sredstev (kot je zobna pasta), organskih topil (kot je alkohol, aceton, bananino olje itd.), vrele vode ali pa kislinskih ali alkalnih sredstev, saj lahko poškodujejo površino in notranjost hladilnika.



Zgornja slika je namenjena le ponazoritvi. Dejanska postavitev bo odvisna od fizičnega izdelka ali izjave distributerja.

## Čiščenje steklenih polic

- Ker je na najglobljem delu obloge hladilnika pri stiku s policami zapora, morate police dvigniti, preden jih lahko izvlečete.
- Police namestite ali očistite glede na potrebe. Za čiščenje so priporočene mehke kuhinjske krpe ali čistilne gobice, namočene v vodo in nekorozivni nevtralni detergent. Zamrzovalnik na koncu očistite s čisto vodo in suho krpo. Preden znova vklopite napajanje, pustite vrata odprta, da se notranjost naravno osuši. Pri čiščenju hladilnika ne uporabljajte trdih krtač, jeklenih gobic za čiščenje, žičnih krtač, abrazivnih sredstev (kot je zobna pasta), organskih topil (kot je alkohol, aceton, bananino olje itd.), vrele vode ali pa kislinskih ali alkalnih sredstev, saj lahko poškodujejo površino in notranjost hladilnika.

## Odtaljevanje

- Hladilnik je izdelan po načelu hlajenja zraka in ima zato funkcijo samodejnega odtaljevanja. Led, ki se nabere med spremembami letnih časov ali temperature, je mogoče očistiti tudi ročno, tako da aparat izklopite iz napajanja ali pa ga obrišete s suho krpo.

## Nedelovanje aparata

- Izpad napajanja: Če pride do izpada napajanja, je mogoče živila v notranjosti aparata hraniti več ur, tudi če je poletje; med izpadom napajanja morate paziti na to, da vrata odpirate manjkrat in da v aparat ne dajete novih svežih živil.
- Dolgotrajna neuporaba: Aparat morate izključiti iz napajanja in ga nato očistiti ter pustiti vrata odprta, da preprečite neprijetne vonjave.
- Premikanje: Pred premikanjem hladilnika iz njega odstranite vse predmete, steklene dele, predelek za zelenjavo, predale zamrzovalne komore in drugo pa pritrдите z lepilnim trakom; pričvrstite regulacijski nogici, zaprite vrata in jih zalopite z lepilnim trakom. Med premikanjem aparata ne smete obračati, ga polagati vodoravno ali tresti; naklon med premikanjem ne sme znašati več kot 45°.



Ko je aparat zagnan, mora delovati neprekinjeno. V splošnem delovanja aparata ne smete prekinjati, sicer se njegova življenjska doba lahko skrajša.

## ODPRAVLJANJE TEŽAV

Naslednje enostavne težave lahko poskusite odpraviti sami.  
Če jih ne morete odpraviti, se obrnite na poprodajni oddelék.

Aparat ne deluje.	Preverite, ali je aparat priključen na napajanje in ali je stik vtiča dober. Preverite, ali je napetost prenizka. Preverite, ali je prišlo do izpada napajanja ali prekinitev pri določenih tokokrogih.
Neprijetne vonjave	Živila neprijetnih vonjav morate dobro zaviti. Preverite, ali kakšno živilo gnije. Očistite notranjost hladilnika.
Dolgotrajno delovanje kompresorja	Poleti, ko so temperature visoke, je dolgotrajno delovanje hladilnika običajno. V aparatu ni priporočljivo sočasno shranjevati velike količine živil. Živila je treba pred shranjevanjem v aparatu ohladiti. Vrata se prepogosto odpirajo.
Sijalka ne sveti	Preverite, ali je hladilnik priključen na napajanje in ali je sijalka poškodovana. Sijalko naj zamenja strokovnjak.
Vrata ni mogoče pravilno zapreti.	Vrata ovirajo paketi živil. Hladilnik je nagnjen.
Glasi hrup	Preverite, ali so tla ravna in ali je hladilnik stabilno nameščen. Preverite, ali je dodatna oprema nameščena na ustreznih mestih.

Zdi se, da tesnilo vrat ne tesni.	Odstranite tujke na tesnilu vrat. Tesnilo vrat segrejte in ga nato ohladite, da se vrne v prejšnjo obliko (segrejte jo z električnim fenom ali z vročo brisačo).
Prelivanje iz posode za vodo	V komori je preveč živil ali pa shranjena živila vsebujejo preveč vode, zaradi česar prihaja do precejšnjega odtaljevanja. Vrata niso pravilno zaprta, zato zaradi vstopa zraka prihaja do zamrzovanja, zaradi odtaljevanja pa je povečana količina vode.
Vroče ohišje	Prihaja do oddajanja toplote vgrajenega kondenzatorja prek ohišja, kar je običajen pojav. Ko se ohišje zaradi visoke temperature okolja in shranjevanja prevelike količine živil segreje, je zaradi boljšega oddajanja toplote priporočljivo neprekinjeno prezračevanje.
Kondenzacija na površini	Ko je vlažnost zraka v okolju previsoka, je običajen pojav kondenzacija na zunanjih površinah in tesnilih vrat hladilnika. Kondenzat obrišite s čisto krpo.
Nenormalen hrup	Brenčanje: Kompresor med delovanjem lahko brenči; brenčanje je še zlasti glasno ob začetku in koncu delovanja. To je običajno. Škripanje: Hladilno sredstvo, ki teče po notranjosti aparata, lahko povzroča škripanje, kar je običajno.

# UPOZORENJA O BEZBEDNOSTI

## UPOZORENJE:



**Upozorenje:** rizik od požara / zapaljivi materijali

## PREPORUKE:

- Ovaj uređaj je namenjen za upotrebu u domaćinstvu i sličnom okruženju kao što su kuhinje, za osoblje u prodavnicama, kancelarijama i drugom radnom okruženju; seoskim kućama, hotelima, motelima i drugim stambenim okruženjima; u objektima koji pružaju uslugu noćenja s doručkom; kateringa i sličnih usluga koje nisu vezane za maloprodaju.
- Ukoliko je kabl za napajanje oštećen, mora ga zameniti proizvođač, ovlašćeni serviser ili osobe sa sličnim kvalifikacijama kako bi se izbegla opasnost.
- Ne čuvajte eksplozivne supstance kao što su aerosol konzerve sa zapaljivim pogonom u ovom uređaju.
- Uređaj mora biti isključen iz struje nakon upotrebe i pre njegovog korisničkog održavanja.
- **UPOZORENJE:** Vodite računa da otvori za ventilaciju u kućištu uređaja ili u ugrađenoj strukturi uvek budu slobodni od prepreka.
- **UPOZORENJE:** Ne koristite mehaničke uređaje ili druge metode kako biste ubrzali proces odmrzavanja, osim onih preporučenih od strane proizvođača.
- **UPOZORENJE:** Ne oštećujte instalacije za rashladno sredstvo.
- **UPOZORENJE:** Ne koristite električne aparate unutar odeljaka za čuvanje hrane uređaja, osim ako su preporučeni od strane proizvođača
- **UPOZORENJE:** Uređaj odložite u skladu sa lokalnim propisima jer se za njegov rad upotrebljavaju zapaljivi eksplozivni gas i rashladno sredstvo.
- **UPOZORENJE:** Prilikom postavljanja uređaja, osigurajte da napojni kabl nije pritisnut ili oštećen.
- **UPOZORENJE:** Nemojte postavljati prenosive produžne kablove sa više utičnica ili prenosive akumulatore iza uređaja.
- NE upotrebljavajte produžne kablove ili neuzemljene (sa dva kraka) adaptere.
- **OPASNOST:** Rizik od zatvaranja dece u uređaju.  
Pre nego što odložite uređaj:
  - Skinite vrata.
  - Ostavite police unutar uređaja kako deca ne bi mogla lako ući unutra.
- Uređaj mora biti isključen iz izvora električne energije pre nego što pokušate instalaciju nekog pratećeg elementa.
- Rashladno sredstvo i penasti materijal ciklopentan koji se koristi za hlađenje su zapaljivi. Stoga, kada se frižider odbacuje, treba ga držati podalje od izvora vatre i umesto da ga odložite sagorevanjem, predajte ga specijalizovanoj firmi za reciklažu sa odgovarajućim kvalifikacijama, kako bi se sprečili štetni efekti po životnu sredinu ili sredini ili druge opasnosti.
- Prema EN standardu: Ovaj uređaj mogu koristiti deca uzrasta od 8 godina i stariji, kao i osobe sa smanjenim fizičkim, senzornim ili mentalnim sposobnostima ili nedostatkom iskustva i znanja, ukoliko su im pruženi nadzor ili upute o sigurnoj upotrebi uređaja i razumeju rizike koji su uključeni. Deca ne smeju da se igraju sa uređajem. Deca ne smeju da obavljaju čišćenje i korisničko održavanje bez nadzor. Deca uzrasta od 3 do 8 godina smeju da stavljaju ili uzimaju namirnice iz rashladnih uređaja.
- Prema IEC standardu: Ovaj uređaj nije namenjen za upotrebu osobama (uključujući decu) sa smanjenim fizičkim, senzornim ili mentalnim sposobnostima, ili nedostatkom iskustva i znanja, osim ako su im pružene upute ili nadzor od strane osobe odgovorne za njihovu bezbednost.
- Deca treba da budu pod nadzorom kako bi se osiguralo da se ne igraju sa uređajem.
- U uputstvima treba da budu sadržane sledeće tačke: Da biste izbegli kontaminaciju hrane, molimo vas da poštuju sledeće instrukcije:
  - Dugotrajno otvaranje vrata može uzrokovati značajan porast temperature u odeljcima uređaja.
  - Redovno čistite površine koje dolaze u dodir sa hranom i dostupne sisteme za odvod vode.
  - Očistite rezervoare za vodu ako nisu korišćeni 48 sati; isperite sistem za vodu povezan sa dovodom vode ako voda nije korišćena 5 dana. (napomena 1)
  - Čuvajte sirovu meso i ribu u odgovarajućim posudama u frižideru, tako da ne dolazi u kontakt ili da ne kaplju na drugu hranu.
  - Odeljci za zamrzavanje označeni sa dve zvezdice pogodni su za čuvanje prethodno zamrznute hrane, skladištenje ili pravljenje sladoleda i pravljenje kockica leda. (napomena 2)
  - Odeljci označeni sa jednom zvezdicom , dve ai tri zvezdice nisu pogodni za zamrzavanje sveže hrane. (napomena 3)
  - Ako se rashladni uređaj ostavi prazan tokom dužeg perioda, isključite ga, odmrzните, očistite, osušite i ostavite vrata otvorenim kako biste sprečili razvoj plesni unutar uređaja..

Napomena 1, 2, 3: Molimo potvrdite da li je primenljivo u skladu sa tipom odeljka vašeg proizvoda.

## Značenje simbola upozorenja na sigurnost:



Ovo je simbol zabrane. Svako nepoštovanje instrukcija označenih ovim simbolom može rezultirati oštećenjem proizvoda ili ugrožavanjem lične sigurnosti korisnika.



Ovo je simbol upozorenja. Potrebno je strogo poštovati upute označene ovim simbolom; inače može doći do oštećenja proizvoda ili povreda lične sigurnosti



Ovo je simbol opreza. Uputstva označena ovim simbolom zahtevaju poseban oprez. Nedovoljan oprez može rezultirati blagim ili umerenim povredama ili oštećenjem proizvoda.

Ovaj priručnik sadrži mnogo važnih informacija o sigurnosti koje korisnici treba da poštuju.

## Upozorenja vezana za električnu energiju

- Ne povlačite strujni kabl kada izvlačite utikač frižidera. Čvrsto uhvatite utikač i izvucite ga direktno iz utičnice.
- Da biste osigurali sigurnu upotrebu, nemojte oštetiti strujni kabl ili ga koristiti ako je oštećen ili istrošen.
- Koristite posebnu utičnicu za struju. Utičnica za struju ne sme se deliti sa drugim električnim uređajima. Utikač za napajanje mora biti čvrsto u kontaktu sa utičnicom, inače može izazvati požar.
- Proverite da li je elektroda za uzemljenje utičnice za struju opremljena pouzdanim kablom za uzemljenje.
- Zatvorite ventil za curenje gasa, a zatim otvorite vrata i prozore u slučaju curenja gasa i drugih zapaljivih gasova. Nemojte isključivati frižider i druge električne aparate jer iskra može izazvati požar.
- Ne koristite električne aparate na vrhu uređaja, osim ako su preporučeni od strane proizvođača.

## Upozorenja za upotrebu

- Ne rastavljajte ili ne rekonstruišite frižider proizvoljno, niti oštetiti krug rashladnog sredstva; održavanje uređaja mora izvoditi stručnjak.
- Oštećeni strujni kabl mora zameniti proizvođač, ovlašćeni serviser ili odgovarajući stručnjak, kako bi se izbegla opasnost.
- Prostor između vrata frižidera i između vrata i tela frižidera su mali, obratite pažnju da ne stavljate ruku u te oblasti kako ne biste prikleštili. Budite pažljivi prilikom otvaranja vrata frižidera kako biste izbegli obaranje predmeta.
- Ne uzimajte hranu ili posude vlažnim rukama iz zamrzivača dok frižider radi, posebno metalne posude, kako biste izbegli ozeblina.
- Ne dozvolite deci da ulaze ili se penju na frižider; kako ne bi došlo do gušenja ili povrede usled pada deteta.
- Ne stavljajte teške predmete na vrh frižidera, imajući u vidu da se predmeti mogu srušiti prilikom otvaranja ili zatvaranja vrata, što može uzrokovati slučajne povrede.
- Molimo vas da izvadite utikač iz utičnice u slučaju nestanka struje ili prilikom čišćenja. Ne povezujte zamrzivač na napajanje u roku od pet minuta nakon isključivanja, kako biste sprečili oštećenje kompresora usled uzastopnih pokretanja.

## Upozorenja za postavljanje

- Ne stavljajte zapaljive, eksplozivne, lako isparljive i veoma korozivne predmete u frižider kako biste sprečili oštećenje proizvoda ili požar.
- Ne postavljajte zapaljive predmete blizu frižidera kako biste izbegli požare.
- Frižider je namenjen za kućnu upotrebu, kao što je skladištenje hrane; ne sme se koristiti u druge svrhe, kao što je skladištenje krvi, lekova ili bioloških proizvoda, itd.
- Ne čuvajte pivo, napitke ili druge tečnosti sadržane u bocama ili limenkama u zamrzivačkom odeljku frižidera; jer mogu pući usled smrzavanja i izazvati oštećenje.

## Upozorenja vezana za energiju

1. Uređaji za hlađenje se mogu ponašati neujednačeno (mogućnost odmrzavanja sadržaja ili porasta temperature u zamrznutom odeljku) ako su tokom dužeg vremenskog perioda postavljeni ispod donjeg kraja opsega temperatura za koje je uređaj za hlađenje dizajniran.
2. Gazirani napici ne bi trebalo da se čuvaju u odeljcima za zamrzavanje ili ormarićima za hranu, kao ni u odeljcima ili kabinetima sa niskim temperaturama. Proizvodi poput ledene voda ne bi trebalo da se konzumiraju prehladni.
3. Ne prekoračujte preporučeno vreme čuvanja koje su naveli proizvođači hrane za bilo koji tip hrane, a posebno za komercijalno brzo zamrznutu hranu u odeljcima ili kabinetima za zamrzavanje hrane.
4. Preduzeti mere kako bi se sprečilo prekomerno povećanje temperature zamrznute hrane tokom odmrzavanja uređaja za hlađenje, kao što je zamotavanje zamrznute hrane u nekoliko slojeva novina.
5. Vodite računa o tome da porast temperature zamrznute hrane tokom ručnog odmrzavanja, održavanja ili čišćenja može skratiti vreme čuvanja.
6. Kod vrata ili poklopaca opremljenih bravama i ključevima, ključeve čuvajte van domašaja dece i ne u blizini uređaja za hlađenje, kako bi se sprečilo da deca budu zaključana unutra.

## Upozorenja za odlaganje



Rashladni gas i penasti materijal na bazi ciklopentana koji se koriste za frižider su zapaljivi. Zbog toga, kada se frižider odbaci, treba ga držati dalje od svih izvora vatre i predati specijalizovanoj firmi za reciklažu koja ima odgovarajuće kvalifikacije, umesto da se odlaže spaljivanjem, kako bi se sprečili štetni efekti po životnu sredinu ili sredini ili druge opasnosti.



Kada se frižider odbaci, rastavite vrata, skinite brtvu sa vrata i police; postavite vrata i police na odgovarajuće mesto, kako biste sprečili da se dete ne zarobi.



Ispravno odlaganje ovog proizvoda:

Ova oznaka ukazuje na to da ovaj proizvod ne bi trebalo da se odbacuje zajedno sa ostalim kućnim otpadom u celoj EU. Kako biste sprečili moguću štetu za životnu sredinu ili ljudsko zdravlje usled neskontrolisanog odlaganja otpada, odložite ga odgovorno kako biste podstakli održivu ponovnu upotrebu materijalnih resursa. Da biste vratili svoj korišćeni uređaj, koristite sisteme za povraćaj i prikupljanje ili kontaktirajte prodavnicu gde ste kupili proizvod. Oni mogu preuzeti proizvod radi ekološki sigurne reciklaže.



# PRAVILNA UPOTREBA FRIŽIDERA

## Postavljanje

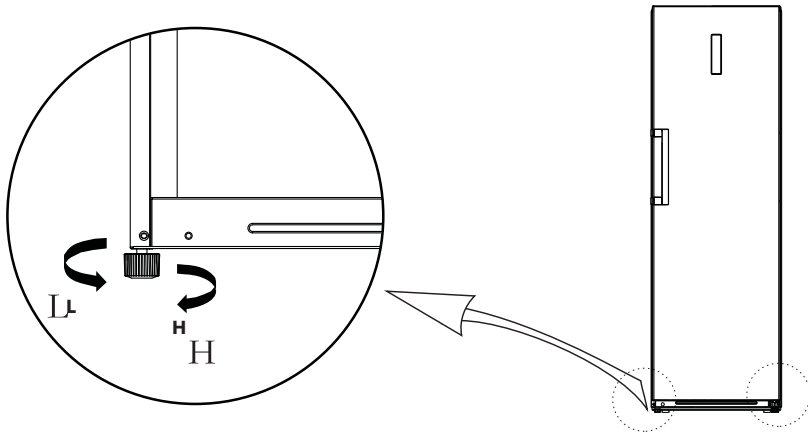
- Pre upotrebe, uklonite sve ambalažne materijale, uključujući donje jastučice, penaste podloške i trake unutar frižidera; skinite zaštitnu foliju sa vrata i tela frižidera.
- Držite dalje od izvora toplote i izbegavajte direktnu sunčevu svetlost. Ne postavljajte zamrzivač na vlažnim ili vodenim mestima kako biste sprečili rđanje ili smanjenje izolacionog efekta.
- Ne prskajte i ne perite frižider; nemojte postavljati frižider na vlažna mesta koja su sklona prskanju vodom kako ne bi uticali na električne izolacione osobine frižidera.
- Frižider se postavlja u dobro provetrenu unutrašnju prostoriju; podloga treba da bude ravna i čvrsta (rotirajte levo ili desno da biste izravnali točkove ako je nestabilno).
- Gornji prostor frižidera treba da bude veći od 30 cm, a frižider treba postaviti uz zid sa slobodnom udaljenošću većom od 10 cm kako bi se omogućila rasipanje toplote.

## Nivelisanje nožica

### 1. Mere opreza pre upotrebe:

Pre korišćenja dodatka treba se uveriti da je frižider isključen iz struje. Pre nivelacije nožica, treba preduzeti mere opreza kako bi se sprečile povrede.

### 2. Šematski diagram nivelacije nožica

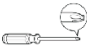

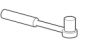



Slika iznad je samo za referencu. Stvarna konfiguracija će zavisi od fizičkog proizvoda ili izjave distributera.

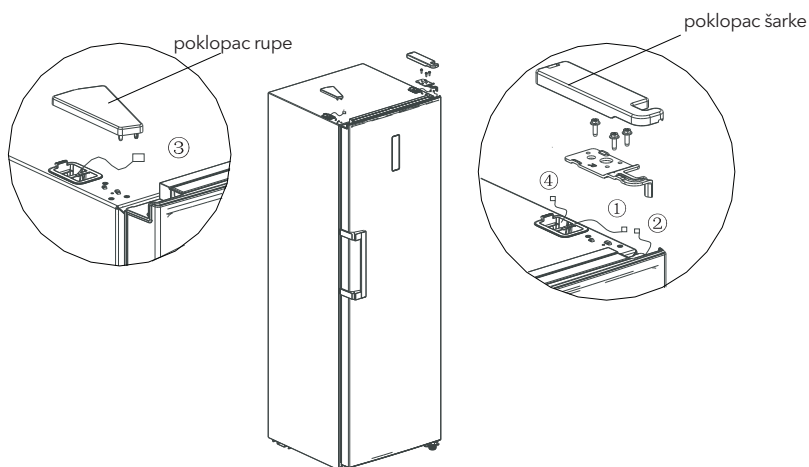
### 3. Postupak podešavanja:

- Okrećite nožice u smeru kazaljke na satu kako biste podigli frižider;
- Okrećite nožice suprotno od smera kazaljke na satu kako biste spustili frižider;
- Podešavajte desne i leve točkove prema gore navedenim postupcima kako biste postigli horizontalnu nivelaciju.

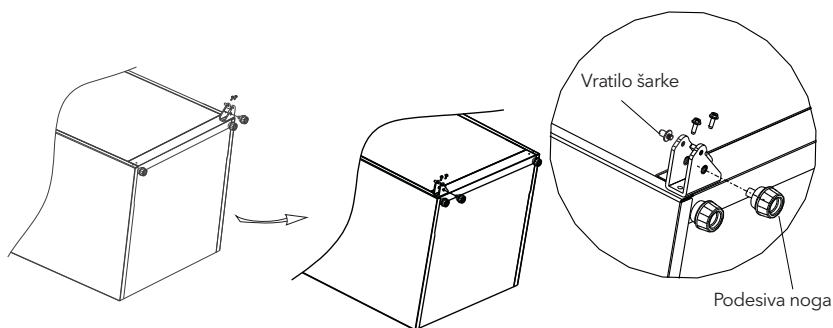
## 2.4 Promena smeru otvaranja vrata levo-desno

List of tools to be provided by the user			
	Krstasti šrafciger		Spatula tanki, ravni odvijač
	Nasadni ključ od 5/16"		Krep traka

1. Isključite frižider iz struje i uklonite sve predmete sa fioka na vratima
2. Rastavite poklopce rupa za šrafove, šrafove i dršku, i uklonite plastične poklopce rupa za šrafove sa druge strane. Pogledajte poglavlje 2.2
3. Rastavite poklopac gornje šarke, šrafove i gornju šarku, i uklonite poklopac rupe sa druge strane. Isključite priključak za žice sa desne strane vrha frižidera (1, 2 priključak za žice)

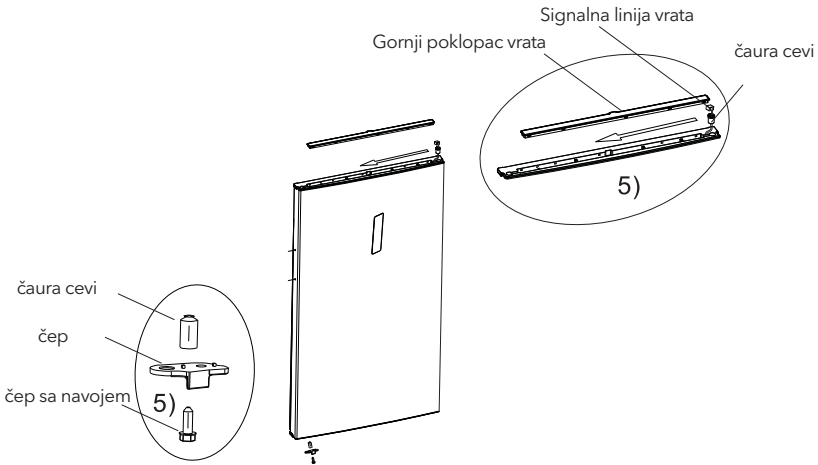


4. Rastavite sklop vrata i desne donje šarke (osovina šarke i podesiva noga i šarka), rastavite sklop desne donje šarke i sklopite osovinu šarke i podesivu stopu na drugoj strani šarke, zatim sastavite ceo sklop šarke na drugoj strani frižidera.

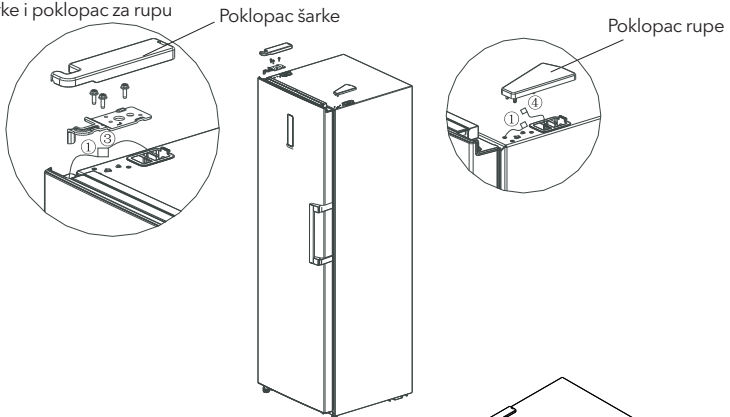


5. Uklonite gornji poklopac vrata, postavite gornji poklopac šarke i signalnu liniju vrata na drugu stranu i postavite gornji poklopac vrata.

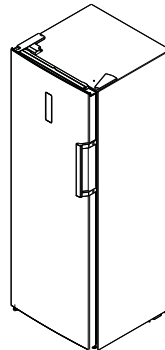
Demontirajte graničnik vrata, cev za čauru sa desnog dna vrata, umetnite cev za čauru u otvor za šarke levog donjeg dela vrata, sastavite graničnik vrata na levom dnu vrata.



6. Izvadite ležište leve gornje šarke, poklopac leve gornje šarke iz paketa sa priborom, postavite vrata na donju šarku i montirajte levu gornju šarku. Povežite signalnu liniju terminala 3 sa signalnom linijom terminala 2, povežite signalnu liniju terminala 1 sa signalnom linijom terminala 4, montirajte poklopac gornje šarke i poklopac za rupu.

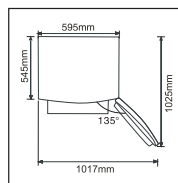


7. Za montažu ručke, molim vas pogledajte poglavlje 2.2.



## Početak korišćenja

- Pre prvog pokretanja, ostavite frižider mirno pola sata pre nego što ga povežete na napajanje.
- Pre nego što stavite bilo koje sveže ili smrznute namirnice, frižider treba da radi 2-3 sata, ili više od 4 sata leti kada je visoka temperatura.
- Ostavite dovoljno prostora za praktično otvaranje vrata i fioka.
- Slika iznad je samo za referencu. Stvarna konfiguracija će zavisi od fizičkog proizvoda ili izjave distributera.

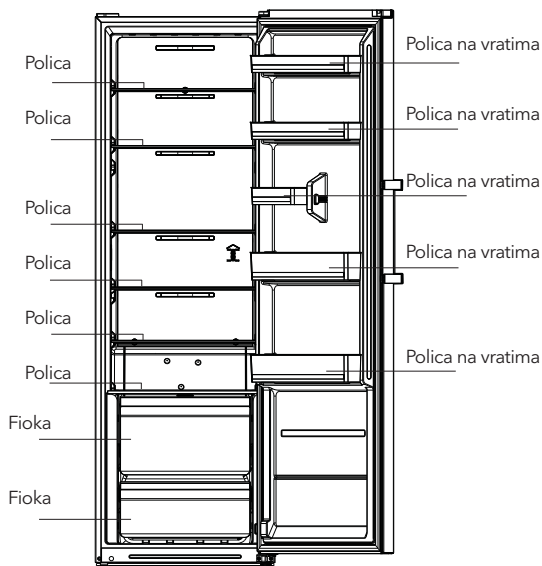


## Saveti za štednju energije

- Uređaj treba da bude smešten u najhladnijem delu prostorije, daleko od aparata koji proizvode toplotu ili grejnih cevi, i van direktnog sunčevog svetla.
- Pustite da se tople namirnice ohlade na sobnoj temperaturi pre nego što ih stavite u uređaj. Preopterećenje aparata prisiljava kompresor da radi duže. Namirnice koje se sporo zamrzavaju mogu izgubiti kvalitet ili se pokvariti.
- Obavezno pravilno umotajte namirnice i proverite da li su posude suve pre nego što ih stavite u aparat. Ovo smanjuje stvaranje leda unutar uređaja.
- Posude za skladištenje u aparatu ne bi trebalo oblagati aluminijumskom folijom, papirom za pečenje ili papirnatim ubrusima. Obloge ometaju cirkulaciju hladnog vazduha, čime uređaj postaje manje efikasan.
- Organizujte i označite hranu kako biste smanjili često otvaranje vrata i produžene pretrage. Uzmite sve što vam je potrebno odjednom i zatvorite vrata što je pre moguće.

## STRUKTURA I FUNKCIJE

### Glavne komponente



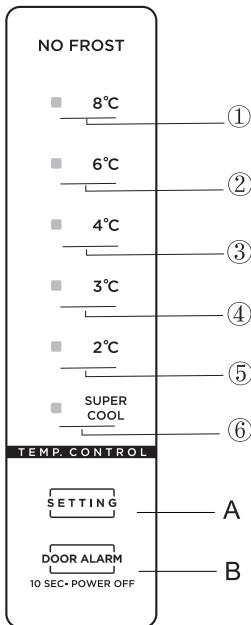
Slika iznad je samo za referencu. Stvarna konfiguracija će zavisi od fizičkog proizvoda ili izjave distributera.

### Hladnjak (rashladna komora)

- Rashladna komora je pogodna za čuvanje različitog voća, povrća, pića i drugih namirnica koje se konzumiraju u kratkom roku.
- Hranu koja se kuva ne bi trebalo stavljati u rashladnu komoru dok se ne ohladi na sobnoj temperaturi.
- Preporučuje se da se hrana hermetički zatvori pre nego što se stavi u frižider.
- Staklene police se mogu pomeriti gore ili dole kako bi se dobio odgovarajući prostor za skladištenje i olakšala upotreba.

**Napomena:** Skladištenje previše hrane u uređaj nakon početnog povezivanja na struju može nepovoljno uticati na efekat zamrzavanja frižidera. Namirnice koje se skladište ne smeju blokirati izlaz za vazduh, inače će i efekat zamrzavanja biti narušen.

## Functions



### 1. Ključno

- A. Dugme za podešavanje temperature
- B. Dugme za mirovanje (standby)

### 2. Temperature icon

1. Podešavanje 1: podešena temperatura je is 8°C
2. Podešavanje 2: podešena temperatura je 6°C
3. Podešavanje 2: podešena temperatura je 4°C
4. Podešavanje 2: podešena temperatura je 3°C
5. Podešavanje 2: podešena temperatura je 2°C
6. Podešavanje 2: super hlađenje

Slika iznad je samo za referencu. Stvarna konfiguracija će zavistiti od fizičkog proizvoda ili izjave distributera.

### 3. Kada je frižider uključen:

Sve ikone temperature svetle u roku od 3 sekunde nakon uključivanja napajanja. Prilikom prvog uključivanja, podrazumevana podešena temperatura je -20°C. Nakon toga, svaki put kad pokrenete frižider, radiće u skladu sa poslednjom podešenom temperaturom pre isključivanja napajanja.

## Prikaz normalnog rada

Prilikom pojave kvara, odgovarajuće ikone će se kombinovano treperiti: kodovi greške i tipovi su prikazani kako sledi:

### Frizider:


Kód greške	Opis greške	Ekran
<b>E1</b>	Kvar senzora temperature u frižideru	Ikona "SUPER COOL" i ikona "2" sijaju istovremeno
<b>E2</b>	Kvar senzora odmrzavanja u frižideru	Ikona "SUPER COOL" i ikona "3" sijaju istovremeno
<b>E6</b>	Kvar senzora okolne temperature	Ikona "2" i ikona "4" sijaju istovremeno
<b>E7</b>	Ambient temperature sensor error	Ikona "SUPER COOL" i ikona "4" sijaju istovremeno

Ako nema kvara, ekran prikazuje temperaturu podešenu u frižideru

## Funkcija Standby

Dugim pritiskom od 10 sekundi na dugme  postavite funkciju mirovanja (standby).

## Podešavanje temperature

Podešavanje temperature će se promeniti čim pritisnete dugme . Nakon toga, frižider će raditi prema novom podešenom temperaturom nakon 15 sekundi.



## ODRŽAVANJE I NEGA APARATA

### Opšte čišćenje

- Prašina iza frižidera i na tlu će se blagovremeno čistiti kako bi se poboljšao efekat hlađenja i ušteda energije.
- Redovno proveravajte zaptivku vrata da biste bili sigurni da nema ostataka. Očistite zaptivku vrata mekom krpom navlaženom vodom sa sapunom ili razblaženim deterdžentom.
- Unutrašnjost frižidera treba redovno čistiti kako bi se izbegli mirisi.
- Isključite struju pre čišćenja unutrašnjosti, uklonite svu hranu, piće, police, fioke itd.
- Unutrašnjost frižidera očistite mekom krpom, mekom četkom i sl., a kada je potrebno, u kombinaciji sa nekim pomoćnim alatima (npr. kao tanki štapići) kako bi se osiguralo da u ovim oblastima nema akumulacije zagađivača ili bakterija.
- Za područja koja se teško čiste u frižideru (kao što su uski sendviči, praznine ili uglovi), preporučuje se redovno brisanje mekom krpom, mekom četkom i sl., a kada je potrebno, u kombinaciji sa nekim pomoćnim alatima (npr. kao tanki štapići) kako bi se osiguralo da u ovim oblastima nema akumulacije zagađivača ili bakterija.
- Nemojte koristiti sapun, deterdžent, prašak za ribanje, sredstvo za čišćenje u spreju itd., jer oni mogu izazvati mirise u unutrašnjosti frižidera ili kontaminiranu hranu.
- Okvir flaše, police i fioke očistite mekom krpom navlaženom vodom sa sapunom ili razblaženim deterdžentom. Osušite mekom krpom ili osušite prirodnim putem.

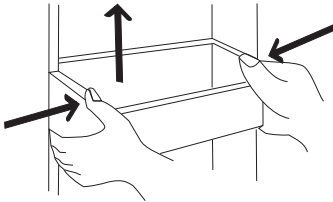
- Obrišite spoljnu površinu frižidera mekom krpom navlaženom vodom sa sapunom, deterdžentom itd., a zatim obrišite suvom.
- Nemojte koristiti čvrste četke, čiste čelične kuglice, žičane četke, abrazivna sredstva (kao što su paste za zube), organske rastvarače (kao što su alkohol, aceton, ulje banane, itd.), ključalu vodu, kiselinu ili alkalne predmete, koji mogu oštetiti frižider površina i unutrašnjost. Kipuća voda i organski rastvarači kao što je benzol mogu deformisati ili oštetiti plastične delove.
- Nemojte ispirati direktno vodom ili drugim tečnostima tokom čišćenja da biste izbegli kratke spojeve ili uticali na električnu izolaciju nakon potapanja.



Isključite frižider radi odmrzavanja i čišćenja

## Čišćenje držača za vrata, kutija za voće i povrće i fiokve

- Prema smeru strelice na slici ispod, koristite obe ruke da pritisnete fiokvu i gumete je prema gore, zatim je možete izvaditi.
- Nakon što izvadite fiokvu, operite je i zatim joj možete prilagoditi visinu instalacije prema vašim potrebama. Za čišćenje se preporučuju mekani peškiri ili sunderi umočeni u vodu i neutralna sredstva koja nisu korozivna. Zamrzivač konačno treba očistiti čistom vodom i suvom krpom. Ostavite vrata otvorena da se prirodno osuše pre nego što uključite napajanje. Nemojte koristiti tvrde četke, čelične kuglice za čišćenje, žičane četke, abrazive kao što su paste za zube, organski rastvarači (kao što su alkohol, aceton, ulje banane itd.), ključalu vodu, kiseline ili alkalne materijale za čišćenje frižidera, jer to može oštetiti površinu i unutrašnjost frižidera.



Slika iznad je samo za referencu. Stvarna konfiguracija će zavisiti od fizičkog proizvođača ili izjave distributera.

## Čišćenje staklene police

- Kako unutrašnji deo zida frižidera gde se police dodiruju ima blokadu, trebalo bi da podignete police prema gore da biste ih izvadili.
- Podesite ili očistite police prema vašim potrebama. Za čišćenje se preporučuju mekani peškiri ili sunderi umočeni u vodu i neutralna sredstva koja nisu korozivna. Zamrzivač konačno treba očistiti čistom vodom i suvom krpom. Ostavite vrata otvorena da se prirodno osuše pre nego što uključite napajanje. Nemojte koristiti tvrde četke, čelične kuglice za čišćenje, žičane četke, abrazive kao što su paste za zube, organske rastvarače (kao što su alkohol, aceton, ulje banane itd.), ključalu vodu, kiseline ili alkalne materijale za čišćenje frižidera, jer to može oštetiti površinu i unutrašnjost frižidera.

## Odmrzavanje

- Frižider je napravljen po principu vazdušnog hlađenja i samim tim ima funkciju automatskog odmrzavanja. Mraz nastao usled promene godišnjeg doba ili temperature može se ukloniti i ručno isključivanjem uređaja iz napajanja ili brisanjem suvim peškirom.

## Van rada

- Nestanak struje: U slučaju nestanka struje, čak i tokom leta, namirnice u uređaju mogu da se drže nekoliko sati; tokom nestanka struje, vreme otvaranja vrata će se smanjiti i više se ne sme stavljati sveža hrana u uređaj.
- Dugotrajno nekorišćenje: Aparat se mora isključiti iz struje, a zatim očistiti; onda se vrata ostavljaju otvorena kako bi se sprečio miris.
- Premeštanje: Pre premeštanja frižidera, izvadite sve predmete naopačke, fiksirajte staklene pregrade, držač za povrće, fioke komore za zamrzavanje itd. trakom i zategnite nožice za nivelisanje; zatvorite vrata i popravite ih trakom. Tokom pomeranja, uređaj ne sme da bude položen naopako ili horizontalno, niti da bude vibriran; nagib tokom kretanja ne sme biti veći od 45°.



Uređaj će raditi neprekidno kada se pokrene. Uopšteno, rad uređaja ne sme da se prekida; u suprotnom životni vek može biti smanjen.

## REŠAVANJE PROBLEMA

Možete pokušati sami da rešite sledeće jednostavne probleme.

Ako ih ne možete rešiti, obratite se službi za postprodaju.

Uređaj ne radi	<p>Proverite da li je uređaj povezan na struju ili da li je kontakt utikača sa utičnicom dobar</p> <p>Proverite da li je napon prenizak</p> <p>Proverite da li je došlo do nestanka struje ili iskakanja prekidača</p>
Neprijatni miris	<p>Hranu koja ima intenzivne mirise potrebno je čvrsto obmotati</p> <p>Proverite da li je hrana počela da se kvari</p> <p>Očistite unutrašnjost frižidera</p>
Dugotrajn rad kompresora	<p>Normalno je da frižider duže radi tokom leta, kada je ambijentalna temperatura povišena</p> <p>Ne preporučuje se da se odjednom stavi prevelika količina hrane u uređaj</p> <p>Ne stavljajte hranu u uređaj dok se prethodno ne ohladi</p> <p>Često otvaranje vrata frižidera</p>
Lampica ne svetli	<p>Proverite da li je frižider priključen na struju i da li je lampica oštećena</p> <p>Neka zamenu sijalice obavi stručno lice</p>
Vrata frižidera se ne mogu zatvoriti na odgovarajući način	<p>Ambalaža sa hranom blokira vrata uređaja</p> <p>Frižider je nagnut</p>



Glasni zvuci	Proverite da li je pod ravan i da li je frižider stabilan Proverite da li je dodatna oprema postavljena na odgovarajućim mestima
Zaptivka na vratima ne omogućava hermetičko zatvaranje	Uklonite strane elemente sa zaptivke za vrata Zagrejte zaptivku za vrata, a zatim je ohladite kako biste je vratili u prethodni oblik (ili, da biste je zagrejali, produvajte zaptivku električnim fenom ili je zagrejte vrelom krpom)
Prelivanje posude za vodu	U komori ima previše hrane ili hrana koja se drži u uređaju sadrži previše vode, što za rezultat ima intenzivno otapanje Vrata nisu dobro zatvorena, što za rezultat ima hvatanje inja usled upliva vazduha i povećano stvaranje vode usled otapanja
Pregrejano kućište	Toplota ugrađenog kondenzatora se rasipa kroz kućište, što je normalna pojava. Kada se kućište pregreje usled visoke ambijentalne temperature i prevelike količine hrane, preporučuje se neprekidna ventilacija, kojom se omogućava rasipanje toplote.
Formiranje površinskog kondenza	Formiranje kondenza na spoljašnjim površinama i zaptivkama na vratima frižidera predstavlja normalnu pojavu kada je koncentracija vlage u prostoriji previsoka. Jednostavno obrišite kondenz čistom krpom.
Neuobičajena buka	Zujanje: Tokom rada, kompresor može da zuji, što se posebno glasno čuje na početku i na kraju rada. Ova pojava je normalna. Škripanje: Rashladno sredstvo koje cirkuliše unutar uređaja može da proizvodi škripu, što predstavlja normalnu pojavu.

# SÄKERHETSVARNINGAR

## VARNING:



**Varning:** Brandrisk / Brandfarliga material

## REKOMMENDATIONER:

- Denna apparat är avsedd för användning i hushåll och liknande tillämpningar, såsom personalens köksområden i butiker, kontor och andra arbetsmiljöer; bondgårdar och av kunder i hotell, motell och andra bostadstypsmiljöer; bed and breakfast- typsmiljöer; catering och liknande icke-detaljhandelsapplikationer.
- Om nätkabeln är skadad måste den bytas ut av tillverkaren, dess servicetekniker eller liknande kvalificerade personer för att undvika fara.
- Förvara inte explosiva ämnen, såsom aerosolburkar med brandfarligt drivmedel, i denna apparat.
- Apparaten måste vara urkopplad efter användning och innan användaren utför underhåll på apparaten.
- **VARNING:** Se till att ventilationsöppningarna i apparatens kapsling eller inbyggda struktur inte är blockerade.
- **VARNING:** Använd inte mekaniska redskap eller andra medel för att påskynda avfrostningsprocessen, om det inte rekommenderas av tillverkaren.
- **VARNING:** Skada inte kylmedelkretsen.
- **VARNING:** Använd inte elektriska apparater inuti matförvaringsutrymmena i apparaten, om de inte är av den typ som rekommenderas av tillverkaren.
- **VARNING:** Vänligen släng apparaten enligt lokala regler och föreskrifter eftersom den använder brandfarligt bläsgas och kylmedel.
- **VARNING:** När du placerar apparaten, se till att nätkabeln inte kläms fast eller skadas.
- **VARNING:** Placera inte flera löstagbara eluttag eller portabla strömförsörjningar bakom apparaten.
- Använd inte förlängningskabler eller ojordade (tvåpoliga) adapterar.
- **FARLIGT:** Risk för att barn fastnar. Innan du kastar bort apparaten:
  - Ta bort dörrarna.
  - Lämna hyllorna på plats så att barn inte enkelt kan klättra inuti.
- Innan du försöker installera något tillbehör måste apparaten vara fränkopplad från elnätet.
- Kylmedel och cyklopentan-skummaterial som används för kylskåpet är brandfarliga. Därför ska kylskåpet vid skrotning hållas borta från alla eldkällor och återvinnas av ett specialiserat återvinningsföretag med motsvarande kvalifikationer, istället för att förstöras genom förbränning, för att förhindra skador på miljön eller annan skada.
- EN-standardin: Tämä laite voidaan käyttää 8-vuotiaista ja vanhemmista lapsista sekä henkilöistä, joilla on vähentynyt fyysinen, aistien tai henkinen kyky tai kokemattomuutta ja tietämystä, jos heitä on valvottu tai heille on annettu ohjeita laitteen turvallisesta käytöstä ja he ymmärtävät liittyvät vaarat. Lapset eivät saa leikkiä laitteella. Puhdistusta ja käyttäjän ylläpitoa ei saa suorittaa ilman valvontaa. 3-8-vuotiaat lapset voivat ladata ja purkaa jäähdytyslaitteita. • IEC-standardiin: Tämä laite ei ole tarkoitettu käytettäväksi henkilöiden (mukaan lukien lapset) kanssa, joilla on vähentynyt fyysinen, aistien tai henkinen kyky tai kokemattomuutta ja tietämystä, ellemmet heitä ole valvottu tai saaneet ohjeita laitteen käytöstä henkilöltä, joka vastaa heidän turvallisuudestaan.
  - Lapsia tulee valvoa varmistukseksi, että he eivät leiki laitteen kanssa.
  - Ohjeiden tulee sisältää seuraavat tiedot: Ruokien saastumisen välttämiseksi, noudatathan seuraavia ohjeita:
    - Pitkäaikainen oven auki pitäminen voi aiheuttaa merkittävän lämpötilan nousun laitteen osissa.
    - Puhdista säännöllisesti pinnat, jotka voivat joutua kosketuksiin ruoan kanssa, sekä käyttövesijärjestelmän saavutettavat osat.
    - Puhdista vesisäiliöt, jos niitä ei ole käytetty 48 tuntiin; huuhtelee vesi- ja käyttövesijärjestelmä, jos vettä ei ole otettu käyttöön viiteen päivään. (huomautus 1)
    - Säilytä raaka liha ja kala sopivissa astioissa jääkaapissa, jotta ne eivät ole kosketuksissa tai valuta muiden ruokien päälle.
    - Kaksi tähden (☒ ☒) pakastinlokerot ovat sopivia esijäädetytyn ruoan säilyttämiseen, jäätelön valmistamiseen ja jääpalojen tekemiseen. (huomautus 2).
    - Yksi tähden (☒), kaksi tähden (☒ ☒) ja kolme tähden (☒ ☒ ☒) lokeroita ei suositella tuoreen ruoan pakastamiseen. (huomautus 3)
    - Jos jääkaappi jää pitkäksi aikaa tyhjäksi, sammuta se, sulata, puhdista, kuivaa ja jätä ovi auki estääksesi homeen kehittymisen laitteen sisällä.

Huomautus 1, 2, 3: Vahvista, että se koskee sinun tuotteesi lokero-tyyppejä.

## Betydelsen av säkerhetsvarningssymboler



Detta är en förbjuden symbol. Om instruktionerna markerade med denna symbol inte följs kan det leda till skada på produkten eller hota användarens personliga säkerhet.



Detta är en varningssymbol. Det är nödvändigt att strikt följa instruktionerna som är märkta med denna symbol; annars kan skada på produkten eller personskada orsakas.



Detta är en försiktighetssymbol. Instruktioner som är märkta med denna symbol kräver särskild försiktighet. Otillräcklig försiktighet kan leda till mindre eller måttlig skada, eller skada på produkten.

Denna manual innehåller mycket viktig säkerhetsinformation som användarna bör följa.

## Varningar relaterade till elektricitet

- Dra inte i nätkabeln när du drar ur nätkontakten för kylskåpet. Greppa fast i kontakten och dra direkt ur den ur vägguttaget.
- För säker användning, skada inte nätkabeln eller använd den om den är skadad eller sliten.
- Använd en dedikerad eluttag och dela inte eluttaget med andra elektriska apparater.
- Kontakten ska vara ordentligt ansluten till uttaget, annars kan brand uppstå.
- Se till att jordningsstiftet på eluttaget är utrustat med en pålitlig jordningsledning.
- Stäng av ventil för läckande gas och öppna sedan dörrar och fönster om det uppstår gasläckage eller läckage av andra brandfarliga gaser. Dra inte ur kylskåpet och andra elektriska apparater, eftersom gnistor kan orsaka brand.
- Använd inte elektriska apparater ovanpå kylskåpet, om de inte är av den typ som rekommenderas av tillverkaren.

## Varningar vid användning

- Demontera eller omkonstruera inte kylskåpet på eget bevåg, skada inte heller kylmedelkretsen. Underhåll av apparaten måste utföras av en specialist.
- En skadad nätkabel måste bytas ut av tillverkaren, dess serviceavdelning eller relaterade yrkespersoner för att undvika fara.
- Spalten mellan kylskåpsdörrarna och mellan dörrarna och kylskåpskroppen är små, se till att inte placera handen i dessa områden för att undvika att klämma fingret. Var försiktig när du öppnar kylskåpsdörren för att undvika att föremål faller.
- Plocka inte mat eller behållare med våta händer i fryskammaren när kylskåpet är igång, särskilt inte metallbehållare för att undvika köldskador.
- Tillåt inte barn att klättra in i eller klättra på kylskåpet, eftersom detta kan leda till kvävning eller fallskador för barnet.
- Placera inte tunga föremål på toppen av kylskåpet, eftersom föremål kan falla när du öppnar eller stänger dörren, och olycksfall kan orsakas.
- Dra ut kontakten vid strömavbrott eller rengöring. Koppla inte in frysen i strömförsörjningen inom fem minuter för att förhindra skador på kompressorn på grund av upprepade starter.

## Varningar för placering

- Placera inte brandfarliga, explosiva, flyktiga och högt korrosiva föremål i kylskåpet för att förebygga skador på produkten eller brandolyckor.
- Placera inte brandfarliga föremål nära kylskåpet för att undvika brandrisker.
- Kylskåpet är avsett för hushållsbruk, som förvaring av livsmedel; det får inte användas för andra ändamål, som förvaring av blod, läkemedel eller biologiska produkter, etc.
- Placera inte öl, drycker eller andra vätskor som finns i flaskor eller slutna behållare i fryskammaren i kylskåpet; annars kan flaskorna eller behållarna spricka på grund av frykning och orsaka skador. damages to the product or fire accidents.

## Varningar för energi

1. Kylskåp kan fungera inkonsekvent (möjlighet till frostning av innehållet eller att temperaturen blir för varm i frysdelen) när de placeras under en längre tid vid temperaturer som är kallare än den kalla änden av temperaturområdet för vilket kylskåpet är konstruerat.
2. Observera att kolsyrade drycker inte bör förvaras i matfrysar eller lågtemperaturfack, och att vissa produkter som vattenisar inte bör konsumeras för kallt.
3. Följ rekommendationerna från livsmedelstillverkarna gällande förvaringstider för alla typer av mat, särskilt för kommersiellt snabbfrost mat i frys- och frysack.
4. Vid avfrostning av kylskåpet, se till att temperaturen på den frysta maten inte ökar för mycket, t.ex. genom att linda in den frysta maten i flera lager tidningar.
5. Observera att en ökning av temperaturen på den frysta maten under manuell avfrostning, underhåll eller rengöring kan förkorta förvaringstiden.
6. Om kylskåpsdörrar eller lock är utrustade med lås och nycklar, se till att hålla nycklarna utom räckhåll för barn och inte i närheten av kylskåpet för att förhindra att barn blir inlåsta.

## Varningar vid bortskaffning



Kylmedel och skummaterial som används i kylskåpet är brandfarliga. Därför, när kylskåpet ska skrotas, ska det hållas borta från alla eldkällor och återvinnas av ett specialiserat företag med motsvarande kvalifikationer istället för att förbrännas, för att förebygga skador på miljön eller annan skada.



När kylskåpet skrotas, demontera dörrarna och ta bort tätningen och hyllorna. Placera dörrarna och hyllorna på en lämplig plats för att förhindra att något barn fastnar.



Korrekt bortskaffande av denna produkt:

Denna markering indikerar att denna produkt inte bör kasseras med andra hushållsavfall inom EU. För att förhindra möjlig skada på miljön eller mänsklig hälsa från okontrollerad avfallshantering, återvinn den ansvarsfullt för att främja hållbar återanvändning av materialresurser. För att returnera din använda enhet, använd retur- och insamlingssystemen eller kontakta återförsäljaren där produkten köptes. De kan ta emot produkten för miljösäker återvinning.



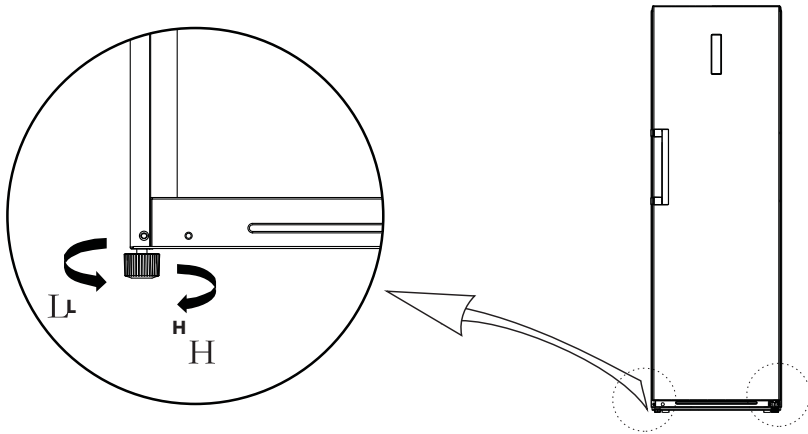
# KORREKT ANVÄNDNING AV KYLSKÅP

## Placering

- Innan användning, ta bort all förpackningsmaterial, inklusive bottenkuddar, skumkuddar och tejp inuti kylskåpet; ta bort skyddsfilmen på dörrarna och kylskåpets kropp.
- Håll avstånd från värme och undvik direkt solljus. Placera inte frysen på fuktiga eller vattensprutande platser för att förhindra rostbildning eller försämring av isoleringseffekten.
- Spraya inte eller tvätta kylskåpet; placera inte kylskåpet på fuktiga platser som kan bli utsprutade med vatten för att inte påverka kylskåpets elektriska isoleringsegenskaper.
- Kylskåpet placeras inomhus på en välventilerad plats; golvet bör vara plant och stabilt (justera hjulet genom att rotera vänster eller höger för att nivåjustera om det är ostadigt).
- Det övre utrymmet ovanför kylskåpet bör vara större än 30 cm, och kylskåpet bör placeras mot en vägg med ett fritt avstånd på mer än 10 cm för att underlätta värmeavledning.

## Nivelleringsfötter

1. Försiktighetsåtgärder före användning: Innan användning av tillbehör måste kylskåpet vara fränkopplat från strömförsörjningen. Innan du justerar nivelleringsfötterna bör försiktighet vidtas för att undvika personskador.
2. Schematisk diagram över nivelleringsfötterna.

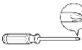

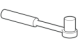



Bilden ovan är endast för referens. Den faktiska konfigurationen kommer att bero på den fysiska produkten eller informationen från distributören.

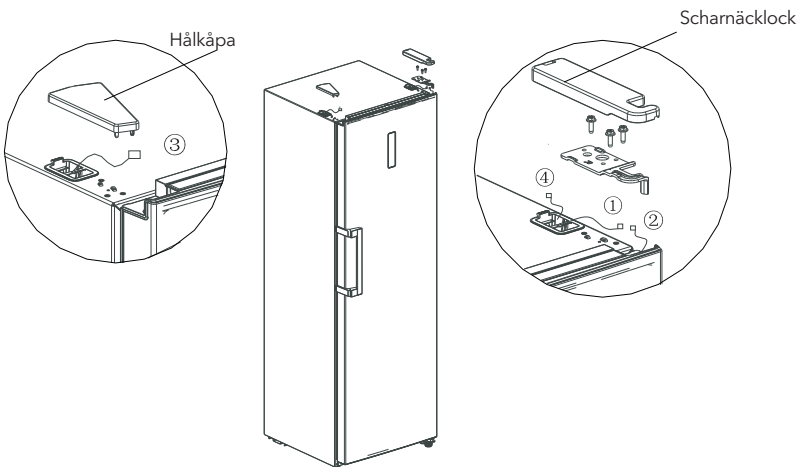
### 3. Justeringsförfaranden:

- a. Vrid fötterna medurs för att höja kylskåpet;
- b. Vrid fötterna moturs för att sänka kylskåpet;
- c. Justera höger och vänster fötter enligt ovanstående förfaranden för att få en horisontell nivå.

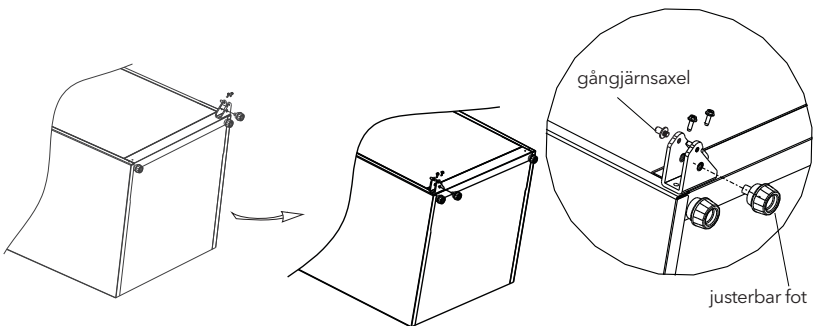
## 2.4 Byte av dörrhängning (höger-vänster)

Lista över verktyg som ska tillhandahållas av användaren			
	Kryssmejsel		Spackelspade Tunnbladig skruvmejsel
	5/16" Hylsnyckel och ratchet		Maskeringstejp

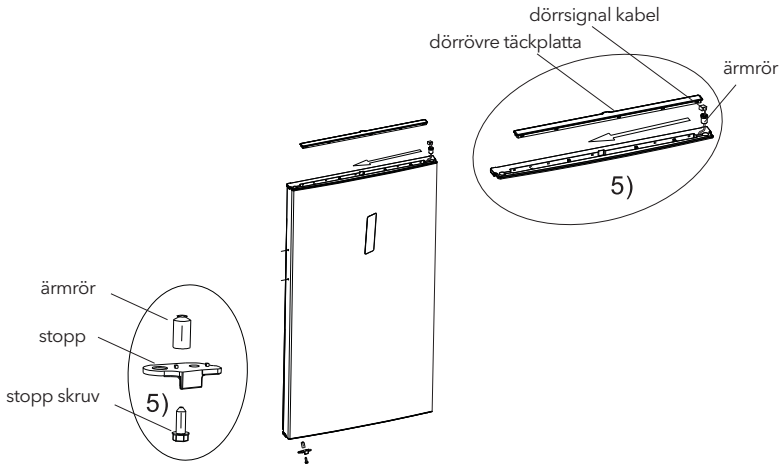
1. Stäng av strömmen till kylskåpet och ta bort alla föremål från dörrhyllorna.
2. Ta bort skruvhålskåporna, skruvarna och handtaget, och ta bort de plastiska skruvhålskåporna från den andra sidan. Se kapitel 2.2 för mer information.
3. Ta isär övre gångjärnsskyddet, skruvarna och det övre gångjärnet, och ta bort hållocket från den andra sidan. Koppla ur kopplingskontakten på höger sida av kylskåpets ovasida (1, 2, opplingskontakt).



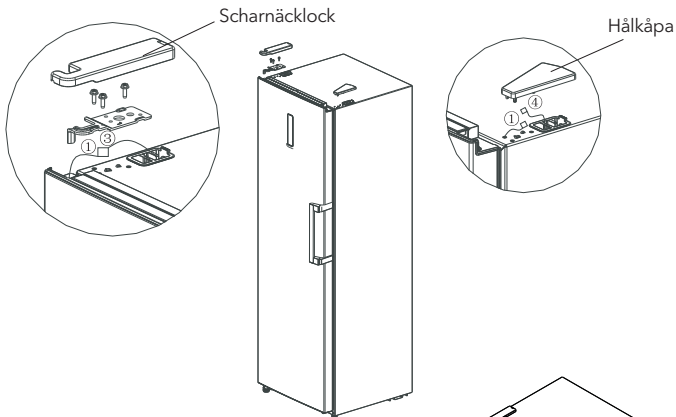
4. Ta isär dörren och den högra nedre gångjärnsförsamlingen (gångjärnsaxel och justerbar fot och gångjärn) och montera gångjärnsaxeln och den justerbara foten på den andra sidan av gångjärnet, sedan montera hela gångjärnsförsamlingen på den andra sidan av kylskåpet.



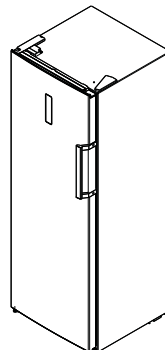
5. Ta bort dörrändskyddet, montera den övre gångjärnshylsan och dörsignalen på den andra sidan och montera tillbaka dörrändskyddet. Ta isär dörrstoppet och hylsröret från den högra nedre delen av dörren, sätt in hylsröret i gångjärnshålet på den vänstra nedre delen av dörren och montera tillbaka dörrstoppet på den vänstra nedre delen av dörren.



6. Ta ut den vänstra övre gångjärnet och den vänstra övre gångjärnshuvudet från tillbehörspaketet, placera dörren på det nedre gångjärnet och montera det vänstra övre gångjärnet. Anslut signalledningsterminal 3 till signalledningsterminal 2. Anslut signalledningsterminal 1 till signalledningsterminal 4. Montera den övre gångjärnshuvudet och hylsans lock.

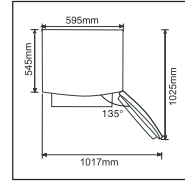


7. För montering av handtaget, vänligen se kapitel 2.2.



## Börja använda den

- Innan första användning, låt kylskåpet stå stilla i en halvtimme innan du ansluter det till strömförsörjningen.
- Innan du lägger i några färska eller frysta livsmedel ska kylskåpet ha kört i 2-3 timmar, eller över 4 timmar på sommaren när omgivningstemperaturen är hög.
- Se till att det finns tillräckligt med utrymme för att enkelt kunna öppna dörrarna och lådorna.
- Bilden ovan är endast för referens. Den faktiska konfigurationen beror på den fysiska produkten eller informationen från återförsäljaren.

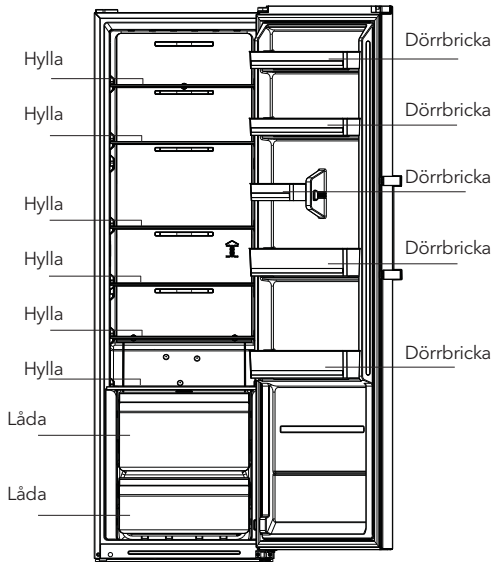


## Energibesparande tips

- Apparaten bör placeras i det svalaste området av rummet, borta från apparater som producerar värme eller uppvärmningskanaler, samt bort från direkt solljus.
- Låt varm mat svalna till rumstemperatur innan du placerar den i apparaten. Att överbelasta apparaten tvingar kompressorn att köra längre. Livsmedel som fryser för långsamt kan förlora kvalitet eller bli dåliga.
- Se till att linda in maten ordentligt och torka av behållarna innan du placerar dem i apparaten. Detta minskar frostbildningen inne i apparaten.
- Apparatus förvaringsfack ska inte kläs med aluminiumfolie, vaxpapper eller hushållspapper. Dessa material stör cirkulationen av kall luft och gör apparaten mindre effektiv.
- Organisera och märk maten för att minska antalet gånger dörren öppnas och förlänga sökningarna.
- Ta ut så många föremål som behövs på en gång och stäng dörren så snabbt som möjligt.

## STRUKTUR OCH FUNKTIONER

### Nyckelkomponenter



Bilden ovan är endast för referens. Den faktiska konfigurationen kommer att bero på den fysiska produkten eller uttalandet från distributören.

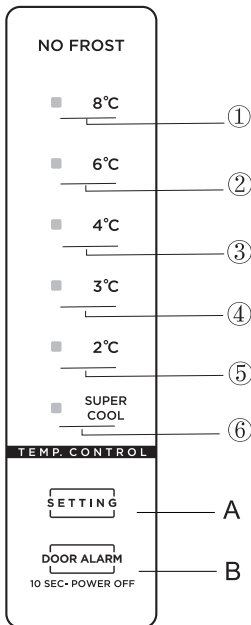


### Kylkammare

- Kylkammaren är lämplig för förvaring av olika frukter, grönsaker, drycker och andra livsmedel som konsumeras på kort sikt.
- Mat som lagas bör inte placeras i kylkammaren förrän den har svalnat till rumstemperatur.
- Livsmedel rekommenderas att förseglas innan de placeras i kylskåpet.
- Glasställen kan justeras upp eller ner för att skapa lämpligt förvaringsutrymme och enkel användning.

**Observera:** Förvaring av för mycket mat vid drift efter den initiala anslutningen till ström kan påverka fryseffekten av kylskåpet negativt. Livsmedel som förvaras får inte blockera luftutloppet; annars kan fryseffekten påverkas negativt.

## Functions



### 1. Nyckel

- A. Temperaturinställningsknapp och Kylskåp/Frysack-omkopplingsknapp
- B. Standby-knapp

### 2. Temperaturikon

1. Inställning 1: inställd temperatur är 8°C
2. Inställning 2: inställd temperatur är 6°C
3. Inställning 2: inställd temperatur är 4°C
4. Inställning 2: inställd temperatur är 3°C
5. Inställning 2: inställd temperatur är 2°C
6. Inställning 2: Superkyla

Bilden ovan är endast för referens. Den faktiska konfigurationen kan variera beroende på den fysiska produkten eller informationen från distributören.

### 3. När kylskåpet är igång:

Alla temperaturikoner lyser inom 3 sekunder efter att kylskåpet har slagits på. Vid första igångsättning är standardinställningen 4°C. Efter det kommer kylskåpet att fungera enligt den senaste inställda temperaturen innan den senaste avstängningen.

## Visning av normal drift

Vid fel uppstår kommer de motsvarande ikonerna att blinka i kombination: felkoder och typer visas enligt följande:

### Kylskåp


Felkod	Felbeskrivning	Visning
<b>E1</b>	Fel på temperatursensorn i kylskåpsutrymmet	Ikon „SUPER/COOL“ & Ikon "2" lysas samtidigt
<b>E2</b>	Fel på avfrostningssensorn i kylskåpsutrymmet	Ikon „SUPER/COOL“ & Ikon "3" lysas samtidigt
<b>E6</b>	Kommunikationsfel	Ikon "2" & Ikon "4" lysas samtidigt
<b>E7</b>	Fel på omgivande temperatursensor	Ikon „SUPER/COOL“ & Ikon "4" lysas samtidigt

Om det inte finns några fel visar skärmen den inställda temperaturen för kylrummet.

## Standby-funktion

Tryck och håll ned standby-knappen  i 10 sekunder för att aktivera standby-funktionen.

## Temperaturinställning

Temperaturinställningen ändras när du trycker på knappen . Sedan kommer kylskåpet att köra enligt den nya temperaturinställningen efter 15 sekunder.



# UNDERHÅLL OCH SKÖTSEL AV APPARATEN

## Övergripande rengöring

- Dammet bakom kylskåpet och på golvet bör rengöras regelbundet för att förbättra kylningseffekten och energibesparingen.
- Kontrollera regelbundet dörrtätningen för att säkerställa att det inte finns några skräp. Rengör dörrtätningen med en mjuk trasa fuktad med såpvatten eller utspädd rengöringsmedel.
- Interiören i kylskåpet bör rengöras regelbundet för att undvika lukt.
- Stäng av strömmen innan du rengör interiören, ta bort all mat, dryck, hyllor, lådor, etc.
- Använd en mjuk trasa eller svamp för att rengöra insidan av kylskåpet med två matskedar bikarbonat och en liter varmt vatten. Skölj sedan med vatten och torka rent. Efter rengöring, öppna dörren och låt den torka naturligt innan du slår på strömmen igen.
- För områden som är svåra att rengöra i kylskåpet (som smala springor, glipor eller hörn), rekommenderas att torka dem regelbundet med en mjuk trasa, mjuk borste, etc., och vid behov kombinera med några hjälpvertyg (som tunna pinnar) för att säkerställa att inga föroreningar eller bakterieansamlingar bildas i dessa områden.
- Använd inte tvål, rengöringsmedel, skurpulver, sprayrengöringsmedel, etc., eftersom dessa kan orsaka lukt i kylskåpets interiör eller föroreningarna.
- Rengör flaskhyllan, hyllorna och lådorna med en mjuk trasa fuktad med såpvatten eller utspädd rengöringsmedel. Torka med en mjuk trasa eller låt torka naturligt.

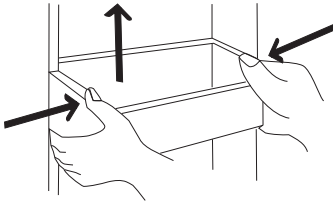
- Torka av utsidan av kylskåpet med en mjuk trasa fuktad med såpvatten, rengöringsmedel, etc., och torka sedan torrt.
- Använd inte hårda borstar, stålull, trådborstar, slipmedel (som tandkräm), organiska lösningsmedel (som alkohol, aceton, bananolja, etc.), kokande vatten, syror eller alkaliska föremål, vilket kan skada kylskåpets yta och interiör. Kokande vatten och organiska lösningsmedel som bensen kan deformera eller skada plastdelar.
- Skölj inte direkt med vatten eller andra vätskor under rengöringen för att undvika kortslutning eller påverka elektrisk isolering efter nedsänkning.



Vänligen dra ut kontakten till kylskåpet innan avfrostning och rengöring

## Rengöring av dörrbricka, låda för frukt och grönsaker samt låda

- Enligt riktningspilen i bilden nedan, använd båda händerna för att klämma på brickan och tryck den uppåt för att ta ut den.
- Efter att ha tagit ut brickan kan du justera dess monteringshöjd enligt dina önskemål.
- Mjuka handdukar eller svampar doppade i vatten och icke-korrosiva neutrala rengöringsmedel rekommenderas för rengöring. Frysutrymmet ska slutligen rengöras med rent vatten och torr trasa. Öppna dörren för naturlig torkning innan strömmen slås på. Använd inte hårda borstar, stålull, ståltrådsborstar, slipmedel som tandkrämer, organiska lösningsmedel (som alkohol, aceton, bananolja osv.), kokande vatten, sura eller alkaliska ämnen för att rengöra kylskåpet, eftersom detta kan skada kylskåpets yta och interiör.



Bilden ovan är endast för referens. Den faktiska configurationen kan variera beroende på den fysiska produkten eller informationen från återförsäljaren.

## Rengöring av glashylla

- Eftersom den innersta delen av kylskåpets inre där hyllorna är i kontakt har en stoppplats, måste du lyfta hyllorna uppåt för att kunna ta ut dem.
- Justera eller rengör hyllorna enligt dina önskemål. Mjuka handdukar eller svampar som är fuktade med vatten och icke-korrosiva neutrala rengöringsmedel rekommenderas för rengöring. Frysens ska avslutningsvis rengöras med rent vatten och en torr trasa. Öppna dörren för naturlig torkning innan du slår på strömmen. Använd inte hårda borstar, stålballar, trådborstar, slipmedel, såsom tandkräm, organiska lösningsmedel (t.ex. alkohol, aceton, bananolja osv.), kokande vatten, sura eller alkaliska ämnen för att rengöra kylskåpet eftersom detta kan skada kylskåpets yta och interiör.

## Avfrostning

- Kylskåpet är konstruerat med luftkyllning och har därför en automatisk avfrostningsfunktion. Frost som bildas på grund av temperaturförändringar eller årstidsväxlingar kan också tas bort manuellt genom att koppla från apparaten från strömförsörjningen eller genom att torka av med en torr handduk.

## Utan drift

- Strömavbrott: Vid strömavbrott kan maten inuti kylskåpet hållas fräsch under flera timmar, även om det är sommar. Under strömavbrottet bör antalet gånger man öppnar dörren minskas, och ingen färsk mat bör sättas in i kylskåpet.
- Långvarig icke-användning: Kylskåpet ska dras ur eluttaget och rengöras. Därefter ska dörrarna lämnas öppna för att förhindra dålig lukt.
- Flyttning: Innan kylskåpet flyttas, ska alla objekt tas ut, och glashyllorna, grönsakshållaren, frysutrymmets lådor osv. ska fästas med tejp och de justerbara fötterna ska spännas åt. Stäng dörrarna och fäst dem med tejp. Under flyttningen får kylskåpet inte placeras upp och ned eller horisontellt, eller vibreras. Lutningen under flyttningen får inte överstiga 45°.



Apparaten ska fungera kontinuerligt så snart den startas. Generellt sett bör driften av apparaten inte avbrytas; annars kan livslängden påverkas negativt.

## FELSÖKNING

Du kan försöka lösa följande enkla problem själv.

Om de inte kan lösas, kontakta eftermarknadsavdelningen.

Misslyckad funktion	Kontrollera om apparaten är ansluten till ström eller om kontakten är ordentligt ansluten Kontrollera om spänningen är för låg Kontrollera om det har varit strömavbrott eller om delar av kretsarna har lösts ut
Lukt	Odörra livsmedel bör vara tätt förpackade. Kontrollera om det finns någon rutten mat. Rengör insidan av kylskåpet.
Långvarig drift av kompressorn	Lång drifttid för kylskåpet är normalt under sommaren när omgivningstemperaturen är hög. Det rekommenderas inte att ha för mycket mat i apparaten samtidigt. Maten bör kylas innan den placeras i kylskåpet. Undvik att öppna dörrarna för ofta.
Ljuset lyser inte	Kontrollera om kylskåpet är anslutet till strömförsörjningen och om belysningslampan är skadad. Låt en specialist byta ut ljuset om det behövs.
Dörrarna kan inte stängas ordentligt	Dörren fastnar på matförpackningar. Se till att kylskåpet står plant och inte är lutat. Flytta eventuellt matförpackningarna så att de inte blockerar dörren.
Högt ljud	Kontrollera om golvet är plant och om kylskåpet är stabilt placerat. Se till att tillbehören är placerade på rätt platser inuti kylskåpet.
Tätningen på dörren är inte tät	Ta bort främmande föremål från dörrtätningen. Värm upp dörrtätningen och låt den sedan svalna för att återställa den (eller använd en elektrisk tork eller en varm handduk för uppvärmning).
Vattenpannan överfylls	Det är för mycket mat i kamrar eller maten som förvaras innehåller för mycket vatten, vilket leder till tung frostbildning. Dörrarna är inte ordentligt stängda, vilket leder till frostbildning på grund av att luft kommer in och ökad vattenbildning på grund av avfrostning.
Varm utsida	Värmeavledningen från den inbyggda kondensorn sker via höljet, vilket är normalt. När höljet blir varmt på grund av hög omgivande temperatur och förvaring av för mycket mat, rekommenderas det att ge god ventilation för att underlätta värmeavledning.

Ytkondensation	Kondens på utsidan och tätningarna på kylskåpet är normalt när luftfuktigheten i omgivningen är för hög. Torka bara bort kondensvattnet med en ren handduk.
Onormalt ljud	Brummande: Kompressorn kan producera brummande ljud under drift, och dessa ljud är särskilt högljudda vid start och stopp. Detta är normalt. Knarrande: Kylmediet som strömmar inuti apparaten kan producera knarrande ljud, vilket är normalt.

TESLA

[tesla.info](https://tesla.info)

