

TESLA

UPRIGHT FREEZER

RU0900ME

User Manual

ENG

BG

BiH/
CG

HU

MK

RO

SLO

SRB



Product images are for illustrative purposes only and may differ from the actual product.

Dear customer:

Thank you for buying this upright freezer. To ensure that you get the best results from your new freezer, please take time to read through the simple instructions in this booklet.

Please ensure that the packing material is disposed of in accordance with the current environmental requirements.

When disposing of any Freezer equipment please contact your local waste disposal department for advice on safe disposal.

This appliance must be only used for its intended purpose.

This appliance is intended to be used in household and similar applications such as

- staff kitchen areas in shops, offices and other working environments;
- farm houses and by clients in hotels, motels and other residential type environments;
- bed and breakfast type environments;
- catering and similar non-retail applications.

SAFETY WARNINGS

WARNING:



Warning: risk of fire / flammable materials


- This appliance is intended to be used in household and similar applications such as staff kitchen areas in shops, offices and other working environments; farm houses and by clients in hotels, motels and other residential type environments; bed and breakfast type environments; catering and similar non-retail applications.
- If the supply cord is damaged, it must be replaced by the manufacturer, its service agent or similarly qualified persons in order to avoid a hazard.
- Do not store explosive substances such as aerosol cans with a flammable propellant in this appliance.
- The appliance has to be unplugged after use and before carrying out user maintenance on the appliance.
- WARNING: Keep ventilation openings, in the appliance enclosure or in the built-in structure, clear of obstruction.
- WARNING: Do not use mechanical devices or other means to accelerate the defrosting process, other than those recommended by the manufacturer.
- WARNING: Do not damage the refrigerant circuit.
- WARNING: Do not use electrical appliances inside the food storage compartments of the appliance, unless they are of the type recommended by the manufacturer.
- WARNING: Please abandon the refrigerator according to local regulators for its use flammable blowing gas and refrigerant.
- WARNING: When positioning the appliance, ensure the supply cord is not trapped or damaged
- WARNING: Do not locate multiple portable socket-outlets or portable power supplies at the rear of the appliance.
- Do not use extension cords or ungrounded (two prong) adapters.
- DANGER: Risk of child entrapment. Before you throw away your old refrigerator or freezer:
 - Take off the doors.
 - Leave the shelves in place so that children may not easily climb inside.
- The refrigerator must be disconnected from the source of electrical supply before attempting the installation of accessory.
- Refrigerant and cyclopentane foaming material used for the refrigerator are flammable. Therefore, when the refrigerator is scrapped it shall be kept away from any fire source and be recovered by a special recovering company with corresponding qualification other than be disposed by combustion, so as to prevent damage to the environment or any other harm.
- For EN standard: This appliance can be used by children aged from 8 years and above and persons with reduce physical sensory or mental capabilities or lack of experience and knowledge if they have been given supervision or instruction concerning use of the appliance in a safe way and understand the hazards involved. Children shall not play with the appliance. Cleaning and user maintenance shall not be made by children without supervision. Children aged from 3 to 8 years are allowed to load and unload refrigerating appliances.
- For IEC standard: This appliance is not intended for use by persons (including children) with reduced physical, sensory or mental capabilities, or lack of experience and knowledge, unless they have been given




supervision or instruction concerning use of the appliance by a person responsible for their safety.)

- Children should be supervised to ensure that they do not play with the appliance. The instructions shall include the substance of the following: To avoid contamination of food, please respect the following instructions:
 - Opening the door for long periods can cause a significant increase of the temperature in the compartments of the appliance.
 - Clean regularly surfaces that can come in contact with food and accessible drainage systems.
 - Clean water tanks if they have not been used for 48 h; flush the water system connected to a water supply if water has not been drawn for 5

days. (note 1)

-Store raw meat and fish in suitable containers in the refrigerator, so that it is not in contact with or drip onto other food.

- Two-star  frozen-food compartments are suitable for storing pre-frozen food, storing or making ice-cream and making ice cubes. (note 2)

- One , two  and three-star  compartments are not suitable for the freezing of fresh food. (note 3)

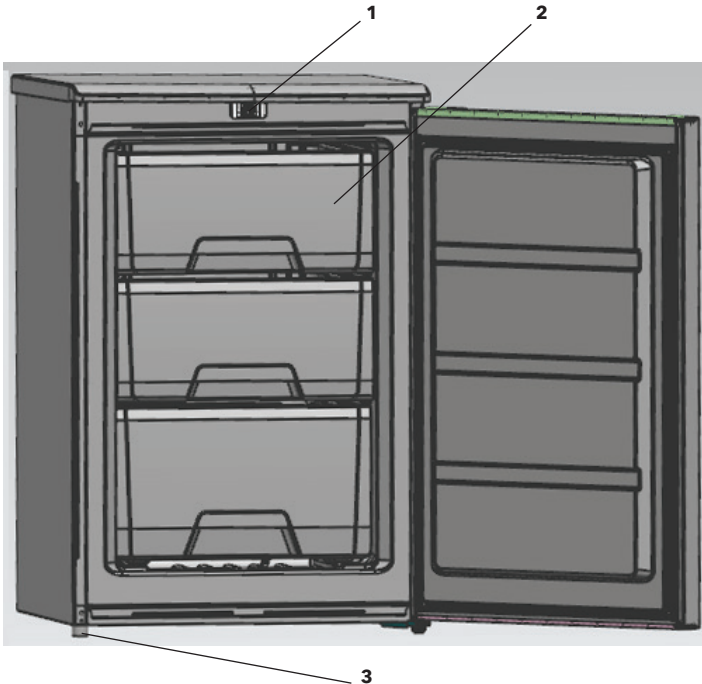
- If the refrigerating appliance is left empty for long periods, switch off, defrost, clean, dry, and leave the door open to prevent mould developing within the appliance.

Note 1,2,3 - Please confirm whether it is applicable according to your product compartment type.

GENERAL

This type of refrigerator is widely used in places such as hotels ,offices, student dormitories and houses. It is mostly suitable for refrigerating and preserving foods such as fruits and beverage. It enjoys the advantages of small size, Lightweight, Low electric consumption and easy use.

MAIN CONFIGURATION



1.Thermostat 2.Drawer 3. Leveler leg

UNPACKING YOUR FREEZER

WARNING: Use two or more people to move Freezer.

Failure to do so can result in back or other injury.

- Remove tape and any labels from your Freezer before using(except the rating label).
- To remove any remaining tape or glue, rub the area briskly with your thumb.
- Tape or glue residue can also be easily removed by rubbing a small amount of liquid dish soap over the adhesive with your fingers. Wipe with warm water and dry.
- Do not use sharp instruments, rubbing alcohol, flammable fluids, or abrasive cleaners to remove tape or glue. These products can damage the surface of your Freezer.
- When moving the Freezer, do not tilt the Freezer beyond 45° from upright position.

CLEANING BEFORE USE

After you remove all of the packaging materials, (especially the foam between outside condenser and cabinet should be removed) clean the inside of your Freezer before using it.

SPACE REQUIREMENTS

WARNING: Keep flammable materials and vapors, such as gasoline, away from Freezer.

Failure to do so can result in death, explosion, fire or burns.

- To ensure proper ventilation for your Freezer, allow for 200mm space on each side between walls, 200mm space between back of your Freezer and the wall, and 300mm space between counter top and the roof or ceiling.
- If you are installing your Freezer next to a fixed wall, leave sufficient space on the hinge side to allow for the door to swing open.
- Never install your Freezer near heat source and direct sun shins.

ELECTRICAL REQUIREMENT

WARNING: DO NOT REMOVE GROUND PRONG.

DO NOT USE AN ADAPTOR.

DO NOT USE EXTENSION CORD.

Failure to follow these instructions can result in death, fire or electrical shock.

Before you move your Freezer into its final location, it is important to make sure you have the proper electrical connection.

Recommended Earthing Method

A 220~240 Volt /50 Hz AC only 10 ampere fused and properly earthed electrical supply is required. It is recommended that a separate circuit serving only this appliance be provided. Use a receptacle which cannot be turned off with a switch or pull chain. Do not use an extension cord.

NOTE

Before performing any type of installation, disconnect the Freezer from the electrical source. When you are finished, connect the Freezer to the electrical source and reset the control to the desired setting.

LEVELING

If the Freezer is not leveled during installation. The doors may not close or seal properly, causing cooling, frost, or moisture problems. It is very important of the Freezer to be level in order to function properly. To level your Freezer you may either turn the level leg clockwise to raise that side to the Freezer or turn counter - clockwise to lower that side.

NOTE

Having someone push against the top of the Freezer take some weight off the leveling leg. This makes it easier to adjust the leveling leg.

USE OF THE APPLIANCE

To obtain the best possible results form your Freezer, it is important that you operate it properly.

Temperature Control (optional)

The temperature in the freezer is controlled by the thermostat control knob.It is loaded in the top-front of the freezer. Turn the thermostat control knob up or down to regulate the temperature inside the freezer. The markings on control knob indicated the "1~4" for the different temperature grades. The temperature decreases with position "1" being the warmest and position "4" being the coldest. Set the control to position between "1" and "4" for normal use, the exact position is beyond the temperature in the freezer, generally , choose the number"2".

The temperature in the freezer is controlled by the thermostat control knob.It is loaded in the top-front of the freezer. Turn the thermostat control knob up or down to regulate the temperature inside the freezer. The markings on control knob indicated the "cold~colder" for the different temperature grades. The temperature decreases with position "cold" being the warmest and position "colder" being the coldest. Set the control to position between "cold" and "colder" for normal use, the exact position is beyond the temperature in the freezer, generally , choose the "

Store Frozen Food (optional)

When using the freezer for the first time or after defrosting, turn the temperature control to set "4" for at least two hours before introducing the food to be stored.

All frozen food products you purchase should be placed in the freezer as soon as possible to avoid the frozen food from defrosting. Storage recommendation printed on the packaging of frozen food by the manufacturers should be always be followed.

Be careful that the drawer mustn't mangle the refrigeration pipeline

When using the freezer for the first time or after defrosting, turn the temperature control to set "colder" for at least two hours before introducing the food to be stored.

Freezing Fresh Food

Ensure that your freezing operations are carried out under the most hygienic conditions as freezing alone does not sterilize the food. It is advisable to freeze the food by packing it into separate meal portions and not in bulk form. Never put hot or even warm foodstuffs into the freezer. Prior to storing the frozen food, pack it in plastic bags, aluminum sheets or freezing containers and place into the freezer. See the data sheet at the rear of this booklet for the maximum permissible amount in kilograms of fresh food that can be frozen in any 24 hour period with a room temperature of 25°C. Never freeze more than the maximum permissible.

 **NOTE**

Never put bottled food or drinks in the freezer compartment. For best performance, leave enough space in the Freezer compartment for air to circulate around the packages.

Notice: You can use it without drawer under some conditions.

Defrosting

Remove the mains plug from the wall socket, open the door and remove all the food to a cool place.

Defrost using a plastic scraper, or let the temperature rise naturally until the frost melts. Then wipe away the remaining ice and water, after this plug the freezer back into the mains supply.

 **NOTE**

To avoid damaging the freezing compartment wall, do not use any sharp objects to remove the frost or separate the frozen food.

Cleaning your freezer

Before you start to clean your freezer remove the mains plug from the power supply.

- Dusts behind the refrigerator and on the ground shall be timely cleaned to improve the cooling effect and energy saving.
- Check the door gasket regularly to make sure there are no debris. Clean the door gasket with a soft cloth dampened with soapy water or diluted detergent.
- The interior of the refrigerator should be cleaned regularly to avoid odor.
- Please turn off the power before cleaning interior, remove all foods, drinks, shelves, drawers, etc.
- Use a soft cloth or sponge to clean the inside of the refrigerator, with two tablespoons of baking soda and a quart of warm water. Then rinse with water and wipe clean. After cleaning, open the door and let it dry naturally before turning on the power.
- For areas that are difficult to clean in the refrigerator (such as narrow sandwiches, gaps or corners), it is recommended to wipe them regularly with a soft rag, soft brush, etc. and when necessary, combined with some auxiliary tools (such as thin sticks) to ensure no contaminants or bacterial accumulation in these areas.
- Do not use soap, detergent, scrub powder, spray cleaner, etc., as these may cause odors in the interior of the refrigerator or contaminated food.
- Clean the bottle frame, shelves and drawers with a soft cloth dampened with soapy water or diluted detergent. Dry with a soft cloth or dry naturally.
- Wipe the outer surface of the refrigerator with a soft cloth dampened with soapy water, detergent, etc., and then wipe dry.
- Do not use hard brushes, clean steel balls, wire brushes, abrasives (such as toothpastes), organic solvents (such as alcohol, acetone, banana oil, etc.), boiling water, acid or alkaline items, which may damage the fridge surface and interior. Boiling water and organic solvents such as benzene may deform or damage plastic parts.
- Do not rinse directly with water or other liquids during cleaning to avoid short circuits or affect electrical insulation after immersion.

PROLONGED OFF PERIODS

If the freezer is not in use for a long period of time, proceed as follows:

Disconnect the freezer from the main supply by removing the plug from the wall socket.

Clean and dry the inside as instructed under the heading of cleaning the Freezer.

Leave the door open to prevent any unpleasant smells from building up while the freezer is not in use.

TROUBLESHOOTING

In case of malfunction, you can solve many common problems easily.

Your Freezer will not operate

- Check if the power supply cord is unplugged.

The doors will not close completely

Check if:

- The drawers are out of position.
- The gaskets are dirty.
- The Freezer is not level.

The freezer is noisy when running

- Check the freezer is level and it is not in contact with another appliance or kitchen furniture.

The freezer does not cool sufficiently

Check if:

- If the door has been opened too often, or it has been left open for a while it will take time for the freezer to reach its set temperature.
- Check the airflow the rear of the freezer has not been reduced due to insufficient clearance.

The following characteristics should not be looked upon as a problem.

- A gentle tricking sound caused by coolant flowing the pipe.
- Compressor operating at high temperature.

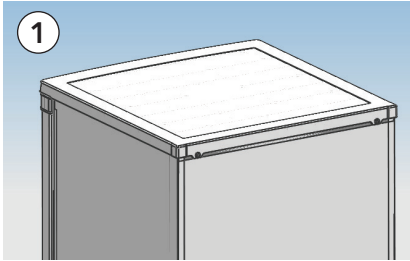


Correct Disposal of this product

This marking indicates that this product should not be disposed with other household wastes throughout the EU. To prevent possible harm to the environment or human health from uncontrolled waste disposal, recycle it responsibly to promote the sustainable reuse of material resources. To return your used device, please use the return and collection systems or contact the retailer where the product was purchased. They can take this product for environmental safe recycling.

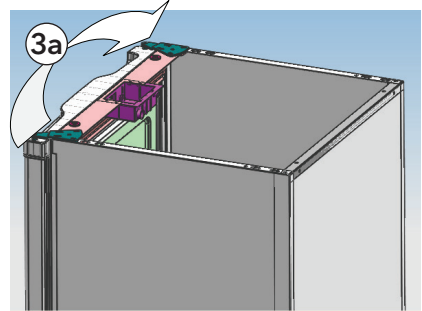
REFRIGERATOR DOOR INSTALL GUIDELINES ABOUT SWAPPING LEFT&RIGHT (OPTIONAL)

1. Disassemble the screws behind the fixed roof with cross-slot screwdriver and remove the cover from the refrigerator.



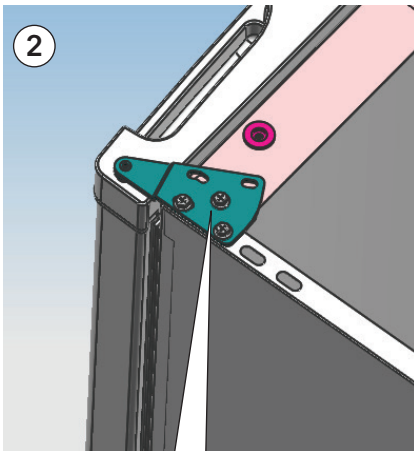
3. Replace the top-hinge and the door limit block and the door bearing bush to the other side

A. Replace the top-hinge.

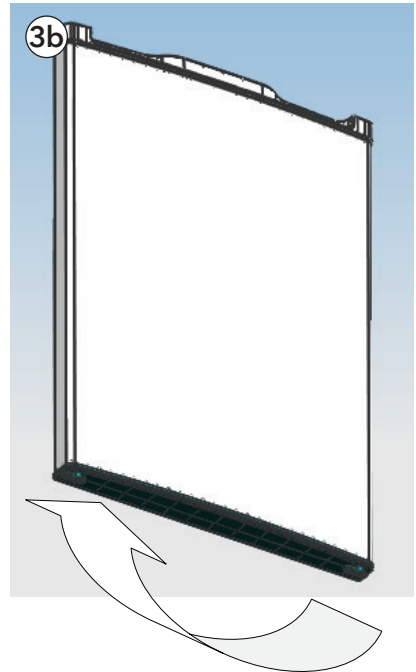


2. Remove the screws fixed the top-hinge with cross-slot screwdriver.

B. Replace the door bearing bush and the limit block.



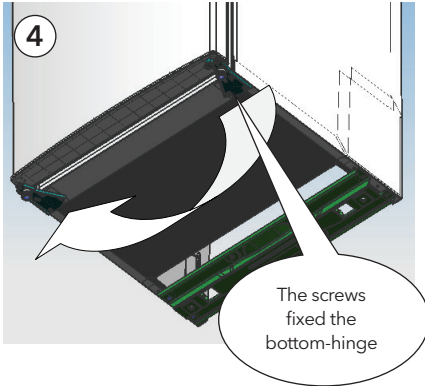
The screws fixed the top-hinge



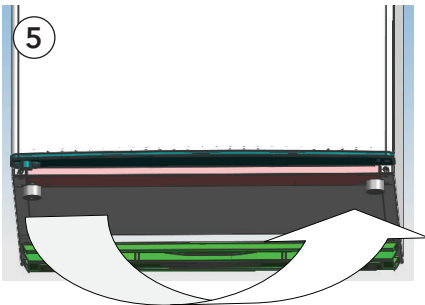
4. Disassemble the screws fixed the bottom-hinge with cross-slot screwdriver and replace the hinge to the other side then fix it with screws.

NOTE

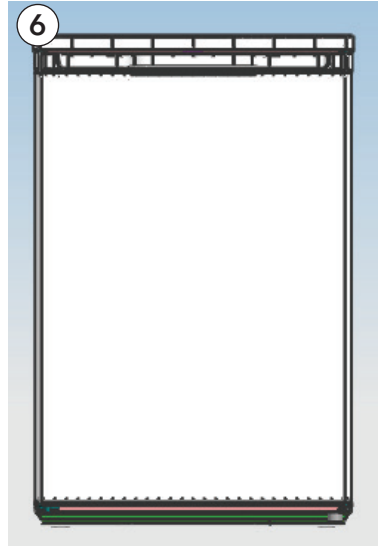
The refrigerator incline angle less 45°.



5. Replace the leveler to the other side and adjust it to make sure the cabinet level



6. Set the door right position, fix the top-hinge and then the roof cover.



Ensure the Appliance is unplugged and empty. Adjust the two leveling feet to their highest position. We recommend you have someone to assist you.

NOTE

To take the door off it is necessary to tilt the Appliance backward. You should rest the Appliance on something solid e.g.a chair just below the top panel.

Do not lay the Appliance completely flat as this may damage the coolant system.

ENERGY SAVING TIPS

- The appliance should be located in the coolest area of the room, away from heat producing appliances or heating ducts, and out of the direct sunlight.
- Let hot foods cool to room temperature before placing in the appliance. Overloading the appliance forces the compressor to run longer. Foods that freeze too slowly may lose quality, or spoil.
- Be sure to wrap foods properly, and wipe containers dry before placing them in the appliance. This cuts down on frost build-up inside the appliance.
- Appliance storage bin should not be lined with aluminum foil, wax paper, or paper toweling. Liners interfere with cold air circulation, making the appliance less efficient.
- Organize and label food to reduce door openings and extended searches. Remove as many items as needed at one time, and close the door as soon as possible.

Уважаеми клиенти:

Благодарим ви, че купихте този фризер. За да сте сигурни, че ще получите най-добрите резултати от новия си фризер, моля, отделете време да прочетете инструкциите в тази брошура.

Моля, уверете се, че опаковъчният материал е изхвърлен в съответствие с действащите изисквания за околната среда.

При изхвърляне на фризерни уреди се обърнете към местния отдел за изхвърляне на отпадъци за съвет относно безопасното изхвърляне.

Този уред трябва да се използва само по предназначение.

Този уред е предназначен за използване в домакинството и подобни приложения, като например

- кухненски помещения за персонала в магазини, офиси и други работни помещения;
- стопанства и клиенти в хотели, мотели и други жилищни помещения;
- места за настаняване тип "нощувка и закуска";
- кетъринг и подобни приложения, които не са свързани с търговията на дребно.

ПРЕДУПРЕЖДЕНИЯ ЗА БЕЗОПАСНОСТ

ПРЕДУПРЕЖДЕНИЕ



Предупреждение: риск от пожар / запалими материали

- Този уред е предназначен за използване в домакинството и други подобни приложения, като кухненски помещения за персонала в магазини, офиси и други работни помещения; ферми и от клиенти в хотели, мотели и други жилищни помещения; помещения за нощувки и закуски; кетъринг и други подобни приложения, които не са свързани с търговията на дребно.
- Ако захранващият кабел е повреден, той трябва да бъде заменен от производителя, неговия сервизен представител или от лица с подобна квалификация, за да се избегне опасност.
- Не съхранявайте в този уред взривоопасни вещества, като например аерозолни флакони със запалим пропелент.
- Уредът трябва да бъде изключен от електрическата мрежа след употреба и преди извършване на потребителска поддръжка на уреда.
- **ПРЕДУПРЕЖДЕНИЕ:** Поддържайте вентилационните отвори в корпуса на уреда или вградената конструкция без препятствия.
- **ПРЕДУПРЕЖДЕНИЕ:** Не използвайте механични устройства или други средства за ускоряване на процеса на размразяване, различни от препоръчаните от производителя.
- **ПРЕДУПРЕЖДЕНИЕ:** Не повреждайте кръга на хладилния агент.
- **ПРЕДУПРЕЖДЕНИЕ:** Не използвайте електрически уреди в отделенията за съхранение на храна на уреда, освен ако те не са от типа, препоръчан от производителя.
- **ПРЕДУПРЕЖДЕНИЕ:** Моля, изхвърлете уреда в съответствие с изискванията на местните регламенти, тъй като той използва възпламеним газ и хладилен агент.
- **ПРЕДУПРЕЖДЕНИЕ:** Когато позиционирате уреда, внимавайте захранващият кабел да не бъде захванат или повреден.
- **ПРЕДУПРЕЖДЕНИЕ:** Не разполагайте множество преносими разклонители или

преносими източници на захранване в задната част на уреда.

- Не използвайте удължители или незаземени (двужилни) преходници.
- **ОПАСНОСТ:** Риск от заклещване на деца. Преди да изхвърлите стария си уред:
 - Свалете вратите.
 - Оставете рафтовете на местата им, така че децата да не могат лесно да се качват вътре.
- Уредът трябва да бъде изключен от източника на електрическо захранване, преди да се опитате да монтирате аксесоари.
- Хладилният агент и циклопентановата пiana, използвани за уреда, са запалими. Следователно, когато уредът се бракува, той трябва да се държи далеч от всякакви източници на огън и да се рециклира от специална фирма за рециклиране със съответната квалификация, а не да се изхвърля чрез изгаряне, за да се предотврати увреждане на околната среда или други щети.
- За стандарт EN: Този уред може да се използва от деца на възраст от 8 години и нагоре, както и от лица с намалени физически, сетивни или умствени способности или с липса на опит и познания, ако са под наблюдение или са получили инструкции относно използването на уреда по безопасен начин и разбират свързаните с него опасности. Децата не трябва да си играят с уреда. Децата не трябва да извършват почистване и поддръжка без надзор. На деца на възраст от 3 до 8 години се разрешава да зареждат и изправят хладилни уреди.
- За стандарт IEC: Този уред не е предназначен за използване от лица (включително деца) с намалени физически, сетивни или умствени способности или с липса на опит и познания, освен ако те не са под наблюдение или не са получили инструкции за използването на уреда от лице, отговорно за тяхната безопасност).

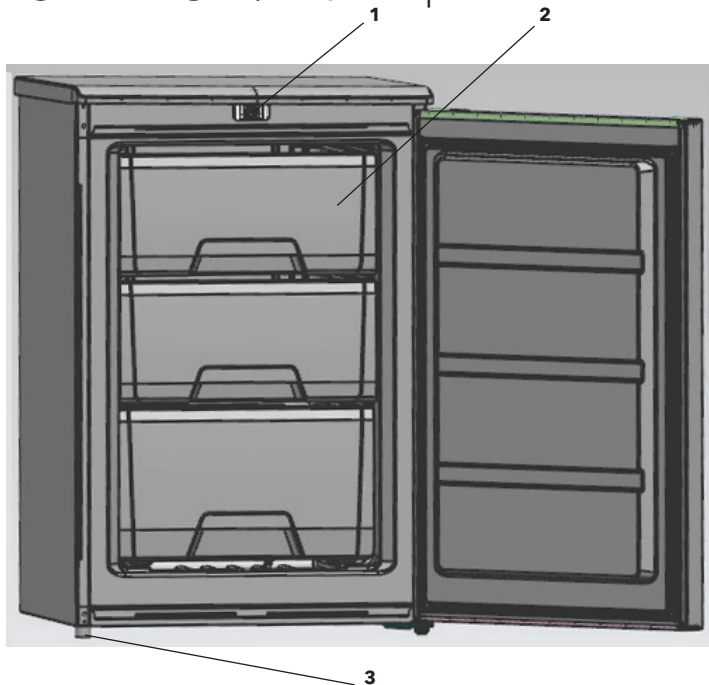
- Децата трябва да бъдат наблюдавани, за да се гарантира, че няма да си играят с уреда. За да избегнете замърсяване на храната, моля, спазвайте следните инструкции:
 - Продължително отваряне на вратата може да доведе до значително повишаване на температурата в отделенията на уреда.
 - Почиствайте редовно повърхностите, които могат да влязат в контакт с храни, и достъпните дренажни системи.
 - Почистете резервоарите за вода, ако не са били използвани в продължение на 48 часа; промийте водната система, свързана с водоснабдяването, ако не е била ползвана вода в продължение на 5 дни. (забележка 1)
 - Съхранявайте суровото месо и риба в подходящи съдове в уреда, така че да не влизат в контакт с други храни и да не капят върху тях.
- Отделенията с две звезди (☆☆) за замразени храни са подходящи за съхранение на предварително замразени храни, за съхранение или приготвяне на сладолед и за приготвяне на кубчета лед. (забележка 2)
- Отделенията с една (★), две (★★) и три (★★★) звезди не са подходящи за замразяване на пресни храни. (забележка 3)
- Ако хладилният уред остане празен за дълъг период от време, изключете го, размразете, почистете, подсушете и оставете вратата отворена, за да предотвратите появата на мухъл в уреда.

Забележка 1,2,3 - Моля, уверете се дали това е приложимо според типа на отделението на вашия уред.

ОБЩИ

Този тип хладилен уред се използват широко в места като хотели, офиси, студентски общежития и къщи. Той е подходящ най-вече за охлаждане и запазване на храни като плодове и напитки. Предимствата му са малки размери, лекота, ниска консумация на електроенергия и лесна употреба.

ОСНОВНА КОНФИГУРАЦИЯ



1. Термостат 2. Чекмедже 3. Нивелиращо краче

РАЗОПАКОВАНЕ НА ФРИЗЕРА

ПРЕДУПРЕЖДЕНИЕ: Необходими са поне двама души за преместване на фризера. Неспазването на това изискване може да доведе до нараняване на гърба или други травми.

- Преди да използвате фризера, отстранете лентата и всички етикети от него (с изключение на етикета с технически данни).
- За да отстраните остатъците от лентата или лепилото, разтъркайте мястото енергично с палец си.
- Остатъците от лентата или лепилото могат да бъдат отстранени лесно и чрез втриване на малко количество течен сапун върху лепилото с пръсти. Избършете с топла вода и подсушете.
- Не използвайте остри инструменти, алкохол за търкане, запалими течности или абразивни почистващи препарати за отстраняване на лентата или лепилото. Тези продукти могат да повредят повърхността на фризера.
- Когато премествате фризера, не го наклоняйте на повече от 45° от вертикално положение.

ПОЧИСТВАНЕ ПРЕДИ УПОТРЕБА

След като отстраните всички опаковъчни материали (особено пяната между външния кондензатор и корпуса трябва да бъде отстранена), почистете вътрешността на фризера, преди да го използвате.

ИЗИСКВАНИЯ ЗА ПРОСТРАНСТВО

ПРЕДУПРЕЖДЕНИЕ: Съхранявайте запалимите материали, например бензин, далеч от фризера. Неспазването на това изискване може да доведе до смърт, експлозия, пожар или изгаряния.

- За да осигурите подходяща вентилация на фризера, предвидете 200 мм разстояние от всяка страна между стените, 200 мм разстояние между задната част на фризера и стената и 300 мм разстояние между плота и покрива или тавана.
- Ако монтирате фризера си до неподвижна стена, оставете достатъчно място от страната на пантата, за да може вратата да се отваря.
- Никога не поставяйте фризера в близост до източник на топлина и на пряка слънчева светлина. слънчева светлина.

ЕЛЕКТРОТЕХНИЧЕСКИ ИЗИСКВАНИЯ

ПРЕДУПРЕЖДЕНИЕ: НЕ ОТСТРАНЯВАЙТЕ ЗАЗЕМЯВАЩИЯ ИЗВОД. НЕ ИЗПОЛЗВАЙТЕ ПРЕХОДНИК. НЕ ИЗПОЛЗВАЙТЕ УДЪЛЖИТЕЛЕН КАБЕЛ.

Неспазването на тези инструкции може да доведе до смърт, пожар или токов удар. Преди да преместите фризера на окончателното му местоположение, е важно да се уверите, че имате подходяща електрическа връзка.

Препоръчителен метод на заземяване

Необходимо е променливотоково захранване 220~240 В /50 Хц само с 10 ампера предпазител и правилно заземяване. Препоръчително е да се осигури отделен кръг само за този уред. Използвайте контакт, който не може да бъде изключен с превключвател или шалтер. Не използвайте удължителен кабел.

ЗАБЕЛЕЖКА:

Преди да извършите какъвто и да е вид монтаж, изключете фризера от контакта. Когато приключите, включете фризера в контакта и върнете регулатора за контрол на температурата в желаната позиция.

НИВЕЛИРАНЕ

Ако фризерът не е нивелиран по време на монтажа, вратите може да не се затворят или уплътнят правилно, което да доведе до проблеми с охлаждането, замръзването или влагата. Много е важно фризерът да е нивелиран, за да функционира правилно.

За да нивелирате фризера, можете да завъртите нивелиращото краче по посока на часовниковата стрелка, за да повдигнете тази страна на фризера, или да го завъртите обратно на часовниковата стрелка, за да снижите тази страна.

ЗАБЕЛЕЖКА:

Ако някой повдигне фризера, това ще намали тежестта на нивелиращото краче, което ще улесни регулирането на нивелиращото краче.

УПОТРЕБА НА УРЕДА

За да постигнете възможно най-добри резултати от вашия фризер, е важно да го използвате правилно.

Контрол на температурата (опция)

Температурата във фризера се контролира от копчето за управление на термостата. То се намира в горната част на фризера. Завъртете копчето за управление на термостата нагоре или надолу, за да регулирате температурата във фризера. Маркировките върху копчето за управление показват "1~4" за различните температурни степени. Температурата намалява, като позиция "1" е за най-висока температура, а позиция "4" е за най-ниска температура. Настройте регулатора на позиция между "1" и "4" за нормална употреба, точната позиция зависи от температурата извън фризера, обичайно може да изберете позиция "2".

Температурата във фризера се контролира от копчето за управление на термостата. То се намира в горната предна част на фризера. Завъртете копчето за управление на термостата нагоре или надолу, за да регулирате температурата във фризера. Маркировките върху копчето за управление показват "студено~по-студено" за различните температурни класове. Температурата намалява, като позицията "студено" е за най-висока, а позицията "по-студено" е за най-ниска температура. Настройте регулатора на позиция между "студено" и "по-студено" за нормална употреба, точната позиция зависи от температурата извън фризера, обичайно може да изберете ""

Съхраняване на замразени храни (опция)

Когато използвате фризера за първи път или след размразяване, завъртете регулатора на температурата на настройка "4" за поне два часа, преди да поставите храната, която ще се съхранява.

Всички закупени замразени хранителни продукти трябва да се поставят във фризера възможно най-скоро, за да се избегне размразяването им. Винаги трябва да се спазват препоръките за съхранение, отпечатани от производителите върху опаковките на замразените храни.

Внимавайте чекмеджето да не изкриви хладилния тръбопровод.

Когато използвате фризера за първи път или след размразяване, завъртете регулатора на температурата в положение "по-студено" за поне два часа, преди да поставите храната, която ще се съхранява.

Замразяване на прясна храна

Уверете се, че операциите по замразяване се извършват при най-хигиенични условия, тъй като самото замразяване не стерилизира храната. Препоръчително е да замразявате храната, като я опаковате в отделни порции, а не в насипно състояние. Никога не поставяйте във фризера горещи или дори топли храни. Преди да съхранявате замразената храна, я опаковайте в найлонови торбички, алуминиево фолио или съдове за замразяване и я поставете във фризера. Вижте информационния лист в задната част на тази брошура за максимално допустимото количество в килограми прясна храна, която може да бъде замразена за всеки 24-часов период при стайна температура от 25°C. Никога не замразявайте повече от максимално допустимото.

ЗАБЕЛЕЖКА:

Никога не поставяйте бутилирани храни или напитки във фризерното отделение. За да постигнете най-добри резултати, оставете достатъчно място във фризерното отделение, за да може въздухът да циркулира около опаковките.

Забележка: Можете да използвате уреда без чекмедже при някои условия.

РАЗМРАЗЯВАНЕ

Извадете щепсела от електрическата мрежа, отворете вратата и извадете всичката храна на хладно място. Размразете с помощта на пластмасова стъргалка или оставете температурата да се повиши естествено, докато замръзването се стопи. После избършете остатъците от лед и вода, след което включете фризера към електрическата мрежа.

ЗАБЕЛЕЖКА:

За да не повредите стената на отделението за замразяване, не използвайте остри предмети, за да отстраните замръзването или да отделите замразената храна.

Почистване на фризера

Преди да започнете да почиствате фризера, извадете щепсела от електрическата мрежа.

- Прахът зад фризера и на пода трябва да се почиства своевременно, за да се подобри охлаждащият ефект и да се спести енергия.
- Редовно проверявайте уплътнението на вратата, за да се уверите, че в него няма замърсявания. Почиствайте уплътнението на вратата с мека кърпа, навлажнена със сапунена вода или разреден почистващ препарат.
- Вътрешността на фризера трябва да се почиства редовно, за да се избегне появата на миризма.
- Моля, изключете захранването, преди да почистите, отстранете всички храни, кошниците, контейнерите и др.
- Използвайте мека кърпа или гъба, за да почистите вътрешността на фризера, с две супени лъжици сода за хляб и една четвърт топла вода. След това изплакнете с вода и избършете. След почистването отворете вратата и я оставете да изсъхне по естествен начин, преди да включите захранването.
- За трудните за почистване зони във фризера(като пролуки или ъгли) , се препоръчва да ги избърсвате редовно с мек парцал, мека четка и т.н., а когато е необходимо, в комбинация с някои помощни средства (като тънки пръчици), за да не се допускат замърсявания или натрупване на бактерии в тези зони.
- Не използвайте сапун, детергент , прах за почистване, почистващ спрей и др. , тъй като те могат да причинят миризми във вътрешността на фризера или замърсяване на храната.
- Почистете рафтовете и чекмеджетата с мека кърпа, навлажнена със сапунена вода или разреден препарат. Подсушете с мека кърпа или изсушете по естествен начин.
- Избършете външната повърхност на фризера с мека кърпа, навлажнена със сапунена вода , препарат за почистване и т.н., след което избършете до сухо.
- Не използвайте твърди четки, стоманени телчета, телени четки , абразивни материали (като паста за зъби), органични разтворители (като алкохол , ацетон, бананово масло и др.), вряла

вода, киселинни или алкални предмети, които могат да повредят повърхността и вътрешността на фризера. Врящата вода и органичните разтворители, като бензол, могат да деформират или повредят пластмасовите части.

- Не изплаквайте директно с вода или други течности по време на почистването, за да избегнете късо съединение или да засегнете електрическата изолация след потапяне.

ДЪЛГИ ПЕРИОДИ БЕЗ УПОТРЕБА

Ако фризерът не се използва за дълъг период от време, процедурийте по следния начин: Изключете фризера от електрическата мрежа, като извадите щепсела от контакта. Почистете и подсушете вътрешността, както е указано в раздела за почистване на фризера. Оставете вратата отворена, за да предотвратите натрупването на неприятни миризми, докато фризерът не се използва.

ОТСТРАНЯВАНЕ НА НЕИЗПРАВНОСТИ

В случай на неизправност можете лесно да разрешите много често срещани проблеми.

Вашият фризер не работи

- Проверете дали захранващият кабел е включен в контакта.

Вратите не се затварят изцяло

Проверете дали:

- Чекмеджетата са разместени.
- Уплътненията са замърсени.
- Фризерът е добре нивелиран.

Фризерът е шумен, когато работи

- Проверете дали фризерът е нивелиран и не се допира до друг уред или кухненско обзавеждане.

Фризерът не охлажда достатъчно

Проверете дали

- Вратата е била отваряна твърде често или е била оставена отворена за известно време, това ще отнеме време фризерът да достигне зададената температура.
- Въздушният поток в задната част на фризера не е намален поради недостатъчно разстояние.

Следните явления не трябва да се разглеждат като проблем.

- Лекото шумолене, причинено от протичането на охлаждаща течност в тръбите.
- Работата на компресора при висока температура.

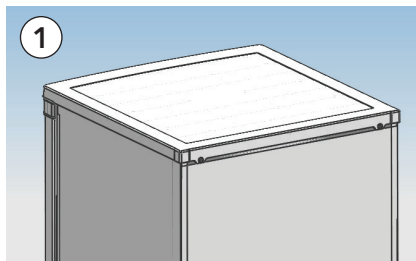


Правилно изхвърляне на продукта

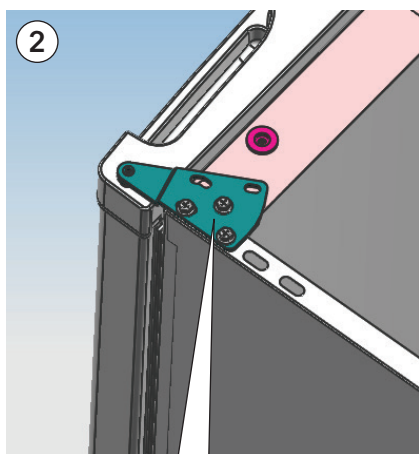
Тази маркировка указва, че този продукт не трябва да се изхвърля заедно с други битови отпадъци в целия ЕС. За да предотвратите възможни вреди за околната среда или човешкото здраве от неконтролирано изхвърляне на отпадъци, рециклирайте го отговорно, за да насърчите устойчивото повторно използване на материалните ресурси. За да върнете използвания уред, моля, използвайте системите за връщане и събиране или се свържете с търговеца на дребно, където е закупен продуктът. Те могат да приемат този продукт за безопасно за околната среда рециклиране.

НАСОКИ ЗА МОНТИРАНЕ НА ВРАТАТА ЗА СМЯНА НА ПОСОКАТА НА ОТВАРЯНЕ (ОПЦИЯ)

1. Демонтирайте винтовете зад фиксиращия покрив с кръстата отвертка и свалете капака от уреда.



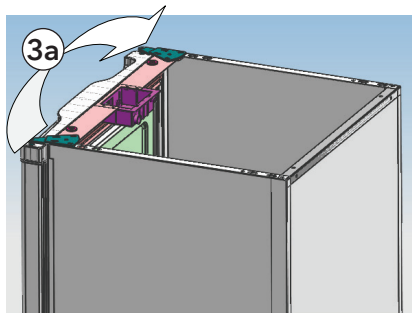
2. Отстранете винтовете, фиксирани на горната панта, с кръстата отвертка.



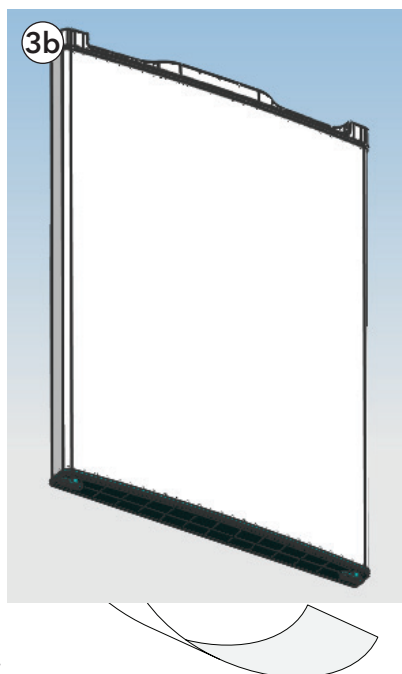
Винтове на горната панта

3. Преместете горната панта, ограничителния блок на вратата и втулката на лагера на вратата от другата страна.

A. Преместете горната панта.



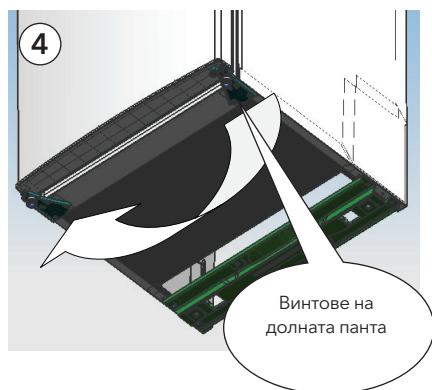
B. Преместете втулката на лагера на вратата и ограничителния блок.



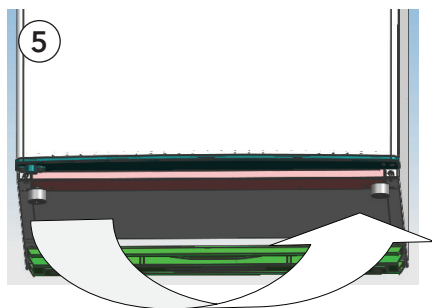
4. Демонтирайте винтовете, фиксирани на долната панта, с кръстатата отвертка и поставете пантата от другата страна, след което я фиксирайте с винтовете

ЗАБЕЛЕШКА

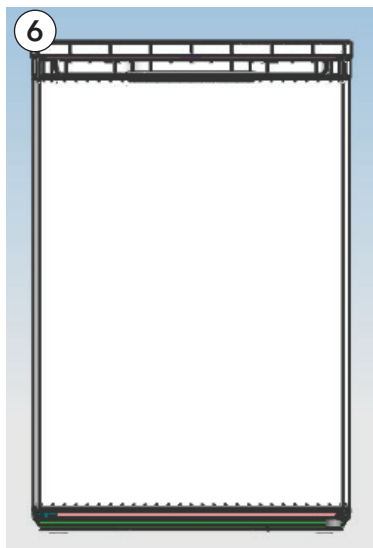
Ъгъл на наклон на уреда по-малък от 45°.



5. Поставете нивелира от другата страна и го регулирайте, за да се уверите, че уредът е нивелиран



6. Задайте правилната позиция на вратата, фиксирайте горната панта и след това панела на покрива.



Уверете се, че уредът е изключен от електрическата мрежа и празен. Настройте двете нивелиращи крачета в най-високата им позиция. Препоръчваме някой да ви помогне.

ЗАБЕЛЕЖКА:

За да свалите вратата, е необходимо да наклоните уреда назад. Трябва да подпрете уреда на нещо стабилно и здраво, напр. на стол, точно под горния панел.

Не поставяйте уреда в напълно хоризонтално положение, тъй като това може да повреди охладителната система.

СЪВЕТИ ЗА ПЕСТЕНЕ НА ЕНЕРГИЯ

- Уредът трябва да бъде разположен в най-хладната част на помещението, далеч от уреди, произвеждащи топлина, или отоплителни тръби и извън пряка слънчева светлина.
- Оставете горещите храни да се охладят до стайна температура, преди да ги поставите в уреда. Претоварването на уреда принуждава компресора да работи по-дълго. Храните, които се замразяват твърде бавно, могат да загубят качеството си или да се развалят.
- Не забравяйте да опаковате храните правилно и да избършете контейнерите до сухо, преди да ги поставите в уреда. Това намалява натрупването на скреж във вътрешността на уреда.
- Кошницата за съхранение на уреда не трябва да се облицова с алуминиево фолио, восъчна хартия или хартиени кърпи. Подложките пречат на циркулацията на студен въздух, което прави уреда по-малко ефективен.
- Подредете и етикетирайте храната, за да намалите отварянето на вратата и продължителното търсене. Изваждайте наведнъж толкова продукти, колкото е необходимо, и затваряйте вратата възможно най-скоро.

Poštovanom potrošaču:

Hvala Vam što ste kupili ovaj vertikalni zamrzivač. Da biste na najbolji način koristili svoj novi zamrzivač, odvojite vrijeme da pročitate jednostavna uputstva sadržana u ovoj brošuri.

Uvjerite se da se odlaganje ambalaže obavlja u skladu sa važećim zahtjevima u vezi sa zaštitom životne sredine.

Prilikom odlaganja bilo kog dijela opreme za zamrzivač, za savjete o bezbjednom odlaganju se obratite svom lokalnom sektoru za odlaganje otpada.

Ovaj uređaj se mora upotrebljavati isključivo u svrhe za koje je namjenjen.

Ovaj uređaj je namjenjen za upotrebu u domaćinstvima i sličnom okruženju poput

- kuhinja za osoblje u prodavnicama, kancelarijama i drugom radnom okruženju;
- poljoprivrednih domaćinstava i hotela, motela i ostalih objekata rezidencijalnog tipa, gdje se stavlja na raspolaganje klijentima;
- objekata koji pružaju uslugu noćenja sa doručkom;
- keteringa i u slične neprodajne namjene.

BEZBJEDONOSNA UPOZORENJA

UPOZORENJE:



Upozorenje: rizik od požara / zapaljivih materijala

- Ovaj uređaj je namjenjen za upotrebu u domaćinstvima i sličnom okruženju poput kuhinja za osoblje u prodavnicama, kancelarijama i drugom radnom okruženju; poljoprivrednih domaćinstava i hotela, motela i ostalih objekata rezidencijalnog tipa, gdje se stavlja na raspolaganje klijentima; objekata koji pružaju uslugu noćenja sa doručkom; keteringa i u slične neprodajne namjene.
- Ukoliko je kabal za napajanje oštećen, potrebno je da njegovu zamjenu obavi proizvođač, njegov ovlašteni serviser ili lica sa sličnim kvalifikacijama kako bi se izbjegao nastanak opasnosti.
- Nemojte držati eksplozivne supstance poput aerosol boca sa zapaljivim potisnim gasom u ovom uređaju.
- Uređaj je potrebno isključiti iz struje nakon upotrebe, a prije njegovog korisničkog održavanja.
- UPOZORENJE: Povedite računa da ventilacioni otvori ne budu blokirani unutar ugradbenog dijela ili ugradne konstrukcije za uređaj.
- UPOZORENJE: Ne upotrebljavajte mehanička sredstva ili
- druge postupke za ubrzavanje procesa otapanja, ukoliko nisu preporučeni od strane proizvođača.
- UPOZORENJE: Ne oštećujte instalacije za rashladno sredstvo.
- UPOZORENJE: Ne upotrebljavajte električne uređaje unutar odjeljaka za držanje hrane ovog uređaja, osim ukoliko su u pitanju tipovi uređaja preporučeni od strane proizvođača.
- UPOZORENJE: Frižider odložite u skladu sa lokalnim propisima jer se za njegov rad upotrebljavaju zapaljivi eksplozivni gas i rashladno sredstvo.
- UPOZORENJE: Prilikom pozicioniranja uređaja, uvjerite se da kabal za napajanje nije pritisnut ili oštećen.
- UPOZORENJE: Ne postavljajte prenosive produžne kablove sa više utičnica ili prenosive akumulatore iza uređaja.
- Ne upotrebljavajte produžne kablove ili neuzemljene (sa dva kraka) adaptere.
- OPASNOST: Rizik od zatvaranja djece unutar uređaja. Prije nego što odbacite svoj stari frižider ili zamrzivač:
 - Skinite vrata.
 - Ostavite police unutar uređaja kako djeca ne bi mogla da se lako uvuku unutra.
- Prije nego to pokušate da instalirate neki prateći element, uređaj morate isključiti iz struje.
- Rashladno sredstvo i pjenušavo sredstvo ciklopentan, koji se upotrebljavaju u okviru frižidera, su zapaljivi. Stoga, prilikom odlaganja
- frižidera, držite ga dalje od izvora plamena i, umjesto da ga odložite sagorjevanjem, predajte ga nekoj od specijalizovanih kompanija za recikliranje sa odgovarajućim kvalifikacijama kako bi se omogućilo njegovo ponovno iskorištenje, jer ćete na taj način spriječiti štetne efekte po životnu sredinu ili druge opasnosti.
- Za EN standard: Ovaj uređaj mogu upotrebljavati djeca starosti od 8 ili više godina i osobe sa umanjenim fizičko-senzornim ili mentalnim sposobnostima ili nedostatkom iskustva i znanja ukoliko su pod nadzorom ili su upućeni u bezbjedno korištenje uređaja i shvataju opasnosti koje njegova upotreba nosi. Djeca se ne smiju igrati uređajem. Djeca ne smiju da obavljaju čišćenje i korisničko održavanje uređaja bez nadzora. Djeca starosti od 3 do 8 godina mogu stavljati hranu u ili je uzimati iz uređaja za rashlađivanje.
- Za IEC standard: Ovaj uređaj ne treba da upotrebljavaju osobe (uključujući djecu) sa umanjenim fizičko-senzornim ili mentalnim sposobnostima ili nedostatkom iskustva i znanja,

osim ukoliko su pod nadzorom osobe odgovorne za njihovu bezbjednost ili ako ih je pomenuta osoba obučila za korištenje uređaja.

- Djecu je potrebno nadgledati kako biste bili sigurni da se ne igraju uređajem.
- Uputstvo za upotrebu uključuje i sljedeće informacije: Kako biste izbjegli kontaminiranje hrane, pridržavajte se sljedećih uputstava:
 - Dugo držanje vrata uređaja otvorenim može da dovede do značajnog rasta temperature unutar odjeljaka uređaja.
 - Redovno čistite površine koje mogu da dođu u dodir sa hranom, kao i pristupačne dijelove odvodnog sistema.
 - Očistite posude za vodu ukoliko ih niste koristili tokom vremenskog perioda dužeg od 48 h; ukoliko tokom vremenskog perioda od 5 dana niste uzimali vodu iz uređaja, isperite sistem za protok vode povezan sa posudom za vodu. (napomena 1)

- Sirovo meso i ribu unutar frižidera držite u odgovarajućim posudama kako ove namirnice ne bi došle u dodir sa ili kako ne bi kapale po ostaloj hrani.

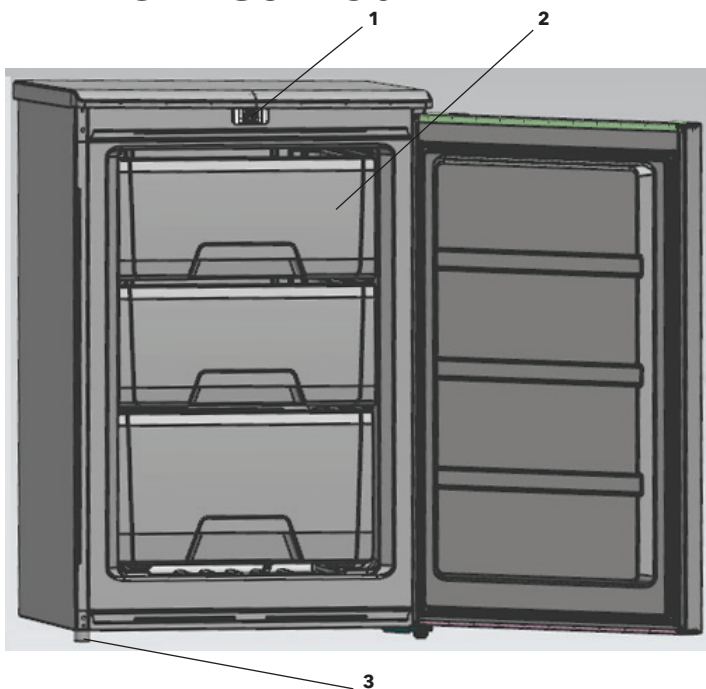
- Odjeljci za smrznutu hranu na kojima stoji oznaka **(✕)** pogodni su za držanje prethodno smrznute hrane, za držanje ili pravljenje sladoleda i za pravljenje kockica leda. (napomena 2)
- Odjeljci označeni jednom **(✕)** dvijema **(✕ ✕)** ili trima **(✕ ✕ ✕)** zvjezdicama nisu pogodni za zamrzavanje svježe hrane. (napomena 3)
- Ukoliko će uređaj za rashlađivanje biti prazan tokom dužeg vremenskog perioda, isključite ga, odledite, očistite i osušite, a zatim ostavite vrata uređaja otvorenim kako biste spriječili razvoj budi u unutrašnjosti uređaja.

Napomene 1, 2, 3: Provjerite da li su navedene informacije primjenjive na odjeljke onog tipa uređaja koji ste kupili.

OPŠTI PODACI

Ovaj tip frižidera je u širokoj upotrebi na mjestima poput hotela, kancelarija, studentskih domova i porodičnih kuća. Najprikladniji je za rashlađivanje i očuvanje namirnica poput voća i pića. Njegova prednost su male dimenzije, mala težina, niska energetska potrošnja i laka upotreba.

GLAVNA KONFIGURACIJA



1. Termostat 2. Fioka 3. Nožica za nivelisanje

RASPAKIVANJE VAŠEG ZAMRZIVAČA

UPOZORENJE: Za premještanje zamrzivača potrebno je dvoje ili više ljudi.

U suprotnom, može doći do nastanka povrede leđa ili do drugih povreda.

- Prije upotrebe, skinite selotejp i sve eventualne naljepnice sa Vašeg zamrzivača (sem naljepnice na kojoj su prikazani razredi uređaja).
- Kako biste uklonili sve preostale dijelove selotejpa ili ljepka, energično protrljajte datu površinu prstom.
- Preostali dijelovi selotejpa ili ljepka se takođe lako mogu ukloniti i utrljavanjem male količine tečnosti za pranje posuda preko ljepka, koristeći prste. Prebršite toplom vodom i osušite.
- Ne koristite oštre predmete, ne utrljavajte alkohol, zapaljive tečnosti ili abrazivna sredstva za čišćenje kako biste uklonili selotejp ili ljepak. Pomenuti proizvodi mogu da oštete površinu Vašeg zamrzivača.
- Prilikom premještanja zamrzivača, ne nakrećite zamrzivač tako da se nalazi pod uglovima većim od 45° u odnosu na vertikalni položaj.

ČIŠĆENJE PRIJE UPOTREBE

Nakon što uklonite kompletnu ambalažu (posebno je važno ukloniti stiropor koji se nalazi između spoljašnjeg hladnjaka i kućišta), a prije upotrebe Vašeg zamrzivača, očistite njegovu unutrašnjost.

ZAHTEVI U VEZI SA LOKACIJOM UREĐAJA

UPOZORENJE: Zapaljive materijale i isparenja, poput benzina, držite dalje od zamrzivača.

U suprotnom, može doći do nastanka smrti, eksplozije, požara ili opekotina.

- Kako biste osigurali adekvatno provjetravanje Vašeg zamrzivača, ostavite prostor od 200 mm između zidova i obje strane zamrzivača, 200 mm između zadnjeg dijela Vašeg zamrzivača i zida, i 300 mm između gornje površine zamrzivača i površine koja ga natkriljuje.
- Ukoliko svoj zamrzivač postavljate pored fiksiranog zida, ostavite dovoljno prostora na strani na kojoj se nalaze šarke kako biste omogućili otvaranje vrata.
- Nikada ne postavljajte svoj zamrzivač u blizini izvora toplote i na mjestima koja su izložena direktnim zracima sunca.

ZAHTEVI U VEZI SA ELEKTRIČNIM INSTALACIJAMA UREĐAJA

UPOZORENJE: NE UKLANJAJTE KRAK ZA UZEMLJENJE.

NE UPOTREBLJAVAJTE ADAPTER.

NE UPOTREBLJAVAJTE PRODUŽNI KABAL.

U suprotnom, može doći do nastanka smrti, požara ili strujnog udara.

Prije nego što premjestite svoj zamrzivač na njegovu konačnu lokaciju, važno je da se uvjerite da je ona opremljena odgovarajućim električnim konekcijama.

Preporučeni način uzemljenja

Neophodan je pristup struji od isključivo 220 ~ 240 volti / 50 Hz AC, koja je povezana na osigurač od 10 ampera i sa adekvatnim uzemljenjem. Preporučuje se da se obezbjedi zasebno kolo za snadbjevanje samo ovog uređaja. Upotrebjavajte utičnicu koja se ne može isključiti putem preklopnog prekidača ili prekidača na povlačenje. Ne upotrebjavajte produžni kabal.



NAPOMENA

Prije obavljanja bilo kakvog tipa instalacije, prekinite dovod struje do zamrzivača. Kada završite, povežite zamrzivač na izvor napajanja i podesite kontrole na željeno podešavanje.

NIVELISANJE

Ukoliko zamrzivač nije iznivelisan tokom instaliranja, vrata se možda neće na adekvatan način zatvarati ili neće prijanjati, što za rezultat može da ima probleme prilikom rashlađivanja, formiranje leda ili probleme sa vlagom. Izuzetno je važno da zamrzivač bude iznivelisan kako bi adekvatno funkcionisao.

Kako biste iznivelisali svoj zamrzivač, nožicu za nivelisanje možete da okrećete u smjeru kretanja kazaljke na satu, kako biste podigli onu stranu zamrzivača na kojoj se data nožica nalazi, ili u smjeru suprotnom od smjera kretanja kazaljke na satu, kako biste pomenutu stranu zamrzivača spustili.

NAPOMENA

Ukoliko Vam neko pomogne tako što će gurati gornji dio zamrzivača, smanjiće se težina kojom je opterećena nožice za nivelisanje. Na ovaj način se olakšava podešavanje nožice za nivelisanje.

UPOTREBA UREĐAJA

Da biste na najbolji način koristili svoj novi zamrzivač, važno je da ga upotrebljavate na odgovarajući način.

Kontrola temperature (opciono)

Temperatura unutar zamrzivača se kontroliše pomoću dugmeta za kontrolu termostata. Pomenuto dugme se nalazi na gornjem prednjem dijelu zamrzivača. Kako biste regulisali temperaturu unutar zamrzivača, okrenite dugme za kontrolu termostata ka gore ili ka dole. Na oznakama na kontrolnom dugmetu stoje vrijednosti „1~4“, čime su označene različite temperaturne vrijednosti. Temperaturne vrijednosti se smanjuju, pri čemu su na poziciji „1“ temperaturne vrijednosti najviše, a na poziciji „4“ najniže. Pri normalnoj upotrebi, kontrole podesite na poziciju između vrijednosti „1“ i „4“. Tačna pozicija je van temperaturnih vrijednosti unutar zamrzivača. Generalno, izaberite vrijednost „2“.

Temperatura unutar zamrzivača se kontroliše pomoću dugmeta za kontrolu termostata. Pomenuto dugme se nalazi na gornjem prednjem dijelu zamrzivača. Kako biste regulisali temperaturu unutar zamrzivača, okrenite dugme za kontrolu termostata ka gore ili ka dole. Na oznakama na kontrolnom dugmetu stoje vrijednosti „cold~colder“ („hladno~hladnije“), čime su označene različite temperaturne vrijednosti. Temperaturne vrijednosti se smanjuju, pri čemu su na poziciji „cold“ („hladno“) temperaturne vrijednosti najviše, a na poziciji „colder“ („hladnije“) najniže.

Pri normalnoj upotrebi, kontrole podesite na poziciju između vrijednosti „cold“ („hladno“) i „colder“ („hladnije“). Tačna pozicija je van temperaturnih vrijednosti unutar zamrzivača. Generalno, izaberite vrijednost „“.

Držanje smrznute hrane (opciono)

Prilikom prve upotrebe zamrzivača ili nakon otapanja, dugme za kontrolu temperature okrenite tako da bude podešeno na vrijednost „4“ tokom perioda od najmanje dva sata prije stavljanja hrane koja će se držati u uređaju.

Neophodno je da sve smrznute prehrambene proizvode koje kupite što je prije moguće stavite u zamrzivač, kako biste izbjegli otapanje smrznute hrane.

Uvijek je potrebno pridržavati se preporuka proizvođača u vezi sa čuvanjem smrznute hrane, a koje su odštampane na ambalaži.

Imajte u vidu da fioka ne smije da ošteti instalacione cijevi za rashlađivanje.

Zamrzavanje svježije hrane

Uvjerite se da svoje postupke zamrzavanja obavljate pri najvišim higijenskim uslovima, jer samo zamrzavanje ne podrazumijeva sterilizaciju hrane. Preporučuje se da se ne zamrzava cjelokupna količina ujedno, već da se hrana pakuje u zasebne porcije dovoljne za jedan obrok. Nikada ne stavljajte vrelu, pa čak ni toplu hranu u zamrzivač. Prije nego što smrznutu hranu odložite, upakujte je u plastične kese, listove aluminijuma ili u posude za zamrzavanje, a zatim je stavite u zamrzivač. Na poledini

ove brošure, pogledajte stranicu sa podacima i vezi sa maksimalnom dozvoljenom količinom svježih hrane, izraženom u kilogramima, koju je moguće zamrznuti u okviru jednog perioda od 24 sata, pri sobnoj temperaturi od 25°C. Nikada ne zamrzavajte količinu hrane koja je veća od maksimalne dozvoljene.

NAPOMENA

Nikada ne stavljajte flaširanu hranu ili pića u odjeljak za zamrzavanje. Za najbolji učinak, ostavite dovoljno prostora u odjeljku za zamrzavanje da omogućite vazduhu da cirkuliše oko pakovanja.

Obavještenje: Pri određenim uslovima, možete ga koristiti bez fiok.

Otapanje

Izvučite utikač iz zidne utičnice, otvorite vrata i svu hranu premjestite na hladno mjesto. Uklonite led koristeći plastičnu špatulu ili ostavite da se temperatura prirodnim putem poveća do nivoa koji omogućava topljenje leda. Zatim brisanjem uklonite preostali led i vodu, nakon čega možete ponovo priključiti zamrzivač u utičnicu.

NAPOMENA

Kako biste izbjegli oštećivanje zidova odjeljka za zamrzavanje, ne upotrebljavajte oštre predmete za uklanjanje leda ili za odvajanje smrznute hrane.

Čišćenje Vašeg zamrzivača

Prije nego što počnete da čistite svoj zamrzivač, izvučite utikač iz utičnice.

- Kako bi se unaprijedio efekat hlađenja i ušteda energije, potrebno je blagovremeno čistiti prašinu iza frižidera i sa poda.
- Redovno provjeravajte zaptivke na vratima kako biste se uvjerali da nisu zaprljane. Zaptivke na vratima čistite pomoću mekane krpe navlažene vodom sa sapunicom ili razblaženim deterdžentom.
- Da bi se izbjeglo formiranje neprijatnih mirisa, potrebno je redovno čistiti unutrašnjost frižidera.
- Prije nego što počnete da čistite unutrašnjost uređaja, prekinite dovod struje i izvadite svu hranu, pića, police, fiok itd.
- Za čišćenje unutrašnjosti frižidera koristite mekanu krpu ili spužvu i četvrtinu litre tople vode u kojoj su rastvorene dvije kafene kašike sode bikarbone. Zatim isperite vodom i obrišite. Nakon čišćenja, otvorite vrata uređaja i ostavite da se uređaj prirodno osuši prije nego što ga ponovo priključite u struju.
- Za dijelove frižidera koji se teško čiste (poput uskih prostora, otvora ili uglova), preporučuje se redovno brisanje mekanom krpom, mekanom četkom i sl., a, kada je to neophodno, i korištenje određenih pomoćnih predmeta (poput tankih štapića), čime se onemogućava akumuliranje kontaminanata ili bakterija u pomenutim dijelovima.
- Ne upotrebljavajte sapune, deterdžente, abrazivni prah za čišćenje, sredstva za čišćenje u obliku spreja i sl., jer pomenuta sredstva mogu da dovedu do formiranja neprijatnih mirisa u unutrašnjosti frižidera ili do kontaminiranja hrane.
- Okvir za držanje boca, police i fiok očistite mekanom krpom navlaženom vodom sa sapunicom ili razblaženim deterdžentom. Osušite mekanom krpom ili ostavite da se osuši prirodnim putem.
- Spoljašnje površine frižidera obrišite mekanom krpom navlaženom vodom sa sapunicom, deterdžentom i sl., a zatim osušite brisanjem.
- Ne upotrebljavajte tvrde četke, čelične žice za čišćenje, žičane četke, abrazivna sredstva (poput pasta za zube), organske rastvarače (poput alkohola, acetona, ulja banane itd.), ključalu vodu, kisela ili alkalna sredstva koja mogu da oštete površine i unutrašnjost frižidera. Ključala voda i organski rastvarači, poput benzena, mogu da deformišu ili oštete plastične elemente.
- Tokom čišćenja, uređaj nemojte ispirati direktno vodom ili drugim tečnostima, jer ćete na taj način izbjeći pojavu kratkog spoja i oštećenja električne izolacije prilikom potapanja.

DUŽI PERIODI NEKORIŠTENJA

Ukoliko zamrzivač neće biti u upotrebi tokom dužeg vremenskog perioda, postupite na sljedeći način: Prekinite vezu zamrzivača sa utičnicom tako što ćete izvadići utikač iz zidne utičnice. Očistite i osušite unutrašnjost na način naveden u poglavlju o čišćenju zamrzivača. Vrata ostavite otvorena kako biste spriječili formiranje neprijatnih mirisa u periodu tokom koga se zamrzivač neće upotrebljavati.

OTKLANJANJE PROBLEMA

U slučaju lošeg rada uređaja, lako možete riješiti mnoge uobičajene probleme.

Vaš zamrzivač ne radi

- Provjerite da li je priključni kabal izvučen iz utičnice.

Vrata se ne zatvaraju u potpunosti

Provjerite:

- Da li se fioke nalaze u nepravilnom položaju.
- Da li su zaptivke zaprljane.
- Da li je zamrzivač neadekvatno iznivelisan.

Zamrzivač je bučan prilikom rada

- Provjerite da li je zamrzivač iznivelisan i da li je u kontaktu sa nekim drugim uređajem ili komadom kuhinjskog namještaja.

Zamrzivač ne hladi u dovoljnoj meri

Provjerite:

- Da li su vrata uređaja otvarana previše često, ili da li su ostavljena otvorena tokom dužeg vremenskog perioda; potrebno je vrijeme da zamrzivač postigne podešenu temperaturu.
- Da li je protok vazduha na zadnjem dijelu zamrzivača umanjen usljed nedovoljnog prostora.

Sljedeće karakteristike ne treba posmatrati kao probleme.

- Utišan zvuk curenja tečnosti, nastao usljed proticanja rashladnog sredstva kroz cijevi.
- Rad kompresora pri visokim temperaturama.

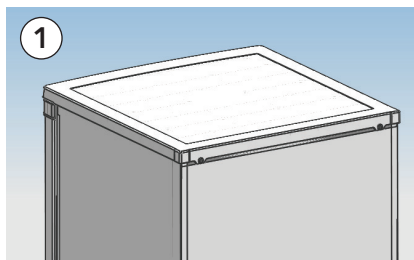


Pravilno odlaganje ovog proizvoda

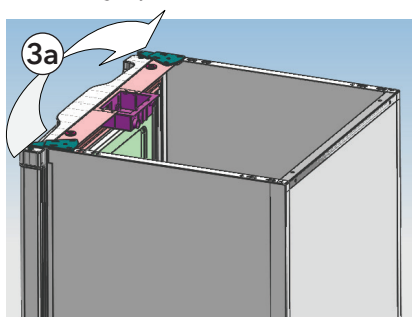
Ova oznaka ukazuje da ovaj proizvod u okviru EU ne treba odlagati zajedno sa ostalim otpadom iz domaćinstva. Kako biste spriječili potencijalnu štetu po životnu sredinu ili zdravlje ljudi nastalu nekontrolisanim odlaganjem otpada, odgovorno ga reciklirajte kako biste promovisali održivu ponovnu upotrebu materijalnih resursa. Za vraćanje svog polovnog uređaja, koristite sisteme za vraćanje i prikupljanje otpada ili kontaktirajte maloprodajni objekat u kome ste proizvod kupili. Ovim putem se proizvod može reciklirati na način bezbijedan po životnu sredinu.

INSTALACIONE SMJERNICE ZA PROMENU SMJERA (ULIJEVO ILI UDESNO) OTVARANJA VRATA FRIŽIDERA (OPCIONO)

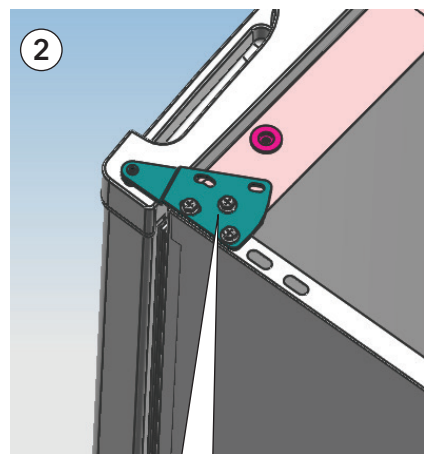
1. Pomoću krstastog odvijača skinite šarafe koji se nalaze iza fiksirane gornje površine i skinite poklopac frižidera.



3. Gornju šarku i granični blok vrata, kao i jednodijelnu posteljicu za vrata, ponovo postavite na suprotnu stranu uređaja
A. Postavite gornju šarku.

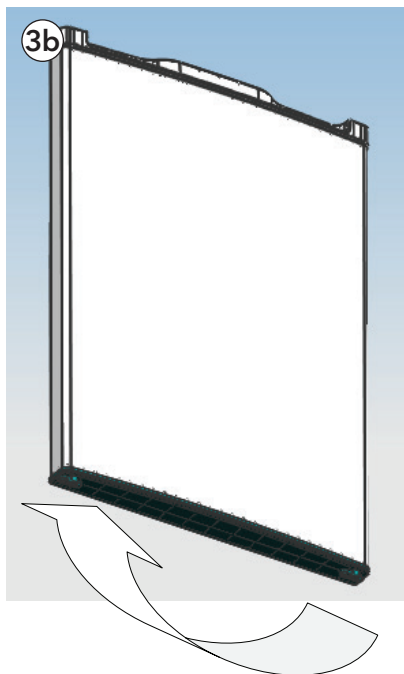


2. Pomoću krstastog odvijača skinite šarafe kojima je pričvršćena gornja šarka.



Šarafi kojima je pričvršćena gornja šarka

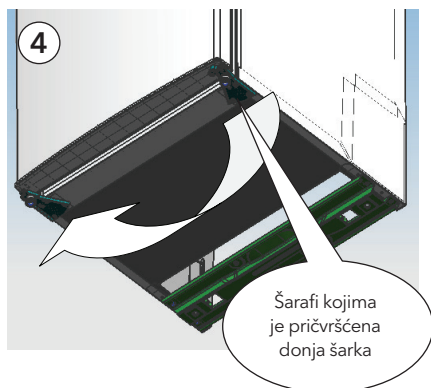
B. Postavite jednodijelnu posteljicu i granični blok za vrata.



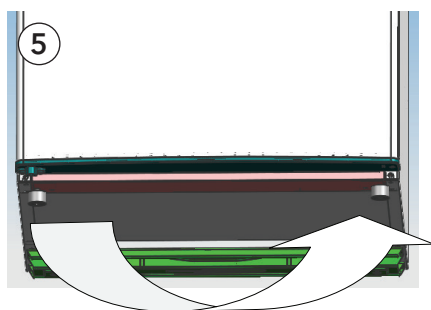
4. Pomoću krstastog odvijača skinite šarafe kojima je pričvršćena donja šarka i šarku postavite na suprotnu stranu uređaja, a zatim je pričvrstite šarafima.

NAPOMENA

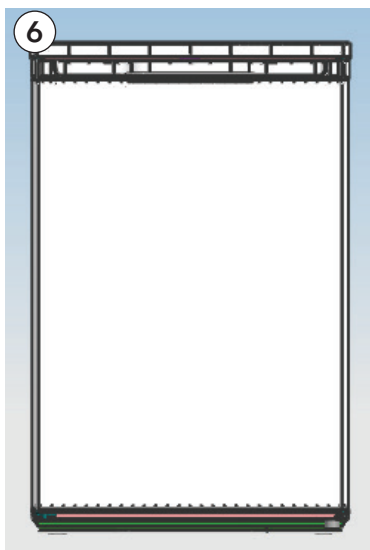
Nagib frižidera mora biti manji od 45°.



5. Postavite nivelator na suprotnu stranu uređaja i podesite ga kako biste bili sigurni da je kućište iznivelisano



6. Vrata postavite u odgovarajući položaj i pričvrstite gornju šarku, a zatim i poklopac na gornjem dijelu uređaja.



Uvjerite se da je uređaj isključen iz struje i ispražnjen.

Podesite dvije nožice za nivelisanje na njihovu najvišu poziciju.

Preporučujemo Vam da pronadete nekoga ko će Vam u tome pomoći.

NAPOMENA

Za skidanje vrata, potrebno je nakrenuti uređaj unazad.

Uređaj bi trebalo da oslonite na neki čvrsti predmet, npr, na stolicu, na onom dijelu koji se nalazi odmah ispod njegove gornje površine.

Ne polažite uređaj u potpuno horizontalni položaj, jer se na taj način može oštetiti instalacioni sistem za rashladno sredstvo.

SAVJETI ZA UŠTEDU ENERGIJE

- Uređaj treba postaviti na najhladnijem mjestu u prostoriji, što dalje od uređaja koje proizvode toplotu ili cijevi za grijanje, na mjestu koje nije izloženo direktnim zracima sunca.
- Prije nego što vrelu hranu stavite uređaj, ostavite je da se ohladi na sobnoj temperaturi. Prepunjavanjem uređaja, kompresor je primoran da radi duže. Hrana čije se zamrzavanje vrši pretjerano sporo može da izgubi na svom kvalitetu ili da se pokvari.
- Uvjerite se da je hrana adekvatno upakovana i osušite posude brisanjem prije nego što ih stavite u uređaj. Na taj način smanjujete formiranje leda unutar uređaja.
- Fioke za skladištenje u okviru uređaja ne treba oblagati aluminijumskom folijom, masnim papirom ili papirnim ubrusima. Materijal upotrebljen za oblaganje utiče na cirkulisanje hladnog vazduha, što uređaj čini manje efikasnim.
- Organizujte i obilježite hranu kako biste što rijede otvarali uređaj i što kraće tražili željenu hranu u njemu. Uzmite sve što Vam je potrebno odjednom, a vrata uređaja zatvorite što je prije moguće.

Kedves vásárlónk:

Köszönjük, hogy megvásárolta ezt a fagyasztót. Annak érdekében, hogy a legjobb hatásfokkal használhassa új fagyasztóját, szánjon időt a jelen füzetben található egyszerű utasítások tanulmányozására.

Gondoskodjon arról, hogy a csomagolóanyagot a hatályos környezetvédelmi előírásoknak megfelelően ártalmatlanítsa.

A fagyasztóberendezések ártalmatlanításához forduljon a helyi hatóságokhoz.

Ezt a készüléket csak rendeltetésszerűen szabad használni.

Ezt a készüléket háztartási és hasonló célokra szánják, mint pl.

- üzletek, irodák és egyéb munkahelyek személyzeti konyhái;
- tanyákon, szállodákban, motelekben és egyéb szálláshelyeken vendégek számára;
- panziókban és reggelizőhelyeken;
- vendéglátóipari és hasonló egységek, nem kereskedelmi célú alkalmazására.

BIZTONSÁGI FIGYELMEZTETÉSEK

FIGYELMEZTETÉS:

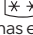



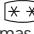

Figyelem: Tűzveszély / gyúlékony anyagok

- Ezt a készüléket háztartási célokra tervezték. Irodák és egyéb munkahelyek személyzeti konyháiban, családi házakban, szállodákban és motelekben, egyéb lakóhely jellegű környezetekben, panziókban, vendéglátóhelyeken és hasonló, nem kiskereskedelmi célú helyiségekben.
- Ha a tápkábel megsérül, a további veszélyek elkerülése érdekében azt csak a gyártó, annak szakszerveze, vagy egy megfelelő végzettséggel rendelkező szakember cserélheti ki.
- Ne tároljon robbanásveszélyes anyagokat, például gyúlékony hajtóanyagot tartalmazó aeroszolos dobozokat a készülékben.
- A készüléket karbantartás és tisztítás idejére áramtalanítani kell.
- **FIGYELEM:** Tartsa szabadon a szellőzőnyílásokat
- **FIGYELEM:** A leolvasztási folyamat felgyorsítására ne használjon a gyártó által nem javasolt mechanikus, vagy más eszközöket
- **FIGYELEM:** Ne rongálja meg a hűtőközeg kört.
- **FIGYELEM:** Ne használjon elektromos készülékeket a készülék élelmiszer tároló rekeszeiben kivéve, ha azokat a gyártó kifejezetten ajánlja.
- **FIGYELEM:** A készüléket a helyi előírásoknak megfelelően ártalmatlanítsa a gyúlékony hűtőközeg miatt.
- **FIGYELEM:** A készülék elhelyezésekor ügyeljen arra, hogy a tápkábel ne akadjon be vagy sérüljön meg.
- **FIGYELEM:** Ne tároljon hosszabbítót a készülék mögött.
- Ne használjon hosszabbítót vagy földeletlen (kétágú) adaptereket.
- **VESZÉLY:** Gyermekes csapdába esésének veszélye. Mielőtt kidobja régi hűtőszekrényét vagy fagyasztóját:
 - Vegye le az ajtókat.
 - Hagyja a polcokat a helyükön, hogy a gyerekek ne tudjanak könnyen bemászni a készülékbe.
- Áramtalanítsa a készüléket a tartozékok behelyezésekor.
- A hűtőszekrényhez használt hűtőközeg és a ciklopentán habosító anyag rendkívül gyúlékony. A nem használt hűtőszekrényt mindenféle tűzforrástól távol kell tartani, és a megfelelő képesítéssel rendelkező vállalkozásnak kell ártalmatlanítania.
- EN szabványhoz: A készüléket 8 éven aluli gyermekek, valamint fizikai, érzékszervi vagy értelmi képességeikben korlátozott, illetve a készüléket és annak használatát nem ismerő személyek csak olyan felügyelete mellett használhatják, aki a berendezés biztonságos módon történő használatára és az ezzel járó veszélyekre vonatkozó szabályokat megismerte.
- IEC-szabványhoz: A készüléket nem használhatják olyan személyek (beleértve a gyermekeket is), akik csökkent fizikai, érzékszervi vagy szellemi képességekkel rendelkeznek, vagy nem rendelkeznek kellő tapasztalattal és ismeretekkel, kivéve, ha a biztonságukért felelős személy felügyeli vagy oktatja őket a készülék használatára vonatkozóan)
- Ügyeljen rá, hogy gyermekei ne játszanak a készülékkel.
- Az élelmiszerek megromlásának elkerülése érdekében kérjük, tartsa be az alábbi utasításokat:
 - Az ajtó hosszú időre történő kinyitása a készülék rekeszeinek hőmérsékletének jelentős emelkedését okozhatja.
 - Rendszeresen tisztítsa meg az élelmiszerekkel érintkező felületeket és a hozzáférhető lefolyórendszereket.

- Tisztítsa meg a víztartályokat, ha 48 órán keresztül nem használták őket; öblítse át a vízhálózathoz csatlakoztatott vízhálózatot, ha 5 napig nem vételezett vizet a rendszerből. (1. megjegyzés)

- A nyers húst és halat megfelelő tárolóedényekben tárolja a hűtőszekrényben úgy, hogy ne érintkezzen más élelmiszerekkel.

- A két csillaggal jelölt  fagyasztott-élelmiszer rekesz alkalmas előfagyasztott élelmiszerek tárolására, fagylalt tárolására vagy készítésére, valamint jégkockák készítésére. (2. megjegyzés)

- Az egy , kettő  és három csillagos  nem alkalmas friss élelmiszer lefagyasztására. (3. megjegyzés)

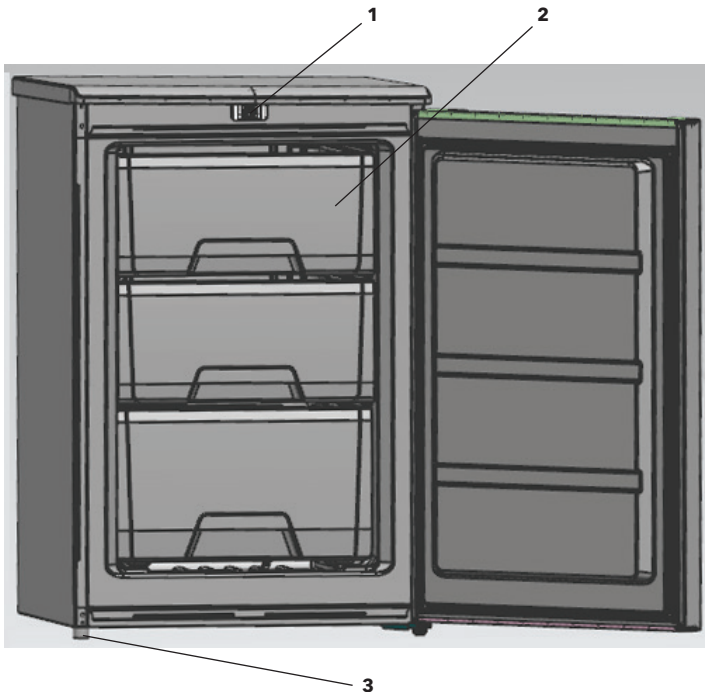
- Ha a készüléket hosszabb ideig nem használja, akkor kapcsolja ki, olvassa le, tisztítsa meg, szárítsa ki, és hagyja nyitva az ajtót, hogy megakadályozza a készülékben a penész kialakulását.

Megjegyzés 1,2,3: Győződjön meg arról, hogy az Ön készüléke alkalmas-e erre.

ÁLTALÁNOS FELHASZNÁLÁS

Ezt a típusú fagyasztó széles körben használható szállodákban, irodákban, kollégiumokban és otthonokban. Leginkább élelmiszerek, gyümölcsök és italok hűtésére és tartósítására alkalmas. Előnye a kis méret, a könnyű súly, az alacsony elektromos fogyasztás és a könnyű használat.

A KÉSZÜLÉKRŐL



1.Termosztát 2.Fiók 3. Szintező láb

A FAGYASZTÓ KICSOMAGOLÁSA

FIGYELEM: A fagyasztó mozgatásához legalább 2 személy szükséges. Egyéb esetben sérülést kockázatot.

- Használat előtt távolítsa el a ragasztószalagokat a fagyasztóról.
- A maradék ragasztó eltávolításához dörzsölje meg a területet a hüvelykujjával.
- A szalag- vagy ragasztómaradványok könnyen eltávolíthatók úgy is, hogy egy kis mennyiségű folyékony mosogatószerrel dörzsöli át a felületet. A művelet után törölje le egy száraz ruhadarabbal.
- Ne használjon éles eszközöket, alkoholt, gyúlékony folyadékokat vagy súrolószereket a ragasztószalagok vagy a ragasztómaradványok eltávolításához.
- Mozgatás során ne döntse meg a fagyasztót a függőleges helyzetéhez képest 45°-nál nagyobb mértékben.

TISZTÍTÁS HASZNÁLAT ELŐTT

Miután eltávolította az összes csomagolóanyagot (különösen a külső kondenzátor és a készülékház közötti habot), használat előtt tisztítsa meg a fagyasztó belsejét.

HELYIGÉNY

FIGYELMEZTETÉS: Tartsa távol a fagyasztótól a gyúlékony anyagokat és gőzöket, például a benzint. Ennek elmulasztása halált, robbanást, vagy égési sérüléseket okozhat.

- A fagyasztó megfelelő szellőzésének biztosítása érdekében hagyjon 200 mm helyet mindkét oldalon, 200 mm helyet a fagyasztó hátsó része és a fal között, valamint 300 mm helyet a készülék felett.
- Ha a fagyasztót közvetlenül egy fal mellé helyezi, hagyjon elegendő helyet a zsanér oldalán, hogy az ajtó kinyílhasson.
- Soha ne telepítse a fagyasztót hóforrás és közvetlen napsütés közelébe.

ELEKTROMOS KÖVETELMÉNY

**FIGYELMEZTETÉS: NE TÁVOLÍTSA EL A FÖLDELÉST.
NE HASZNÁLJON ADAPTERT.
NE HASZNÁLJON HOSSZABBÍTÓT.**

Az utasítások be nem tartása halált, tüzet vagy áramütést okozhat. Mielőtt a fagyasztót a végleges helyére helyezi, fontos, hogy megbizonyosodjon a megfelelő elektromos csatlakozásról.

Ajánlott földelési módszer

220~240 Volt / 50 Hz váltakozó áramú, 10 amperes biztosítékkal ellátott és megfelelően földelt elektromos hálózatra van szükség. Javasoljuk, hogy csak ezt a készüléket kiszolgáló, külön áramkört biztosítson. Olyan csatlakozóaljzatot használjon, amelyet nem lehet kapcsolóval vagy távirányítással kikapcsolni. Ne használjon hosszabbítót.

MEGJEGYZÉS

Minden szerelés előtt áramtalanítsa a készüléket. Ha végzett, csatlakoztassa vissza a fagyasztót az elektromos áramforráshoz, és állítsa vissza a vezérlőt a kívánt beállításra.

SZINTBE ÁLLÍTÁS

Ha a fagyasztót a telepítés során nem állítja be vízszintesre, az ajtók nem záródhatnak be vagy nem tömíthetnek megfelelően, ami hűtési hibákat, vagy párasodást okozhat. A lábat az óramutató járásával megegyező irányban elforgatva leengedi a készüléket, az óramutató járásával ellentétesen pedig felemeli.

MEGJEGYZÉS

Ha valaki egy kicsit megbillenti a készüléket és leveszi a súlyt a lábokról, akkor könnyebb beállítani.

A KÉSZÜLÉK HASZNÁLATA

A legjobb teljesítmény eléréséhez fontos, hogy megfelelően megismerje a készüléket.

Hőmérséklet szabályzása (opcionális)

A fagyasztó hőmérsékletét a termostát vezérlőgombja szabályozza, ami a fagyasztó első részére van beszerelve. A termostát vezérlőgombját felfelé vagy lefelé fordítva szabályozhatja a hőmérsékletet. A jelölések "1~4" a különböző hőmérsékleti fokozatokat jelölik. Az "1" állás a legmelegebb, a "4" állás pedig a leghidegebb. Állítsa a szabályozót az "1" és "4" közötti pozícióba normál használatához, a „2”-es fokozat átlagos felhasználáshoz megfelelő.

Fagyasztott élelmiszerek tárolása (opcionális)

A fagyasztó első használatakor vagy leolvasztás után legalább két órán keresztül állítsa a hőmérséklet-szabályozót a „4” fokozatba, mielőtt a tárolni kívánt élelmiszert bepakolná.

Minden fagyasztott élelmiszert, a lehető leghamarabb tegyen a fagyasztóba, hogy elkerülje azok kiolvadását. A gyártók által feltüntetett tárolási ajánlásokat mindig be kell tartani.

Vigyázzon, hogy a fiók ne rongálja meg a hűtőcsövet.

A fagyasztó első használatakor vagy leolvasztás után legalább két órán keresztül állítsa a hőmérséklet-szabályozót a „hidegebb” állásba, mielőtt a tárolni kívánt élelmiszert bepakolná.

Friss élelmiszerek fagyasztása

Biztosítsa, hogy a fagyasztási műveleteket a leghigiénikusabb körülmények között végezze, mivel a fagyasztás önmagában nem sterilizálja az élelmiszert. Célzerű az élelmiszereket külön étkezési adagokba csomagolva, és nem ömlesztve lefagyasztani. Soha ne tegyen forró vagy akár meleg élelmiszert a fagyasztóba. A fagyasztott élelmiszer tárolása előtt csomagolja műanyag zacskókba, alumíniumlapokba vagy fagyasztótartályokba, és helyezze a fagyasztóba. A fűzet hátulján található adatlapon található a friss élelmiszerek maximálisan megengedett mennyisége kilogrammban kifejezve, amelyet bármely 24 órás időszakban 25°C-os szobahőmérséklet mellett le lehet fagyasztani. Soha ne fagyasszon le többet a megengedett maximális értéknél.

MEGJEGYZÉS

Soha ne tegyen palackozott ételt vagy italt a fagyasztórekeszbe. A legjobb teljesítmény érdekében hagyjon elegendő helyet a fagyasztórekeszben, hogy a levegő keringhessen az élelmiszer körül. Értesítés: Bizonyos körülmények között a készülék fiókok nélkül is használható.

Leolvasztás

Húzza ki a hálózati csatlakozót a konnektorból, nyissa ki az ajtót, és tegye át az összes ételt egy hűvös helyre. Egy műanyag eszközzel kaparja ki a jeget, vagy hagyja, hogy az magától elolvadjon. Törölje le a maradék vizet egy száraz ruhadarabbal, majd csatlakoztassa a fagyasztót az áramforráshoz.

MEGJEGYZÉS

A fagyasztórekesz falának sérülésének elkerülése érdekében ne használjon éles tárgyakat a jég eltávolításához vagy a fagyasztott ételek leválasztásához.

A fagyasztó tisztítása

Mielőtt elkezdené a fagyasztó tisztítását, húzza ki a hálózati csatlakozót a konnektorból.

- A fagyasztó mögött és a földön rendszeresen fel kell takarítani a hűtés jó hatásfoka és az energiatakarékosság javítása érdekében.
- Rendszeresen ellenőrizze az ajtó tömitést, hogy ne legyenek rajta törmelékek. Tisztítsa meg az ajtó tömitést szappanos vízzel vagy mosószerrel megnedvesített puha ruhával.
- A fagyasztó belsejét rendszeresen tisztítani kell a szagok kialakulásának elkerülése érdekében.
- Tisztítás előtt áramtalanítsa a készüléket, távolítsa el az összes élelmiszert, kosarat, tárolót stb.
- Puha ruhával vagy szivaccsal, két evőkanál szóda bikarbónával és egy liter meleg víz keverékével tisztítsa meg a fagyasztó belsejét, majd öblítse le tiszta vízzel és törölje tisztára. A tisztítás után nyissa ki az ajtót, és hagyja, hogy magától megszáradjon.
- A fagyasztóban nehezen tisztítható területeket (például rések vagy sarkok) ajánlott rendszeresen áttörölni puha ronggyal, puha kefével stb. és szükség esetén néhány segédeszközzel (például vékony pálcikával), hogy ezeken a területeken ne halmozódjanak fel szennyeződések vagy baktériumok.
- Ne használjon szappant, mosószer, súrolóport, spray tisztítószert, stb., mivel ezek szagokat okozhatnak a fagyasztó belsejében vagy szennyezett élelmiszereket.
- A kosarakat szappanos vízzel vagy hígított mosószerrel nedvesített puha ruhával tisztítsa meg. Szárítsa meg puha ruhával vagy természetes úton.
- Törölje át a fagyasztó külső felületét szappanos vízzel, vagy mosószerrel benedvesített puha ruhával, majd törölje szárazra.
- Ne használjon kemény keféket, drótkéféket, súrolószereket (akár fogkrém is), szerves oldószereket (pl. alkohol, aceton, banánolaj stb.), forró vizet, savas vagy lúgos elemeket, amelyek károsíthatják a fagyasztó felületét és belsejét. A forrásban lévő víz és a szerves oldószerek, mint például a benzol, deformálhatják vagy károsíthatják a műanyag alkatrészeket.
- Ne öblítse le közvetlenül vízzel vagy más folyadékkal a tisztítás során a készüléket, hogy elkerülje a rövidzárlatot.

HASZNÁLATON KÍVÜL

Ha a fagyasztó hosszabb ideig nincs használatban, az alábbiak szerint járjon el: Húzza a konnektorból a készüléket.

Tisztítsa meg és szárítsa meg a fagyasztó belsejét a „Fagyasztó tisztítása” címszó alatt leírtak szerint.

Hagyja nyitva az ajtót, hogy megakadályozza a kellemetlen szagok kialakulását.

HIBAELHÁRÍTÁS

Meghibásodás esetén a gyakori problémákat könnyedén megoldhatja.

A fagyasztó nem működik

- Ellenőrizze, hogy a tápkábel ki van-e húzva.

Az ajtók nem záródnak be teljesen

Ellenőrizze, hogy:

- A fiókok nincsenek a helyükön.
- A tömítések elkoszolódtak.
- A fagyasztó nincs vízszintesen.

A fagyasztó zajos működés közben

- Ellenőrizze, hogy a vízszintesen áll-e, és nem ér hozzá más eszközhöz, vagy a konyhabútorhoz.

A fagyasztó nem hűt eléggé

Ellenőrizze, hogy:

- Ha az ajtót túl gyakran nyitották ki, vagy sok ideig volt nyitva, akkor időbe telik, amíg a fagyasztó eléri a beállított hőmérsékletet.
- Ellenőrizze, hogy a fagyasztó hátsó részén megfelelő a légáramlás.

A következő jellemzők nem jelentenek problémát.

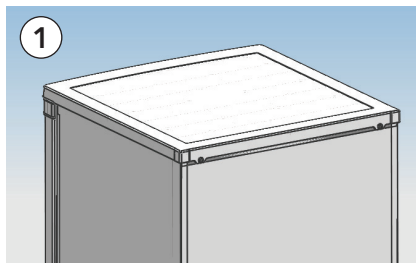
- A csőben áramló hűtőfolyadék által okozott halk nyikorgó hang.
- Magas hőmérsékleten működő kompresszor.



A szimbólum azt jelzi, hogy a helyi törvényeknek és előírásoknak megfelelően a készüléket a háztartási hulladéktól elkülönítve kell a hulladékba helyezni. Ha a termék eléri élettartama végét, vigye a helyi hatóságok által kijelölt gyűjtőpontra. A készülék elkülönített módon történő gyűjtése és újrahasznosítása segít megővni a természeti erőforrásokat, és biztosítja, hogy az újrahasznosítás az emberi egészség és a környezet védelmével összhangban történjen. A termék újrahasznosítása érdekében további információért forduljon az illetékesekhez, a helyi hulladékgyűjtő szolgáltatóhoz vagy ahhoz az üzlethez, ahol a terméket megvásárolta.

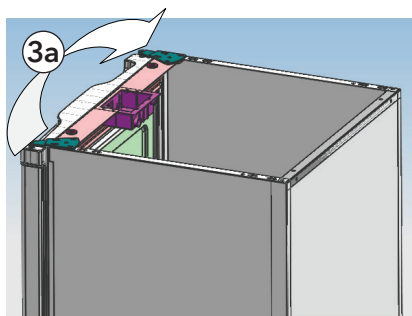
AZ AJTÓ NYITÁSIRÁNYÁNAK MEGVÁLTOZTATÁSA

1. Szedje ki a rögzített tető mögötti csavarokat egy csillagcsavarhúzóval, és vegye le a fedelet a hűtőszekrényről.



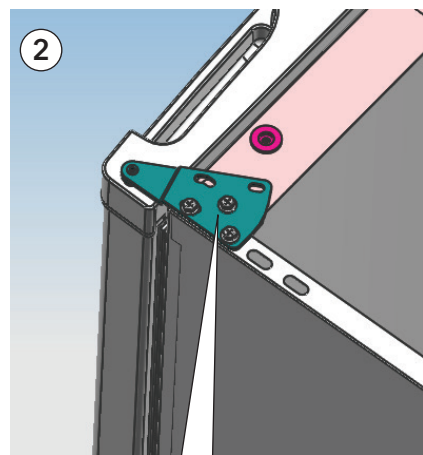
3. Szerelje át a felső zsanért, az ajtóhatárolót, valamint az ajtócsapágy perselyét a másik oldalra.

A. Szerelje át a felső zsanért.

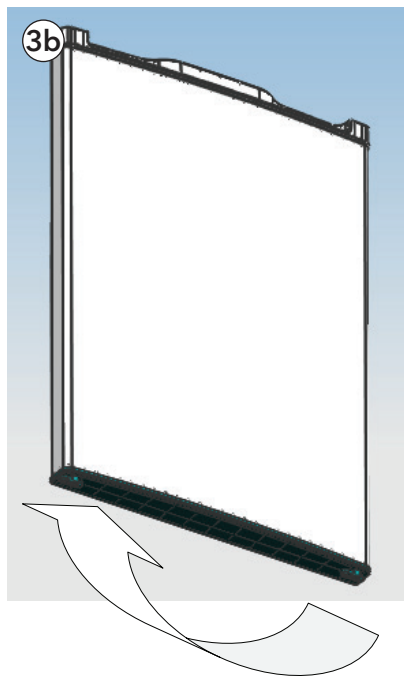


2. Távolítsa el a felső zsanér rögzítő csavarokat egy csillagcsavarhúzóval.

B. Szerelje át az ajtóhatárolót, valamint az ajtócsapágy perselyét a másik oldalra.



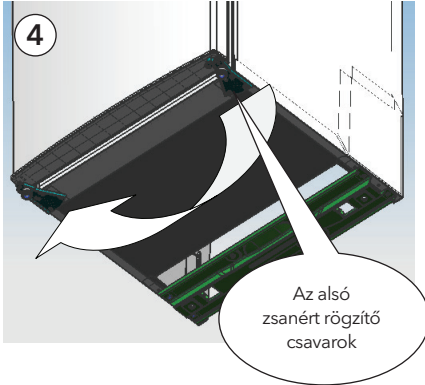
Csavarok a felső zsanér
rögzítéséhez



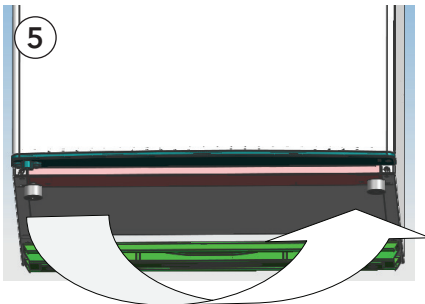
4. Szerelje le az alsó zsanért rögzítő csavarokat csillagcsavarhúzóval, és szerelje át a zsanért a másik oldalra, majd rögzítse a csavarokkal.

MEGJEGYZÉS

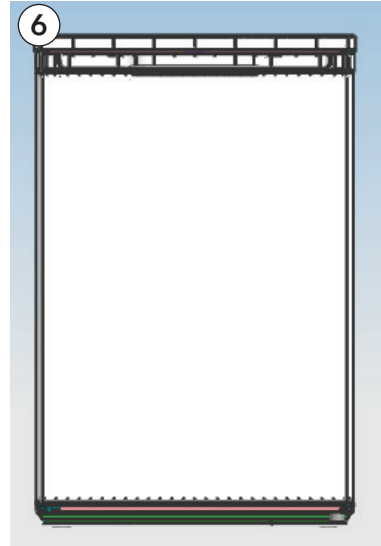
Ne döntse meg a készüléket 45°-nál nagyobb szögben.



5. Helyezze vissza a szintezőlábat a másik oldalra, és állítsa be vízszintesre a készüléket.



6. Állítsa az ajtót a megfelelő pozícióba, rögzítse a felső zsanért, majd a tetőfedőt.



Győződjön meg róla, hogy a készülék áramtalanítva van és üres. Állítsa a két szintező lábat a legmagasabb pozícióba. Javasoljuk, hogy valaki segítsen Önnek.

MEGJEGYZÉS

Az ajtó levételéhez a készüléket egy kicsit hátrafelé kell dönteni.

A készüléket megfelelően ki kell támasztani a szerelés időtartamára.

Ne fektesse el a készüléket, mert ez károsíthatja a hűtőrendszert.

ENERGIATAKARÉKOSSÁGI TIPPEK

- A készüléket a helyiség leghűvösebb részén kell elhelyezni, távol a hőleadó készülékektől, fűtőcsövektől és a közvetlen napfénytől.
- A forró ételeket előbb hűtse szobahőmérsékletűre, mielőtt hűtőbe teszi. A készülék túlterhelése miatt a kompresszor hosszabb ideig működik és több energiát fogyaszt.
- Ügyeljen arra, hogy az élelmiszerek megfelelően be legyenek csomagolva, törölje szárazra a tárolóedényeket, mielőtt a készülékbe helyezi azokat. Ez csökkenti a jégkőképződést a készülék belsejében.
- A készülék rekeszeit nem szabad alumíniumfóliával, viaszpapírral vagy papírtörkövel kibélelni. A különböző bélések akadályozzák a hideg levegő megfelelő áramlását és így a készülék kevésbé lesz hatékony.
- Rendszerezze és címkézze fel az élelmiszereket, hogy csökkentse az ajtónyitások és a hosszú keresgélések számát. Egyszerre csak annyi terméket vegyen ki, amennyire szükség van, és a lehető leghamarabb zárja be az ajtót.

Почитуван потрошувач:

Ви благодариме што го набавивте овој вертикален замрзнувач. За да извлечете максимум од вашиот нов замрзнувач, одвојте време за да ги прочитате едноставните упатства содржани во оваа брошура.

Осигурете се дека амбалажата е отстранета во согласност со важечките еколошки барања.

При отстранување на кое било парче опрема за замрзнување, за совети за безбедно отстранување консултирајте се со вашиот локален оддел за отстранување отпад.

Овој уред мора да се користи само за целите за кои е наменет.

Овој уред е наменет за употреба во домаќинства и слични околии како што се:

- кујна за персонал во продавници, канцеларии и други работни околии;
- земјоделски домаќинства и хотели, мотели и други станбени згради, кои се достапни за клиентите;
- објекти кои нудат ноќевање со појадок;
- угостителски и слични некомерцијални цели.

БЕЗБЕДНОСНИ ПРЕДУПРЕДУВАЊА

ПРЕДУПРЕДУВАЊЕ:



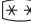
Предупредување: ризик од пожар/запаливи материјали




- Овој апарат е наменет за употреба во домаќинства и слични околии, како кујни за персонал во продавници, канцеларии и други работни околии; земјоделски домаќинства и хотели, мотели и други станбени згради, кои се достапни за клиентите; објекти кои обезбедуваат ноќевање со појадок; угостителски и слични некомерцијални цели.
- Ако кабелот за напојување е оштетен, треба да го замени производителот, неговиот овластен сервисер или лица со слични квалификации за да се избегне појава на опасност.
- Не чувајте експлозивни материји во овој уред, како што се аеросолни шишиња со запалив гас под притисок.
- Уредот по употреба, а пред неговото одржување, мора да се исклучи од струјното напојување.
- **ПРЕДУПРЕДУВАЊЕ:** Осигурете се дека отворите за вентилација не се блокирани во внатрешноста на местото за вградување или во конструкцијата за вградување на уредот.
- **ПРЕДУПРЕДУВАЊЕ:** Не користете механички средства или други постапки за забрзување на процесот на одмрзнување, ако не се препорачани од производителот.
- **ПРЕДУПРЕДУВАЊЕ:** Не ги оштетувајте инсталациите за средството за ладење.
- **ПРЕДУПРЕДУВАЊЕ:** Не користете електрични уреди во одделите за чување храна во овој уред, освен ако истите се препорачани од производителот.
- **ПРЕДУПРЕДУВАЊЕ:** Отстранете го фрижидерот во согласност со локалните регулативи затоа што истиот при работа користи запалив експлозивен гас и течност за ладење.
- **ПРЕДУПРЕДУВАЊЕ:** Кога го поставувате уредот, проверете дали кабелот за напојување не е притиснат или оштетен.
- **ПРЕДУПРЕДУВАЊЕ:** Не ставајте преносливи продолжни кабли со повеќе приклучоци или преносливи акумулатори зад уредот.
- Не користете продолжни кабли или незасемјени (двострани) адаптери.
- **ОПАСНОСТ:** Ризик од затворање на деца во внатрешноста на уредот. Пред да го фрлите вашиот стар фрижидер или замрзнувач:
 - Извадете ја вратата.
 - Оставете ги полиците во внатрешноста на уредот за да ги спречите децата да влезат внатре.
- Мора да го исклучите уредот од струјно напојување пред да се обидете да инсталирате било кој придружен елемент.
- Ладилното средство и пенливото средството циклопентан, кои што се користат во ладилникот, се запаливи. Затоа, при отстранување на фрижидерот, чувајте го подалеку од изворот на пламен и наместо да го отстранувате со согурување, предадете го на една од соодветните квалификувани компании за рециклирање за да овозможите истиот повторно да се користи, со што ќе се спречат неповолните ефекти врз животната средина или други опасности.
- За EN стандард: Овој уред може да го користат деца на возраст од 8 години или постари и лица со нарушена телесна, сензорна или ментална попреченост или лица со недостаток на искуство и знаење доколку се надгледувани или се упатени во безбедно користење на уредот и ги разбираат опасностите од неговата употреба. Децата не смеат да се играат со уредот. Децата не смеат да вршат одржување и чистење на уредот без надзор. Децата од 3 до 8 години можат да ставаат храна или да ја извадат од уредот за ладење.
- За IEC стандард: Овој уред не треба да се користи од лица (вклучително и деца) со нарушена физичка, сензорна или ментална

способност или недостаток на искуство и знаење, освен ако не се надгледувани од лице одговорно за нивната безбедност или обучени од соодветното лице за да го користат уредот.

- Децата треба да бидат надгледувани за да се осигурате дека не се играат со уредот.
- Упатството за употреба ги вклучува и следниве информации: За да избегнете загадување на храна, следете ги овие упатства:
 - Ако се држи вратата на уредот отворена подолго време, тоа може да предизвика значително зголемување на температурата во преградите на уредот.
 - Редовно чистете површини што можат да стапат во контакт со храна, како и достапни делови од дренажниот систем.
 - Исчистете ги садовите за вода доколку не сте ги користеле повеќе од 48 часа; ако 5 дена не сте зеле вода од уредот, исплакнете го системот за проток на вода поврзан со садот за вода. (забелешка 1)

- Чувајте го суровото месо и рибата во фрижидер во соодветни садови за да ги задржите овие намирници да не стапат во контакт со или да капеат над друга храна.

- Преградите за замрзната храна со ознака  се погодни за чување на претходно замрзната храна, за чување или правење сладолед и за правење коцки мраз. (забелешка 2)

- Преградите означени со една , две  или три  ѕвездички не се погодни за замрзнување на свежа храна. (забелешка 3)

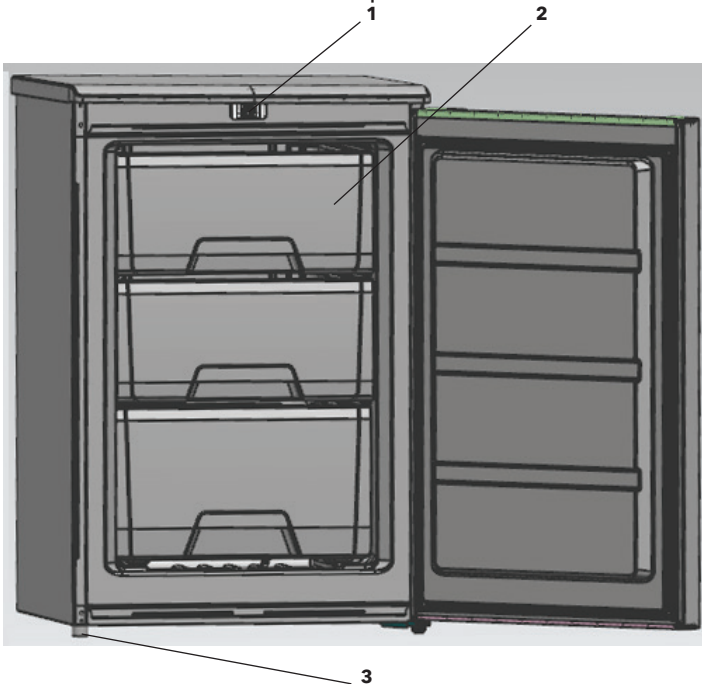
- Ако единицата за ладење е празна подолг временски период, исклучете ја, одмрзнете ја, исчистете ја и исушете ја, оставете ја вратата отворена за да се спречи развој на мувла во внатрешноста на уредот.

Забелешки 1, 2, 3: Осигурете се дека наведените информации се применливи за преградите на уредот што сте го купиле

ОПШТИ ИНФОРМАЦИИ

Овој вид фрижидер широко се користи на места како што се хотели, канцеларии, студенски домови и семејни домови. Најдобро одговара за ладење и чување на храна, како што е овошје и пијалоци. Неговите предности се мали димензии, мала тежина, мала потрошувачка на енергија и лесна употреба.

ГЛАВНА КОНФИГУРАЦИЈА



1. Термостат 2. Фиока 3. Ногарка за израмнување

ОТПАКУВАЊЕ НА ВАШИОТ ЗАМРЗНУВАЧ

ПРЕДУПРЕДУВАЊЕ: Потребни се две или повеќе лица за да го преместат замрзнувачот. Во спротивно, може да настанат повреди на грбот или други повреди.

- Пред употреба, отстранете ја лепливата лента и сите можни налепници од замрзнувачот (освен налепницата што го покажува распоредот на уредот).
- За да ги отстраните преостанатите делови од лепливата лента или самото лепило, енергично тријте ја површината со прстот.
- Преостанатите делови од лепливата лента или лепилото, исто така, можат лесно да се отстранат со триење на мала количина течност за миеење садови преку лепилото со помош на прстите. Избришете со топла вода и исушите.
- Не користете остри предмети, триење со алкохол, запаливи течности или абразивни средства за чистење за да ги отстраните лепливите ленти или лепило. Наведните производи можат да ја оштетат површината на Вашиот замрзнувач.
- При мesteње на замрзнувачот, да не се наведнува истиот под агол поголем од 45° во однос на вертикалната положба.

ЧИСТЕЊЕ ПРЕД УПОТРЕБА

Откако ќе ја отстраните целата амбалажа (особено е важно да го отстраните стиропорот што лежи помеѓу надворешниот ладелник и куќиштето), а пред да го користите вашиот замрзнувач, исчистете го однатре.

БАРАЊА ВО ВРСКА СО ЛОКАЦИЈАТА НА УРЕДОТ

ПРЕДУПРЕДУВАЊЕ: Запаливите материјали и испарувања, како што е бензинот, чувајте ги подалеку од замрзнувачот. Во спротивно, може да се случи смрт, експлозија, пожар или изгореници.

- За да обезбедите соодветна вентилација на замрзнувачот, оставете простор од 200 mm помеѓу сидовите и двете страни на замрзнувачот, 200 mm помеѓу задниот дел на замрзнувачот и сидот и 300 mm помеѓу горната површина на замрзнувачот и површината над истиот.
- Ако сакате замрзнувачот да го поставите веднаш до фиксираниот сид, оставете доволно простор на таа страна каде што се шарките за да има простор за отварање на вратата.
- Замрзнувачот никогаш да не се поставува во близина на извор на топлина и на места изложени на директна сончева светлина.

БАРАЊА ЗА ЕЛЕКТРИЧНА ИНСТАЛАЦИЈА ЗА УРЕДОТ

ПРЕДУПРЕДУВАЊЕ: ДА НЕ СЕ ОТСТРАНУВА ЗАЗЕМЈУВАЊЕ. ДА НЕ СЕ КОРИСТИ АДАПТЕР. ДА НЕ СЕ КОРИСТИ ПРОДОЛЖЕН КАБЕЛ.

Во спротивно, тоа може да предизвика смрт, пожар или електричен шок. Пред да го преместите вашиот замрзнувач на неговата крајна локација, важно е да бидете сигурни дека тој е опремен со соодветни електрични врски.

Препорачан метод на заземјување

Потребен е пристап до наизменична струја исклучиво од 220 ~ 240 волти / 50 Hz AC, кој е поврзан со осигурувач од 10 ампери и со соодветно заземјување. Се препорачува да се обезбеди посебно струјно коло за снабдување исклучиво на овој уред. Користете штекер што не може да се исклучи преку прекинувач за вклучување или прекинувач на влечење. Не користете продолжен кабел.

ЗАБЕЛЕШКА

Пред да извршите било каков вид инсталација, прекинете го напојувањето во замрзнувачот. Кога ќе завршите, поврзете го замрзнувачот со изворот на напојување и прилагодете ги контролите на саканата поставка.

ИЗРАМНУВАЊЕ

Ако замрзнувачот не се израмни за време на инсталацијата, вратата може да не се затвори правилно или нема целосно да се затвори, што може да предизвика проблеми при ладење, создавање на мраз или влага. Исклучително е важно замрзнувачот да се израмни за да може правилно да функционира.

За да го израмните замрзнувачот, можете да ја ротираете ногарката за израмнување во правец на стрелките на часовникот за да ја кренете страната на замрзнувачот на која се наоѓа ногарката, или спротивно од стрелките на часовникот за да ја спуштите страната на замрзнувачот.

ЗАБЕЛЕШКА

Ако некој ви помогне со буткање на горниот дел на замрзнувачот, тоа ќе ја намали тежината врз ногарката за израмнување. Ова го олеснува прилагодувањето на ногарката за израмнување.

КОРИСТЕЊЕ НА УРЕДОТ

Со цел најдобро да се искористи вашиот нов замрзнувач, важно е да го користите правилно.

Контрола на температура (опција)

Температурата во внатрешноста на замрзнувачот се контролира со помош на копчето за контрола на термостатот. Копчето се наоѓа на горниот дел од предниот дел на замрзнувачот. За да ја прилагодите температурата во замрзнувачот, свртете го копчето за контрола на термостатот нагоре или надолу. Ознаките на контролното копче ги прикажуваат вредностите „1~4“, со кои се означуваат различни температурни вредности. Температурните вредности се намалуваат, при што температурните вредности на позиција „1“ се највисоки, а на позиција „4“ се најниски.

При нормална употреба, прилагодете ги контролите во положба помеѓу вредностите „1“ и „4“. Точната позиција е надвор од температурните вредности во внатрешноста на замрзнувачот. Генерално, изберете вредност „2“.

Температурата во внатрешноста на замрзнувачот се контролира со помош на копчето за контрола на термостатот. Копчето се наоѓа на горниот дел од предниот дел на замрзнувачот. За да ја прилагодите температурата во замрзнувачот, свртете го копчето за контрола на термостатот нагоре или надолу. На ознаките на контролното копче се прикажани вредности „cold~colder“ („студено-постудено“), што означуваат различни температурни вредности. Температурните вредности се намалуваат, при што најголемите вредности се на позиција „cold“ („студено“), а на позиција „colder“ („постудено“) се најмали.

При нормална употреба, прилагодете ги контролите во позиција помеѓу „cold“ („студено“) и „colder“ („постудено“). Точната позиција е надвор од температурата во внатрешноста на замрзнувачот. Генерално, изберете вредност „“.

Чување на замрзната храна (опција)

Кога го користите замрзнувачот за прв пат или по одмрзнувањето, завртете го копчето за контрола на температурата на вредност „4“ за период од најмалку два часа пред да ја ставите храната да се чува во уредот.

Од суштинско значење е да ги ставите во замрзнувачот, што е можно поскоро, сите замрзнати прехранбени производи што сте ги купиле, за да избегнете одмрзнување на замрзната храна. Секогаш следете ги препораките на производителот во врска со складирање на замрзната храна, а кои се отпечатени на амбалажата.

Имајте на ум дека фиоката не смее да ги оштети цевките за ладење.

Кога го користите замрзнувачот за прв пат или по одмрзнувањето, завртете го копчето за контрола на температурата на „colder“ („постудено“) за период од најмалку два часа пред да ја ставите храната да се чува во уредот.

Од суштинско значење е да ги ставите во замрзнувачот, што е можно поскоро, сите замрзнати прехранбени производи што сте ги купиле, за да избегнете одмрзнување на замрзната храна.

Секогаш следете ги препораките на производителот во врска со складирање на замрзната храна, а кои се отпечатени на амбалажата.

Имајте на ум дека фиоката не смее да ги оштети цевките за ладење.

Замрзнување на свежа храна

Осигурете се да ги извршите процедурите за замрзнување под највисоки хигиенски услови, бидејќи самото замрзнување не подразбира стерилизација на храна. Се препорачува да не се замрзнува целата количина во исто време, туку да се пакува храна во одделни делови доволни за еден оброк. Никогаш не ставајте жешка, па дури и топла храна во замрзнувач. Пред да ја ставите замрзнатата храна, спакувајте ја во пластични кеси, алуминиумска фолија или во садови за замрзнување, а потоа ставете ја во замрзнувач. На задната страна од оваа брошура, видете ја страницата со податоци за максимална дозволена количина на свежа храна, изразена во килограми, која може да се замрзне за период од 24 часа на собна температура од 25 °C. Никогаш не замрзнувајте храна во количина поголема од максимално дозволена.

ЗАБЕЛЕШКА

Никогаш не ставајте флаширана храна или пијалоци во замрзнувачот. За најдобри резултати, оставете доволно простор во одделот за замрзнување за да дозволите воздухот да циркулира околу пакувањето.

Известување: Под одредени услови, можете да го користите без фиока.

Одмрзнување

Издадете го приклучокот од сидниот штекер, отворете ја вратата и преместете ја целата храна на ладно место. Отстранете го мразот со употреба на пластична шпатула или оставете ја температурата природно да се искачи на ниво што дозволува мразот да се стопи. Потоа избришете ги останатите мраз и вода, а потоа повторно поврзете го замрзнувачот во штекерот.

ЗАБЕЛЕШКА

За да избегнете оштетување на сидовите на просторот за замрзнување, не користете остри предмети за да го отстраните мразот или да издвојувате замрзната храна.

Чистење на замрзнувачот

Пред да го исчистите замрзнувачот, извлекете го приклучокот од штекерот.

- За да се зајакне ефектот на ладење и заштеда на енергија, потребно е навремено да се исчисти павот зад фрижидерот и од подот.
- Редовно проверувајте ги заптивките на вратите за да бидете сигурни дека не се извалкани. И исчистете ги заптивките на вратите со мека крпа навлажнета со вода со сапуница или со разреден детергент.
- За да се избегне формирање на непријатни мириси, внатрешноста на фрижидерот мора редовно да се чисти.
- Пред да ја исчистите внатрешноста на уредот, прекинете го напојувањето и отстранете ја целата

храна, пијалоци, полици, фиоки и др.

- За чистење на внатрешноста на фрижидерот, користете мека крпа или сунѓер и четвртина литар топла вода во која се раствораат две лажички сода бикарбона. Потоа исплакнете со вода и избришете. По чистењето, отворете ја вратата на уредот и оставете го уредот да се исуши природно пред повторно да го поврзете на ступно напојување.
- За делови од фрижидерот што се чистат тешко (како тесни места, отвори или англи), се препорачува редовно бришење со мека крпа, мека четка и слично а, кога е тоа потребно, и употреба на одредени помошни предмети (како што се тенки стапчиња), со што се спречува акумулацијата на загадувачи или бактерии во споменатите делови.
- Не користете сапуни, детергенти, абразивен прав за чистење, средства за чистење со прскалки, и слично, затоа што гореспомнатите агенси можат да доведат до формирање на непријатни мириси во фрижидерот или до загадување на храна.
- Исчистете ги држачите на шишиња, полиците и фиоките со мека крпа навлажнета со вода со сапуница или разреден детергент. Исушете со мека крпа или оставете да се исуши природно.
- Избришете ги надворешните површини на фрижидерот со мека крпа навлажнета со сапун, детергент, и слично, а потоа исушите со бришење.
- Не користете тврди четки, челични жици за чистење, четки со жица, абразиви (како што се паста за заби), органски растворувачи (како алкохол, ацетон, масло од банана, и т.н.), вода што врие, кисели или алкални агенси кои можат да ги оштетат површините и внатрешноста на фрижидерот. Зовриена вода и органските растворувачи, како што е бензенот, можат да ги деформираат или оштетат пластичните елементи.
- За време на чистењето, не плакнете го уредот директно со вода или други течности, бидејќи тоа ќе оневозможи куса врска и оштетување на електричната изолација за време на чистењето.

ПОДОЛГИ ПЕРИОДИ НА НЕУПОТРЕБА

Ако замрзнувачот нема да се користи подолг временски период, постапете на следниот начин: Исклучете го замрзнувачот од штекерот со отстранување на приклучокот од ѕидниот штекер. Исчистете ја и исушете ја внатрешноста како што е опишано во делот за чистење на замрзнувачот. Оставете ја вратата отворена за да спречите формирање на непријатни мириси во периодот кога замрзнувачот нема да се користи.

ОТСТРАНУВАЊЕ НА ПРОБЛЕМИ

Во случај уредот да не работи како што треба, можете лесно да решите многу вообичаени проблеми.

Вашиот замрзнувач не работи

- Проверете дали кабелот за напојување е исклучен од штекерот.

Вратата не се затвора целосно

Проверете:

- Дали фиоките се во погрешна позиција.
- Дали заптивките се валкани.
- Дали замрзнувачот е несоодветно израмнет.

Замрзнувачот е бучен кога работи

- Проверете дали замрзнувачот е израмнет и дали е во контакт со кој било друг уред или парче кунски мебел.

Замрзнувачот не лади доволно

Проверете

- Дали вратата на уредот се отвора премногу често, или дали е оставена отворена подолг временски период; потребно е време замрзнувачот да ја достигне поставената температура.
- Дали е намален протокот на воздух во задниот дел на замрзнувачот поради недоволен простор.

Следниве карактеристики не треба да се сметаат за проблеми.

- Звукот на истекување на течноста, поради протокот на течноста за ладење низ цевките, е пригушен.
- Работа со компресорот на високи температури.

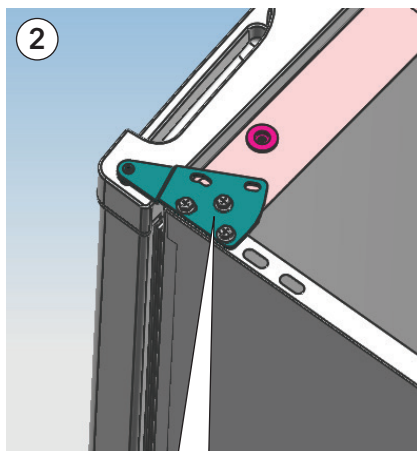
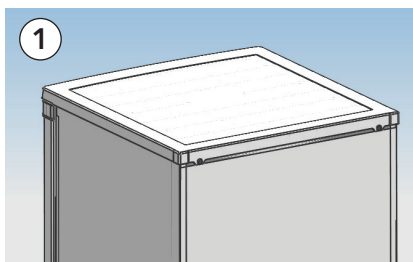


Правилно отстранување на овој производ

Оваа етикета означува дека овој производ во рамките на ЕУ не треба да се отстранува со друг домашен отпад. За да се спречи евентуално оштетување на животната средина или здравјето на луѓето од неконтролирано отстранување на отпадот, одговорно рециклирајте го за да се промовира одржлива повторна употреба на материјалните ресурси. За да го вратите користениот уред, користете системи за враќање и собирање отпад или контактирајте го малопродажниот објект каде што сте го купиле производот. На овој начин производот може да се рециклира на начин безбеден за животната средина.

УПАТСТВА ЗА ПРОМЕНА (ЛЕВО ИЛИ ДЕСНО) НА ОТВАРАЊЕТО НА ВРАТАТА НА ФРИЖИДЕРОТ ПРИ ИНСТАЛАЦИЈА (ОПЦИЈА)

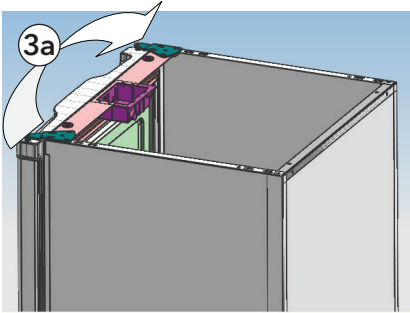
1. Со помош на шрафцигер со вкрстена глава, извадете ги завртките зад фиксираната горната површина и извадете го капакот на фрижидерот.
2. Користете шрафцигер со вкрстена глава за да ги отстраните завртките што ја обезбедуваат горната шарка.



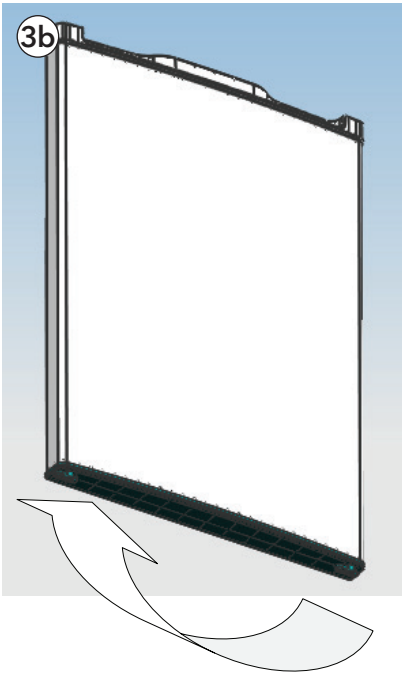
Завртки што ја прицврстуваат горната шарка

3. Горната шарка и граничниот блок на вратата, како и едноделната подлошка за вратата, повторно ставете ги на спротивната страна од уредот.

A. Поставете ја горната шарка.



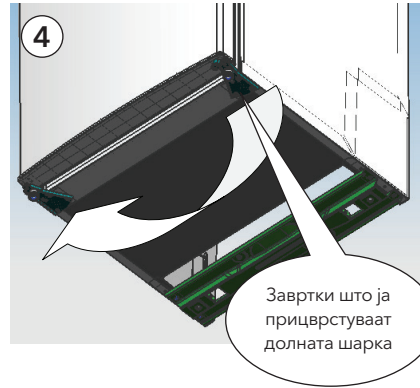
Б. Поставете ја едноделната подлошка и граничниот блок за вратата.



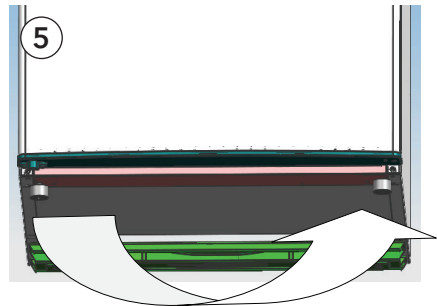
4. Користејќи шрафцигер со вкрстена глава, извадете ги завртките што ја обезбедуваат долната шарка и поставете ја шарката на спротивната страна на уредот, а потоа зацврстете ја со завртки.

ЗАБЕЛЕШКА

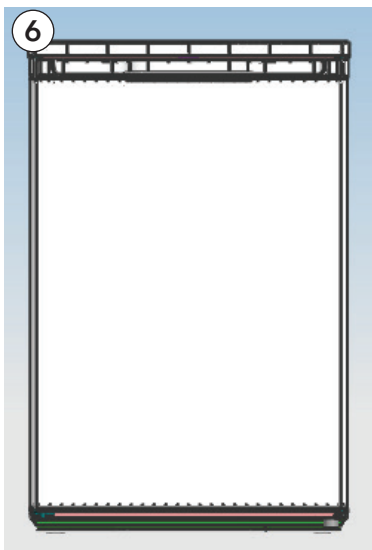
Наклонот на фрижидерот мора да биде помал од 45°.



5. Поставете го израмнувачот на спротивната страна од уредот и прилагодете го за да бидете сигурни дека кукиштето е нивилирано.



6. Поставете ја вратата во правилна позиција и прицврстете ја горната шарка, а потоа и капакот на горниот дел од уредот.



Осигурете се дека уредот е исклучен од струјно напојување и испразнет. Наместете ги двете ногарки за израмнување на нивната највисока позиција. Препорачуваме да најдете некој кој што ќе ви помогне при израмнувањето.

ЗАБЕЛЕШКА

За да ја отстраните вратата, треба да го навалите уредот наназад. Треба да го потпирате уредот на цврст предмет, на пр. столица, на делот веднаш под горната површина..

Не ставајте ја уредот во целосно хоризонтална положба бидејќи тоа може да го оштети системот за инсталација на ладилното средство

СОВЕТИ ЗА ЗАШТЕДА НА ЕНЕРГИЈА

- Уредот треба да се стави на најстуденото место во просторијата, подалеку од генератори на топлина или цевки за греење, на место кое не е изложено на директна сончева светлина.
- Оставете ја храната да се олади на собна температура пред да ја ставите топлата храна на уредот. Со преполнување на уредот, компресорот е принуден да работи подолго. Храната што се замрзнува премногу бавно може да изгуби на квалитет или да се расипе.
- Осигурете се дека храната е правилно спакувана и исушете ги садовите пред да ги ставите во уредот. Ова го намалува формирањето на мраз во внатрешноста на уредот.
- Не ги покривајте фиоките за складирање на уредот со алуминиумска фолија, мрсна хартија или хартиени крпи. Материјалот што се користи за обложување влијае на циркулацијата на ладниот воздух, правејќи го уредот помалку ефикасен.
- Организирајте и обележете ја храната за да уредот што поретко се отвара и посакувана храна да ја барате во што е можно покус временски период. Земете сè што ви треба одеднаш и затворете ја вратата на уредот што е можно поскоро.

Dragă client:

Vă mulțumim că ați cumpărat acest congelator vertical. Pentru a vă asigura că obțineți cele mai bune rezultate de la noul dvs. congelator, vă rugăm să acordați timp pentru a citi instrucțiunile simple din această broșură.

Vă rugăm să vă asigurați că materialul de ambalare este eliminat în conformitate cu cerințele de mediu actual.

Când aruncați orice echipament de congelare, vă rugăm să contactați departamentul local de eliminare a deșeurilor pentru sfaturi privind eliminarea în condiții de siguranță.

This appliance must be only used for its intended purpose.

Acest aparat este destinat să fie utilizat în gospodărie și în aplicații similare cum ar fi
- bucătării personalului din magazine, birouri și alte medii de lucru;

- case ferme și de către clienți din hoteluri, moteluri și alte medii de tip rezidențial; Do not store explosive substances such as aerosol cans with a flammable propellant in this appliance.

- medii tip pensiune;

- catering și aplicații similare.

INFORMAȚII DE SIGURANȚĂ

ATENȚIE:



Atenție: risc de incendiu / materiale inflamabile

- Acest aparat este destinat să fie utilizat în spații casnice sau similare, cum ar fi zonele de bucătărie ale personalului din magazine, birouri și alte medii de lucru; case, ferme sau de către clienți în hoteluri, pensiuni și alte medii de tip hotel; medii de tip pensiune;
- În cazul în care cablul de alimentare este deteriorat, acesta trebuie înlocuit de producător, service autorizat sau de persoane calificate pentru a evita un pericol.
- Nu depozitați substanțe explozive, cum ar fi cutii de aerosoli, cu un propulsor inflamabil în acest aparat.
- The appliance has to be unplugged after use and before carrying out user maintenance on the appliance.
- **ATENȚIE:** Păstrați orificiile de ventilație, în interiorul aparatului sau în structura încorporată, ferite de obstacole.
- **ATENȚIE:** Nu folosiți dispozitive mecanice sau alte mijloace pentru a accelera procesul de decongelare, altele decât cele recomandate de producător.
- **ATENȚIE:** Nu deteriorați circuitul refrigerantului.
- **ATENȚIE:** Nu folosiți aparate electrice în interiorul compartimentelor de depozitare a alimentelor, decât dacă sunt de tipul recomandat de producător.
- **ATENȚIE:** Vă rugăm să lăsați frigiderul în conformitate cu regulatoarele locale pentru ca acestea să folosească gaz de suflare inflamabil și agentul frigorific.
- **ATENȚIE:** Când instalați aparatul, asigurați-vă că cablul de alimentare nu este prins sau deteriorat.
- **ATENȚIE:** Nu instalați mai multe prize de priză sau surse de alimentare portabile în spatele aparatului.
- Nu folosiți prelungitoare sau adaptoare fără împământare.
- **ERICOL:** Riscul de blocare al copilului. Înainte de a arunca frigiderul sau congelatorul vechi:
 - Scoateți ușile.
 - Scoateți rafturile pentru ca copiii să nu poată urca cu ușurință înăuntru.
- Frigiderul trebuie deconectat de la sursa de alimentare electrică înainte de a încerca instalarea accesoriilor
- Materialele ca refrigerant sau ciclopentan sunt utilizate pentru frigider și sunt inflamabile. Prin urmare, atunci când frigiderul este depanat, acesta trebuie să fie ferit de orice sursă de incendiu și să fie recuperat de o companie specială de recuperare, cu calificarea corespunzătoare.
- Pentru standardul EN: Acest aparat poate fi utilizat de copii cu vârste cuprinse între 8 ani sau peste și persoane care au capacități senzoriale sau mentale fizice reduse sau lipsă de experiență și cunoștințe dacă li s-a oferit supraveghere sau instrucțiuni privind utilizarea aparatului într-un mod sigur și înțeleg pericolele implicate. Copiii nu se vor juca cu aparatul. Curățarea și întreținerea nu trebuie făcute de copii fără supraveghere.
- Children aged from 3 to 8 years are allowed to load and unload refrigerating appliances.
- Pentru standardul IEC: Acest aparat nu este destinat utilizării de către persoane (inclusiv copii) cu capacități fizice, senzoriale sau mentale reduse sau lipsă de experiență și cunoștințe, cu excepția cazului în care li s-a oferit supraveghere sau instrucțiuni privind utilizarea aparatului de către o persoană responsabil (pentru siguranța lor.)

- Copiii trebuie supravegheați pentru a vă asigura că nu se joacă cu aparatul.
- Instrucțiunile trebuie să conțină substanța următoarelor: Pentru a evita contaminarea alimentelor, vă rugăm să respectați următoarele instrucțiuni:
 - Deschiderea ușii pentru perioade lungi de timp poate provoca o creștere semnificativă a temperaturii în compartimentele aparatului.
 - Curățați în mod regulat suprafețele care pot intra în contact cu alimentele și sistemele de drenaj accesibile.
 - Rezervoare de apă curate dacă nu au fost utilizate timp de 48 de ore; spălați sistemul de apă conectat la o sursă de apă dacă apa nu a fost extrasă timp de 5 zile (NOTĂ 1)
 - Păstrați carnea și peștele crude în recipiente

adecvate în frigider, astfel încât să nu fie în contact cu sau să picure pe alte alimente.

- Compartimentul cu două stele **[**]** pentru mâncare congelată suitable for storing pre-frozen food, storing or making ice-cream and making ice cubes. (NOTĂ 2)

- One **[*]**, two **[**]** and three-star **[***]** compartments are not suitable for the freezing of fresh food. (NOTĂ 3)

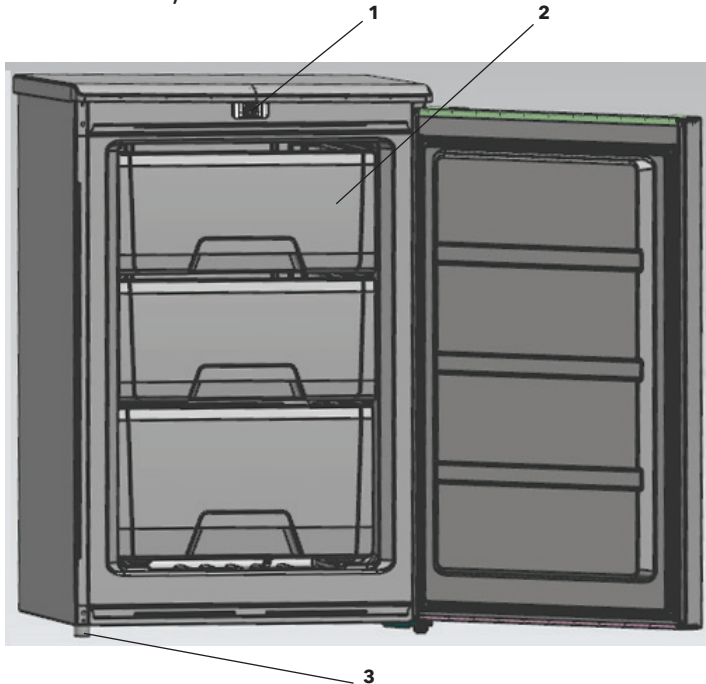
- If the refrigerating appliance is left empty for long periods, switch off, defrost, clean, dry, and leave the door open to prevent mould developing within the appliance.

NOTĂ 1,2,3 - Please confirm whether it is applicable according to your product compartment type.

GENERAL

Acest tip de frigider este utilizat pe scară largă în locuri precum hoteluri, birouri, cămine studențești și case. Este potrivit în special pentru conservarea alimentelor precum fructele și băuturile. Se bucură de avantajele dimensiunilor mici, ușor, consum redus de energie electrică și utilizare ușoară.

CONFIGURAȚIE PRINCIPALĂ



1.Termostat 2. Sertar 3. Picior de stabilizare

UNPACKING YOUR FREEZER

ATENȚIE: Folosiți două sau mai multe persoane pentru a muta frigiderul.

Nerespectarea acestui lucru poate duce la vătămare la spate sau alte leziuni.

- Scoateți banda și orice etichete din frigider înainte de utilizare (cu excepția etichetei de evaluare).
- Pentru a îndepărta orice bandă adezivă sau adeziv rămas, frecați zona rapid cu degetul mare.
- Banda sau reziduurile de lipici pot fi, de asemenea, îndepărtate cu ușurință, frecând cu degetele și o cantitate mică de săpun lichid pentru vase peste adeziv. Ștergeți cu apă caldă și uscați.
- Nu utilizați instrumente ascuțite, alcool pentru frecare, lichide inflamabile sau produse de curățare abrazive pentru a îndepărta banda sau lipiciul. Aceste produse pot deteriora suprafața frigiderului.
- Când mutați frigiderul, nu înclinați frigiderul peste 45 ° din poziția verticală.

CURĂȚARE ÎNAINTE DE UTILIZARE:

După ce îndepărtați toate materialele de ambalare, în special spuma dintre condensatorul exterior și carcasă trebuie îndepărtată, curățați interiorul frigiderului înainte de al utiliza.

CERINȚE SPAȚIU

ATENȚIE: Păstrați materialele și vaporii inflamabili, cum ar fi benzina, departe de frigider.

Nerespectarea acestui lucru poate duce la moarte, explozie, amendă sau arsuri.

- Pentru a asigura o ventilație adecvată frigiderului, lăsați spațiu de 200 mm pe fiecare parte între pereți, spațiu de 200 mm între spatele frigiderului și perete și spațiu de 300 mm între blat și acoperiș sau tavan.
- Dacă instalați frigiderul lângă un perete fix, lăsați suficient spațiu pe partea balamalei pentru a permite deschiderea ușii.
- Nu instalați niciodată frigiderul lângă o sursă de căldură și lumina directă a soarelui.

ELECTRICAL REQUIREMENT

ATENȚIE: DO NOT REMOVE GROUND PRONG.

NU FOLOȘIȚI UN ADAPTOR DE PRIZĂ

NU FOLOȘIȚI UN PRELUNGITOR

Nerespectarea acestor instrucțiuni poate duce la deces, incendiu sau electrocutare.

Înainte de a muta frigiderul în locația sa finală, este important să vă asigurați că aveți conexiunea electrică adecvată.

Metoda de împământare recomandată

Este necesară o sursă de alimentare de la 220 ~ 240 Volt / 50 Hz AC doar 10 ampere fuzionată și împământată corespunzător. Se recomandă furnizarea unui circuit separat care să deservească numai acestui aparat. Utilizați un recipient care nu poate fi oprit cu un întrerupător sau cu un lanț de tragere. Nu utilizați un prelungitor.

NOTĂ

Înainte de a efectua orice tip de instalare, deconectați frigiderul de la sursa electrică. Când ați terminat, conectați frigiderul la sursa electrică și resetați comanda la setarea dorită.

STABILIZARE

Dacă frigiderul nu este nivelat în timpul instalării. Este posibil ca ușile să nu se închidă sau să nu se sigleze corect, cauzând probleme de răcire, îngheț sau umiditate. Este foarte important ca frigiderul să fie stabilizat pentru a funcționa corect. Pentru a vă echilibra frigiderul, puteți roti piciorul de nivel în sensul acelor de ceasornic pentru a ridica acea parte a frigider sau rotiți în sens invers acelor de ceasornic pentru a coborî acea parte.



Făcând pe cineva să împingă partea superioară a frigiderului, ia o greutate de pe piciorul de nivelare. Acest lucru face mai ușoară reglarea piciorului de nivelare.

UTILIZAREA APARATULUI

Pentru a obține cele mai bune rezultate posibile din frigiderul dvs., este important să îl utilizați corect.

Controlul Temperaturii (opțional)

Temperatura din congelator este controlată de butonul de control al termostatului și este încărcată în partea din față a congelatorului. Rotiți butonul de control al termostatului în sus sau în jos pentru a regla temperatura din congelator. Marcajele de pe butonul de control indică „1 ~ 4” pentru diferitele grade de temperatură. Temperatura scade cu poziția „1” fiind cea mai caldă și poziția „4” fiind cea mai rece. Setează comanda în poziția între „1” și „4” pentru utilizare normală, poziția exactă depășește temperatura din congelator, în general, alegeți numărul „2”.

Depozitarea mâncării congelate (opțional)

Când folosiți congelatorul pentru prima dată sau după dezghețare, rotiți butonul de control al temperaturii pentru a seta „4” timp de cel puțin două ore înainte de a introduce alimentele de depozitat.

Toate produsele congelate pe care le achițiționați trebuie plasate în congelator cât mai curând posibil pentru a evita decongelarea alimentelor congelate. Recomandările de depozitare tipărite pe ambalajul alimentelor congelate de către producători trebuie respectate întotdeauna.

Aveți grijă ca sertarul să nu manipuleze conducta de refrigerare

Când utilizați congelatorul pentru prima dată sau după dezghețare, rotiți controlul temperaturii pentru a seta „mai rece” timp de cel puțin două ore înainte de a introduce alimentele care trebuie depozitate.

Congelarea mâncării proaspete

Asigurați-vă că operațiunile dvs. de congelare sunt efectuate în cele mai igienice condiții, deoarece congelarea singură nu sterilizează alimentele. Este recomandabil să congelați alimentele împachetându-le în porții separate de masă și nu în formă de vrac. Nu puneți niciodată alimente fierbinți sau chiar calde în congelator. Înainte de a depozita alimentele congelate, împachetați-le în pungi de plastic, foi de aluminiu sau recipiente pentru congelare și puneți-le în congelator. Consultați fișa tehnică din spatele acestei broșuri pentru cantitatea maximă admisă în kilograme de alimente proaspete care pot fi congelate în orice perioadă de 24 de ore cu o temperatură a camerei de 25 °C. Nu înghețați niciodată mai mult decât maximul permis.



Nu puneți niciodată mâncare sau băuturi îmbuteliate în compartimentul congelatorului. Pentru cele mai bune performanțe, lăsați suficient spațiu în congelator și compartimentul frigider pentru ca aerul să circule în jurul ambalajelor. De asemenea, lăsați suficient spațiu în față, astfel încât ușa să se poată închide bine.

Dezghețare

Scoateți ștecherul de la priza de perete, deschideți ușa și scoateți toate alimentele într-un loc răcoros. Decongeleți folosind un răzuitor din plastic sau lăsați temperatura să crească în mod natural până când topirea înghețului. Ștergeți apoi gheața și apa rămasă, după care conectați congelatorul la rețeaua de alimentare.



Pentru a evita deteriorarea peretelui compartimentului de congelare, nu folosiți obiecte ascuțite pentru a îndepărta gheața sau a separa alimentele congelate..

Curățare

Înainte de a începe curățarea frigiderului, scoateți ștecherul de la sursa de alimentare.

- Praful din spatele frigiderului și de la sol trebuie curățat în timp util pentru a îmbunătăți efectul de răcire și economisirea de energie.
- verificați în mod regulat garnitura ușii pentru a vă asigura că nu există resturi. Curățați garnitura ușii cu o cârpă moale umezită cu apă cu săpun sau detergent diluat.
- Interiorul frigiderului trebuie curățat regulat pentru a evita mirosurile.
- Opriți alimentarea înainte de a curăța interiorul, îndepărtați toate alimentele, băuturile, rafturile, sertarele etc.
- Folosiți o cârpă moale sau un burete pentru a curăța interiorul frigiderului, cu două linguri de bicarbonat de sodiu și un litru de apă caldă. Apoi clătiți cu apă și ștergeți-l. După curățare, deschideți ușa și lăsați-o să se usuce natural înainte de a porni alimentarea.
- Pentru zonele dificil de curățat în frigider (cum ar fi locuri înguste, goluri sau colțuri), se recomandă ștergerea lor regulată cu o cârpă moale, perie moale etc. și, atunci când este necesar, combinată cu unele instrumente auxiliare (precum sub formă de bețișoare subțiri) pentru a se asigura că nu se acumulează contaminanți sau bacterii în aceste zone.
- Nu utilizați săpun, detergent, pulbere de curățat, spray de curățat etc., deoarece acestea pot provoca mirosuri în interiorul frigiderului sau alimente contaminate.
- Curățați rama sticlei, rafturile și sertarele cu o cârpă moale umezită cu apă cu săpun sau detergent diluat. Uscați cu o cârpă moale sau uscați natural.
- Ștergeți suprafața exterioară a frigiderului cu o cârpă moale umezită cu apă cu săpun, detergent etc., apoi ștergeți-o uscat.
- Nu utilizați perii dure, bile de oțel, perii de sărmă, abrazivi (cum ar fi pastele de dinți), solvenți organici (cum ar fi alcool, acetonă, ulei de banane etc.), apă clocotită, obiecte acide sau alcaline, care pot deteriora frigiderul suprafață și interior. Apa clocotită și solvenții organici precum benzenul pot deforma sau deteriora piesele din plastic.
- Nu clătiți direct cu apă sau alte lichide în timpul curățării pentru a evita scurtcircuitele sau pentru a afecta izolația electrică după imersiune.

PERIOADE LUNGI DE NEUTILIZARE

Dacă frigiderul nu este utilizat pentru o perioadă lungă de timp, procedați după cum urmează:

Deconectați frigiderul de la sursa principală scoțând ștecherul din priza de perete.

Curățați și uscați interiorul conform instrucțiunilor de la rubrica Curățarea frigiderului.

Lăsați ușa deschisă pentru a preveni formarea mirosurilor neplăcute în timp ce frigiderul nu este utilizat.

DIAGNOSTICARE

In case of malfunction, you can solve many common problems easily.

- **Congelatorul nu funcționează**
- Cablul de alimentare este deconectat.

Ușile nu se închid corespunzător

Verificați dacă

- Sertarele sunt deplasate.
- Garniturile sunt murdare.
- Congelatorul nu este egal.

Congelatorul este zgomotos când funcționează

- Verificați dacă congelatorul este la nivel și nu este în contact cu alt aparat sau mobilier de bucătărie.

Congelatorul nu se răcește suficient

Verificați dacă:

- Dacă ușa a fost deschisă prea des sau a fost lăsată deschisă pentru o vreme, va trebui să treacă timp pentru ca congelatorul să atingă temperatura setată.
- Verificați fluxul de aer din partea din spate a congelatorului nu a fost redus din cauza unui joc insuficient.

Următoarele caracteristici nu trebuie privite ca o problemă.

- Un sunet ușor cauzat de lichidul de răcire care curge conducta.
- Compresor care funcționează la temperatură ridicată.

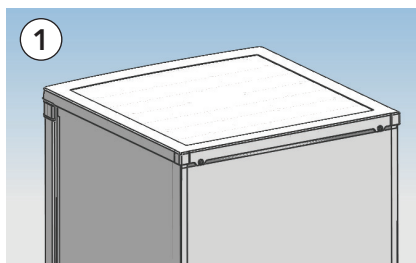


Eliminarea corectă a acestui produs

Acest marcaj indică faptul că acest produs nu trebuie aruncat împreună cu alte deșeuri menajere în întreaga UE. Pentru a preveni posibilele daune aduse mediului sau sănătății umane prin eliminarea necontrolată a deșeurilor, reciclați-le în mod responsabil pentru a promova reutilizarea durabilă a resurselor materiale. Pentru a returna dispozitivul folosit, vă rugăm să utilizați sistemele de returnare și colectare sau contactați distribuitorul de la care a fost achiziționat produsul. Aceștia pot lua acest produs pentru reciclare sigură pentru mediu.

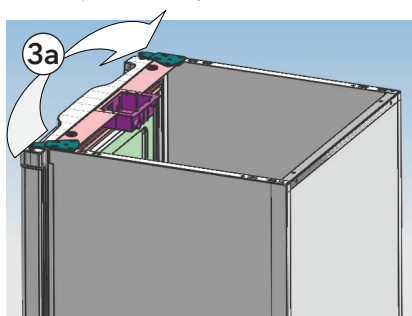
SCHIMBAREA UȘII FRIGIDERULUI DE LA STÂNGA LA DREAPTA (OPȚIONAL)

1. Demontați șuruburile din spatele capscului fix cu o șurubelniță cu fantă transversală și scoateți capacul de pe frigider.



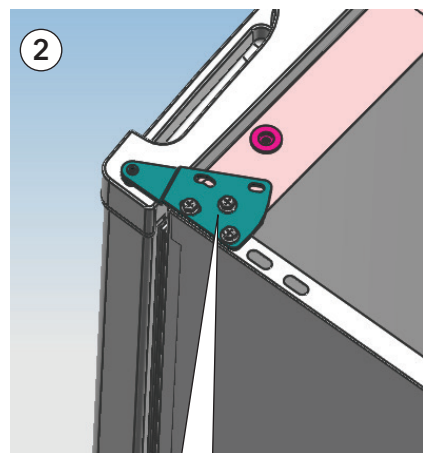
3. Înlocuiți balamaua superioară și blocul de limită al ușii și bușca ușii pe cealaltă parte

A. Înlocuiți balamaua superioară.

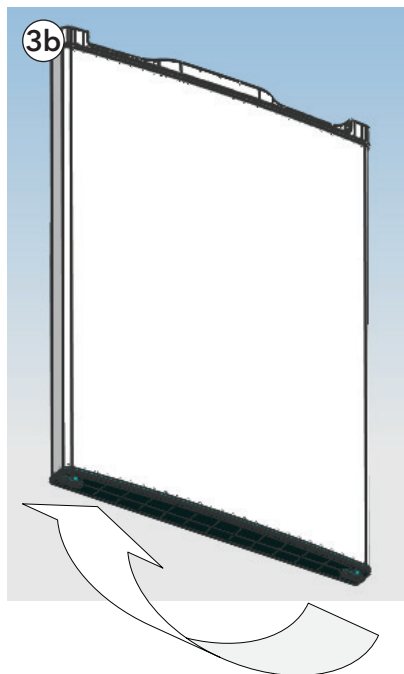


2. Scoateți șuruburile fixate de balama superioară cu șurubelniță cu fantă transversală.

B. Înlocuiți bușca ușii și blocul de limită



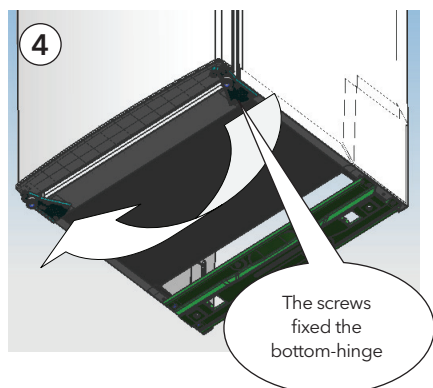
Șuruburile au fixat
balamaua superioară



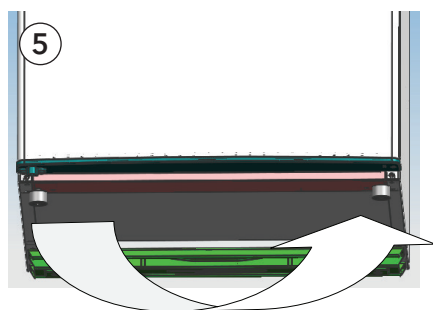
4. Demontați șuruburile fixate de balama inferioară cu șurubelniță cu fantă transversală și înlocuiți balamaua de cealaltă parte, apoi fixați-o cu șuruburi.

NOTĂ

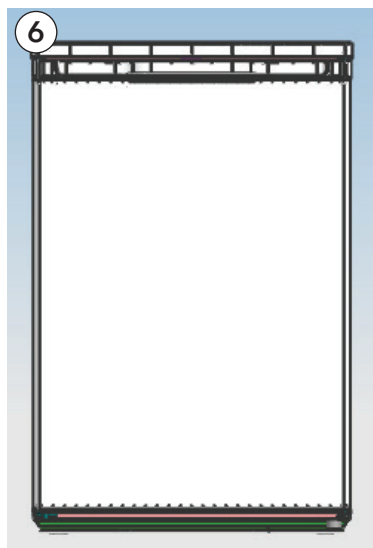
Unghiul de înclinare a frigiderului este mai mic de 45°.



5. Înlocuiți nivelatorul pe cealaltă parte și reglați-l pentru a vă asigura că nivelul dulapului este stabilizat



6. Setezi poziția dreaptă a ușii, fixați balamaua superioară și apoi capacul.



Asigurați-vă că aparatul este deconectat și gol. Reglați cele două picioare de nivelare în cea mai înaltă poziție. Vă recomandăm să aveți pe cineva care să vă ajute.

NOTĂ

Pentru a scoate ușa, este necesar să înclinați aparatul înapoi. Ar trebui să sprijiniți aparatul pe ceva solid, de exemplu un scaun chiar sub panoul superior. Nu așezați aparatul complet plat, deoarece acest lucru poate deteriora sistemul de răcire.

SFATURI DE ECONOMISIRE A ENERGIEI

- Aparatul trebuie să fie amplasat în zona cea mai răcoasă a camerei, departe de aparatele care produc căldură sau conductele de încălzire și de lumina directă a soarelui.
- Lăsați alimentele fierbinți să se răcească la temperatura camerei înainte de a le introduce în aparat. Supraîncărcarea aparatului obligă compresorul să funcționeze mai mult. Alimentele care îngheață prea încet pot pierde calitate sau se pot strica.
- Asigurați-vă că înfășurați alimentele corect și ștergeți recipientele înainte de a le introduce în aparat. Astfel se reduce acumularea de îngheț în interiorul aparatului.
- Coșul de depozitare a aparatului nu trebuie să fie căptușit cu folie de aluminiu, hârtie cerată sau prosop de hârtie. Căptușelile interferează cu circulația aerului rece, făcând aparatul mai puțin eficient.
- Organizați și etichetați alimentele pentru a reduce deschiderile ușilor și căutărilor extinse. Îndepărtați câte articole este nevoie odată și închideți ușa cât mai curând posibil.

Spoštovani kupci,
zahvaljujemo se vam, ker ste kupili našo pokončno zamrzovalno omaro. Da bo vaša nova zamrzovalna omara kar najbolje delovala, si vzemite čas in preberite enostavna navodila v tej brošuri.

Poskrbite, da boste embalažo odstranili v skladu s trenutnimi okoljskimi zahtevami.

Pri odstranjevanju kakršne koli opreme, povezane z zamrzovalno omaro, se za nasvet o tem, kako jo varno odstraniti, obrnite na lokalni oddelek za odstranjevanje odpadkov.

Ta aparat lahko uporabljate izključno za namen, za katerega je predviden.

Predviden je za uporabo v gospodinjstvu in temu podobnih okoljih, kot so

- kuhinje za osebe v trgovinah, pisarnah in drugih delovnih okoljih,
- kmetije ter hoteli, moteli in nastanitve drugih vrst, kjer je ta aparat na voljo gostom,
- nastanitve z nočitvijo in zajtrkom,
- catering ter podobni načini uporabe, ki niso namenjeni prodaji.

OPOZORILA GLEDE VARNOSTI

OPOZORILO:




Opozorilo: tveganje požara/vnetljive snovi

- Ta gospodinjski aparat je predviden za uporabo v gospodinjstvu in temu podobnih okoljih, kot so kuhinje za osebe v trgovinah, pisarnah in drugih delovnih okoljih, kmetije ter hoteli, moteli in nastanitve drugih vrst, v katerih je ta aparat na voljo gostom, nastanitve z nočitvijo in zajtrkom ter catering in podobni načini uporabe, ki niso namenjeni prodaji.
- Če je napajalni kabel poškodovan, ga mora zaradi preprečevanja nevarnosti zamenjati proizvajalec, proizvajalčev pooblaščen servisier ali podobno usposobljena oseba.
- V tem gospodinjsem aparatu ne shranjujte eksplozivnih snovi, kot so aerosolne pločevinke z vnetljivim potisnim plinom.
- Ko uporabnik neha uporabljati gospodinjski aparat in preden opravi njegovo vzdrževanje, ga mora odklopiti z napajanja.
- OPOZORILO: Poskrbite, da odprtine za prezračevanje v okrovu aparata ali v vgrajeni strukturi ne bodo zamašene.
- OPOZORILO: Odtaljevanja ne poskušajte pospeševati z mehanskimi napravami ali z drugimi sredstvi, razen s tistimi, ki jih priporoča proizvajalec.
- OPOZORILO: Ne poškodujte krogotoka hladilne tekočine.
- OPOZORILO: V predelkih za shranjevanje živil ne uporabljajte električnih naprav, razen če so takšne vrste, ki jo priporoča proizvajalec.
- OPOZORILO: Hladilnik odstranite v skladu z lokalnimi predpisi, saj so za njegovo delovanje uporabljeni vnetljivi eksplozivni plini in hladilna tekočina.
- OPOZORILO: Pri nameščanju aparata poskrbite, da napajalni kabel ne bo zagoden ali poškodovan.
- OPOZORILO: Na zadnji strani aparata ne nameščajte prenosnih električnih razdelilnikov z več vtičnicami ali prenosnih akumulatorjev.
- Ne uporabljajte podaljševalnih kablov ali neozemljenih adapterjev (z dvema poloma).
- NEVARNOST: Obstaja tveganje za zaprtje otroka v notranjost aparata. Preden stari hladilnik ali zamrzovalno omaro odstranite:
 - Snemite vrata.
 - Police pustite znotraj aparata, tako da otroci ne bodo mogli zlahka splezati vanj.
- Preden poskušate namestiti dodatno opremo, morate hladilnik odklopiti z vira električnega napajanja.
- Hladilna tekočina in penasta snov ciklopentan, ki se uporabljata pri hladilniku, sta vnetljivi. Zato je treba pri uničevanju poskrbeti, da hladilnik ni v bližini nobenega vira ognja in da ni odstranjen s sežiganjem, ampak ga predela posebno podjetje za predelavo, ki ima ustrezne kvalifikacije, tako da ne pride škoda za okolje ali kakršne koli druge škode.
- Pri standardu EN: Ta aparat lahko uporabljajo otroci, stari 8 in več let, ter osebe s telesnimi, senzoričnimi ali duševnimi okvarami ali pa osebe brez izkušenj in znanja, če so pod nadzorom ali pa so jim bila podana navodila za varno uporabo aparata in če razumejo nevarnosti, povezane z njegovo uporabo. Otroci se z aparatom ne smejo igrati. Brez nadzora otroci aparata ne smejo čistiti in ga vzdrževati. Otrokom, starim od 3 do 8 let, je v hladilne aparate dovoljeno dajati živila in jih jemati iz njih.
- Pri standardu IEC: Ta aparat ni namenjen osebam (vključno z otroki) s telesnimi, senzoričnimi ali duševnimi okvarami ali pa osebam brez izkušenj in znanja, razen če so
 - Redno čistite površine, ki so v stiku z živilo, in




dostopne odvodne sisteme.

- Če posod za vodo 48 ur niste uporabljali, jih očistite; če iz aparata 5 dni niste jemali vode, sperite sistem za vodo, priključen na dovod vode. (opomba 1)

- Surovo meso in ribe v hladilniku shranjujte v primernih posodah, tako da ta živila ne pridejo v stik z drugimi ali da z njih ne kaplja na druga živila.

- Predelki za zamrznjena živila, označeni z dvema zvezdicama , so primerni za shranjevanje predhodno zamrznjenih živil, shranjevanje ali

izdelovanje sladoleda in izdelovanje ledenih kock. (opomba 2)

- Predelki, označeni z eno , dvema  in tremi  zvezdicami, niso primerni za zamrzovanje svežih živil. (opomba 3)

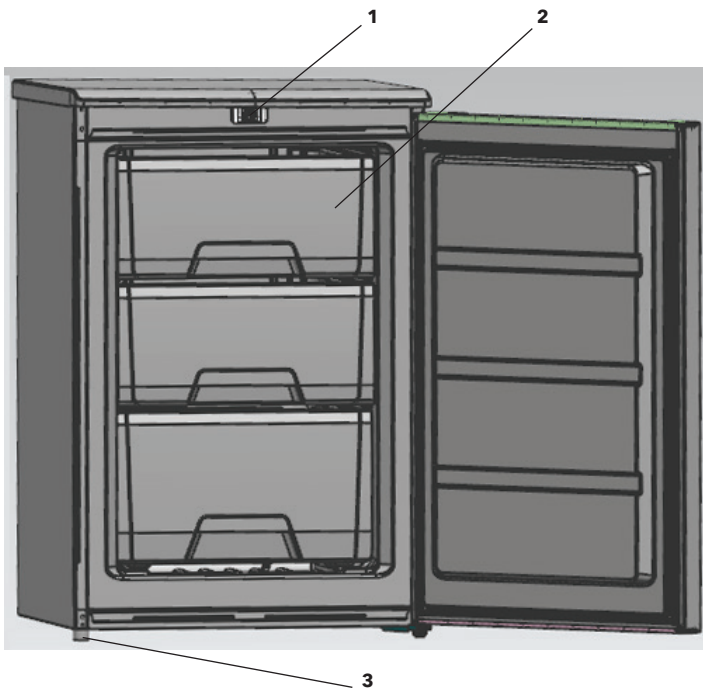
- Če je bil hladilni aparat dlje časa prazen, ga izklopite, odtalite, očistite in osušite, nato pa vrata pustite odprta, da preprečite nastajanje plesni v njem.

Opomba 1, 2, 3 - Preverite, ali se nanaša na vrsto predelka v vašem izdelku.

SPLOŠNO

To vrsto hladilnika pogosto uporabljajo v okoljih, kakršna so hoteli, pisarne, študentski domovi in gospodinjstva. Najprimernejša je za hlajenje in shranjevanje živil, kot je sadje, in pijače. Njene prednosti so majhna velikost, nizka teža, nizka poraba električne energije in enostavna uporaba.

GLAVNA KONFIGURACIJA



1. Termostat 2. Predal 3. Regulacijska nogica

RAZPAKIRANJE ZAMRZOVALNE OMARE

OPOZORILO: Zamrzovalno omaro naj premikata dve osebi ali več.

V nasprotnem primeru lahko pride do poškodb hrbtenice ali drugih poškodb.

- Pred uporabo zamrzovalne omare z nje odstranite lepilni trak in morebitne nalepke (razen nalepk z energijskimi razredi).
- Da odstranite ves preostali lepilni trak ali lepilo, s palcem močno podrgnite po površini.
- Ostanke lepilnega traku ali lepila lahko enostavno odstranite tudi tako, da s prsti zdrgnete lepilo z majhno količino tekočega detergenta za pomivanje posode. Obrišite s krpo, namočeno v toplo vodo, in osušite.
- Za odstranjevanje lepilnega traku ali lepila ne uporabljajte ostrih instrumentov, alkohola za vtiranje, vnetljivih tekočin ali abrazivnih čistilnih sredstev. Ti proizvodi lahko poškodujejo površino vaše zamrzovalne omare.
- Ko zamrzovalno omaro premikate, je ne nagibajte pod kotom, ki je večji od kota 45°, merjenega iz navpičnega položaja.

ČIŠČENJE PRED UPORABO

Ko odstranite vso embalažo (še zlasti peno med zunanjim kondenzatorjem in ohišjem), pred uporabo zamrzovalne omare očistite njeno notranjost.

ZAHTEVE GLEDE PROSTORA

OPOZORILO: Poskrbite, da v bližini zamrzovalne omare ne bo vnetljivih snovi in hlapov.

V nasprotnem primeru lahko pride do smrti, eksplozije, požara ali opeklin.

- Da bo zamrzovalna omara pravilno prezračena, poskrbite, da bodo razdalje do sten na vsaki strani ter med zadnjo stranjo zamrzovalne omare in steno znašale 200 mm, razdalja od zgornjega dela zamrzovalne omare do strehe ali stropa pa 300 mm.
- Če zamrzovalno omaro nameščate poleg fiksne stene, pustite dovolj prostora na tisti strani, kjer je tečaj, da se bodo vrata lahko odpirala.
- Zamrzovalne omare nikoli ne nameščajte ob vir toplote in neposredno na sončno svetlobo.

ZAHTEVE V ZVEZI Z ELEKTRIČNIMI INSTALACIJAMI

OPOZORILO: NE ODSTRANJUJTE OZEMLJITVENEGA POLA.

NE UPORABLJAJTE ADAPTERJEV.

NE UPORABLJAJTE PODALJŠKOV.

V nasprotnem primeru lahko pride do smrti, požara ali električnega udara.

Preden zamrzovalno omaro premaknete na končno mesto, je pomembno poskrbeti za pravilen električni priključek.

Priporočljiv način ozemljitve

Zahtevano je izključno električno napajanje z izmenično napetostjo 220~240 V in frekvenco 50 Hz ter z 10-ampersko varovalko in pravilno ozemljitvijo. Priporočljivo je poskrbeti za ločen tokokrog, s katerim bo napajen samo ta gospodinjski aparat. Uporabite vtičnico, ki jo ni mogoče izklopiti s preklopnim stikalom ali stikalom na poteg. Ne uporabljajte električnih podaljškov.

OPOMBA

Pred kakršnimi koli instalacijskimi deli odklopite zamrzovalno omaro z vira električnega napajanja. Ko končate, jo priklopite na vir električnega napajanja in ponastavite nadzorne elemente na zeleno nastavitev.

IZRAVNAVA

Če zamrzovalna omara med namestitvijo ni izravnana, se lahko zgodi, da se vrata ne bodo pravilno zapirala ali tesnila, zaradi česar se bodo pojavile težave s hlajenjem, nabiranjem ledu ali vlago. Da bo zamrzovalna omara delovala pravilno, je zelo pomembno, da je izravnana.

Če želite zamrzovalno omaro izravnati, lahko regulacijsko nogico zavrtite v smeri urnega kazalca, da zadevno stran zamrzovalne omare dvignete, ali pa v nasprotni smeri urnega kazalca, da zadevno stran spustite.

OPOMBA

Obrementev regulacijske nogice s težo lahko zmanjšate tako, da druga oseba potiska zamrzovalno omaro na zgornjem delu. Na ta način je regulacijsko nogico lažje prilagoditi.

UPORABA GOSPODINJSKEGA APARATA

Da bo zamrzovalna omara čim bolj delovala, je pomembno, da jo pravilno upravljate.

Nadzor temperature (izbirno)

Temperaturo v zamrzovalni omari nadzira gumb za nadzor termostata. Nameščen je na zgornjem sprednjem delu zamrzovalne omare. Temperaturo v zamrzovalni omari regulirate z obračanjem tega gumba navzgor ali navzdol. Na oznakah tega gumba za različna temperaturna območja so vrednosti „1~4“. Temperatura pada, pri čemer je v položaju „1“ najvišja, v položaju „4“ pa najnižja. Za normalno uporabo nadzorni gumb obrnite v položaj med položajema „1“ in „4“; natančni položaj je zunaj temperaturnih vrednosti v zamrzovalni omari. V splošnem izberite številko „2“.

Temperaturo v zamrzovalni omari nadzira gumb za nadzor termostata. Nameščen je na zgornjem sprednjem delu zamrzovalne omare. Temperaturo v zamrzovalni omari regulirate z obračanjem tega gumba navzgor ali navzdol. Na oznakah tega gumba za različna temperaturna območja so vrednosti „cold~colder“ (hladno-hladnejše). Temperatura pada, pri čemer je v položaju „cold“ (hladno) najvišja, v položaju „colder“ (hladnejše) pa najnižja. Za normalno uporabo nadzorni gumb obrnite v položaj med položajema „cold“ (hladno) in „colder“ (hladnejše); natančni položaj je zunaj temperaturnih vrednosti v zamrzovalni omari. V splošnem izberite vrednost „“.

Shranjevanje zamrznjenih živil (izbirno)

Ko zamrzovalno omaro uporabite prvič ali ko jo odtaljujete, vsaj dve uri pred shranjevanjem živil vanjo obrnite gumb za nadzor temperature na nastavitev „4“.

Da preprečite odtaljevanje zamrznjenih živil, ki ste jih kupili, morate v zamrzovalno omaro vsa shraniti čim prej. Vedno upoštevajte priporočila za shranjevanje, ki jih na embalažo zamrznjenih živil natisnejo proizvajalci.

Pazite, da predal ne bo stisnil cevi zamrzovalne omare za hlajenje.

Ko zamrzovalno omaro uporabite prvič ali ko jo odtaljujete, vsaj dve uri pred shranjevanjem živil vanjo obrnite gumb za nadzor temperature na nastavitev „colder“ (hladnejše).

Zamrzovanje svežih živil

Poskrbite, da boste živila zamrzovali na čim bolj higiensko neoporečen način, saj jih samo z zamrzovanjem ni mogoče sterilizirati. Živila je priporočljivo zamrzniti tako, da ne zamrzujete celotne količine, ampak

manjše porcije, primerne za en obrok. V zamrzovalno omaro nikoli ne shranjujte vročih ali toplih živil. Zamrznjena živila pred shranjevanjem shranite v plastične vrečke, aluminijasto folijo ali posodice za zamrzovanje, nato pa jih shranite v predalih zamrzovalne omare. Podatki o najvišjem številu kilogramov svežih živil s sobno temperaturo 25 °C, ki jih je mogoče shraniti v katerem koli 24-urnem obdobju, so na zadnji strani te brošure. Nikoli ne shranjujte več od največje dovoljene količine.

OPOMBA

V predelek zamrzovalnika nikoli ne shranjujte živil v steklenicah ali pijač. Da bo delovanje čim boljše, v predelkih zamrzovalne omare pustite dovolj prostora, da bo okrog paketov s porcijami lahko krožil zrak. Obvestilo: Pri določenih pogojih lahko predal odstranite.

Odtaljevanje

Izklopite vtič omrežnega napajanja iz stenske vtičnice, odprite vrata in odstranite vsa živila ter jih premaknite na hladno mesto. Odtaljujete lahko s plastičnim strgalom ali pa tako, da med naravnim zviševanjem temperature počakate, dokler se led ne stali. Nato vsa odvečna led in vodo obrišite, potem pa zamrzovalno omaro znova priključite na omrežno napajanje.

OPOMBA

Da preprečite poškodbe stene predelka, za odstranjevanje ledu ali ločevanje zamrznjenih živil ne uporabljajte nobenih ostrih predmetov.

Čiščenje zamrzovalne omare

Pred začetkom čiščenja zamrzovalne omare izklopite napajalni vtič iz omrežnega napajanja.

- Za večji učinek hlajenja in varčevanje z energijo je treba prah za zamrzovalno omaro in na tleh redno čistiti.
- Redno preverjajte tesnilo na vratih, da se na njem ne bo nabirala umazanija. Tesnilo na vratih očistite z mehko krpo, namočeno v milnico ali razredčeni detergent.
- Da preprečite neprijetne vonjave, morate redno čistiti tudi notranjost hladilnika.
- Pred čiščenjem notranjosti izklopite napajanje ter odstranite vsa živila, pijače, police, predale itd.
- Notranjost hladilnika očistite z mehko krpo ali gobo, namočeno v mešanico dveh čajnih žličk sode bikarbone in četrta litra tople vode. Nato izplaknite z vodo in do čistega obrišite. Po čiščenju odprite vrata in pustite, da se notranjost osuši na zraku, preden znova vklopite napajanje.
- Območja, ki jih je težko očistiti (ozke prostore, reže ali kote), je priporočljivo redno brisati z mehko krpo, mehko krtačko itd., po potrebi pa z dodatnimi pripomočki (kot so tanke paličice), da se v njih ne bodo nabirala onesnaževala ali bakterije.
- Ne uporabljajte mil, detergentov, abrazivnih praškov za čiščenje, sredstev za čiščenje v obliki razpršila, saj lahko v notranjosti hladilnika pustijo neprijetne vonjave ali onesnažijo živila.
- Držalo za steklenice, police in predale očistite z mehko krpo, namočeno v milnico ali razredčeni detergent. Obrišite z mehko krpo ali pa pustite, da se posuši na zraku.
- Zunanjo površino hladilnika očistite z mehko krpo, namočeno v milnico, detergent itd., nato pa jo obrišite do suhega.
- Ne uporabljajte trdih krtač, jeklenih gobic za čiščenje, žičnih krtač, abrazivnih sredstev (kot je zobna pasta), organskih topil (kot je alkohol, aceton, bananino olje itd.), vrele vode ali pa kislinskih ali alkalnih sredstev, ki lahko poškodujejo površino in notranjost hladilnika. Z vrelo vodo in organskimi topili, kot je benzen, se plastični deli lahko deformirajo ali poškodujejo.
- Med čiščenjem ne izplakujte neposredno z vodo ali drugimi tekočinami, da preprečite kratke stike ali poškodbe električne izolacije, ki bi nastale med prelitjem z vodo.

DALJŠA OBDOBJA NEUPORABE

Če zamrzovalne omare dlje časa ne boste uporabljali, naredite naslednje:

Odstranite vtič iz stenske vtičnice in tako odklopite zamrzovalno omaro z omrežnega napajanja. Očistite in osušite notranjost po navodilih iz poglavja o čiščenju zamrzovalne omare.

Vrata pustite odprta, da se med neuporabo zamrzovalne omare ne bodo nabirale neprijetne vonjave.

ODPRAVLJANJE TEŽAV

Če pride do nepravilnega delovanja, lahko enostavno odpravite veliko običajnih težav.

Zamrzovalna omara ne deluje.

- Preverite, ali je napajalni kabel morda izključen.

Vrata se ne zapirajo do konca.

Preverite naslednje:

- Ali so predali v nepravilnem položaju?
- Ali so tesnila umazana?
- Ali je zamrzovalna omara neizravnana?

Zamrzovalna omara pri delovanju povzroča hrup.

- Preverite, ali je izravnana in ali je morda v stiku z drugim gospodinjskim aparatom ali kuhinjskim pohištvom.

Zamrzovalna omara ne hladi dovolj.

Preverite naslednje:

- Če ste vrata prepogosto odpirali ali če so bila nekaj časa odprta, bo potrebnega nekaj časa, da bo temperatura v zamrzovalni omari dosegla nastavljeno vrednost.
- Preverite, ali je pretok zraka na zadnjem delu zamrzovalne omare zaradi premajhne razdalje do stene zmanjšan.

Na naslednje lastnosti ne glejte kot na težavo.

- Nežen zvok pretakanja tekočine, ki ga povzroča pretok hladilnega sredstva skozi cevi.
- Kompresor, ki deluje pri visoki temperaturi.



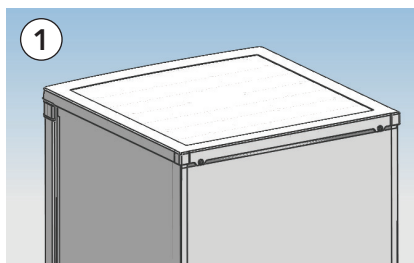
Pravilno odstranjevanje tega izdelka

Ta oznaka kaže, da tega izdelka nikjer v Evropski uniji ni dovoljeno odlagati skupaj z drugimi gospodinjskimi odpadki. Za preprečitev morebitne škode za okolje ali zdravje ljudi, ki nastane zaradi nenadzorovanega odlaganja v okolju, izdelek odgovorno reciklirajte, da boste spodbujali trajnostno naravnano ponovno uporabo virov surovin.

Uporabljeno napravo vrnite prek sistemov za vračanje in zbiranje ali pa se obrnite na prodajalca, pri katerem ste izdelek kupili. Ta izdelek lahko prevzamejo in reciklirajo izdelek na način, ki je varen za okolje.

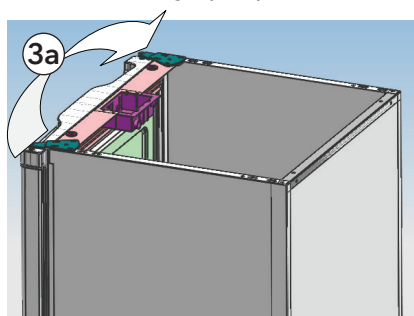
SMERNICE ZA IZBIRO LEVE ALI DESNE SMERI PRI NAMESTITVI VRAT HLADILNIKA (IZBIRNO)

1. S križnim izvijačem odvijte vijake za fiksirano zgornjo površino in odstranite pokrov hladilnika.



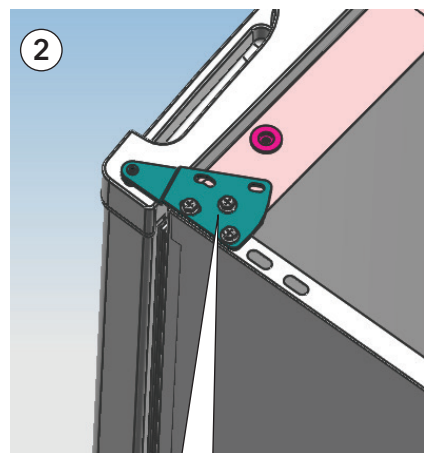
3. Zgornji tečaj, omejevalni blok vrat in nosilec za vrata premaknite na nasprotno stran.

A. Znova namestite zgornji tečaj.

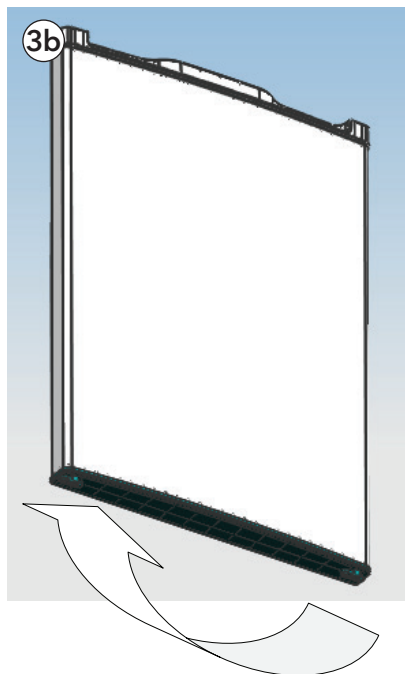


2. S križnim izvijačem odstranite vijake, s katerimi je prvit zgornji tečaj.

B. Znova namestite nosilec za vrata in omejevalni blok.



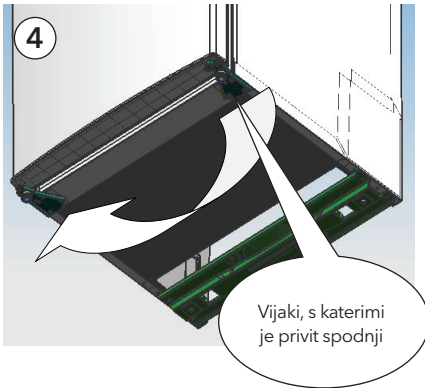
Vijaki, s katerimi je prvit
zgornji



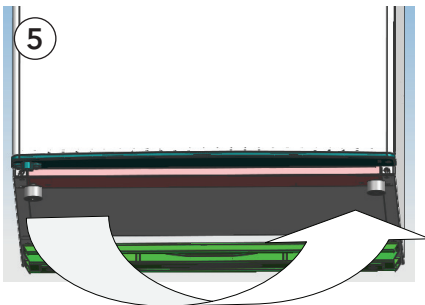
4. S križnim izvijačem odvijte vijake, s katerimi je pravit spodnji tečaj, ter namestite tečaj na nasprotno stran in ga nato privijte z vijaki.

OPOMBA

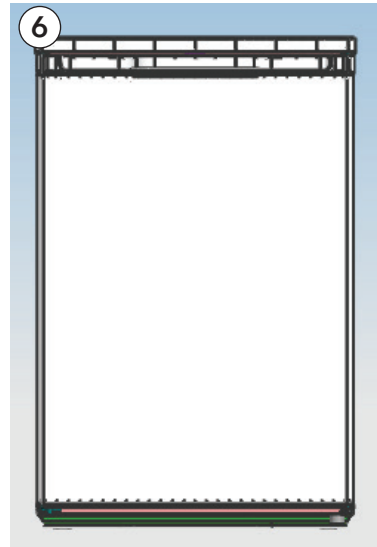
Kot nagiba hladilnika mora biti manjši od 45°.



5. Premestite regulacijsko nogico na drugo stran in jo prilagodite, da bo ohišje izravnano.



6. Določite pravilen položaj vrat ter nato namestite zgornji tečaj in pokrov na zgornjem delu aparata.



Prepričajte se, da je aparat izključen in prazen. Regulacijski nogici prilagodite tako, da bosta v svojem najvišjem položaju. Priporočamo pomoč druge osebe.

OPOMBA

Če želite vrata sneti, morate aparat nagniti nazaj. Aparat naj bo naslonjen na nekaj trdnega, npr. na stol, nameščen tik pod zgornjo površino.

Aparata ne postavljajte v popolnoma ležeč položaj, saj se sistem za hladilno tekočino lahko poškoduje.

NASVETI ZA VARČEVANJE Z ENERGIJO

- Aparat naj bo nameščen v najhladnejšem delu prostora, oddaljen naj bo od aparatov, ki proizvajajo toploto, ali od ogrevalnih kanalov in naj ne bo izpostavljen neposredni sončni svetlobi.
- Preden vroča živila shranite v tem aparatu, naj se najprej ohladijo na sobno temperaturo. Če bo aparat preveč napolnjen, bo kompresor deloval dlje. Živila, ki prepočasi zamrzujejo, lahko postanejo manj kakovostna ali pa se pokvarijo.
- Poskrbite, da jih boste pravilno zapakirali in da boste posode do suhega obrisali, preden boste živila shranili v gospodinjski aparat. Na ta način se znotraj aparata tvori manj ledu.
- Predala aparata ne smete oblagati z aluminijasto folijo, papirjem za peko ali papirnatimi brisačami. Material za oblaganje moti kroženje hladnega zraka, zato je aparat manj učinkovit.
- Da boste manjkrat odpirali vrata in ne boste dolgo iskali, živila organizirajte in jih označite. Vzemite čim več živil naenkrat in čim prej zaprite vrata.

Poštovanom potrošaču:

Hvala Vam što ste kupili ovaj vertikalni zamrzivač. Da biste na najbolji način koristili svoj novi zamrzivač, odvojite vreme da pročitate jednostavna uputstva sadržana u ovoj brošuri.

Uverite se da se odlaganje ambalaže obavlja u skladu sa važećim zahtevima u vezi sa zaštitom životne sredine.

Prilikom odlaganja bilo kog dela opreme za zamrzivač, za savete o bezbednom odlaganju se obratite svom lokalnom sektoru za odlaganje otpada.

Ovaj uređaj se mora upotrebljavati isključivo u svrhe za koje je namenjen.

Ovaj uređaj je namenjen za upotrebu u domaćinstvima i sličnom okruženju poput

- kuhinja za osoblje u prodavnicama, kancelarijama i drugom radnom okruženju;
- poljoprivrednih domaćinstava i hotela, motela i ostalih objekata rezidencijalnog tipa, gde se stavlja na raspolaganje klijentima;
- objekata koji pružaju uslugu noćenja sa doručkom;
- keteringa i u slične neprodajne namene.

BEZBEDNOSNA UPOZORENJA

UPOZORENJE:



Upozorenje: rizik od požara / zapaljivih materijala

- Ovaj uređaj je namenjen za upotrebu u domaćinstvima i sličnom okruženju poput kuhinja za osoblje u prodavnicama, kancelarijama i drugom radnom okruženju; poljoprivrednih domaćinstava i hotela, motela i ostalih objekata rezidencijalnog tipa, gde se stavlja na raspolaganje klijentima; objekata koji pružaju uslugu noćenja sa doručkom; keteringa i u slične neprodajne namene.
- Ukoliko je kabl za napajanje oštećen, potrebno je da njegovu zamenu obavi proizvođač, njegov ovlašćeni serviser ili lica sa sličnim kvalifikacijama kako bi se izbegao nastanak opasnosti.
- Nemojte držati eksplozivne supstance poput aerosol boca sa zapaljivim potisnim gasom u ovom uređaju.
- Uređaj je potrebno isključiti iz struje nakon upotrebe, a pre njegovog korisničkog održavanja.
- UPOZORENJE: Povedite računa da ventilacioni otvori ne budu blokirani unutar ugradnog dela ili ugradne konstrukcije za uređaj.
- UPOZORENJE: Ne upotrebljavajte mehanička sredstva ili
- druge postupke za ubrzavanje procesa otapanja, ukoliko nisu preporučeni od strane proizvođača.
- UPOZORENJE: Ne oštećujte instalacije za rashladno sredstvo.
- UPOZORENJE: Ne upotrebljavajte električne uređaje unutar odeljaka za držanje hrane ovog uređaja, osim ukoliko su u pitanju tipovi uređaja preporučeni od strane proizvođača.
- UPOZORENJE: Frižider odložite u skladu sa lokalnim propisima jer se za njegov rad upotrebljavaju zapaljivi eksplozivni gas i rashladno sredstvo.
- UPOZORENJE: Prilikom pozicioniranja uređaja, uverite se da kabl za napajanje nije pritisnut ili oštećen.
- UPOZORENJE: Ne postavljajte prenosive

produžne kablove sa više utičnica ili prenosive akumulatore iza uređaja.

- Ne upotrebljavajte produžne kablove ili neuzemljene (sa dva kraka) adaptere.
- OPASNOST: Rizik od zatvaranja dece unutar uređaja. Pre nego što odbacite svoj stari frižider ili zamrzivač:
 - -Skinite vrata.
 - -Ostavite police unutar uređaja kako deca ne bi mogla da se lako uvuku unutra.
- Pre nego to pokušate da instalirate neki prateći element, uređaj morate isključiti iz struje.
- Rashladno sredstvo i penušavo sredstvo ciklopentan, koji se upotrebljavaju u okviru frižidera, su zapaljivi. Stoga, prilikom odlaganja frižidera, držite ga dalje od izvora plamena i, umesto da ga odložite sagorevanjem, predajte ga nekoj od specijalizovanih kompanija za recikliranje sa odgovarajućim kvalifikacijama kako bi se omogućilo njegovo ponovno iskorišćenje, jer ćete na taj način sprečiti štetne efekte po životnu sredinu ili druge opasnosti.
- Za EN standard: Ovaj uređaj mogu upotrebljavati deca starosti od 8 ili više godina i osobe sa umanjnim fizičko-senzornim ili mentalnim sposobnostima ili nedostatkom iskustva i znanja ukoliko su pod nadzorom ili su upućeni u bezbedno korišćenje uređaja i shvataju opasnosti koje njegova upotreba nosi. Deca se ne smeju igrati uređajem. Deca ne smeju da obavljaju čišćenje i korisničko održavanje uređaja bez nadzora. Deca starosti od 3 do 8 godina mogu stavljati hranu u ili je uzimati iz uređaja za rashlađivanje.
- Za IEC standard: Ovaj uređaj ne treba da upotrebljavaju osobe (uključujući decu) sa umanjnim fizičko-senzornim ili mentalnim sposobnostima ili nedostatkom iskustva i znanja, osim ukoliko su pod nadzorom osobe odgovorne

za njihovu bezbednost ili ako ih je pomenuta osoba obučila za korišćenje uređaja.

- Decu je potrebno nadgledati kako biste bili sigurni da se ne igraju uređajem.
- Uputstvo za upotrebu uključuje i sledeće informacije: Kako biste izbegli kontaminiranje hrane, pridržavajte se sledećih uputstava:
 - Dugo držanje vrata uređaja otvorenim može da dovede do značajnog rasta temperature unutar odeljaka uređaja.
 - Redovno čistite površine koje mogu da dodu u dodir sa hranom, kao i pristupačne delove odvodnog sistema.
 - Očistite posude za vodu ukoliko ih niste koristili tokom vremenskog perioda dužeg od 48 h; ukoliko tokom vremenskog perioda od 5 dana niste uzimali vodu iz uređaja, isperite sistem za protok vode povezan sa posudom za vodu. (napomena 1)
 - Sirovo meso i ribu unutar frižidera držite u

odgovarajućim posudama kako ove namirnice ne bi došle u dodir sa ili kako ne bi kapale po ostaloj hrani.

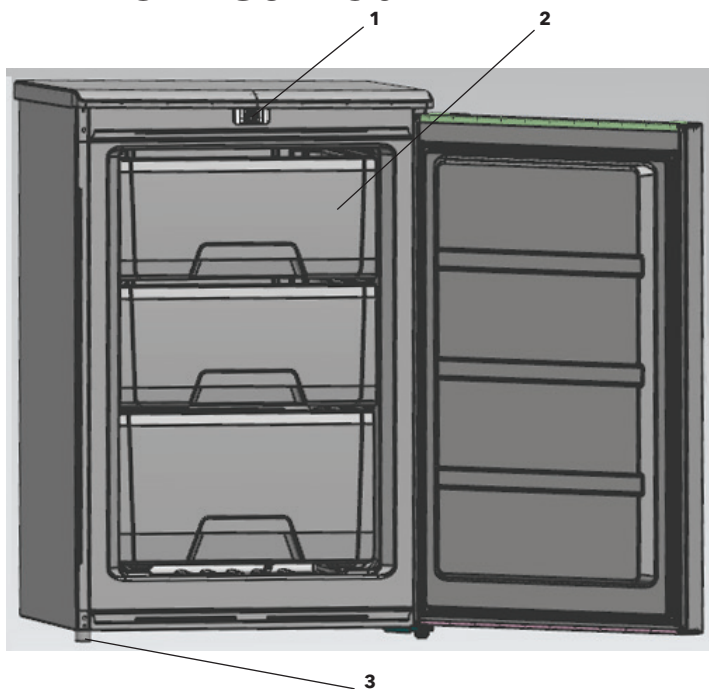
- Odeljci označeni jednom [❄] pogodni su za držanje prethodno smrznute hrane, za držanje ili pravljenje sladoleda i za pravljenje kockica leda. (napomena 2)
- Odeljci označeni jednom [❄], dvema [❄❄] ili trima [❄❄❄] zvezdicama nisu pogodni za zamrzavanje sveže hrane. (napomena 3)
- Ukoliko će uređaj za rashlađivanje biti prazan tokom dužeg vremenskog perioda, isključite ga, odledite, očistite i osušite, a zatim ostavite vrata uređaja otvorenim kako biste sprečili razvoj buđi u unutrašnjosti uređaja.

Napomene 1, 2, 3: Proverite da li su navedene informacije primenljive na odeljke onog tipa uređaja koji ste kupili.

OPŠTI PODACI

Ovaj tip frižidera je u širokoj upotrebi na mestima poput hotela, kancelarija, studentskih domova i porodičnih kuća. Najprikladniji je za rashlađivanje i očuvanje namirnica poput voća i pića. Njegova prednost su male dimenzije, mala težina, niska energetska potrošnja i laka upotreba.

GLAVNA KONFIGURACIJA



1. Termostat 2. Fioka 3. Nožica za nivelisanje

RASPAKIVANJE VAŠEG ZAMRZIVAČA

UPOZORENJE: Za premeštanje zamrzivača potrebno je dvoje ili više ljudi.

U suprotnom, može doći do nastanka povrede leđa ili do drugih povreda.

- Pre upotrebe, skinite selotejp i sve eventualne nalepnice sa Vašeg zamrzivača (sem nalepnice na kojoj su prikazani razredi uređaja).
- Kako biste uklonili sve preostale delove selotejpa ili lepka, energično protrljajte datu površinu prstom.
- Preostali delovi selotejpa ili lepka se takođe lako mogu ukloniti i utrljavanjem male količine tečnosti za pranje posuda preko lepka, koristeći prste. Prebrišite toplom vodom i osušite.
- Ne koristite oštre predmete, ne utrljavajte alkohol, zapaljive tečnosti ili abrazivna sredstva za čišćenje kako biste uklonili selotejp ili lepak. Pomenuti proizvodi mogu da oštete površinu Vašeg zamrzivača.
- Prilikom premeštanja zamrzivača, ne nakrećite zamrzivač tako da se nalazi pod uglovima većim od 45° u odnosu na vertikalni položaj.

ČIŠĆENJE PRE UPOTREBE

Nakon što uklonite kompletnu ambalažu (posebno je važno ukloniti stiropor koji se nalazi između spoljašnjeg hladnjaka i kućišta), a pre upotrebe Vašeg zamrzivača, očistite njegovu unutrašnjost.

ZAHTEVI U VEZI SA LOKACIJOM UREĐAJA

UPOZORENJE: Zapaljive materijale i isparenja, poput benzina, držite dalje od zamrzivača.

U suprotnom, može doći do nastanka smrti, eksplozije, požara ili opekotina.

- Kako biste osigurali adekvatno provetranje Vašeg zamrzivača, ostavite prostor od 200 mm između zidova i obe strane zamrzivača, 200 mm između zadnjeg dela Vašeg zamrzivača i zida, i 300 mm između gornje površine zamrzivača i površine koja ga natkriljuje.
- Ukoliko svoj zamrzivač postavljate pored fiksiranog zida, ostavite dovoljno prostora na strani na kojoj se nalaze šarke kako biste omogućili otvaranje vrata.
- Nikada ne postavljajte svoj zamrzivač u blizini izvora toplote i na mestima koja su izložena direktnim zracima sunca.

ZAHTEVI U VEZI SA ELEKTRIČNIM INSTALACIJAMA UREĐAJA

UPOZORENJE: NE UKLANJAJTE KRAK ZA UZEMLJENJE.

NE UPOTREBLJAVAJTE ADAPTER.

NE UPOTREBLJAVAJTE PRODUŽNI KABL.

U suprotnom, može doći do nastanka smrti, požara ili strujnog udara.

Pre nego što premestite svoj zamrzivač na njegovu konačnu lokaciju, važno je da se uverite da je ona opremljena odgovarajućim električnim konekcijama.

Preporučeni način uzemljenja

Neophodan je pristup struji od isključivo 220 ~ 240 volti / 50 Hz AC, koja je povezana na osigurač od 10 ampera i sa adekvatnim uzemljenjem. Preporučuje se da se obezbedi zasebno kolo za snabdevanje samo ovog uređaja. Upotrebljavajte utičnicu koja se ne može isključiti putem preklopnog prekidača ili prekidača na povlačenje. Ne upotrebljavajte produžni kabl.



NAPOMENA

Pre obavljanja bilo kakvog tipa instalacije, prekinite dovod struje do zamrzivača. Kada završite, povežite zamrzivač na izvor napajanja i podesite kontrole na željeno podešavanje.

NIVELISANJE

Ukoliko zamrzivač nije iznivelisan tokom instaliranja, vrata se možda neće na adekvatan način zatvarati ili neće prijanjati, što za rezultat može da ima probleme prilikom rashlađivanja, formiranje leda ili probleme sa vlagom. Izuzetno je važno da zamrzivač bude iznivelisan kako bi adekvatno funkcionisao.

Kako biste iznivelisali svoj zamrzivač, nožicu za nivelisanje možete da okrećete u smeru kretanja kazaljke na satu, kako biste podigli onu stranu zamrzivača na kojoj se data nožica nalazi, ili u smeru suprotnom od smeru kretanja kazaljke na satu, kako biste pomenutu stranu zamrzivača spustili.

NAPOMENA

Ukoliko Vam neko pomogne tako što će gurati gornji deo zamrzivača, smanjiće se težina kojom je opterećena nožice za nivelisanje. Na ovaj način se olakšava podešavanje nožice za nivelisanje.

UPOTREBA UREĐAJA

Da biste na najbolji način koristili svoj novi zamrzivač, važno je da ga upotrebljavate na odgovarajući način.

Kontrola temperature (opciono)

Temperatura unutar zamrzivača se kontroliše pomoću dugmeta za kontrolu termostata. Pomenuto dugme se nalazi na gornjem prednjem delu zamrzivača. Kako biste regulisali temperaturu unutar zamrzivača, okrenite dugme za kontrolu termostata ka gore ili ka dole. Na oznakama na kontrolnom dugmetu stoje vrednosti „1~4“, čime su označene različite temperaturne vrednosti. Temperaturne vrednosti se smanjuju, pri čemu su na poziciji „1“ temperaturne vrednosti najviše, a na poziciji „4“ najniže.

Pri normalnoj upotrebi, kontrole podesite na poziciju između vrednosti „1“ i „4“. Tačna pozicija je van temperaturnih vrednosti unutar zamrzivača. Generalno, izaberite vrednost „2“.

Temperatura unutar zamrzivača se kontroliše pomoću dugmeta za kontrolu termostata. Pomenuto dugme se nalazi na gornjem prednjem delu zamrzivača. Kako biste regulisali temperaturu unutar zamrzivača, okrenite dugme za kontrolu termostata ka gore ili ka dole. Na oznakama na kontrolnom dugmetu stoje vrednosti „cold~colder“ („hladno~hladnije“), čime su označene različite temperaturne vrednosti. Temperaturne vrednosti se smanjuju, pri čemu su na poziciji „cold“ („hladno“) temperaturne vrednosti najviše, a na poziciji „colder“ („hladnije“) najniže.

Pri normalnoj upotrebi, kontrole podesite na poziciju između vrednosti „cold“ („hladno“) i „colder“ („hladnije“). Tačna pozicija je van temperaturnih vrednosti unutar zamrzivača. Generalno, izaberite vrednost „“.

Držanje smrznute hrane (opciono)

Prilikom prve upotrebe zamrzivača ili nakon otapanja, dugme za kontrolu temperature okrenite tako da bude podešeno na vrednost „4“ tokom perioda od najmanje dva sata pre stavljanja hrane koja će se držati u uređaju.

Neophodno je da sve smrznute prehrambene proizvode koje kupite što je pre moguće stavite u zamrzivač, kako biste izbegli otapanje smrznute hrane. Uvek je potrebno pridržavati se preporuka proizvođača u vezi sa čuvanjem smrznute hrane, a koje su odštampane na ambalaži.

Imajte u vidu da fioka ne sme da ošteti instalacione cevi za rashlađivanje.

Prilikom prve upotrebe zamrzivača ili nakon otapanja, dugme za kontrolu temperature okrenite tako da bude podešeno na vrednost „colder“ („hladnije“) tokom perioda od najmanje dva sata pre stavljanja hrane koja će se držati u uređaju.

Zamrzavanje sveže hrane

Uverite se da svoje postupke zamrzavanja obavljate pri najvišim higijenskim uslovima, jer samo zamrzavanje ne podrazumeva sterilizaciju hrane. Preporučuje se da se ne zamrzava celokupna količina ujedno, već da se hrana pakuje u zasebne porcije dovoljne za jedan obrok. Nikada ne stavljajte vrelu, pa čak ni toplu hranu u zamrzivač. Pre nego što smrznutu hranu odložite, upakujte je u plastične kese,

listove aluminijuma ili u posude za zamrzavanje, a zatim je stavite u zamrzivač. Na poledini ove brošure, pogledajte stranicu sa podacima u vezi sa maksimalnom dozvoljenom količinom sveže hrane, izraženom u kilogramima, koju je moguće zamrznuti u okviru jednog perioda od 24 sata, pri sobnoj temperaturi od 25°C. Nikada ne zamrzavajte količinu hrane koja je veća od maksimalne dozvoljene.

NAPOMENA

Nikada ne stavljajte flaširanu hranu ili pića u odeljak za zamrzavanje. Za najbolji učinak, ostavite dovoljno prostora u odeljku za zamrzavanje da omogućite vazduhu da cirkulise oko pakovanja.

Obaveštenje: Pri određenim uslovima, možete ga koristiti bez fiok.

Otapanje

Izvucite utikač iz zidne utičnice, otvorite vrata i svu hranu premestite na hladno mesto. Uklonite led koristeći plastičnu spatulu ili ostavite da se temperatura prirodnim putem poveća do nivoa koji omogućava topljenje leda. Zatim brisanjem uklonite preostali led i vodu, nakon čega možete ponovo priključiti zamrzivač u utičnicu.

NAPOMENA

Kako biste izbegli oštećivanje zidova odeljka za zamrzavanje, ne upotrebljavajte oštre predmete za uklanjanje leda ili za odvajanje smrznute hrane.

Čišćenje Vašeg zamrzivača

Pre nego što počnete da čistite svoj zamrzivač, izvucite utikač iz utičnice.

- Kako bi se unapredio efekat hlađenja i ušteda energije, potrebno je blagovremeno čistiti prašinu iza frižidera i sa poda.
- Redovno proveravajte zaptivke na vratima kako biste se уверili da nisu zaprljane. Zaptivke na vratima čistite pomoću meke krpe navlažene vodom sa sapunicom ili razblaženim deterdžentom.
- Da bi se izbeglo formiranje neprijatnih mirisa, potrebno je redovno čistiti unutrašnjost frižidera.
- Pre nego što počnete da čistite unutrašnjost uređaja, prekinite dovod struje i izvadite svu hranu, pića, police, fiok itd.
- Za čišćenje unutrašnjosti frižidera koristite meku krpu ili sunder i četvrtinu litre tople vode u kojoj su rastvorene dve kafene kašike sode bikarbone. Zatim isperite vodom i obrišite. Nakon čišćenja, otvorite vrata uređaja i ostavite da se uređaj prirodno osuši pre nego što ga ponovo priključite u struju.
- Za delove frižidera koji se teško čiste (poput uskih prostora, otvora ili uglova), preporučuje se redovno brisanje mekom krpom, mekom četkom i sl., a, kada je to neophodno, i korišćenje određenih pomoćnih predmeta (poput tankih štapića), čime se onemogućava akumuliranje kontaminanata ili bakterija u pomenutim delovima.
- Ne upotrebljavajte sapune, deterdžente, abrazivni prah za čišćenje, sredstva za čišćenje u obliku spreja i sl., jer pomenuta sredstva mogu da dovedu do formiranja neprijatnih mirisa u unutrašnjosti frižidera ili do kontaminiranja hrane.
- Okvir za držanje boca, police i fiok očistite mekom krpom navlaženom vodom sa sapunicom ili razblaženim deterdžentom. Osušite mekom krpom ili ostavite da se osuši prirodnim putem.
- Spoljašnje površine frižidera obrišite mekom krpom navlaženom vodom sa sapunicom, deterdžentom i sl., a zatim osušite brisanjem.
- Ne upotrebljavajte tvrde četke, čelične žice za čišćenje, žičane četke, abrazivna sredstva (poput pasta za zube), organske rastvarače (poput alkohola, acetona, ulja banane itd.), ključalu vodu, kisela ili alkalna sredstva koja mogu da oštete površine i unutrašnjost frižidera. Klučala voda i organski rastvarači, poput benzena, mogu da deformišu ili oštete plastične elemente.
- Tokom čišćenja, uređaj nemojte ispirati direktno vodom ili drugim tečnostima, jer ćete na taj način izbeći pojavu kratkog spoja i oštećenja električne izolacije prilikom potapanja.

DUŽI PERIODI NEKORIŠĆENJA

Ukoliko zamrzivač neće biti u upotrebi tokom dužeg vremenskog perioda, postupite na sledeći način:

Prekinite vezu zamrzivača sa utičnicom tako što ćete izvaditi utikač iz zidne utičnice.

Očistite i osušite unutrašnjost na način naveden u poglavlju o čišćenju zamrzivača.

Vrata ostavite otvorena kako biste sprečili formiranje neprijatnih mirisa u periodu tokom koga se zamrzivač neće upotrebljavati.

OTKLANJANJE PROBLEMA

U slučaju lošeg rada uređaja, lako možete rešiti mnoge uobičajene probleme.

Vaš zamrzivač ne radi

- Proverite da li je priključni kabl izvučen iz utičnice.

Vrata se ne zatvaraju u potpunosti

Proverite:

- Da li se fioke nalaze u nepravilnom položaju.
- Da li su zaptivke zaprljane.
- Da li je zamrzivač neadekvatno iznivoisan.

Zamrzivač je bučan prilikom rada

- Proverite da li je zamrzivač iznivoisan i da li je u kontaktu sa nekim drugim uređajem ili komadom kuhinjskog nameštaja.

Zamrzivač ne hladi u dovoljnoj meri...

Proverite:

- Da li su vrata uređaja otvarana previše često, ili da li su ostavljena otvorena tokom dužeg vremenskog perioda; potrebno je vreme da zamrzivač postigne podešenu temperaturu.
- Da li je protok vazduha na zadnjem delu zamrzivača umanjen usled nedovoljnog prostora.

Sledeće karakteristike ne treba posmatrati kao probleme.

- Utišan zvuk curenja tečnosti, nastao usled proticanja rashladnog sredstva kroz cevi.
- Rad kompresora pri visokim temperaturama.

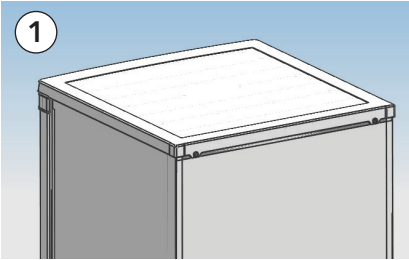


Pravilno odlaganje ovog proizvoda

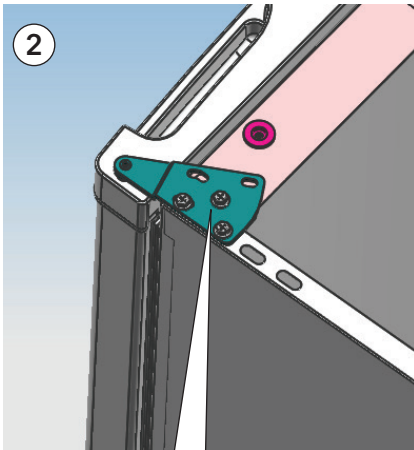
Ova oznaka ukazuje da ovaj proizvod u okviru EU ne treba odlagati zajedno sa ostalim otpadom iz domaćinstva. Kako biste sprečili potencijalnu štetu po životnu sredinu ili zdravlje ljudi nastalu nekontrolisanim odlaganjem otpada, odgovorno ga reciklirajte kako biste promovisali održivu ponovnu upotrebu materijalnih resursa. Za vraćanje svog polovnog uređaja, koristite sisteme za vraćanje i prikupljanje otpada ili kontaktirajte maloprodajni objekat u kome ste proizvod kupili. Ovim putem se proizvod može reciklirati na način bezbedan po životnu sredinu.

INSTALACIONE SMERNICE ZA PROMENU SMERA (ULEVO ILI UDESNO) OTVARANJA VRATA FRIŽIDERA (OPCIONO)

1. Pomoću krstastog odvijača skinite šrafove koji se nalaze iza fiksirane gornje površine i skinite poklopac frižidera.



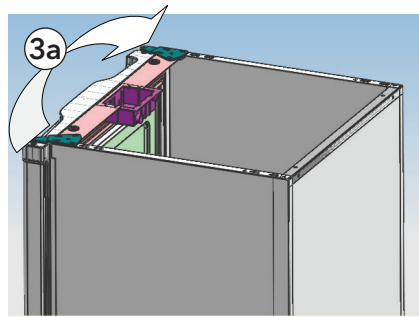
2. Pomoću krstastog odvijača skinite šrafove kojima je pričvršćena gornja šarka.



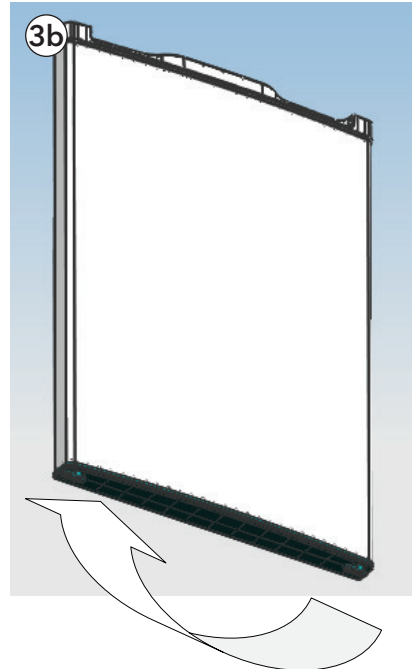
Šrafovi kojima je pričvršćena gornja šarka

3. Gornju šarku i granični blok vrata, kao i jednodelnu posteljicu za vrata, ponovo postavite na suprotnu stranu uređaja

A. Postavite gornju šarku.



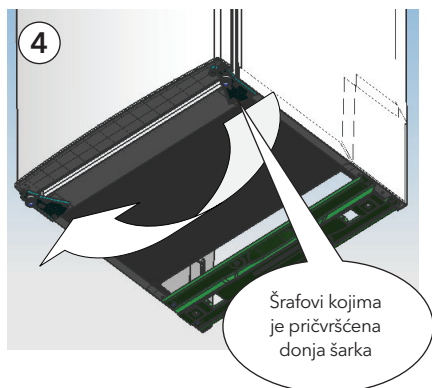
B. Postavite jednodelnu posteljicu i granični blok za vrata.



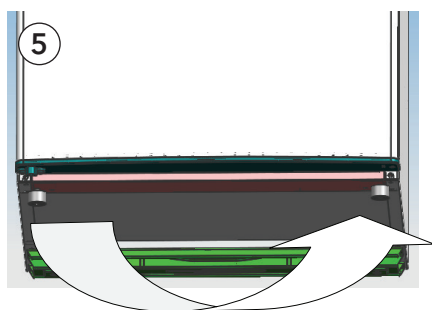
4. Pomoću krstastog odvijača skinite šrafove kojima je pričvršćena donja šarka i šarku postavite na suprotnu stranu uređaja, a zatim je pričvrstite šrafovima.

NAPOMENA

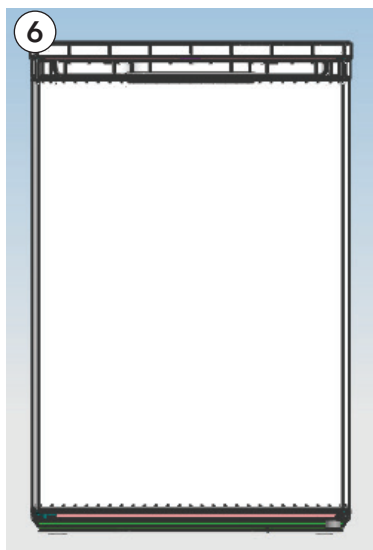
Nagib frižidera mora biti manji od 45°.



5. Postavite nivelator na suprotnu stranu uređaja i podesite ga kako biste bili sigurni da je kućište iznivelisano



6. Vrata postavite u odgovarajući položaj i pričvrstite gornju šarku, a zatim i poklopac na gornjem delu uređaja.



Uverite se da je uređaj isključen iz struje i ispražnjen.

Podesite dve nožice za nivelisanje na njihovu najvišu poziciju.

Preporučujemo Vam da pronađete nekoga ko će Vam u tome pomoći.

NAPOMENA

Za skidanje vrata, potrebno je nakrenuti uređaj unazad.

Uređaj bi trebalo da oslonite na neki čvrsti predmet, npr, na stolicu, na onom delu koji se nalazi odmah ispod njegove gornje površine.

Ne polažite uređaj u potpuno horizontalni položaj, jer se na taj način može oštetiti instalacioni sistem za rashladno sredstvo.

SAVETI ZA UŠTEDU ENERGIJE

- Uređaj treba postaviti na najhladnijem mestu u prostoriji, što dalje od uređaja koje proizvode toplotu ili cevi za grejanje, na mestu koje nije izloženo direktnim zracima sunca.
- Pre nego što vrelu hranu stavite uređaj, ostavite je da se ohladi na sobnoj temperaturi. Prepunjavanjem uređaja, kompresor je primoran da radi duže. Hrana čije se zamrzavanje vrši preterano sporo može da izgubi na svom kvalitetu ili da se pokvari.
- Uverite se da je hrana adekvatno upakovana i osušite posude brisanjem pre nego što ih stavite u uređaj. Na taj način smanjujete formiranje leda unutar uređaja.
- Fioke za skladištenje u okviru uređaja ne treba oblagati aluminijumskom folijom, masnim papirom ili papirnim ubrusima. Materijal upotrebljen za oblaganje utiče na cirkulisanje hladnog vazduha, što uređaj čini manje efikasnim.
- Organizujte i obeležite hranu kako biste što ređe otvarali uređaj i što kraće tražili željenu hranu u njemu. Uzmite sve što Vam je potrebno odjednom, a vrata uređaja zatvorite što je pre moguće.

TESLA

tesla.info

