

TESLA

WINE COOLER

RW092M

User Manual

ENG

BiH/
CG

BG

GR

HU

HR

MK

RO

SLO

SRB



Product images are for illustrative purposes only and may differ from the actual product.

SAFETY WARNINGS

RECOMMENDATIONS:

- This appliance is intended to be used in household and similar applications such as staff kitchen areas in shops, offices and other working environments; farm houses and by clients in hotels, motels and other residential type environments; bed and breakfast type environments; catering and similar non-retail applications.
- This appliance is not intended for use by persons (including children) with reduced physical, sensory or mental capabilities, or lack of experience and knowledge, unless they have been given supervision or instruction concerning use of the appliance by a person responsible for their safety.
- Children should be supervised to ensure that they do not play with the appliance.
- If the supply cord is damaged, it must be replaced by the manufacturer, its service agent or similarly qualified persons in order to avoid a hazard.
- DO not store explosive substances such as aerosol cans with a flammable propellant in this appliance.
- The appliance has to be unplugged after use and before carrying out user maintenance on the appliance.
- Keep ventilation openings, in the appliance enclosure or in the built-in structure, clear of obstruction.
- Do not use mechanical devices or other means to accelerate the defrosting process, other than those recommended by the manufacturer.
- Do not damage the refrigerant circuit.
- Do not use electrical appliances inside the food storage compartments of the appliance, unless they are of the type recommended by the manufacturer.
- Please abandon the refrigerator according to local regulators for it use flammable blowing gas and refrigerant.
- When positioning the appliance, ensure the supply cord is not trapped or damaged.
- Do not locate multiple portable socket-outlets or portable power supplies at the rear of the appliance.
- DO not use extension cords or ungrounded (two prong) adapters.
- Danger Risk of child entrapment. Before you throw away your old refrigerator or freezer:
 - Take off the doors.
 - Leave the shelves in place so that children may not easily climb inside.
- The refrigerator must be disconnected from the source of electrical supply before attempting the installation of accessory.
- Refrigerant and cyclopentane foaming malarial used for lha appliance are flammable. Therefore, when lha appliance is scrapped, it shall be kept away from any fire source and be recovered by a special recovering company with corresponding qualification other than be disposed by combustion, so as to prevent damage to the environment or any other harm.
- The necessity that, for doors or lids fitted with locks and keys, lha keys be kept out of lha reach of children and not in the vicinity of the refrigerating appliance, in order lo prevent children from being locked inside.
- This appliance can be used by children aged from 8 years and above and persons with reduce physical sensory or mental capabilities or lack of experience and knowledge if they have been given supervision or instruction concerning use of lhe appliance in a safe way and understand the hazards involved. Children shall not play with the appliance. Cleaning and user maintenance shall not be made by children without supervision. Children aged from 3 to 8 years are allowed lo load and unload refrigerating appliances.
- For a freestanding appliance: this refrigerating appliance is not intended to be used as a built-in appliance.
- For wine storage appliances: this appliance is intended to be used exclusively for the storage of wine.
- Any replacement or maintenance of the LED lamps is intended to be made by the manufacturer, its service agent or similar qualified person.

Meaning of safety warning symbols



This is a prohibition symbol. Any incomppliance with instructions marked with this symbol may result in damage to the product or endanger the personal safety of the user.



This is a warning symbol. It is required to operate in strict observance of instructions marked with this symbol; or otherwise damage to the product or personal injury may be caused.



This is a cautioning symbol. Instructions marked with this symbol require special caution. Insufficient caution may result in slight or moderate injury, or damage to the product.

This manual contains lots of important safety information which shall be observed by the users.

Electricity related warnings

- Do not pull the power cord when pulling the power plug of the wine cooler. Please firmly grasp the plug and pull it out from the socket directly.
- Do not damage the power cord under any condition so as to ensure safety use, do not use when the power cord is damaged or the plug is worn.
- Worn or damaged power cord shall be replaced in manufacturer-authorized maintenance stations.
- The power cord should be firmly contacted with the socket or else fires might be caused. Please ensure that the grounding electrode of the power socket is equipped with a reliable grounding line.
- Please turn off the valve of the leaking gas and then open the doors and windows in case of leakage of gas and other flammable gases. Do not unplug the cooler and other electrical appliances considering that spark may cause a fire.
- To ensure safety, it is not recommended that to place socket, regulators, rice cookers, microwave ovens and other appliances at the top of the wine cooler, those recommended by the manufacturer are not included. Do not use electrical appliances in the food pantry.

Warnings for using

- Do not arbitrarily disassemble or reconstruct the wine cooler, nor damage the refrigerant circuit; maintenance of the appliance must be conducted by a specialist.
- Damaged power cord must be replaced by the manufacturer, its maintenance department or related professionals in order to avoid danger.
- The gaps between cooler door and cooler body are small, be noted not to put your hand in these areas to prevent from squeezing the finger. Please be gentle when close or open the cooler door to avoid falling articles.
- Do not give package and other components to children to play. The bending board and plastic film may lead to suffocation! Do not allow children to enter or climb the cooler to prevent that children are sealed in the cooler or children are injured by the falling cooler.
- Do not spray or wash the cooler; do not put the cooler in moist places easy to be splashed with water so as not to affect the electrical insulation properties of the cooler.
- Do not use cooler body, cooler door, etc. as pedal or support.
- Do not place heavy objects on the top of the cooler considering that objects may fall when open or close the door, and accidental injuries might be caused.

Warnings related to placing items

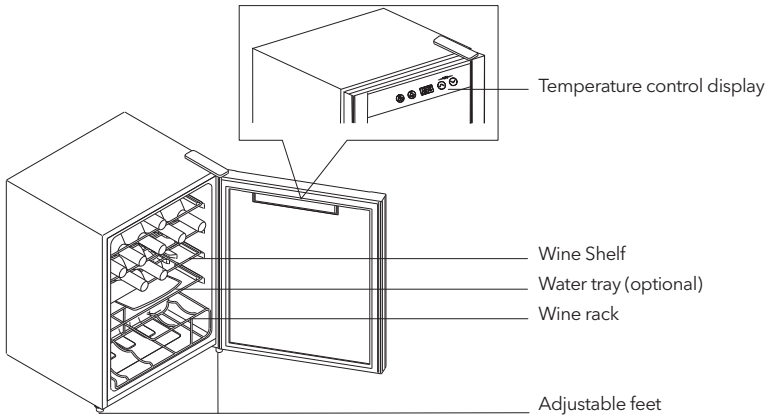
- Do not put flammable, explosive, volatile and highly corrosive items in the cooler to prevent damages to the product or fire accidents.
- Do not place flammable items near the cooler to avoid fires.
- This product is household cooler and this equipment can only be used for the storage of wine. According to the standard requirements, household cooler shall not be used for other purposes, such as storage of blood, drugs or biological products.

Warnings for energy

1. Wine cooler might not operate consistently when sited for an extended period of time below the cold end of the range of temperatures for which the cooler appliance is designed.
2. The need to not exceed the storage time(s) recommended by the wine manufacturers for any kind of wine.
3. The precautions necessary to prevent an undue rise in the temperature of the wine while defrosting the wine cooler.
4. The fact that a rise in temperature of the wine during manual defrosting, maintenance or cleaning could shorten the storage life.

PROPER USE OF REFRIGERATORS

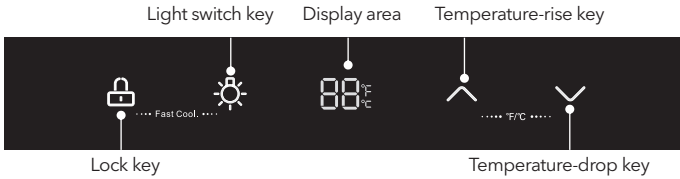
Names of components



The picture above is only for reference. The actual configuration will depend on the physical product or statement by the distributor.

- The recommended temperature is 12°C; please keep the wine rack in the original state.
- Internal humidity range from 50% to 80% for Wine storage compartment. (For EU)
- The temperature in the wine cooler is 5-18°C, only used to store unopened bottled wine (red wine, white wine, rose wine).
- Do not place food in the wine cooler to prevent bacterial contamination.
- Please keep the interior of the wine cabinet dry, please drink bottled wine during the validity period.

Temperature Control



The picture above is only for reference. The actual configuration will depend on the physical product or statement by the distributor.

Display Control

When power on the wine cooler for 1st time, the display screen will display in full for 3 seconds, and the start-up tone will ring, and then enter into the display of normal running;

When it is in the locked state, the display screen will turn off if no key operation for 30 seconds; the display screen recover the normal display if any key operation.



This cooler adopts the touch control of the glass door. Touch slightly when pressing the keys. It is to be avoided that A the area of the display panel is scratched by the sharp things and it shall be kept away from the environment of high magnetic field and high humidity. Otherwise the cooler is possible not to be set and operate normally.

Locking and unlocking

Under the locked state, long press the "Lock key (🔒)" continuously for 3 seconds, the locking will be relieved; the display area will blink;

Under the unlocked state, long press the "Lock key (🔒)" continuously for 3 seconds to enter into the locked state;

Except the lighting function, the following functions will be carried out under the unlocked state.

Lighting

Press the "light switch key (💡)" to turn on or turn off the light.

Switching of the Fahrenheit temperature and Celsius temperature

Press the "Temperature-rise key (⬆️)" and the "Temperature-drop key (⬇️)" at same time to finish the switch of the Celsius temperature and Fahrenheit temperature; the display area will show the setting Fahrenheit temperature or Celsius temperature under the existing mode.

Temperature setting

Press the "Temperature-rise key (⬆️)", the temperature will increase 1°C (or °F). After locking, the cooler will run according to the setting value;

Press the "Temperature-drop key (⬇️)", the temperature will decrease 1°C (or °F). After locking, the cooler will run according to the setting value.



Setting range of the Celsius temperature: 5°C~18°C ; setting range of the Fahrenheit temperature: 41°F-65°F.

Memory function

The cooler has the power off memory function. After power on again, the cooler will run according to the setting before the power-off.

Fault indication

If the indication of the following table is displayed on the display area, it means the cooler is with fault.

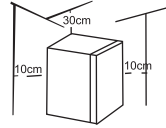
Fault code	E1	E4
Description	Temperature sensor of the wine cooler with fault	Defrosting sensor of the wine cooler with fault



When the above faults are displayed on the screen, please do not disassemble wine cooler to check by yourself. Please contact the special maintenance personnel of the local after-sales service company for the maintenance.

Placement

- Before using the cooler, remove all packaging materials including bottom cushions and foam pads and tapes inside the cooler, tear off the protective film on the door and the cooler body.
- Avoid direct sunlight and heat sources such as stove, heating radiator, etc.
- The cooler is placed in a well-ventilated indoor place; the ground shall be flat, and sturdy (rotate left or right to adjust the wheel for levelling if unstable).
- The top space of the cooler shall be greater than 30cm, and the distances from both sides and backside shall be more than 10cm to facilitate heat dissipation.
- This cooler needs to be installed independently and cannot be used as a built-in. Otherwise, it will cause problems such as failure to install into the cabinet, the performance and life of the product are reduced. And the manufacturer does not provide basic product warranty.

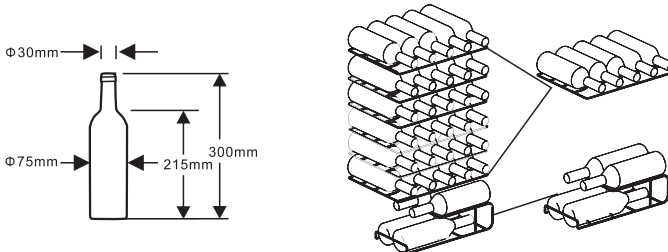


Start to use

- After transportation, please let the wine cooler stay for more than 2 hours before turning on the power, otherwise it will lead to a decrease in cooling capacity or a damage to the wine cooler. The cooler shall stay for half an hour before connecting power when it is firstly started. Clean up the inner chamber before put into use for first time .
- Please pull out plug in case of power failure or cleaning. Do not connect the wine cooler to power supply within five minutes to prevent damages to the compressor due to successive starts.
- In the process of compressor work, water droplets or frost will be formed on the back wall of the refrigerated compartment, which is a normal phenomenon. After a period of time, the frost will melt into water and flow into the water tray to evaporate away.
- Do not connect cooler to electronic energy saving plug and converter that can convert DC into AC (E.g.: solar energy system, ship grid).

The arrangement of bottle

- Do not let bottle touch the back side of wine cooler in order to maintain good air circulation in the cooler.
- The bottle number here may be different from bottles in different shape and size.
- The capacity for bottle storage in the wine cabinet is based on the following marked bottle size. Oversized bottle may have impact on the number of bottle storage in the wine cabinet.



The picture above is only for reference. The actual configuration will depend on the physical product or statement by the distributor.

Practical skills for grape wine's storage

- Do not store bottled wine by box or case in refrigerator.
- The cork of the old bottle shall always be soaked in the wine when putting into wine cooler. Air space is not allowed between wine and cork.
- Open-type bottle shelf is helpful, as it does not cut off air circulation. The air moisture that condensed on bottle can be dried out swiftly.
- The wine shall before drinking: Such as put pink red wine onto the table 2-5 hours before drinking and red wine 4-5 hours, then can reach suitable serving temp. White wine, on the contrary, can be served right on the table. Champagne shall always be stored in cooler and taken out only before drinking.
- Please notice that wine's temperature is always lower than ideal serving temp, as the temperature will immediately rise 1 to 2°C when pouring into tumbler.

Serving temperature

The wine's taste depends on right pouring temperature; therefore it determines its flavor. We suggest the wine's temperature reaches the following degree when pouring:

Wine Kinds	Serving Temp
Bordeaux red	18°C
Louis Family dry red wine/Barolo	17°C
Burgundy red/Bordeaux red	16°C
Port	15°C
Young Burgundy red	14°C
Young red wine	12°C
Young Beaujolais/all white wines with little residual sugar	11°C
Old white wines/Chardonnay	10°C
Sherry	9°C
Young white wines from late vintage	8°C
White wines Loire/Entre-deux-Mers	7°C

Energy saving tips

- The Cooler shall be placed in room dry and ventilated. The cooler cannot be put under direct sunlight or next to heat source (such as radiator, stove, etc.), and a suitable insulation board shall be applied if necessary.
- Try to shorten opening time of cooler's door.

MAINTENANCE OF WINE COOLER

Disconnect the wine cooler

Unplug power plug to disconnect the cooler.

Stop using the wine cooler

If the cooler left unused for a long time, please:

1. Unplug the cooler;
2. Clean the cooler;
3. Keep the cooler door open.

Clean the wine cooler

- Dusts behind the wine cooler and on the ground shall be timely cleaned to improve the cooling effect and energy saving.
- Check the door gasket regularly to make sure there are no debris. Clean the door gasket with a soft cloth dampened with soapy water or diluted detergent.
- The interior of the wine cooler should be cleaned regularly to avoid odor.
- Please turn off the power before cleaning, remove drinks ,shelves, etc.
- Use a soft cloth or sponge to clean the inside of the wine cooler, with two tablespoons of baking soda and a quart of warm water. Then rinse with water and dry with a soft cloth. After cleaning, open the door and let it dry naturally before turning on the power.
- For areas that are difficult to clean in the wine cooler (such as narrow sandwiches, gaps or corners), it is recommended to wipe them regularly with a soft rag, soft brush, etc. and when necessary, combined with some auxiliary tools (such as thin sticks) to ensure no contaminants or bacterials accumulation in these areas.
- Do not use soaps, detergents, spray cleaners, etc. to clean the inside of your cooler as these may create odors or contamination.
- Clean the shelves with a soft cloth dampened with soapy water or diluted detergent. Then rinse with water and dry with a soft cloth or dry naturally.
- The wooden wine rack should not be directly immersed in liquid to prevent cracking or mold after moisture. The wooden wine rack is cleaned with a dry soft cloth. The heavily contaminated wooden wine rack should be cleaned with a soft cloth that has been wrung out, and dry naturally.
- Wipe the outer surface of the wine cooler with a soft cloth dampened with soap water, detergent, etc., and then wipe dry. Do not rub or scratch the surface of the glass door to prevent the door from being broken or scratched.
- Do not use hard brushes, clean steel balls, wire brushes, abrasives(such as toothpastes), organic solvents (such as alcohol, acetone, banana oil, etc.), boiling water, acid or alkaline items, which may damage the wine cooler surface and interior. Boiling water and organic solvents such as benzene may deform or damage plastic parts.
- Do not rinse directly with water or other liquids during cleaning to avoid short circuits or affect electrical insulation after immersion. Water should not soak the operating control elements and lighting system in the glass door.

Notice:

Do not use detergent and solvent with sand or acid.

TROUBLESHOOTING

Not work	Whether the cooler is plugged and connected to power; Low voltage; Whether temperature control knob is in the work area; Failure power or tripping circuit.
Long-term operation of compressor	It is normal that cooler operates for longer time in summer when the ambient temperature is higher; Do not put too much beverage s in the cooler at one lime; Frequent opening of cooler door.
Light not work	Whether the cooler is connected to power, whether the indicator light is damaged.
Loud noises	Whether the floor is flat, whether the placement of cooler is stable; Whether the cooler accessories are properly placed.
Over heat on sidewall Surface condensation	The cooler enclosure may emit heat during running specially in summer, this is caused by the radiation of the condenser, and it is a normal phenomenon. Condensation: condensation phenomenon will be detected on the exterior surface and door seals of the cooler when the ambient humidity is high, this is a normal phenomenon, and after wiping with towel, turns up the set temperature of the appliance properly.
Airflow sound Buzz Clatter	Refrigerants circulating in the refrigerant lines will produce eruption of sound and grunts which is normal does not affect the cooling effect. Buzz will be generated by running compressor specially when starting up or shutting down. The solenoid valve or electric switch valve will clatter which is a normal phenomenon and does not affect the operation.

Warnings for disposal



Refrigerant and cyclopentane foaming material used for the wine cooler are flammable. Therefore, when the wine cooler is scrapped, it shall be kept away from any fire source and be recovered by a special recovering company with corresponding qualification other than be disposed by combustion, so as to prevent damage to the environment or any other harm.



When the wine cooler is abandoned, please remove the door of the wine cooler, when removing the door body, pay attention to prevent pinching hands, and remove the door seal and shelves, put the door and shelves in a suitable position, so that children will not enter to play and have an accident.



Correct Disposal of this product:

This marking indicates that this product should not be disposed with other household wastes. To prevent possible harm to the environment or human health from uncontrolled waste disposal, recycle it responsibly to promote the sustainable reuse of material resources. To return your used device, please use the return and collection systems or contact the retailer where the product was purchased. They can take this product for environmental safe recycling.

Product Information Sheet

COMMISSION DELEGATED REGULATION (EU) 2019/2016 with regard to energy labelling of refrigerating appliances

Supplier's name or trade mark: Tesla

Supplier's address: Tesla Electronics, Litijaska 47, 1000 Ljubljana, SI

Model identifier: RW092M

Type of refrigerating appliance:

Low-noise appliance:	No	Design type:	freestanding
----------------------	----	--------------	--------------

Wine storage appliance:	Yes	Other refrigerating appliance:	No
-------------------------	-----	--------------------------------	----

General product parameters:

Parameter		Value	Parameter	Value
Overall dimensions (millimetre)	Height	845	Total volume (dm ³ or l)	93
	Width	470		
	Depth	470		
EEL		178	Energy efficiency class	G
Airborne acoustical noise emissions (dB(A) re 1 pW)		40	Airborne acoustical noise emission class	C
Annual energy consumption (kWh/a)		145	Climate class:	extended temperate, temperate, subtropical
Minimum ambient temperature (°C), for which the refrigerating appliance is suitable		10	Maximum ambient temperature (°C), for which the refrigerating appliance is suitable	38
Winter setting		No		

Compartment Parameters:

Compartment parameters and values				
Compartment type	Compartment Volume (dm ³ or l)	Recommended temperature setting for optimised food storage (°C)	Freezing capacity (kg/24h)	Defrosting type (auto-defrost=A, manual defrost=M)
		These settings shall not contradict the storage conditions set out in Annex IV, Table 3		

Pantry	No	-	-	-	-
Wine storage	Yes	93,0	-	-	M
Cellar	No	-	-	-	-
Fresh food	No	-	-	-	-
Chill	No	-	-	-	-
0-star or ice-making	No	-	-	-	-
1-star	No	-	-	-	-
2-star	No	-	-	-	-
3-star	No	-	-	-	-
4-star	No	-	-	-	-
2-star section	No	-	-	-	-
Variable temperature compartment	-	-	-	-	-
For wine storage appliances					
Number of standard wine bottles			34		
Light source parameters:					
Type of light source			LED		
Energy efficiency class			-		
Minimum duration of the guarantee offered by the manufacturer: 24 months					
Additional information:					
Weblink to the manufacturer's website, where the information in point4(a) Annex of Commission Regulation (EU) 2019/2019 is found: tesla.info					

Link to the EU EPREL database

The QR code on the energy label supplied with the appliance provides a web link to the registration of this appliance in the EU EPREL database. Keep the energy label for reference together with the user manual and all other documents provided with this appliance.

It is possible to find information related to the performance of the product in the EU EPREL database using the link <https://eprel.ec.europa.eu> and the model name and product number that you can find on the rating plate of the appliance.

For more detailed information about the energy label, visit www.theenergylabel.eu.

EU DECLARATION OF CONFORMITY

Manufacturer business name: TESLA/COMTRADE DISTRIBUTION D.O.O. BEOGRAD

Manufacturer address: BULEVAR ZORANA ĐINĐIĆA 125I, 11000 BEOGRAD

WE, MANUFACTURER OF BELOW DESCRIBED PRODUCTS, HEREBY DECLARE UNDER OUR SOLE RESPONSIBILITY, THAT THE PRODUCTS TO WHICH THIS DECLARATION RELATES:

product description:

Brand	Model	Type of products
TESLA	RW092M	Refrigerator

ARE IN CONFORMITY WITH THE FOLLOWING STANDARDS AND LEGISLATIVE ACTS:

Harmonised standard	Legislative act
IEC 60335-2-24:2010 AMD 1:2012 AMD 2:2017 in conjunction with IEC 60335-1:2010, COR1:2010 COR2:2010 AMD1:2013 COR1:2014 AMD 2:2016, COR1:2016	Electromagnetic Compatibility (EMC) 2014/30/EU
EN IEC 55014-1:2021 EN IEC 61000-3- 2:2019+A1:2021 EN IEC 55014-2:2021 EN 61000-3- 3:2013+A1:2019+A2:2021 BS EN IEC 55014-1:2021 BS EN IEC 61000-3- 2:2019+A1:2019 BS EN IEC 55014-2:2021 BS EN 61000-3- 3:2013+A1:2019+A2:2021	Low Voltage Directive (LVD) 2014/35/EU

Place and date of issue: Belgrade, 03.04.2023.

Signed for and on behalf of manufacturer:

(Signature and stamp)

Name of authorised person: Nebojša Lozo
Function of authorised person: General manager

BEZBJEDNOSNA UPOZORENJA

PREPORUKE:

- Ovaj uređaj je namijenjen za upotrebu u domaćinstvu i sličnim aplikacijama kao što je npr kuhinjski prostori za osoblje u prodavnicama, kancelarijama i drugim radnim okruženjima; seoske kuće i od strane klijenata u hotelima, motelima i drugim okruženjima stambenog tipa; okruženja tipa noćenje i doručak; ugostiteljstvo i slične aplikacije koje nisu u maloprodaji.
- Ovaj uređaj nije namijenjen za upotrebu od strane osoba (uključujući djecu) sa smanjenim fizičkim, senzornim ili mentalnim sposobnostima ili nedostatkom iskustva i znanja, osim ako su bili pod nadzorom ili instrukciji u vezi sa upotrebom uređaja od strane osobe odgovorne za njihovu bezbjednost.
- Djecu treba nadzirati kako bi se osiguralo da se ne igraju sa uređajem.
- Ako je kabal za napajanje oštećen, mora ga zamijeniti proizvođač, njegov serviser ili slično kvalifikovane osobe kako bi se izbjegla opasnost.
- Ne skladištite eksplozivne supstance kao što su aerosolne limenke sa zapaljivim gorivom u ovom uređaju.
- Aparat se mora isključiti iz utičnice nakon upotrebe i prije obavljanja korisničkog održavanja na uređaju.
- Otvore za ventilaciju, u kućištu uređaja ili u ugrađenoj konstrukciji, održavajte čistim od prepreka.
- Nemojte koristiti mehaničke uređaje ili druga sredstva za ubrzavanje procesa odmrzavanja, osim onih koje preporučuje proizvođač.
- Nemojte oštetiti krug rashladnog sredstva.
- Ne koristite električne uređaje unutar pregrada za odlaganje hrane u uređaju, osim ako nisu tipa koje preporučuje proizvođač.
- Molimo odložite frižider u skladu sa lokalnim regulatorima jer koristi zapaljivi gas i rashladno sredstvo.
- Kada postavljate uređaj, uvjerite se da kabal za napajanje nije zaglavio ili oštećen.
- Nemojte locirati više prenosivih utičnica ili prenosivih izvora napajanja na zadnjoj strani uređaja.
- Nemojte koristiti produžne kablove ili neuzemljene (dvokrake) adaptere.
- Opasnost Rizik od uklještenja djeteta. Prije nego što bacite stari frižider ili zamrzivač:
 - Skini vrata.
 - Ostavite police na mjestu kako djeca ne bi mogla lako da se popnu unutra.
- Frižider se mora isključiti iz izvora električne energije prije nego što pokušate da instalirate dodatnu opremu.
- Rashladno sredstvo i ciklopentan pjene malarija koja se koristi za lha uređaj su zapaljivi.
- Zbog toga, kada se lha uređaj rashodi, on mora biti udaljen od bilo kakvog izvora požara i biti će vraćen od strane posebne kompanije za oporavak sa odgovarajućom kvalifikacijom osim da se odlaze sagorijevanjem, kako bi se spriječila šteta po životnu sredinu ili bilo koja druga šteta.
- Neopходnost lha!, za vrata ili poklopce opremljene bravama i ključevima, lha ključeve čuvajte van domašaja djece i ne u blizini rashladnog uređaja, kako biste spriječili da djeca budu zaključana unutra.
- Ovaj uređaj mogu da koriste djeca uzrasta od 8 godina i više i osobe sa smanjenim fizičkim senzornim ili mentalnim sposobnostima ili nedostatkom iskustva i znanja ako su pod nadzorom ili instrukcije u vezi sa korištenjem uređaja na bezbjedan način i razumiju opasnost uključeni. Djeca se ne smiju igrati sa uređajem. Čišćenje i korisničko održavanje ne smiju da vrše djeca bez nadzora. jDeca uzrasta od 3 do 8 godina dozvoljeno je utovar i istovar rashladnih uređaja.
- Za samostojeći aparat: ovaj rashladni uređaj nije namijenjen za upotrebu kao ugrađeni uređaj.
- Za uređaje za skladištenje vina: ovaj uređaj je namijenjen isključivo za skladištenje vina.
- Svaka zamjena ili održavanje LED lampe su namijenjene da ih proizvodi proizvođač, njegov serviser ili slično kvalifikovano lice.

Značenje simbola za bezbjednosna upozorenja



Ovo je simbol zabrane. Svaka neusaglašenost sa uputstvima označenim ovim simbolom za rezultat može imati oštećenje proizvoda ili opasnost po ličnu bezbjednost korisnika.



Ovo je simbol upozorenja. Neophodno je da se uređaj upotrebljava uz strogo poštovanje uputstava označenih ovim simbolom; u suprotnom, može doći do nastanka oštećenja na proizvodu ili povreda kod ljudi.



Ovo je simbol opreza. Uputstva označena ovim simbolom pozivaju na poseban oprez. Nedovoljni stepen opreza za rezultat može imati nastanak manjih ili umjerenih povreda, ili oštećenje proizvoda.

Ovo uputstvo sadrži mnoštvo važnih informacija o bezbjednosti kojih korisnici moraju da se pridržavaju.

Upozorenja u vezi sa strujom

- Nemojte povlačiti kabal za napajanje kada vučete utikač hladnjaka za vino. Čvrsto uhvatite utikač i izvucite ga direktno iz utičnice.
- Nemojte oštetiti kabal za napajanje ni pod kojim uslovima da biste obezbijedili bezbjednu upotrebu, nemojte ga koristiti kada je kabal za napajanje oštećen ili utikač istrošen.
- Istrošeni ili oštećeni kablovi za napajanje će se zamijeniti u servisnim stanicama koje je odobrio proizvođač.
- Kabal za napajanje treba da bude čvrsto u kontaktu sa utičnicom, inače može doći do požara. Uvjerite se da je elektroda za uzemljenje utičnice opremljena pouzdanom linijom za uzemljenje.
- Isključite ventil gasa koji curi, a zatim otvorite vrata i prozore u slučaju curenja gasa i drugih zapaljivih gasova. Ne isključujte hladnjak i druge električne uređaje s obzirom da varnica može izazvati požar.
- Radi sigurnosti, ne preporučuje se postavljanje utičnica, regulatora, šporeta za rižu, mikrovalnih pećnica i drugih uređaja na vrh hladnjaka za vino, oni koje preporučuje proizvođač nisu uključeni. Ne koristite električne uređaje u ostavi za hranu.

Upozorenje za upotrebu

- Nemojte proizvoljno rastavljati ili rekonstruisati hladnjak za vino, niti oštetiti krug rashladnog fluida; održavanje uređaja mora da obavlja specijalista.
- Oštećeni kabal za napajanje mora da zamijeni proizvođač, njegovo odjeljenje za održavanje ili srodni stručnjaci kako bi se izbjegla opasnost.
- Zazori između vrata hladnjaka i tijela hladnjaka su mali, imajte na umu da ne stavljate ruku u ove oblasti kako biste spriječili da stisnete prst. Budite pažljivi kada zatvarate ili otvarate vrata hladnjaka kako biste izbjegli da predmeti padaju.
- Nemojte davati pakete i druge komponente djeci da se igraju. Daska za savijanje i plastična folija mogu dovesti do gušenja! Ne dozvolite djeci da uđu ili da se penju na hladnjak kako biste spriječili da djeca budu zatvorena u hladnjaku ili da se djeca povređuju zbog pada hladnjaka.
- Nemojte prskati ili prati hladnjak; ne stavljajte hladnjak na vlažna mjesta koja se lako poprskaju vodom kako ne biste uticali na električnu izolaciju hladnjaka.
- Ne koristite tijelo hladnjaka, vrata hladnjaka itd. kao pedalu ili podršku.
- Ne stavljajte teške predmete na ivicu hladnjaka jer bi mogli da padnu prilikom otvaranja ili zatvaranja vrata i mogu izazvati slučajne povrede.

Upozorenja vezana za postavljanje

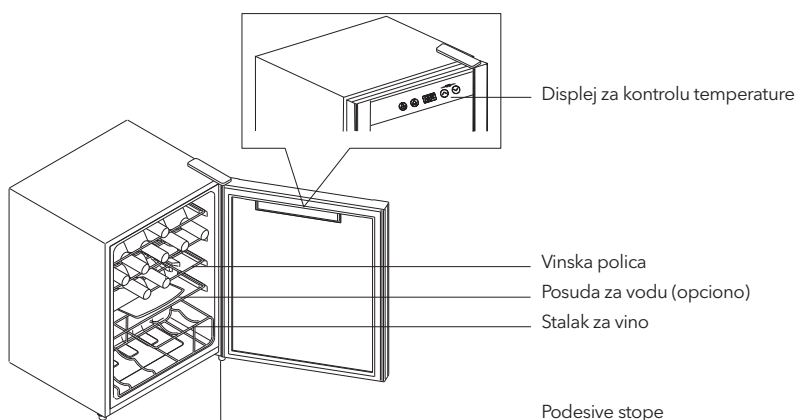
- Ne ostavljajte zapaljivo, eksplozivno, isparljivo i veoma korozivne predmete u hladnjaku kako bi se spriječila oštećenja proizvoda ili požari.
- Ne postavljajte zapaljive predmete blizu hladnjaka da biste izbjegli požar.
- Ovaj proizvod je hladnjak za domaćinstvo i ova oprema se može koristiti samo za skladištenje vina. Prema standardnim zahtjevima, kućni hladnjak se ne smije koristiti u druge svrhe, kao što je skladištenje krvi, lijekova ili bioloških proizvoda.

Upozorenja za energiju

1. Hladnjak za vino možda neće raditi konzistentno ako je postavljen na duži period ispod niskog kraja raspona temperatura za koje je hladnjak dizajniran.
2. Potreba lo ne prelazi vrijeme skladištenja koje preporučuju proizvođači vina za bilo koju vrstu vina.
3. Mjere predostrožnosti neophodne za sprječavanje neopravdanog povećanja temperature vina tokom odmrzavanja hladnjaka za vino.
4. Činjenica da porast temperature vina tokom ručnog odmrzavanja, održavanja ili čišćenja može skratiti vijek skladištenja.

PRAVILNA UPOTREBA FRIŽIDERA

Nazivi komponenti



Slika iznad je samo za referencu. Stvarna konfiguracija zavisiće od fizičkog proizvoda ili izjave distributera.

- Preporučena temperatura je 12°C; molimo vas da držać za vino bude u originalnom stanju.
- Opseg unutrašnje vlažnosti od 50% do 80% za odjeljak za skladištenje vina. (Za EU)
- Temperatura u hladnjaku za vino je 5-18°C, koristi se samo za čuvanje neotvorenog flaširanog vina (crno vino, bijelo vino, roze vino).
- Ne stavljajte hranu u hladnjak za vino da biste spriječili bakterijsku kontaminaciju.
- Molimo vas da unutrašnjost vinskog ormarića bude suha, pijte flaširano vino tokom perioda važenja.

Kontrola temperature



Slika iznad je samo za referencu. Stvarna konfiguracija zavisice od fizičkog proizvoda ili izjave distributera.

Kontrola ekrana

Kada prvi put uključite hladnjak za vino, ekran će se prikazati u potpunosti u trajanju od 3 sekunde, a ton za pokretanje će zazvoniti, a zatim ući u ekran normalnog rada;

Kada je u zaključanom stanju, ekran će se isključiti ako ne pritisnete taster 30 sekundi; ekran ekrana povrat normalan prikaz ako se radi o bilo kojoj tasterskoj operaciji.



Ovaj hladnjak usvaja kontrolu na dodir staklenih vrata. Lagano dodirnite kada pritisnete tastere. Treba izbjegavati da oblast displeja bude ogrebana oštrim stvarima i treba ga držati dalje od okruženja visokog magnetnog polja i visoke vlažnosti. U suprotnom, hladnjak je moguće da se ne podesi i ne radi normalno.

Zaključavanje i otključavanje

U zaključanom stanju, dugo pritisnite taster (🔒) Zaključaj je rasterećen; oblast prikaza će treptati;

U otključanom stanju, dugo pritisnite taster (🔓) Zaključaj država;

Osim funkcije osvjetljenja, sljedeće funkcije će se obavljati u otključanom stanju.

Osvjetljenje

Pritisnite „taster za prekidač svjetla (💡)“ da biste uključili ili isključili svjetlo.

Prebacivanje temperature Farenhajta i temperature Celzijusa

Pritisnite „taster za povećanje temperature (⬆️)“ i „taster za smanjenje temperature (⬇️)“ u isto vrijeme da završite prebacivanje temperature Celzijusa i temperature Farenhajta; oblast displeja će prikazati podešenu temperaturu Farenhajta ili temperaturu Celzijusa u postojećem režimu.

Podešavanje temperature

Pritisnite „Taster za povećanje temperature (⬆️)“, temperatura će porasti za 1°C (ili °F). Nakon zaključavanja, hladnjak će raditi prema vrijednosti podešavanja;

Pritisnite „Taster za spuštanje temperature (⬇️)“, temperatura će se smanjiti za 1°C (ili °F). Nakon zaključavanja, hladnjak će raditi prema vrijednosti podešavanja.



Opseg podešavanja Celzijusove temperature: 5°C~18°C; opseg podešavanja temperature Farenhajta: 41°F-65°F.

Funkcija memorije

Hladnjak ima funkciju memorije za isključivanje. Nakon ponovnog uključivanja, hladnjak će raditi u skladu sa postavkom prije isključivanja.

Indikacija greške

Ako je indikacija sljedeće tabele prikazana na displeju, to znači da je hladnjak neispravan.

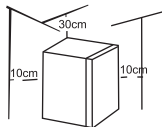
Kod greške	E1	E4
Opis	Senzor temperature hladnjaka za vino sa greškom	Greška senzora odmrzavanja hladnjaka za vino



Kada se gore navedeni kvarovi prikažu na ekranu, nemojte rastavljati hladnjak za vino da biste sami provjerili. Za održavanje obratite se specijalnom osoblju za održavanje lokalne kompanije za postprodajne usluge.

Postavljanje

- Prije upotrebe hladnjaka, uklonite sav materijal za pakovanje uključujući donje jastuke i penaste jastučice i trake unutar hladnjaka, otkinite zaštitni film na vratima i kućištu hladnjaka.
- Izbjegavajte direktnu sunčevu svjetlost i izvore toplote kao što su peć, radiator za grijanje itd.
- Hladnjak se postavlja u dobro provjetreno zatvoreno mjesto; podloga treba da bude ravna i čvrsta (rotirajte lijevo ili desno da podesite točak za nivelisanje ako je nestabilno).
- Gornji prostor hladnjaka treba da bude veći od 30 cm, a rastojanje sa obje strane i sa zadnje strane treba da bude veće od 10 cm da bi se olakšalo rasipanje toplote.
- Ovaj hladnjak treba da se instalira nezavisno i ne može se koristiti kao ugrađeni. Inače, to će izazvati probleme kao što je neuspjeh pri instalaciji u kabinet, performanse i život proizvod se smanjuje. I proizvođač ne pruža osnovnu garanciju za proizvod.

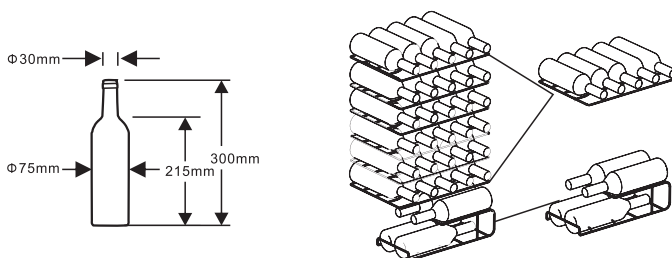


Počnite sa upotrebom

- Nakon transporta, ostavite hladnjak za vino da stoji duže od 2 sata prije nego što uključite struju, inače će to dovesti do smanjenja rashladnog kapaciteta ili oštećenja hladnjaka za vino. Hladnjak će ostati pola sata prije uključivanja struje kada se prvi put pokrene. Očistite unutrašnju komoru prije prve upotrebe.
- Izvucite dodatak u slučaju nestanka struje ili čišćenja. Ne priključujte hladnjak za vino na napajanje u roku od pet minuta da biste spriječili oštećenje kompresora uslijed uzastopnih pokretanja.
- U procesu rada kompresora, na zadnjem zidu rashladne komore će se formirati kapljice vode ili inje, što je normalna pojava. Poslije nekog vremena, mraz će se istopiti u vodu i teći u posudu za vodu da ispari.
- Nemojte povezivati hladnjak na elektronski štedljivi utikač i pretvarač koji može da konvertuje jednosmjernu struju u naizmjeničnu (npr.: solarni energetska sistem, brodska mreža).

Raspored boca

- Ne dozvolite da flaša dodiruje zadnju stranu hladnjaka za vino kako biste održali dobru cirkulaciju zraka u hladnjaku.
- Broj boca ovdje može da se razlikuje od broja boca u različitim oblicima i veličinama.
- Kapacitet za skladištenje boca u vinskom ormariću je zasnovan na sljedećoj označenoj veličini boce. Prevelike boce mogu uticati na broj flaša koje se čuvaju u vinskom ormariću.



Slika iznad je samo za referencu. Stvarna konfiguracija zavisiće od fizičkog proizvoda ili izjave distributera.

Praktične vještine za čuvanje vina od grožđa

- Ne čuvajte flaširano vino po kutijama ili kutijama u frižideru.
- Čep stare flaše uvijek mora biti natopljen vinom kada se stavlja u hladnjak za vino. Zračni prostor između vina i plute nije dozvoljen.
- Otvorena polica za flaše je korisna, jer ne prekida cirkulaciju zraka. Zračna vlaga koja se kondenzovala na boci može se brzo osušiti.
- Vino prije pijenja: na primjer, stavite ružičasto crno vino na sto 2-5 sati prije pijenja i crno vino 4-5 sati, a zatim može dostići odgovarajuću temp. Bijelo vino, naprotiv, može se poslužiti pravo na stolu. Šampanjac se uvijek čuva u hladnjaku i vadi samo prije pijenja.
- Imajte na umu da je temperatura vina uvijek niža od idealne temperature za serviranje, jer će temperatura odmah porasti za 1 do 2°C kada se sipa u čašu.

Temperatura serviranja

Ukus vina zavisi od odgovarajuće temperature točenja; stoga ii određuje njen ukus. Predlažemo da temperatura vina dostigne sljedeći stepen prilikom točenja:

Vrste vina	Temp. posluživanja
Bordo crvena	18°C
Louis Famili suho crveno vino/Barolo	17°C
Burgundska crvena/bordo crvena	16°C
Port	15°C
Young Burgundy red	14°C
Young red wine	12°C
Young Beaujolais/sva bela vina sa malo zaostalog šećera	11°C
Stara bela vina/Chardonnay	10°C
Sherry	9°C
Mlada bela vina iz kasne berbe	8°C
Bela vina Loire/Entre-deux-Mers	7°C

Saveti za uštedu energije

- Hladnjak treba postaviti u suhu i provjetrenu prostoriju. Hladnjak se ne smije stavljati na direktnu sunčevu svjetlost ili pored izvora toplote (kao što je radiator, šporet itd.), a po potrebi se postavlja odgovarajuća izolaciona ploča.
- Pokušajte da skratite vrijeme otvaranja vrata hladnjaka

ODRŽAVANJE HLADNJAKA ZA VINO

Isključite hladnjak za vino

Isključite utikač za napajanje da biste isključili hladnjak.

Prestanite da koristite hladnjak za vino

Ako se hladnjak ne koristi duže vrijeme, molimo:

1. Isključite hladnjak;
2. Očistite hladnjak;
3. Držite vrata hladnjaka otvorena.

Očistite hladnjak za vino

- Prašina iza hladnjaka za vino i na tlu se blagovremeno čisti kako bi se poboljšao efekat hlađenja i ušteda energije.
- Redovno provjeravajte zaptivku vrata da biste bili sigurni da nema ostataka. Očistite zaptivku vrata mekanom krpom navlaženom vodom sa sapunom ili razblaženim deterdžentom.
- Unutrašnjost hladnjaka za vino treba redovno čistiti kako bi se izbjegao miris.
- Isključite napajanje prije čišćenja, uklonite piće, police itd.
- Unutrašnjost hladnjaka za vino očistite mekanom krpom ili spužvom, sa dvije kašike sode bikarbone i litrom tople vode. Zatim isperite vodom i osušite mekanom krpom. Nakon čišćenja, otvorite vrata i pustite da se prirodno osuše prije nego što uključite napajanje.
- Za područja koja se teško čiste u hladnjaku za vino (kao što su uski sendviči, praznine ili uglovi), preporučuje se redovno brisanje mekanom krpom, mekanom četkom i sl., a kada je potrebno, u kombinaciji sa nekim pomoćnim alatima (kao što su tanki štapići) kako bi se osiguralo da nema zagađivača ili akumulacije bakterija u ovim oblastima.
- Nemojte koristiti sapune, deterdžente, sredstva za čišćenje u spreju itd. za čišćenje unutrašnjosti vašeg hladnjaka jer oni mogu stvoriti mirise ili kontaminaciju.
- Očistite police mekanom krpom navlaženom vodom sa sapunom ili razblaženim deterdžentom. Zatim isperite vodom i osušite mekanom krpom ili osušite prirodnim putem.
- Drveni stalak za vino ne bi trebalo da bude direktno uronjen u tečnost da bi se spriječilo pucanje ili bud nakon vlage. Drveni stalak za vino se čisti suhom mekanom krpom. Jako kontaminirani drveni stalak za vino treba očistiti mekanom krpom koja je iscjeđena i osušena na prirodan način.
- Spoljnu površinu hladnjaka za vino obrišite mekanom krpom navlaženom vodom sa sapunom, deterdžentom itd., a zatim obrišite suhom. Nemojte trljati ili grebati površinu staklenih vrata kako biste spriječili lomljenje ili grebanje vrata.
- Nemojte koristiti čvrste četke, čiste čelične kuglice, žičane četke, abrazive (kao što je pasta za zube), organske rastvarače (kao što su alkohol, aceton, ulje banane, itd.), ključalu vodu, kiselinu ili alkalne predmete, koji mogu oštetiti vino hladnija površina i unutrašnjost. Kipuća voda i organski rastvarači kao što je benzol mogu deformisati ili oštetiti plastične dijelove.
- Nemojte ispirati direktno vodom ili drugim tečnostima tokom čišćenja da biste izbjegli kratke spojeve ili uticali na električnu izolaciju nakon potapanja. Voda ne bi trebalo da natopi upravljačke elemente rada i sistem osvjetljenja u staklenim vratima.

Napomena:

Nemojte koristiti deterdžent i rastvarač sa pjeskom ili kiselinom.

RJEŠAVANJE PROBLEMA

Ne radi	Da li je hladnjak priključen i priključen na napajanje; Niski napon; Da li je dugme za kontrolu temperature u radnom području; Kvar napajanja ili kola za okidanje.
Dugotrajan rad kompresora	Normalno, hladnjak radi duže vrijeme ljeti kada je temperatura okoline viša; Nemojte stavljati previše pića u hladnjak odjednom; Često otvaranje vrata hladnjaka.
Svjetlo ne radi	Da li je hladnjak priključen na napajanje, da li je indikatorna lampica oštećena.
Glasi zvukovi	Da li je pod ravan, da li je postavljanje hladnjaka stabilno; Da li su dodaci hladnjaka pravilno postavljeni.
Pregrijavanje na bočnom zidu Površinska kondenzacija	Kućiče hladnjaka može da emituje toplotu tokom rada, posebno ljeti, što je uzrokovano zračenjem kondenzatora i to je normalna pojava. Kondenzacija: pojava kondenzacije će se detektovati na spoljašnjoj površini i zaptivkama vrata hladnjaka kada je vlažnost okoline visoka, ovo je normalna pojava, a nakon brisanja peškirom, pravilno povećava podešenu temperaturu uređaja.
Zvuk protoka zraka Zujanje Zveckanje	Rashladni fluidi koji cirkulišu u cjevovodima za rashladno sredstvo će proizvesti erupciju zvuka i hroptanja, što je normalno, ne utiče na efekat hlađenja. Zujanje će se generisati pokretanjem kompresora, posebno kada se pokreće ili gasi. Elektromagnetni ventil ili električni prekidač će zveckati što je normalna pojava i ne utiče na rad.

Upozorenja za odlaganje



Rashladno sredstvo i ciklopentan pjenušavi materijal koji se koristi za hladnjak za vino je zapaljiv. Zbog toga, kada se hladnjak za vino rashodi, ii treba da se drži dalje od bilo kakvog izvora vatre i da ga obnovi posebna kompanija za oporavak sa odgovarajućom kvalifikacijom osim da se odlaze sagorijevanjem, kako bi se spriječila šteta po životnu sredinu ili bilo koja druga šteta.



Kada je hladnjak za vino napušten, uklonite vrata hladnjaka za vino, kada skidate kućište vrata, obratite pažnju da spriječite štipanje ruku i uklonite zaptivku vrata i police, postavite vrata i police u odgovarajući položaj, tako da djeca neće ući da igra i ima nesreću.



Pravilno odlaganje ovog proizvoda:

Ova oznaka ukazuje da ovaj proizvod ne treba odlagati sa drugim kućnim otpadom. Da biste spriječili moguću štetu po životnu sredinu ili ljudsko zdravlje uslijed nekontrolisanog odlaganja otpada, odgovorno ga reciklirajte kako biste promovisali održivu ponovnu upotrebu materijalnih resursa. Da biste vratili svoj polovni uređaj, koristite sisteme za vraćanje i prikupljanje ili kontaktirajte prodavca kod koga je proizvod kupljen. Oni mogu odnijeti ovaj proizvod za ekološki bezbijedno recikliranje.

List sa informacijama o proizvodu

DELEGIRANA UREDBA KOMISIJE (EU) 2019/2016

Naziv ili zaštitni znak dobavljača: Tesla

Adresa dobavljača: Džemala Bijedića 179, Sarajevo, Bosnia and Herzegovina

Identifikaciona oznaka modela: RW092M

Tip uređaja za rashlađivanje:

Uređaj sa niskim nivoom buke:	Ne	Tip dizajna:	Samostojeći
Uređaj za čuvanje vina:	Da	Ostali uređaji za rashlađivanje:	Ne

Opći parametri proizvoda:

Parameter	Vrijednost	Parameter	Vrijednost
Ukupne dimenzije (u milimetrima)	Visina	Ukupna zapremina (dm ³ ili l)	93
	Širina		
	Dubina		
Indeks energetske efikasnosti – EEI	178	Klasa energetske efikasnosti	G
Emisija buke u zraku (dB(A) re 1 pW)	40	Klasa emisije buke u zraku	C
Godišnja potrošnja energije (kWh/a)	145	Klimatska klasa:	Proširena umjerena, umjerena, tropska
Minimalna ambijentalna temperatura (°C), koja je odgovarajuća za ovaj uređaj za rashlađivanje	10	Maksimalna ambijentalna temperatura (°C), koja je odgovarajuća za ovaj uređaj za rashlađivanje	38
Podešavanja za zimu	Ne		
Parametri odjeljaka:			
Tip odjeljka	Parametri i vrijednosti odjeljka		

		Zapremina odjeljka (dm ³ ili l)	Preporučeno podešavanje temperature za optimizovano čuvanje hrane (°C) Ova podešavanja ne smiju biti u suprotnosti sa uslovima čuvanja definisanim u Aneksu IV, tabela 3	Kapacitet zamrzavanja (kg/24h)	Tip otapanja (automatsko otapanje=A, manuelno otapanje=M)
Ostava	Ne	-	-	-	-
Ostava za vino	Ne	93	-	-	A
Podrum	Ne	-	-	-	-
Svježa hrana	Da	-	-	-	-
Rashlađivanje	Ne	-	-	-	-

Page 1 / 2

0 zvjezdica ili pravljenje leda	Ne	-	-	-	-
1 zvjezdica	Ne	-	-	-	-
2 zvjezdice	Ne	-	-	-	-
3 zvjezdice	Ne	-	-	-	-
4 zvjezdice	Ne	-	-	-	-
Odjeljak sa 2 zvjezdice	Ne	-	-	-	-
Odjeljak sa varijabilnom temperaturom	-	-	-	-	-

Parametri za vinskiju vitrinu

Broj standardnih vinskih flaša 34

Parametri izvora osvjetljenja:

Tip izvora osvjetljenja LED

Klasa energetske efikasnosti -

Minimalno trajanje garancije koju daje proizvođač: 24 mjeseca**Dodatne informacije:**

Link ka veb-sajtu proizvođača gdje se mogu pronaći informacije iz tačke 4(a) Aneksa Uredbe Komisije (EU) 2019/2019: tesla.info

Page 2 / 2

ПРЕДУПРЕЖДЕНИЯ ЗА БЕЗОПАСНОСТ

ПРЕПОРЪКИ:

- Този уред е предназначен за битова употреба и подобни приложения, като кухненски помещения за персонала в магазини, офиси и други професионални помещения; селскостопански къщи и от клиенти в хотели, мотели и други помещения, предназначени за временно пребиваване; - места, които предоставят услуга нощувка със закуска; кетъринг и подобни нетърговски приложения.
- Този уред не е предназначен за употреба от лица (включително деца) с намалени физически, сетивни или умствени способности или липса на опит и познания, освен ако те не са под надзор или не са им били дадени инструкции преди това по отношение на използването на уреда от лице, което да е отговорно за тяхната безопасност
- Децата трябва да бъдат наблюдавани, за да се уверите, че те не си играят с уреда.
- Ако захранващият кабел е повреден, той трябва да бъде заменен от производителя, негов сервизен агент или от лица с подобна квалификация, за да се избегне опасност.
- Не съхранявайте взривоопасни вещества, като аерозолни опаковки със запалими газове в това устройство.
- Уредът трябва да бъде изключван от контакта когато не е в употреба и преди извършване на поддръжка на уреда от потребителя.
- Пазете вентилационните отвори в корпуса на уреда или вградената конструкция от запушване или покриване.
- Не използвайте механични устройства или други устройства, за да ускорите процеса на размразяване, различни от тези, препоръчани от производителя на устройството.
- Внимавайте да не повредите охладителната система.
- Не използвайте електрически уреди във вътрешността на отделенията за съхранение на храна, освен ако те не са от типа, препоръчан от производителя.
- Моля, отстранявайте охладителя за вино от употреба в съответствие с местните разпоредби, тъй като той съдържа запалим газ и хладилен агент
- Когато монтирате устройството, уверете се, че нищо не притиска захранващия кабел и той не е повреден.
- Не поставяйте няколко преносими разклонители или преносими захранващи устройства зад устройството.
- Не използвайте удължаващи кабели или незаземени (с два щифта) адаптера.
- Опасност от заклеждане на деца. Преди да отстраните от употреба стария си хладилник или фризер:
 - Отстранете вратите.
 - Оставете рафтовете на място, така че децата да не могат да влязат лесно вътре.
- Хладилникът трябва да бъде изключен от източника на електрическо захранване, преди да се опитате да монтирате аксесоар.
- Хладилният агент и циклопентановият разпенващ агент, използвани в охладителя за вино, са запалими. Следователно, когато охладителят за вино се отстранява от употреба, той трябва да се държи далеч от източници на пожар и да бъде рециклиран от специализирано дружество за рециклиране със съответна квалификация, различно от отстраняване от употреба чрез изгаряне, за да се предотврати увреждане на околната среда или каквато и да е друга вреда.
- За врати и капаци, оборудвани с ключалки и ключове, е необходимо да държите споменатите ключове на място, недостъпно за деца, и никога в близост до хладилника, за да се предотврати заключването на децата вътре в устройството.
- Този уред може да се използва от деца на възраст от 8 и повече години и лица с намалени физически, сетивни или психически способности или с недостатъчно опит и познания, ако те са под наблюдение или са инструктирани относно използването на уреда по безопасен начин и осъзнават опасностите, свързани неговата експлоатация. Децата не трябва да си играят с уреда. Почистването и поддръжката не следва да се извършват от деца без надзор. Деца на възраст между 3
- и 8 години може да поставят предмети и да вземат предмети от този уред.
- За свободностоящ уред: този хладилен уред не е предназначен да се използва като вграден уред.
- За уреди за съхранение на вино: този уред е предназначен изключително за съхранение на вино.
- Всяка подмяна или поддръжка на светодиодните лампи е предвидено да бъде извършва от производителя, неговия оторизиран сервизен център или подобно квалифицирано лице.

Значение на предупредителните символи за безопасност



Това е символ за забрана. Всяко неспазване на инструкциите, маркирани с този символ, може да доведе до повреда на уреда или да застраши личната безопасност на потребителя.



Това е символ за предупреждение. Необходимо е да се работи при стриктно спазване на инструкциите, отбелязани с този символ; или по друг начин може да причини повреда на уреда или нараняване.



Това е символ за внимание. Инструкциите, маркирани с този символ, изискват специално внимание. Недостатъчното внимание може да доведе до леко или умерено нараняване или повреда на изделието.

Това ръководство съдържа много важна информация за безопасност, която потребителите трябва да спазват.

Предупреждения относно електричеството

- Не издърпайте захранващия кабел, когато изваждате щепсела, за да изключите охладителя за вино. Хванете здраво щепсела и го извадете директно от контакта.
- За да осигурите безопасност по време на употреба, не повреждайте захранващия кабел при никакви обстоятелства и не използвайте устройството, ако захранващият кабел е повреден или щепселът е износен.
- Износеният или повреден захранващ кабел трябва да бъде заменен в оторизирани от производителя сервиси за техническо обслужване.
- Щепселът на захранващия кабел трябва да бъде здраво свързан с контакта, в противен случай може да възникне пожар. Уверете се, че заземяващият електрод на захранващия контакт е снабден с надеждна заземяваща линия.
- В случай на изтичане на газ, изключете вентила на изтичащия газ, след което отворете вратите и прозорците. Не се опитвайте да изключвате охладителя или други електрически уреди от електрическата мрежа, тъй като искрите могат да причинят пожар.
- За да се гарантира безопасността, не се препоръчва да поставяте контакти, уреди за готвене на ориз, микровълнови печки и други уреди върху горната част на охладителя за вино, освен такива, препоръчани от производителя. Не използвайте електрически уреди в килера за провизии.

Предупреждения при употреба

- Не разглобявайте или реконструирайте произволно охладителя за вино не повреждайте хладилната система; поддръжката на устройството трябва да се извършва от специалист
- Захранващият кабел трябва да бъде подменен от производителя, негов сервиз за поддръжка или лице със съответната квалификация, така че да се избегне опасност.
- Разстоянията между вратата на охладителя за вино и корпуса на охладителя са малки, имайте предвид да не поставяте ръцете си в тези зони, за да предотвратите притискането на пръсти. Бъдете внимателни, когато затваряте или отваряте вратата на охладителя за вино, за да избегнете падането на предмети.
- Не давайте на децата да си играят с опаковката и други елементи на уреда. Опаковъчните материали и пластмасовото фолио могат да доведат до задушаване! Не позволявайте на децата да влизат или да се катеря по охладителя за вино, за да предотвратите затварянето на деца във охладителя или възможността децата да бъдат наранени от падащия охладител.
- Не пръскайте и не мийте охладителя за вино с вода; не поставяйте охладителя за вино на влажни места, където той лесно ще влезе в контакт с вода, това може да повлияе неблагоприятно на електрическата изолация на охладителя за вино.
- Не използвайте корпуса на охладителя, вратата на охладителя и др. като степенка или опора.
- Не поставяйте тежки предмети върху част на охладителя за вино, като се има предвид, че те могат да паднат при отваряне или затваряне на вратата и могат да причинят случайни наранявания.

Предупреждения, свързани с поставянето на предмети

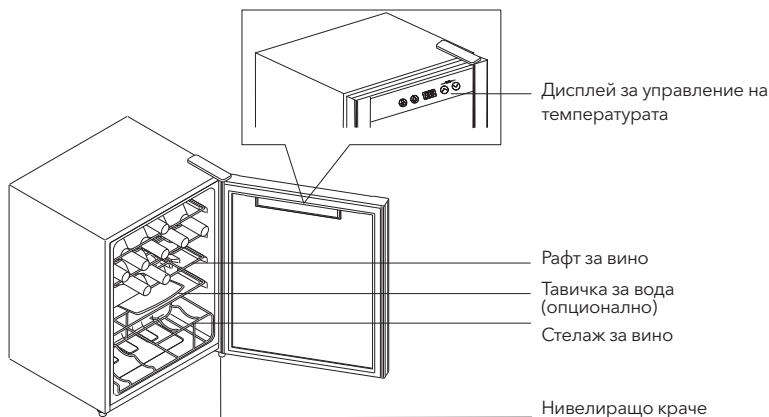
- Не поставяйте запалими, експлозивни, летливи и силно корозивни вещества в охладителя за вино, за да предотвратите повреда на продукта или инцидентен пожар.
- Не поставяйте запалими предмети близо до охладителя за вино, за да избегнете възникването на пожар.
- Този уред е битов охладител за вино и това оборудване може да се използва само за съхранение на вино. Съгласно стандартните изисквания, битовият охладител не трябва да се използва за други цели, като съхранение на кръв, лекарства или биологични продукти.

Предупреждения относно енергоспестяването

1. Охладителят за вино може да не работи равномерно, ако се съхранява дълго време при температури под най-ниската стойност на температурните диапазони, за които е проектиран.
2. Необходимо е да не се превишава времето(времената) за съхранение, препоръчано(и) от производителите на вино за всеки вид вино.
3. Необходими са предпазни мерки за предотвратяване на неоправдано повишаване на температурата на виното при размразяване на охладителя за вино.
4. Повишаването на температурата на виното по време на ръчно размразяване, действия по поддръжка или почистване, може да съкрати срока на годност на продуктите.

ПРАВИЛНО ИЗПОЛЗВАНЕ НА ОХЛАДИТЕЛЯ ЗА ВИНО

Имена на компонентите



Изображенията са само с илюстративна цел. Действителната конфигурация ще зависи от конкретния продукт или изявлението на дистрибутора)

- Препоръчителната температура е 12°C; моля, дръжте стелаж за вино в оригиналното му състояние.
- Вътрешната влажност на отделението за съхранение на вино варира от 50% до 80%. (За ЕС)
- Температурата в охладителя за вино е 5-18°C, използва се само за съхранение на неотворено бутилирано вино (червено вино, бяло вино, вино розе).
- Не поставяйте храна в охладителя за вино, за да предотвратите бактериално замърсяване.
- Поддържайте суха вътрешността на охладителя за вино, консумирайте бутилираното вино в срока на годност.

Управление на температурата



Изображенията са само с илюстративна цел. Действителната конфигурация ще зависи от конкретния продукт или изявлението на дистрибутора)

Дисплей за управление

Когато включите охладителя за вино за 1-ви път, екранът на дисплея ще се визуализира изцяло за 3 секунди и ще прозвучи звуков сигнал за стартиране, а след това дисплеят ще влезе в режим на нормална работа;

Когато е в заключено състояние, екранът на дисплея ще се изключи, ако не бъде натиснат бутон в продължение на 30 секунди; екранът на дисплея възстановява нормалния си вид, ако бъде натиснат някой бутон.



Този охладител използва сензорното управление от стъклената врата. Докосвайте леко при натискането на бутоните. Трябва да пазите зоната А на дисплея на панела да бъде надраскана от остри предмети и уредът да не бъде поставян в среда с високо магнитно поле и висока влажност. В противен случай е възможно охладителят да не бъде настроен правилно и няма да може да работи нормално.

Заклучване и отключване

В заключено състояние, натиснете бутона „Заклучване (🔒)“ за 3 секунди, заключването ще бъде дезактивирано; областта на дисплея ще мига;

В отключено състояние, натиснете продължително бутона „Заклучване (🔒)“ за 3 секунди, за да заключите уреда;

С изключение на функцията за осветление, в отключено състояние ще се изпълняват следните функции. Осветление

Натиснете бутона „light switch key (💡)“ (бутон за осветление), за да включите или изключите светлината.

Превключване на показанията за температурата по Фаренхайт и по Целзий

Натиснете едновременно бутона за повишаване на температурата (⬆️) и бутона за понижаване на температурата (⬆️), за да промените показанията за температура по Целзий и температура по Фаренхайт; зоната на дисплея ще покаже настройката на температура в Фаренхайт или Целзий в текущия режим.

Настройка на температурата

Натиснете бутона „Повишаване на температурата (⬆️)“, температурата ще се увеличи с 1°C (или °F). След заключването, охладителят ще работи в съответствие със стойността на настройката;



Диапазон на настройка на температурата по Целзий: 5°C~18°C ; диапазон на настройка на температурата по Фаренхайт: 41°F-65°F.

Функция запаметяване

Охладителят има функция за памет в случай на изключване на електрозахранването. След възстановяване на захранването, охладителят ще се включи и ще работи съгласно настройката, зададена преди изключването.

Индикатор за неизправност

Ако индикаторите в таблицата по-долу се появят на екрана на дисплея, това означава, че охладителят е повреден.

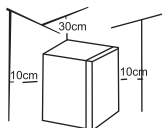
Код на грешка	E1	E4
Описание	Сензорът за температура на охладителя за вино е повреден	Сензорът за размразяване на охладителя за вино е повреден



Когато на екрана се покажат горепосочените грешки, не се опитвайте да разглобявате охладителя за вино, за да проверите сами. Моля, свържете се със специализирания персонал за поддръжка на местното дружество за следпродажбено обслужване.

Първоначална употреба

- Преди да използвате охладителя за вино, отстранете всички опаковъчни материали, включително долните уплътнения и подложки от пяна и опаковъчното тиксо, отлепете защитното фолио на вратата и корпуса на охладителя.
- Избягвайте пряката слънчева светлина и източници на топлина като печки, радиатори за отопление и др.
- Охладителят за вино трябва да бъде поставен на добре проветриво място на закрито; повърхността трябва да е равна и твърда (ако уредът е нестабилен, завъртете нивелиращото краче наляво или надясно, за да го регулирате).
- Над горната повърхност на фризера трябва да се остави пространство от 30 cm, а разстоянията от двете страни и отзад трябва да са повече от 10 cm, за да се улесни процеса на разсейване на топлината.
- Този охладител трябва да бъде монтиран като свободностоящ и не може да се използва като вграден уред. В противен случай това ще доведе до проблеми като неизправност при монтиране в шкафа, намалена ефективност и експлоатационен живот. И производителят не предоставя основна гаранция за уреда.

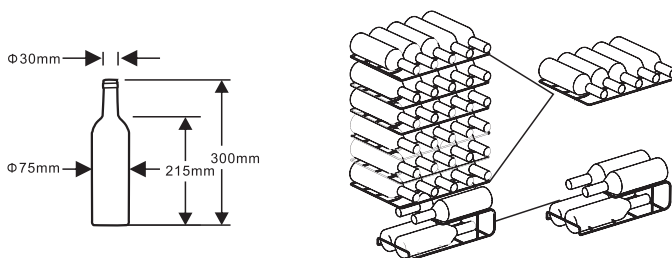


Първоначална употреба

- След транспортирането, оставете охладителя за вино да престои поне 2 часа, преди да включите захранването, в противен случай това ще доведе до намаляване на охлаждащия капацитет или повреда на охладителя за вино. Преди първото пускане, охладителят за вино трябва да остане неподвижен за половин час преди да включи захранването. Почистете вътрешната камера, преди да я използвате за първи път.
- Изваждайте щепсела в случай на прекъсване на електрозахранването или при почистване. Не свързвайте отново охладителя за вино към захранването за период от пет минути, за да предотвратите повреда на компресора, причинена от многократно стартиране на уреда.
- В процеса на работа на компресора върху задната стена на хладилното отделение ще се образуват водни капчици или скреж, което е нормално явление. След определен период от време, скрежът ще се разтопи до вода и ще изтече в тавата за вода, за да се изпари.
- Не свързвайте охладителя към електронен енергоспестяващ контакт и преобразувател, който може да преобразува постоянен ток в променлив ток (напр.: соларна енергийна система, корабна мрежа).

Подреждане на бутилките

- Не допускайте бутилките да докосват задната част на охладителя за вино, за да има възможност да се поддържа добра циркулация на въздуха в охладителя.
- Броят на бутилките, посочени в това ръководство може да се различава поради различните форми и размери на бутилките.
- Капацитетът за съхранение на бутилки в охладителя за вино се базира на следните стандартни бутилки, налични на пазара. Бутилки с по-голям размер ще намалят броя на бутилките, съхранявани в охладителя за вино.



Изображенията са само с илюстративна цел. Действителната конфигурация ще зависи от конкретния продукт или изявиението на дистрибутора)

Практически умения за съхранение на вино от грозде

- Не съхранявайте бутилирано вино в кутия или в хладилник.
- Корковата тапа на старата бутилка винаги трябва да се овлажнява във виното, преди да бъде поставена в охладителя. Не трябва да има въздух между виното и корковата тапа.
- Рафтът за бутилки от отворен тип е полезен, тъй като не пречи на циркулацията на въздуха. Влагата от въздуха, която се кондензира върху бутилката е добре да се избърше бързо.
- Преди да консумирате виното: Сервирайте розе или полусухо червено вино на масата 2-5 часа преди хранене, а червено вино 4-5 часа, за да може да достигне подходяща температура за сервиране. Бялото вино, от друга страна, може да се сервира директно на масата. Шампанското винаги трябва да се съхранява в охладителя и да се сервира непосредствено преди консумацията му.
- Имайте предвид, че температурата на виното винаги при сервирането трябва да е по-ниска от идеалната температура за сервиране, тъй като температурата веднага ще се повиши с 1 до 2°C, когато се налее в чашата.

Температура на сервиране

Вкусът на виното зависи от правилната температура на наливане; следователно това определя вкуса му. Препоръчваме следните температури при наливане на виното:

Видове вина	Температура на сервиране
Бордо червено	18°C
Сухо червено вино Louis Family/Barolo	17°C
Бургундско червено/Бордо червено	16°C
Портвайн	15°C
Младо бургундско червено	14°C
Младо червено вино	12°C

Видове вина	Температура на сервиране
Младо Божоле/всички бели вина с малко остатъчна захар	11°C
Отлежали бели вина/Шардоне	10°C
Шери	9°C
Млади бели вина от късна реколта	8°C
Бели вина от региона на Loire/Entre-deux-Mers	7°C

Съвети за спестяване на енергия

- Охладителят за вино трябва да се постави в сухо и проветриво помещение. Охладителят не трябва да се излага на пряка слънчева светлина или да бъде поставян до източник на топлина (като радиатор, печка и т.н.), в случай на необходимост трябва да се постави подходяща изолационна плоскост.
- Опитайте се да отваряте вратата на охладителя възможно най-рядко.

ПОДДРЪЖКА НА ОХЛАДИТЕЛЯ ЗА ВИНО

Изключете охладителя за вино от електрическата мрежа

Издърпайте щепсела, за да изключите охладителя от електрическата мрежа.

Спрете да използвате охладителя за вино

Ако охладителя за вино не се използва продължително време

1. Изключете охладителя от електрическата мрежа;
2. Почистете охладителя;
3. Оставете вратата на хладилника отворена.

Почистете охладителя за вино

- За да подобрите охлаждащата функция и спестяването на енергия, редовно почиствайте праха зад охладителя за вино и от основата.
- Проверявайте редовно уплътнението на вратата, за да се уверите, че върху него няма замърсявания. Почиствайте уплътнението на вратата с мека кърпа, потопена в сапунена вода или разреден препарат.
- Втрешността на охладителя трябва да се почиства редовно, за да се избегне появата на неприятна миризма.
- Преди да почистите втрешността на охладителя за вино, изключете го и извадете всички напитки, рафтове и др.
- Използвайте мека кърпа или гъба, за да почистите втрешността на охладителя за вино, с две супени лъжици сода за хляб в четвърт литър топла вода. След това изплакнете с вода и подсушете с мека кърпа. След почистване отворете вратата и я оставете да изсъхне естествено, преди да включите електрозахранването.
- За почистване на труднодостъпни части на охладителя за вино (като тесни отвори, прорези или ъгли) се препоръчва да се избърсват редовно с мека кърпа, мека четка и др., ако е необходимо в комбинация с някои помощни инструменти (като като тънки пръчици), за да се предотврати натрупването на замърсяване и бактерии.
- Не използвайте сапуни, никакви почистващи препарати под формата на спрей и др., за да почистите втрешността на охладителя, тъй като те могат да създадат миризми или замърсяване.
- Почиствайте рафтовете с мека кърпа, потопена в сапунена вода или разреден препарат. След това изплакнете с вода и подсушете с мека кърпа или оставете да изсъхне по естествен път.
- Дървената поставка за вино не трябва да се потапя директно в течност, за да се предотврати напукване или поява на мухъл след навлажняването. Дървената поставка за вино се почиства

със суха мека кърпа. Ако дървена поставка за вино е силно замърсена, тя трябва да се почисти с добре изцедена мека кърпа и да се изсуши естествено.

- Избършете външната повърхност на охладителя за вино с мека кърпа, напоена със сапунена вода, почистващ препарат и др. и след това го изсушете с кърпа. Не търкайте с абразивни материали повърхността на стъклената врата, за да предотвратите счупване или надраскване на вратата.
- Не използвайте твърди четки, почистващи гъби от стоманена тел, телени четки, абразиви (като паста за зъби), органични разтворители (като алкохол, ацетон, бананово масло и др.), вряща вода, киселинни или алкални агенти при почистване на охладителя за вино, тъй като тези агенти могат да повредят повърхностите и вътрешността на охладителя за вино. Врящата вода и органичните разтворители, като бензен, могат да деформират или повредят пластмасовите части.
- По време на почистването не изплаквайте повърхностите директно с вода или други течности, за да избегнете късо съединение или повреда на електроизолационните материали. Елементите за управление и осветителната система в стъклената врата не трябва да бъдат мокрени с вода и други течности.

Бележка:

Не използвайте абразивни почистващи препарати, разтворители или киселина.

ОТСТРАНЯВАНЕ НА НЕИЗПРАВНОСТИ

Уредът не работи	Независимо дали охладителят за вино е включен и свързан към захранването; Ниско напрежение; Проверете дали копчето за контрол на температурата е в работната зона; Неизправност на захранването или изключващата верига
Дълготрайна работа на компресора	Нормално е охладителят за вино да работи по-дълго през лятото, когато външната температура е по-висока; Не поставяйте твърде много напитки в охладителя наведнъж; Често отваряне на вратата на охладителя.
Осветлението не работи	Проверете дали охладителят за вино е свързан към електрозахранването и дали осветителната лампа не е повредена
Силен шум	Проверете дали подът е равен, дали поставянето на охладителя за вино е стабилно; Дали аксесоарите в охладителя са поставени правилно.
Прегряване на страничната стена Образуване на повърхностна кондензация	По време на работа, особено през летните месеци, корпусът на охладителя за вино може да излъчва топлина, генерирана от излъчването на кондензатора, което е често срещано явление. Конденз: образуването на конденз по външните повърхности и уплътненията на вратата на хладилника е нормално явление, когато концентрацията на влага в помещението е твърде високо, избършете с мека кърпа.
Звук от въздушния поток Бръмчене Тракане	Хладилните агенти, циркулиращи в хладилната верига, ще предизвикат поява на звук и бръмчене, което е нормално, не засяга охлаждащия ефект. Бръмчене: По време на работа компресорът ще бръмчи, особено когато при включване или изключване. Електромагнитният клапан или електрическият превключващ вентил ще тракат, което е нормално явление и не засяга работата.

Предупреждение за отстраняване от употреба



Хладилният агент и циклопентановият разпенващ агент, използвани в охладителя за вино, са запалими. Следователно, когато охладителят за вино се отстранява от употреба, той трябва да се държи далеч от източници на пожар и да бъде рециклиран от специализирано дружество за рециклиране със съответна квалификация, различно от отстраняване от употреба чрез изгаряне, за да се предотврати увреждане на околната среда или каквато и да е друга вреда.



Когато охладителят за вино бъде отстранен от употреба, свалете вратата на охладителя за вино. Когато сваляте вратата, внимавайте да предотвратите прищипване на ръцете и отстранете уплътнението на вратата и рафтовете, поставете вратата и рафтовете в подходящо положение, така че деца да не могат да влязат да си играят и да претърпят злополука.



Правилно отстраняване от употреба на този продукт:

Тази маркировка показва, че този продукт не трябва да се изхвърля заедно с други битови отпадъци. За да предотвратите възможни щети върху околната среда или човешкото здраве поради неконтролираното изхвърляне на отпадъци, рециклирайте ги отговорно, за да насърчите устойчивото повторно използване на материалните ресурси. За да върнете използваното устройство, използвайте системата за връщане и събиране или се свържете с търговеца, от когото сте закупили продукта. Те могат да вземат от Вас този продукт и да го рециклират безопасно.

Продуктов информационен лист

ДЕЛЕГИРАН РЕГЛАМЕНТ (ЕС) 2019/2016 НА КОМИСИЯТА по отношение на енергийното етикетирание на хладилни уреди

Име или търговска марка на доставчика: Tesla

Адрес на доставчика: Tesla Electronics, Litjaska 47, 1000 Ljubljana, SI

Идентификатор на модела: RW092M

Тип хладилен уред:

Уред с ниско ниво на шума:	Не	Тип конструкция:	свободностоящ
Охладител за вино:	Да	Други хладилни уреди:	Не

Общи параметри на продукта:

Параметър	Стойност	Параметър	Стойност
Общи размери (милиметри)	Височина	845	Общ обем (dm ³ или l)
	Ширина	470	
	Дълбочина	470	
ИЕЕ	178	Клас на енергийна ефективност	G
Излъчван въздушен шум (dB(A) при нулево ниво 1 pW)	40	Клас по излъчван въздушен шум	C
Годишна консумация на енергия (kWh/год.)	145	Климатичен клас:	разширен умерен, умерен, субтропичен
Минимална околна температура (°C), за която хладилният уред е подходящ	10	Максимална околна температура (°C), за която хладилният уред е подходящ	38
Зимни настройки	Не		

Параметри на отделението:

Тип отделение	Параметри и стойности на отделението			
	Обем на отделението (dm ³ или l)	Препоръчителна температура за оптимално съхранение на хранителните продукти (°C) Тези настройки не трябва да противостоят	Капацитет на замразяване (kg/24h)	Defrosting type (auto-defrost=A, manual defrost=M)

			речат на условията за съхранение, определени в таблица 3 от приложение IV		
Трайни продукти	Не	-	-	-	-
Съхранение на вино	Да	93,0	-	-	M
Зимник	Не	-	-	-	-
Пресни храни	Не	-	-	-	-
Лесно развалящи се храни	Не	-	-	-	-
0 звезди или ледогенератор	Не	-	-	-	-
1 звезди	Не	-	-	-	-
2 звезди	Не	-	-	-	-
3 звезди	Не	-	-	-	-
4 звезди	Не	-	-	-	-
Секция 2 звезди	Не	-	-	-	-
Отделение с променлива температура	-	-	-	-	-
За охладители за вино					
Брой стандартни винени бутилки			34		
Параметри на светлинния източник:					
Тип на светлинния източник			LED		
Клас на енергийна ефективност			-		
Минимален срок на гаранцията, предложена от доставчика: 24 месеца					
Допълнителна информация:					
Връзка към уебсайта на производителя, където се намира информацията по точка 4, буква а) от приложение към Регламент (ЕС) 2019/2019 на Комисията: tesla.info					

ΠΡΟΕΙΔΟΠΟΙΗΣΕΙΣ ΑΣΦΑΛΕΙΑΣ

ΣΥΣΤΑΣΕΙΣ:

- Αυτή η συσκευή προορίζεται για χρήση σε οικιακές και παρόμοιες εφαρμογές, όπως στην κουζίνα προσωπικού σε καταστήματα, γραφεία και άλλα εργασιακά περιβάλλοντα, σε αγροτικές και από πελάτες σε ξενοδοχεία, μοτέλ και άλλους χώρους διαμονής, σε χώρους καταλυμάτων με πριινό, για σκοπούς τροφοδοσίας και σε παρόμοιες εφαρμογές μη λιανικής πώλησης.
- Αυτή η συσκευή δεν προορίζεται για χρήση από άτομα (συμπεριλαμβανομένων και των παιδιών) περιορισμένης σωματικής, αισθητηριακής ή νοητικής ικανότητας ή άτομα στερούμενα της κατάλληλης πείρας και γνώσης, παρά μόνο εφόσον βρίσκονται υπό επίβλεψη ή έχουν λάβει τις κατάλληλες οδηγίες για τη χρήση της συσκευής από άτομο υπεύθυνο για την ασφάλειά τους.
- Τα παιδιά θα πρέπει να επιβλέπονται, ώστε να διασφαλίζεται ότι δεν παίζουν με τη συσκευή.
- Αν το καλώδιο τροφοδοσίας έχει υποστεί ζημιά, πρέπει να αντικατασταθεί από τον κατασκευαστή, το συνεργείο σέρβις ή αντίστοιχα καταρτισμένα άτομα, προκειμένου να αποφευχθούν κίνδυνοι.
- ΜΗΝ αποθηκεύετε εκρηκτικές ουσίες, όπως δοχεία αεροζόλ με εύφλεκτο προωθητικό σε αυτήν τη συσκευή.
- Η συσκευή πρέπει να αποσυνδέεται από την πηγή τροφοδοσίας μετά από την χρήση και πριν από την εκτέλεση εργασιών συντήρησης από τον χρήστη.
- Διατηρήστε ελεύθερες τις οπές εξαερισμού που βρίσκονται στο περίβλημα της συσκευής ή στο ενσωματωμένο πλαίσιο αυτής απομακρύνοντας τυχόν εμπόδια.
- Μη χρησιμοποιείτε μηχανικές συσκευές ή οποιαδήποτε άλλα μέσα για να επιταχύνετε τη διαδικασία απόψυξης, εκτός από αυτά που συνιστώνται από τον κατασκευαστή.
- Μην προκαλείτε ζημιά στο κύκλωμα ψυκτικού υγρού.
- Μη χρησιμοποιείτε άλλες ηλεκτρικές συσκευές στο εσωτερικό των διαμερισμάτων αποθήκευσης τροφίμων της συσκευής, εκτός αν ανήκουν στα είδη των συσκευών που συνιστώνται από τον κατασκευαστή.
- Απορρίψτε το ψυγείο σύμφωνα με τους τοπικούς κανονισμούς, διότι περιέχει εύφλεκτο αέριο εμφύσησης και ψυκτικό
- Κατά την τοποθέτηση της συσκευής, βεβαιωθείτε ότι το καλώδιο τροφοδοσίας δεν έχει μαγκώσει ή υποστεί ζημιά.
- Μην τοποθετείτε φορητά πολύπριζα ή φορητά τροφοδοτικά στο πίσω μέρος της συσκευής.
- ΜΗ χρησιμοποιείτε καλώδια προέκτασης (μπαλαντέζες) ή προσαρμογείς δύο ακίδων χωρίς γείωση.
- Κίνδυνος εγκλωβισμού παιδιών. Προτού απορρίψετε το παλιό σας ψυγείο ή καταψύκτη:
 - Αφαιρέστε τις πόρτες.
- - Αφήστε τα ράφια στη θέση τους ούτως ώστε να μην είναι εύκολο για τα παιδιά να σκαρφαλώσουν στο εσωτερικό της συσκευής.
- Προτού επιχειρηθεί η εγκατάσταση οποιουδήποτε παρελκομένου, το ψυγείο πρέπει να αποσυνδεθεί από την πηγή ηλεκτρικής τροφοδοσίας.
- Το ψυκτικό και ο αφριστικός παράγοντας κυκλοπεντάνιο που χρησιμοποιούνται στο ψυγείο είναι εύφλεκτα υλικά. Επομένως, όταν το ψυγείο απορρίπτεται, θα πρέπει να απομονώνεται από οποιαδήποτε πηγή γυμνής φλόγας και να ανακυκλώνεται από ειδική εταιρεία ανακύκλωσης που φέρει κατάλληλη πιστοποίηση και όχι να καίγεται, έτσι ώστε να μην προκληθεί ζημιά στο περιβάλλον ή οποιαδήποτε άλλη βλάβη.
- Όσον αφορά τις πόρτες ή τα καπάκια της συσκευής που διαθέτουν κλειδαριά, τα κλειδιά πρέπει να φυλάσσονται μακριά από τα παιδιά και όχι κοντά σε αυτήν, προκειμένου να αποφευχθεί το ενδεχόμενο εγκλωβισμού των παιδιών στο εσωτερικό της συσκευής.
- Αυτή η συσκευή μπορεί να χρησιμοποιείται από παιδιά ηλικίας 8 ετών και άνω και από άτομα με μειωμένες σωματικές, αισθητηριακές ή διανοητικές ικανότητες ή άτομα που στερούνται την κατάλληλη εμπειρία και γνώση, εφόσον είναι υπό επίβλεψη ή τους έχουν δοθεί οδηγίες για τη χρήση της συσκευής με ασφαλή τρόπο και έχουν κατανοήσει τους κινδύνους που υπάρχουν. Τα παιδιά δεν επιτρέπεται να παίζουν με τη συσκευή. Ο καθαρισμός και οι εργασίες συντήρησης που αναλαμβάνονται από τον χρήστη δεν πρέπει να πραγματοποιούνται από παιδιά χωρίς την επίβλεψη ενηλίκων. Παιδιά ηλικίας από 3 έως 8 ετών επιτρέπεται να τοποθετούν τρόφιμα σε ψυκτικές συσκευές και να τα αφαιρούν από αυτές.
- Για ανεξάρτητη συσκευή: αυτή η συσκευή δεν προορίζεται για χρήση ως εντοιχίζομενη μονάδα.
- Για συσκευές αποθήκευσης κρασιού: αυτή η συσκευή προορίζεται για χρήση αποκλειστικά για την αποθήκευση κρασιού.
- Οποιαδήποτε εργασία αντικατάστασης ή συντήρησης των λαμπτήρων LED πρέπει να πραγματοποιείται από τον κατασκευαστή, τον αντιπρόσωπο σέρβις ή ομοίως εξειδικευμένο άτομο.

Ερμηνεία των συμβόλων προειδοποίησης σχετικά με την ασφάλεια



Αυτό είναι ένα σύμβολο απαγόρευσης. Τυχόν μη συμμόρφωση με τις οδηγίες που επισημαίνονται με αυτό το σύμβολο ενδέχεται να προκαλέσει βλάβη στο προϊόν ή να θέσει σε κίνδυνο η προσωπική ασφάλεια του χρήστη.



Αυτό είναι ένα σύμβολο προειδοποίησης. Η συσκευή πρέπει να λειτουργεί αυστηρά σύμφωνα με τις οδηγίες που επισημαίνονται με αυτό το σύμβολο, διαφορετικά ενδέχεται να προκληθεί ζημιά στο προϊόν ή τραυματισμός.



Αυτό είναι ένα σύμβολο επισήμανσης. Οι οδηγίες που επισημαίνονται με αυτό το σύμβολο απαιτούν ιδιαίτερη προσοχή. Η ανεπαρκής προσοχή μπορεί να οδηγήσει σε ελαφρύ ή μέτριο τραυματισμό ή ζημιά στο προϊόν.

Το παρόν εγχειρίδιο περιέχει πολλές σημαντικές πληροφορίες ασφαλείας που πρέπει να τηρούν οι χρήστες.

Προειδοποιήσεις σχετικά με την παροχή ηλεκτρικού ρεύματος

- Όταν βγάξετε το φως του ψύκτη κρασιού από την πρίζα, μην τραβάτε το καλώδιο τροφοδοσίας. Πιάστε γερά το φως και τραβήξτε το απευθείας για να το αφαιρέσετε από την πρίζα.
- Φροντίστε το καλώδιο τροφοδοσίας να μην υποστεί ζημιά, για να εξασφαλίσετε την ασφαλή χρήση της συσκευής. Μην το χρησιμοποιείτε αν έχει υποστεί ζημιά ή το φως έχει φθαρεί.
- Αν το καλώδιο τροφοδοσίας είναι φθαρμένο ή κατεστραμμένο, πρέπει να αντικατασταθεί σε κέντρο συντήρησης εξουσιοδοτημένο από τον κατασκευαστή.
- Το καλώδιο τροφοδοσίας πρέπει να εισαχθεί καλά στην πρίζα, ειδάλως μπορεί να προκληθεί πυρκαγιά. Βεβαιωθείτε ότι ο ακροδέκτης γείωσης της πρίζας είναι συνδεδεμένος με αξιόπιστη γραμμή γείωσης.
- Σε περίπτωση διαρροής αερίων και άλλων εύφλεκτων αερίων, κλείστε τη βαλβίδα του διαρρέοντος αερίου και στη συνέχεια ανοίξτε τις πόρτες και τα παράθυρα. Μην αποσυνδέσετε τον ψύκτη και άλλες ηλεκτρικές συσκευές από την πρίζα, αφού η σπίθα μπορεί να προκαλέσει πυρκαγιά.
- Για εγγυημένη ασφάλεια συνιστάται να μην τοποθετείτε πρίζες, ρυθμιστές, βραστήρες ρυζιού, φούρνους μικροκυμάτων και άλλες συσκευές στο επάνω μέρος του ψύκτη κρασιού, με εξαίρεση εκείνες που συνιστώνται από τον κατασκευαστή. Μην χρησιμοποιείτε ηλεκτρικές συσκευές στα ράφια τροφίμων.

Προειδοποιήσεις σχετικά με τη χρήση

- Μην αποσυναρμολογείτε ή ανακατασκευάζετε τον ψύκτη κρασιού αυθαίρετα και μην προκαλείτε ζημιά στο κύκλωμα ψυκτικού. Η συντήρηση της συσκευής πρέπει να πραγματοποιείται από ειδικευμένο επαγγελματία.
- Εάν το καλώδιο τροφοδοσίας υποστεί ζημιά, πρέπει να αντικατασταθεί από τον κατασκευαστή, το τμήμα συντήρησης ή κατάλληλα ειδικευμένους επαγγελματίες, προκειμένου να αποφευχθούν κίνδυνοι.
- Τα κενά μεταξύ των πορτών του ψύκτη και του πλαισίου του ψύκτη είναι μικρά. Μην βάζετε το χέρι σας σε αυτές τις περιοχές προκειμένου να αποφύγετε τυχόν σύνθλιψη των δαχτύλων. Ανοίγεται και κλείνεται την πόρτα του ψύκτη απαλά για να αποφύγετε την πτώση αντικειμένων.
- Μην δίνετε πακέτο και άλλα εξαρτήματα σε παιδιά για να παίξουν. Η σανίδα κάμψης και η πλαστική μεμβράνη μπορεί να οδηγήσουν σε ασφυξία! Μην αφήνετε τα παιδιά να μπαινούν ή να σκαρφαλώνουν στον ψύκτη προκειμένου να αποφευχθεί η παγίδευσή τους στον ψύκτη ή ο τραυματισμός τους από την πτώση του ψύκτη.
- Μην ψεκάζετε και μην πλένετε τον ψύκτη. Μην τοποθετείτε τον ψύκτη σε υγρά μέρη όπου είναι εύκολο να πιπιλιστεί με νερό, ούτως ώστε να μην επηρεαστούν οι ιδιότητες ηλεκτρολογικής μόνωσής του.
- Μην χρησιμοποιείτε το σώμα, την πόρτα του ψύκτη κ.λπ. ως βάζο ή στήριγμα.
- Μην τοποθετείτε βαριά αντικείμενα στο επάνω μέρος του ψύκτη, καθώς μπορεί να πέσουν όταν ανοίγει την πόρτα και να προκαλέσουν τραυματισμούς λόγω ατυχήματος.

Προειδοποιήσεις σχετικά με την τοποθέτηση αντικειμένων

- Για να αποφευχθεί η πρόκληση ζημιών στο προϊόν και ατυχημάτων λόγω πυρκαγιάς, μην τοποθετείτε εύφλεκτα, εκρηκτικά, πτηνικά και εξαιρετικά διαβρωτικά αντικείμενα στον ψύκτη.
- Για να αποφευχθεί ο κίνδυνος πυρκαγιάς, μην τοποθετείτε εύφλεκτα αντικείμενα κοντά στον ψύκτη.

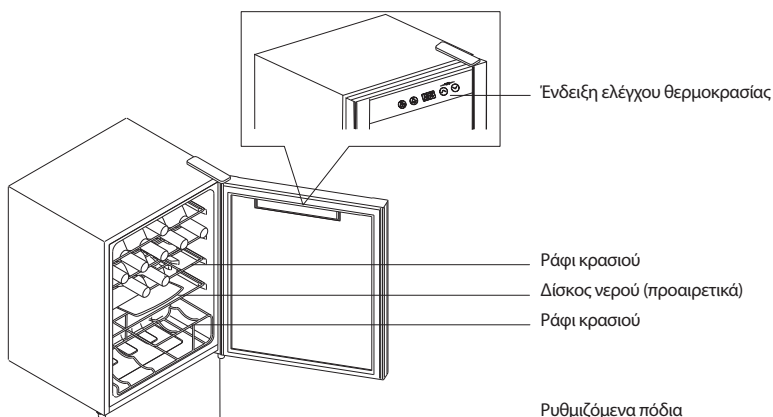
- Αυτό το προϊόν είναι ένας οικιακός ψύκτης και αυτός ο εξοπλισμός μπορεί να χρησιμοποιηθεί μόνο για την αποθήκευση κρασιού.
- Σύμφωνα με τις τυπικές απαιτήσεις, οι οικιακοί ψύκτες δεν πρέπει να χρησιμοποιούνται για άλλους σκοπούς, όπως για την αποθήκευση δειγμάτων αίματος, φαρμάκων ή βιολογικών προϊόντων.

Προειδοποιήσεις για ενέργεια

1. Η λειτουργία του ψύκτη κρασιού ενδέχεται να μην παρουσιάζει συνέπεια όταν αυτός βρίσκεται εγκατεστημένος για μεγάλο χρονικό διάστημα σε χώρο με θερμοκρασίες μικρότερες του κατώτατου ορίου θερμοκρασίας για το οποίο έχει σχεδιαστεί.
2. Δεν πρέπει να υπερβαίνουν οι χρόνοι αποθήκευσης που συνιστώνται από τους κατασκευαστές του κρασιού για οποιοδήποτε είδος κρασιού.
3. Πρέπει να τηρούνται οι απαραίτητες προφυλάξεις για την αποτροπή αδικαιολόγητης αύξησης της θερμοκρασίας του κρασιού κατά την απόψυξη του ψύκτη κρασιού.
4. Η αύξηση της θερμοκρασίας του κρασιού σε περίπτωση μη αυτόματης απόψυξης, συντήρησης ή καθαρισμού της συσκευής θα μπορούσε να επιφέρει μείωση της διάρκειας αποθήκευσης.

ΟΡΘΗ ΧΡΗΣΗ ΤΩΝ ΨΥΓΕΙΩΝ

Ονόματα εξαρτημάτων



Η παραπάνω εικόνα εξυπηρετεί μόνο σκοπούς αναφοράς. Η πραγματική διαμόρφωση του προϊόντος εξαρτάται από τη διάταξη στο πραγματικό προϊόν ή τη δήλωση του διανομέα.

- Η συνιστώμενη θερμοκρασία είναι 12°C, διατηρείτε το ράφι κρασιού στην αρχική κατάσταση.
- Εύρος τιμών εσωτερικής υγρασίας από 50% ως 80% για τον χώρο αποθήκευσης κρασιού. (Για την ΕΕ)
- Η θερμοκρασία μέσα στον ψύκτη κρασιού είναι 5-18°C, χρησιμοποιείται μόνο για την αποθήκευση σφραγισμένου εμφιαλωμένου κρασιού (κόκκινου κρασιού, λευκού κρασιού, ροζέ κρασιού).
- Μην τοποθετείτε τρόφιμα στον ψύκτη κρασιού για να αποτρέψετε τυχόν βακτηριακή μόλυνση.
- Διατηρείτε το εσωτερικό του θαλάμου κρασιού στεγνό, πίνετε εμφιαλωμένο κρασί κατά την περίοδο πριν την ημερομηνία λήξης.

Ρύθμιση θερμοκρασίας



Η παραπάνω εικόνα εξυπηρετεί μόνο σκοπούς αναφοράς. Η πραγματική διαμόρφωση του προϊόντος εξαρτάται από τη διάταξη στο πραγματικό προϊόν ή τη δήλωση του διανομέα.

Έλεγχος εμφάνισης

Όταν ενεργοποιήσετε τον ψύκτη κρασιού για 1η φορά, η οθόνη προβολής θα εμφανίσει πλήρη προβολή για 3 δευτερόλεπτα και τα ηχησει ο τόνος εκκίνησης, κατόπιν θα εισέλθει στην προβολή κανονικής λειτουργίας. Όταν βρίσκεται σε κατάσταση κλειδώματος, η οθόνη προβολής θα απενεργοποιηθεί αν δεν σημειωθεί λειτουργία πλήκτρου για 30 δευτερόλεπτα· η οθόνη προβολής θα επανέλθει στην κανονική προβολή αν πατηθεί οποιοδήποτε πλήκτρο.



Αυτός ο ψύκτης υιοθετεί τον έλεγχο αφής της γυάλινης πόρτας. Αγγίξτε ελαφρά όταν πατάτε τα πλήκτρα. Δεν πρέπει να γρατσουνιστεί η οθόνη από αιχμηρά αντικείμενα και πρέπει να διατηρείται μακριά από περιβάλλοντα υψηλών μαγνητικών πεδίων και υψηλής υγρασίας. Διαφορετικά, ο ψύκτης δεν μπορεί να ρυθμιστεί και να λειτουργήσει κανονικά.

Κλειδώμα και ξεκλειδώμα

Σε κατάσταση κλειδώματος, πατήστε παρατεταμένα το «Πλήκτρο κλειδώματος (🔒)» συνεχόμενα για 3 δευτερόλεπτα, το κλειδώμα θα καταργηθεί και η περιοχή οθόνης θα αναβοσβήνει.

Σε κατάσταση ξεκλειδώματος, πατήστε παρατεταμένα το «Πλήκτρο κλειδώματος (🔒)» συνεχόμενα για 3 δευτερόλεπτα για να εισέλθετε στην κατάσταση κλειδώματος.

Εκτός από τη λειτουργία φωτισμού, στην κατάσταση ξεκλειδώματος θα εκτελούνται οι παρακάτω λειτουργίες. Φωτισμός

Πατήστε το «Πλήκτρο φωτισμού (💡)» για να ενεργοποιήσετε ή να απενεργοποιήσετε τον φωτισμό.

Εναλλαγή θερμοκρασίας σε βαθμούς Fahrenheit και σε βαθμούς Κελσίου

Πατήστε ταυτόχρονα το «Πλήκτρο αύξησης θερμοκρασίας (⬆️)» και το «Πλήκτρο μείωσης θερμοκρασίας (⬇️)» για να ολοκληρώσετε την εναλλαγή θερμοκρασίας σε βαθμούς Κελσίου και Fahrenheit· στην περιοχή οθόνης θα εμφανιστεί η ρύθμιση σε βαθμούς Fahrenheit ή σε βαθμούς Κελσίου στην υπάρχουσα λειτουργία.

Ρύθμιση θερμοκρασίας

Πατήστε το «Πλήκτρο αύξησης θερμοκρασίας (⬆️)», η θερμοκρασία θα αυξηθεί κατά 1°C (ή °F). Μετά το κλειδώμα, ο ψύκτης θα λειτουργεί σύμφωνα με την τιμή ρύθμισης.

Πατήστε το «Πλήκτρο μείωσης θερμοκρασίας (⬇️)», η θερμοκρασία θα μειωθεί κατά 1°C (ή °F). Μετά το κλειδώμα, ο ψύκτης θα λειτουργεί σύμφωνα με την τιμή ρύθμισης.



Εύρος ρύθμισης της θερμοκρασίας Κελσίου: 5°C~18°C· εύρος ρύθμισης της θερμοκρασίας σε βαθμούς Fahrenheit: 41°F~65°F.

Λειτουργία μνήμης

Ο ψύκτης έχει λειτουργία μνήμης απενεργοποίησης. Μετά την εκ νέου ενεργοποίηση, ο ψύκτης θα λειτουργεί όπως είχε ρυθμιστεί πριν απενεργοποιηθεί.

Ένδειξη σφάλματος

Αν η ένδειξη του παρακάτω πίνακα εμφανίζεται στην περιοχή οθόνης, αυτό σημαίνει ότι ο ψύκτης παρουσιάζει σφάλμα.

Κωδικός σφάλματος	E1	E4
Περιγραφή	Αισθητήρας θερμοκρασίας του ψύκτη κρασιού με σφάλμα	Αισθητήρας απόψυξης του ψύκτη κρασιού με σφάλμα



Όταν τα παραπάνω σφάλματα εμφανίζονται στην οθόνη, μην αποσυαρμολογήσετε τον ψύκτη κρασιού για να ελέγξετε μόνοι σας. Επικοινωνήστε με το εξειδικευμένο προσωπικό συντήρησης της τοπικής εταιρείας εξυπηρέτησης μετά την πώληση για συντήρηση.

Τοποθέτηση

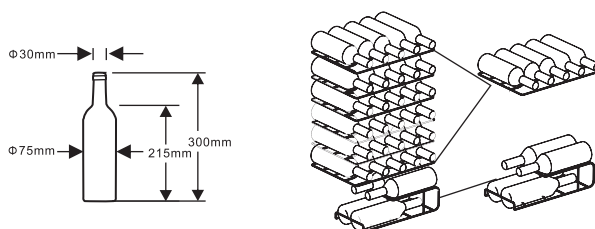
- Προτού χρησιμοποιήσετε τον ψύκτη, αφαιρέστε όλα τα υλικά συσκευασίας, συμπεριλαμβανομένων των προστατευτικών μαξιλαριών στο κάτω μέρος και των μαξιλαριών από αφρό, καθώς και τις ταινίες μέσα στον ψύκτη. Σκίστε την προστατευτική μεμβράνη που καλύπτει την πόρτα και το κυρίως μέρος του ψύκτη.
- Αποφύγετε την έκθεση στο άμεσο ηλιακό φως και σε πηγές θερμότητας, όπως εστίες μαγειρέματος, καλοριφέρ κ.λπ.
- Ο ψύκτης πρέπει να εγκαθίσταται σε καλά αεριζόμενο εσωτερικό χώρο. Το δάπεδο πρέπει να είναι επίπεδο και στέρεο (περιστρέψτε τα ποδαράκια οριζόντιωσης δεξιά ή αριστερά για να ευθυγραμμίσετε το ψυγείο ή σε περίπτωση που είναι ασταθές).
- Το κενό που αφήνεται πάνω από τον ψύκτη πρέπει να είναι μεγαλύτερο από 30 cm και οι αποστάσεις από τις δύο πλευρές και το πίσω μέρος της συσκευής πρέπει να είναι μεγαλύτερες από 10 cm προκειμένου να διευκολύνεται η διάχυση της θερμότητας.

Έναρξη λειτουργίας

- Αυτός ο ψύκτης πρέπει να εγκατασταθεί ελεύθερα και δεν μπορεί να χρησιμοποιηθεί ως εντοιχισμένος. Διαφορετικά, θα προκληθούν προβλήματα, όπως η αστοχία εγκατάστασης στο ερμάριο, η μείωση της απόδοσης και της διάρκειας ζωής του προϊόντος. Επίσης, ο κατασκευαστής δεν παρέχει τη βασική εγγύηση του προϊόντος.
-
- Μετά τη μεταφορά, αφήστε ακίνητο τον ψύκτη κρασιού για πάνω από 2 ώρες πριν την ενεργοποίηση, διαφορετικά θα προκληθεί μείωση της ψυκτικής ικανότητας ή βλάβη στον ψύκτη κρασιού. Κατά την πρώτη εκκίνηση, ο ψύκτης πρέπει να παραμείνει για μισή ώρα σταθερός στη θέση του πριν από τη σύνδεσή του στην πρίζα ηλεκτρικού ρεύματος. Καθαρίστε τον εσωτερικό θάλαμο πριν τον χρησιμοποιήσετε για πρώτη φορά.
 - Αποσυνδέετε το φιλ από την πρίζα σε περίπτωση διακοπής ρεύματος ή καθαρισμού της συσκευής. Περιμένετε πέντε λεπτά προτού επανασυνδέσετε τον ψύκτη κρασιού στην πηγή τροφοδοσίας για την πρόληψη ζημιών στον συμπιεστή λόγω των διαδοχικών εκκινήσεων.
 - Κατά τη διαδικασία λειτουργίας του συμπιεστή, σταγονίδια νερού ή πάγου θα σχηματιστούν στο πίσω τοίχωμα του θαλάμου ψύξης, πράγμα που είναι φυσιολογικό φαινόμενο. Μετά από λίγο, ο πάγος θα υγροποιηθεί και θα ρεύσει μέσα στον δίσκο νερού, από όπου θα εξατμιστεί.
 - Μην συνδέετε τον ψύκτη σε ηλεκτρονικές πρίζες εξοικονόμησης ενέργειας και σε μετασχηματιστές που μετατρέπουν το άμεσο ρεύμα σε εναλλασσόμενο (π.χ. σύστημα ηλιακής ενέργειας, δίκτυο πλοίων).

Διάταξη φιαλών

- Μην αφήνετε τις φιάλες να αγγίζουν το πίσω μέρος του ψύκτη κρασιού, προκειμένου να εξασφαλιστεί καλή κυκλοφορία του αέρα μέσα στον ψύκτη.
- Ο αριθμός φιαλών εδώ μπορεί να διαφέρει από τις φιάλες σε διαφορετικά σχήματα και μεγέθη.
- Η χωρητικότητα φύλαξης φιαλών στον θάλαμο κρασιού βασίζεται στο μέγεθος φιάλης που επισημαίνεται παρακάτω. Οι μεγάλες φιάλες μπορούν να επηρεάσουν τον αριθμό φιαλών φύλαξης στον θάλαμο κρασιού.



Η παραπάνω εικόνα εξυπηρετεί μόνο σκοπούς αναφοράς. Η πραγματική διαμόρφωση του προϊόντος εξαρτάται από τη διάταξη στο πραγματικό προϊόν ή τη δήλωση του διανομέα.

Πρακτικές δεξιότητες για την αποθήκευση κρασιού από σταφύλι

- Μην αποθηκεύετε εμφιαλωμένο κρασί μέσα στον ψύκτη με το κιβώτιο.
- Ο φελλός παλιών φιαλών πρέπει πάντα να καλύπτεται από κρασί όταν τοποθετείται στον ψύκτη κρασιού. Δεν πρέπει να υπάρχει κενό μεταξύ φελλού και κρασιού.
- Το ράφι φιαλών ανοιχτού τύπου είναι εύχρηστο, καθώς δεν αποκόπτεται την κυκλοφορία του αέρα. Η υγρασία του αέρα που συμπυκνώνεται επάνω στις φιάλες μπορεί να στεγνώσει γρήγορα.
- Συμβουλευτείτε πριν την κατανάλωση του κρασιού: Το ροζέ κρασί πρέπει να τοποθετείται στο τραπέζι για 2-5 ώρες πριν την κατανάλωση και το κόκκινο κρασί για 4-5 ώρες, τότε μπορεί να φτάσει την κατάλληλη θερμοκρασία σερβιρίσματος. Αντίθετα, το λευκό κρασί σερβίρεται απευθείας στο τραπέζι. Η σαμπάνια πρέπει να φυλάσσεται πάντα στον ψύκτη και να βγαίνει αμέσως πριν καταναλωθεί.
- Επισημαίνεται ότι η θερμοκρασία του κρασιού είναι πάντα πιο χαμηλή από την ιδανική θερμοκρασία σερβιρίσματος, καθώς η θερμοκρασία αυξάνεται αμέσως κατά 1 με 2°C όταν το κρασί σερβίρεται στο ποτήρι.

Θερμοκρασία σερβιρίσματος

Η γεύση του κρασιού εξαρτάται από τη σωστή θερμοκρασία σερβιρίσματος, επομένως καθορίζει τη γεύση του. Συνιστούμε το κρασί να έχει την παρακάτω θερμοκρασία πριν σερβιριστεί:

Είδη λευκού κρασιού	Θερμοκρασία σερβιρίσματος
Κόκκινο Bordeaux	18°C
Ξηρό κόκκινο κρασί οικογένειας Louis/Barolo	17°C
Κόκκινο Βουργουνδίας/Κόκκινο Bordeaux	16°C
Port	15°C
Νεαρό κόκκινο Βουργουνδίας	14°C
Νεαρό κόκκινο κρασί	12°C
Νεαρό Beaujolais/όλα τα λευκά κρασιά με λίγη υπολειπόμενη ζάχαρη	11°C
Παλαιωμένα λευκά κρασιά/Chardonnay	10°C
Sherry	9°C
Νεαρά λευκά κρασιά όψιμης εσοδείας	8°C
Λευκά κρασιά Λίγηρα/Entre-deux-Mers	7°C

Συμβουλές για εξοικονόμηση ενέργειας

- Ο ψύκτης πρέπει να τοποθετηθεί σε ξηρό χώρο με καλό εξαερισμό. Ο ψύκτης δεν μπορεί να τοποθετηθεί κάτω από άμεσο ηλιακό φως ή πλάι σε πηγή θερμότητας (π.χ. καλοριφέρ, σώμα κ.λπ.) και πρέπει να του εφαρμοστεί κατάλληλο μονωτικό πλαίσιο, εάν είναι απαραίτητο.
- Προσπαθήστε να μειώσετε τον χρόνο ανοίγματος της πόρτας του ψύκτη.

ΣΥΝΤΗΡΗΣΗ ΨΥΚΤΗ ΚΡΑΣΙΟΥ

Αποσυνδέστε τον ψύκτη κρασιού

Βγάλτε το φιν από την πρίζα για να αποσυνδέσετε τον ψύκτη.

Σταματήστε να χρησιμοποιείτε τον ψύκτη κρασιού

Αν ο ψύκτης παραμένει εκτός χρήσης για μεγάλο χρονικό διάστημα, κάντε τα εξής:

1. Αποσυνδέστε τον ψύκτη από την πρίζα,
2. Καθαρίστε τον ψύκτη,
3. Διατηρήστε ανοιχτή την πόρτα του ψύκτη.

Καθαρίστε τον ψύκτη κρασιού

- Η σκόνη που συσσωρεύεται πίσω από τον ψύκτη κρασιού και πάνω στο δάπεδο πρέπει να καθαρίζεται σε τακτά χρονικά διαστήματα για βελτιωμένη απόδοση ψύξης και εξοικονόμηση ενέργειας.
- Ελέγχετε το λάστιχο στεγανοποίησης της πόρτας σε τακτική βάση, για να βεβαιωθείτε ότι δεν έχουν συσσωρευτεί υπολείμματα στην επιφάνειά του. Καθαρίστε το λάστιχο στεγανοποίησης της πόρτας με ένα μαλακό βρεγμένο πανί και νερό με σαπούνι ή αραιωμένο καθαριστικό.
- Το εσωτερικό του ψύκτη κρασιού πρέπει να καθαρίζεται τακτικά για την αποφυγή ανάπτυξης δυσάρεστων οσμών.
- Απενεργοποιήστε τη συσκευή πριν από τον καθαρισμό της, αφαιρέστε όλα τα ποτά, τα ράφια κ.λπ.
- Χρησιμοποιήστε ένα μαλακό πανί ή σφουγγάρι για να καθαρίσετε το εσωτερικό του ψύκτη κρασιού, το οποίο θα έχετε εμποτίσει με μείγμα αποτελούμενο από δύο κουταλιές της σούπας μαγειρική σόδα και ένα τέταρτο ζεστό νερό. Κατόπιν, ξεβγάλτε με νερό και στεγνώστε με ένα μαλακό πανί. Μετά τον καθαρισμό, ανοίξτε την πόρτα και αφήστε τη συσκευή να στεγνώσει φυσικά προτού τη συνδέσετε στην πρίζα.
- Τα δυσπρόσιτα σημεία του ψύκτη κρασιού που δεν είναι εύκολο να καθαριστούν (όπως στενές εσοχές, κενά ή γωνίες) συστιτάται να σκουπίζονται τακτικά με ένα μαλακό πανί, μια μαλακή βούρτσα κ.λπ. και, εφόσον είναι απαραίτητο, συνδυάζοντας κάποια βοηθητικά μέσα (όπως λεπτά μακριά αντικείμενα), προκειμένου να διασφαλιστεί ότι δεν συσσωρεύονται ακαθαρσίες ή βακτήρια σε αυτά τα σημεία.
- Μην χρησιμοποιείτε σαπούνια, απορρυπαντικά, καθαριστικά σπρέι κ.λπ. για να καθαρίσετε το εσωτερικό του ψύκτη σας, καθώς είναι δυνατό να δημιουργήσουν οσμές ή μόλυνση.
- Καθαρίστε τα ράφια με ένα μαλακό βρεγμένο πανί με νερό με σαπούνι ή αραιωμένο καθαριστικό. Κατόπιν, ξεβγάλτε με νερό και στεγνώστε με ένα μαλακό πανί ή αφήστε να στεγνώσει φυσικά.
- Το ξύλινο ράφι κρασιού δεν πρέπει να βουτηχτεί σε υγρό, για να μην ραγίσει και να μην μολυχιάσει από την υγρασία. Το ξύλινο ράφι κρασιού καθαρίζεται με ένα στεγνό μαλακό πανί. Ένα πολύ βρώμικο ξύλινο ράφι κρασιού πρέπει να καθαριστεί με ένα καλά στυμμένο μαλακό πανί και να αφηθεί να στεγνώσει φυσικά.
- Σκουπίστε την εξωτερική επιφάνεια του ψύκτη κρασιού με ένα μαλακό πανί βρεγμένο με σαπούνι και νερό, απορρυπαντικό κ.λπ. και μετά στεγνώστε την. Μην τρίβετε και μην χαράσσετε την επιφάνεια της γυάλινης πόρτας για να μην σπάσει και να μην γρατσουνιστεί.
- Μη χρησιμοποιείτε σκληρές βούρτσες, σύρμα καθαρισμού, συρματόβουρτσες, λειαντικά (όπως οδοντόκρεμες), οργανικούς διαλύτες (όπως νιόντνευμα, ακετόνη, λάδι μπανάνας, κλπ.), βραστό νερό, όξινα ή αλκαλικά στοιχεία, που μπορούν να προκαλέσουν βλάβη στην επιφάνεια και το εσωτερικό του ψύκτη κρασιού. Το βραστό νερό και οι οργανικοί διαλύτες, όπως το βενζόλιο, μπορούν να παραμορφώσουν ή να προκαλέσουν ζημιά στα πλαστικά μέρη.
- Για να αποφύγετε τα βραχυκυκλώματα και για να μην επηρεαστεί η ηλεκτρική μόνωση λόγω της επαφής με το νερό, μην ξεπλένετε απευθείας με νερό ή άλλα υγρά κατά τον καθαρισμό. Το νερό δεν πρέπει να διαποτίζει τα στοιχεία ελέγχου λειτουργίας και το σύστημα φωτισμού της γυάλινης πόρτας.

Σημείωση:

Μην χρησιμοποιείτε απορρυπαντικά και διαλύτες με σκληρούς κόκκους ή οξεία.

ΑΝΤΙΜΕΤΩΠΙΣΗ ΠΡΟΒΛΗΜΑΤΩΝ

Δεν λειτουργεί	Ελέγξτε εάν ο ψύκτης είναι συνδεδεμένος στην πρίζα και αν τροφοδοτείται με ηλεκτρικό ρεύμα. Χαμηλή τάση. Βεβαιωθείτε ότι ο περιστροφικός επιλογέας ρύθμισης της θερμοκρασίας είναι γυρισμένος στο εύρος λειτουργίας. Διακοπή ρεύματος ή ενεργοποίηση ρελέ.
Μακροπρόθεσμη λειτουργία του συμπιεστή	Είναι φυσιολογικό ο ψύκτης να λειτουργεί για μεγαλύτερο χρονικό διάστημα το καλοκαίρι, καθώς η θερμοκρασία του περιβάλλοντος είναι υψηλότερη. Μην τοποθετείται πολλά ποτά μέσα στον ψύκτη κάθε φορά. Συχνό άνοιγμα πόρτας ψύκτη.
Το φως δεν λειτουργεί	Ελέγξτε εάν ο ψύκτης είναι συνδεδεμένος στην παροχή ισχύος ή εάν ο λαμπτήρας ένδειξης έχει βλάβη.
Έντονος θόρυβος	Ελέγξτε εάν το δάπεδο είναι επίπεδο, εάν ο ψύκτης έχει τοποθετηθεί σταθερά, εάν τα παρελκόμενα του ψύκτη έχουν τοποθετηθεί σωστά.
Υπερθέρμανση του πλαϊνού τοιχώματος Συμπυκνώσεις στην επιφάνεια	Το περίβλημα του ψύκτη μπορεί να εκπέμψει θερμότητα κατά τη λειτουργία της συσκευής, ειδικά το καλοκαίρι. Αυτό οφείλεται στην ακτινοβολία του συμπυκνωτή και είναι φυσιολογικό φαινόμενο. Συμπύκνωση: το φαινόμενο της συμπύκνωσης θα εντοπίζεται στην εξωτερική επιφάνεια και τα λάστιχα στεγανοποίησης της πόρτας του ψύκτη όταν η υγρασία του περιβάλλοντος είναι υψηλή. Πρόκειται για ένα φυσιολογικό φαινόμενο και το σκούπισμα με μια πετσέτα επαναφέρει σωστά τη θερμοκρασία ρύθμισης της συσκευής.
Ήχος ροής αέρα Βόμβος Θόρυβος	Τα ψυκτικά υγρά που ρέουν στις σωληνώσεις του κυκλώματος ψυκτικού πυροδοτούν μια σειρά ήχων και κροταλισμάτων, γεγονός που είναι φυσιολογικό δεν επηρεάζει την απόδοση ψύξης. Βόμβος θα παράγεται κατά τη λειτουργία του συμπιεστή, ειδικά κατά την έναρξη ή τη διακοπή λειτουργίας. Η ηλεκτρομαγνητική βαλβίδα ή η ηλεκτρική βαλβίδα διακοπής θα παράγει κροτάλισμα, γεγονός που είναι φυσιολογικό φαινόμενο και δεν επηρεάζει τη λειτουργία.

Προειδοποιήσεις σχετικά με την απόρριψη



Το ψυκτικό και ο αφριστικός παράγοντας κυκλοπεντάνιο που χρησιμοποιούνται στον ψύκτη κρασιού είναι εύφλεκτα υλικά. Επομένως, όταν ο ψύκτης κρασιού απορρίπτεται, θα πρέπει να απομονώνεται από οποιαδήποτε πηγή γυμνής φλόγας και να ανακυκλώνεται από ειδική εταιρεία ανακύκλωσης που φέρει κατάλληλη πιστοποίηση αντί να καίγεται, έτσι ώστε να μην προκληθεί ζημία στο περιβάλλον ή οποιαδήποτε άλλη βλάβη.



Όταν εγκαταλείπετε τον ψύκτη κρασιού, αφαιρέστε την πόρτα του ψύκτη κρασιού, όταν αφαιρέτε την πόρτα από το σώμα, προσέξτε να μην συνθλίψετε τα χέρια σας και αφαιρέστε το λάστιχο της πόρτας και τα ράφια, τοποθετήστε την πόρτα και τα ράφια σε κατάλληλη θέση έτσι, ώστε τα παιδιά να μην μπορούν να μπου για να παίξουν και να πάθουν κάποιο ατύχημα.



Ορθή απόρριψη του προϊόντος:

Αυτή η σήμανση υποδεικνύει ότι αυτό το προϊόν δεν πρέπει να απορρίπτεται με άλλα οικιακά απόβλητα. Για να αποφευχθούν πιθανές ζημιές στο περιβάλλον ή την ανθρώπινη υγεία από την ανεξέλεγκτη διάθεση απορριμμάτων, ανακυκλώστε το υπεύθυνα για να προωθήσετε την αειφόρο επαναχρησιμοποίηση των υλικών πόρων. Για να επιστρέψετε τη μεταχειρισμένη συσκευή σας, χρησιμοποιήστε τα συστήματα επιστροφής και συλλογής ή επικοινωνήστε με το κατάστημα από το οποίο αγοράσατε το προϊόν. Εκεί μπορούν να παραλάβουν αυτό το προϊόν για περιβαλλοντικά ασφαλή ανακύκλωση.

Δελτίο πληροφοριών προϊόντος

KAT' ΕΞΟΥΣΙΟΔΟΤΗΣΗ ΚΑΝΟΝΙΣΜΟΣ (ΕΕ) 2019/2016 ΤΗΣ ΕΠΙΤΡΟΠΗΣ όσον αφορά την ενεργειακή επισήμανση των οικιακών ψυκτικών συσκευών

Όνομα ή εμπορικό σήμα του προμηθευτή: Tesla

Διεύθυνση του προμηθευτή: Tesla Electronics, Litjiska 47, 1000 Ljubljana, SI

Αναγνωριστικό του μοντέλου: RW092M

Τύπος ψυκτικής συσκευής:

Συσκευή χαμηλού θορύβου:	Όχι	Τύπος σχεδιασμού:	ελεύθερη
Συσκευή συντήρησης κρασιών:	Ναι	Άλλη ψυκτική συσκευή:	Όχι

Γενικές παράμετροι του προϊόντος:

Παράμετρος	Τιμή	Παράμετρος	Τιμή
Συνολικές διαστάσεις (σε χιλιοστά)	Ύψος	Συνολικός όγκος (dm ³ ή l)	93
	Πλάτος		
	Βάθος		
EEI	178	Τάξη ενεργειακής απόδοσης	G
Εκπομπές αερομεταφερόμενου ακουστικού θορύβου (dB(A) re 1 pW)	40	Τάξη εκπομπών αερομεταφερόμενου ακουστικού θορύβου	C
Ετήσια κατανάλωση ενέργειας (kWh/έτος)	145	Κλιματική κλάση:	εκτεταμένη εύκρατη, εύκρατη, υποτροπική
Ελάχιστη θερμοκρασία περιβάλλοντος (°C) στην οποία αρμόζει η ψυκτική συσκευή	10	Μέγιστη θερμοκρασία περιβάλλοντος (°C) στην οποία αρμόζει η ψυκτική συσκευή	38
Χειμερινή ρύθμιση	Όχι		

Παράμετροι θαλάμου:

Τύπος θαλάμου	Παράμετροι και τιμές του θαλάμου		
	Όγκος του θαλάμου (dm ³ ή l)	Συνιστώμενη ρύθμιση της θερμοκρασίας για βέλτιστη συντήρηση τροφίμων (°C) Οι ρυθμίσεις αυτές δεν αντιβαίνουν στις συνθήκες συντή-	Ικανότητα κατάψυξης (kg/24ωρο)

			ρησης που καθορίζονται στον πίνακα 3 του παραρτήματος IV		
Προθήκη	Όχι	-	-	-	-
Συντήρησης κρασιών	Ναι	93,0	-	-	M
Δροσερός θάλαμος	Όχι	-	-	-	-
Νωπών τροφίμων	Όχι	-	-	-	-
Ψύκτης	Όχι	-	-	-	-
0 αστέρων ή παραγωγής πάγου	Όχι	-	-	-	-
1 αστέρος	Όχι	-	-	-	-
2 αστέρων	Όχι	-	-	-	-
3 αστέρων	Όχι	-	-	-	-
4 αστέρων	Όχι	-	-	-	-
τμήμα 2 αστέρων	Όχι	-	-	-	-
Θάλαμος μεταβλητής θερμοκρασίας	-	-	-	-	-
Για συσκευές συντήρησης κρασιών					
Αριθμός συνήθων φιαλών κρασιού			34		
Παράμετροι φωτεινής πηγής:					
Τύπος φωτεινής πηγής			LED		
Τάξη ενεργειακής απόδοσης			-		
Ελάχιστη διάρκεια της εγγύησης που προσφέρει ο κατασκευαστής: 24 μήνες					
Συμπληρωματικές πληροφορίες:					
Σύνδεσμος προς την ιστοσελίδα του κατασκευαστή όπου βρίσκονται οι πληροφορίες του σημείου 4 στοιχείο α) του παραρτήματος του κανονισμού (ΕΕ) 2019/2019 της Επιτροπής: tesla.info					

SIGURNOSNA UPOZORENJA

PREPORUKE:

- Ovaj je uređaj namijenjen za kućanstvo i slične primjene kao što su kuhinjski prostori za osoblje u trgovinama, uređima i drugim radnim okruženjima; seoske kuće i od strane klijenata u hotelima, motelima i drugim stambenim sredinama; okruženja za noćenje i doručak; catering i slične aplikacije koje nisu u maloprodaji.
- Ovaj uređaj nije namijenjen za korištenje od strane osoba (uključujući djecu) sa smanjenim fizičkim, osjetilnim ili mentalnim sposobnostima ili s nedostatkom iskustva i znanja, osim ako su pod nadzorom ili upute o korištenju uređaja od strane osobe odgovorne za njihovu sigurnost.
- Djecu treba nadzirati kako bi se osiguralo da se ne igraju s uređajem.
- Ako je kabel za napajanje oštećen, mora ga zamijeniti proizvođač, njegov serviser ili slično kvalificirane osobe kako bi se izbjegle opasnosti.
- U ovom uređaju nemojte pohranjivati eksplozivne tvari poput aerosolnih limenki sa zapaljivim gorivima.
- Uređaj se mora isključiti iz utičnice nakon upotrebe i prije bilo kakvog održavanja na uređaju.
- Otvore za ventilaciju u kućištu uređaja ili u ugrađenoj konstrukciji držite slobodnim od prepreka.
- Nemojte koristiti mehaničke uređaje ili druga sredstva za ubrzanje procesa odmrzavanja, osim onih koje preporučuje proizvođač.
- Nemojte oštetiti krug rashladne tekućine.
- Nemojte koristiti električne uređaje unutar pretinca za pohranu hrane osim ako nisu tipa koje preporučuje proizvođač.
- Molimo ostavite hladnjak u skladu s lokalnim propisima jer koristi zapaljivi plin i rashladno sredstvo.
- Prilikom postavljanja uređaja provjerite da kabel za napajanje nije zaglavio ili oštećen.
- Nemojte locirati više prijenosnih utičnica ili prijenosnih izvora napajanja na stražnjoj strani uređaja.
- Nemojte koristiti produžne kabele ili neuzemljene (dva-pinske) adaptere.
Opasnost: Opasnost od zarobljavanja djeteta. Prije odlaganja starog hladnjaka ili zamrzivača:
 - Skini vrata.
- Ostavite police na mjestu kako se djeca ne bi mogla lako popeti unutra.
- Hladnjak se mora isključiti iz izvora napajanja prije pokušaja ugradnje dodatne opreme.
- Rashladna tekućina i malarija od ciklopentanske pjene korištene za IHA uređaj su zapaljive.
- Stoga, kada je IHA uređaj istrošen, mora se držati posebno tvrtka za oporavak s odgovarajućom kvalifikacijom osim za odgodu izgaranja, sprječavanje štete po okoliš ili bilo koje druge štete.
- Potreba IHA, za vrata ili poklopce opremljene bravama i ključevima, držite IHA ključeve izvan dohvata djece i podalje od hladnjaka, kako biste spriječili da djeca budu zaključana unutra.
- Ovaj uređaj mogu koristiti djeca u dobi od 8 godina i starija te osobe sa smanjenim fizičkim, senzornim ili mentalnim sposobnostima, ili bez iskustva i znanja, ako su pod nadzorom ili upute za sigurnu upotrebu uređaja i razumijevanje opasnosti. Djeca se ne smiju igrati s uređajem. Čišćenje i korisničko održavanje ne smiju obavljati djeca bez nadzora. Djeca u dobi od 3 do 8 godina smiju utovariti i istovariti rashladna uređaje.
- Za samostalni uređaj: ova rashladna jedinica nije namijenjena za korištenje kao ugrađeni uređaj.
- Za uređaje za pohranu vina: ovaj uređaj je namijenjen isključivo za skladištenje vina.
- Svaku zamjenu ili održavanje LED svjetiljke namjerava proizvesti proizvođač, njegov serviser ili slično kvalificirana osoba.

Značenje simbola sigurnosnog upozorenja



Ovo je simbol zabrane. Svako nepoštivanje uputa označenih ovim simbolom može oštetiti proizvod ili ugroziti osobnu sigurnost korisnika.



Ovo je simbol upozorenja. Potrebno je strogo se pridržavati uputa označenih ovim simbolom, inače se proizvod može oštetiti ili uništiti.



Ovo je simbol upozorenja. Upute označene ovim simbolom zahtijevaju posebnu pažnju. Nedovoljan oprez može dovesti do lakših ili umjerenih ozljeda ili oštećenja proizvoda.

Ovaj vodič sadrži mnogo važnih sigurnosnih informacija koje korisnici moraju slijediti.

Upozorenja na struju

- Nemojte povlačiti kabel za napajanje kada povlačite utikač hladnjaka za vino. Čvrsto uhvatite utikač i izvucite ga ravno iz utičnice.
- Ni pod kojim okolnostima nemojte oštetiti kabel za napajanje kako biste osigurali sigurnu uporabu, nemojte ga koristiti ako je kabel za napajanje oštećen ili je utikač istrošen.
- Istrošeni ili oštećeni kabeli za napajanje bit će zamijenjeni u servisnim postajama koje je odobrio proizvođač.
- Kabel za napajanje treba biti u čvrstom kontaktu s utičnicom, inače može doći do požara. Provjerite je li elektroda za uzemljenje utičnice opremljena pouzdanom linijom za uzemljenje.
- Isključite ventil za plin koji curi, a zatim otvorite vrata i prozore u slučaju curenja plina i drugih zapaljivih plinova. Ne isključujte hladnjak i druge električne uređaje jer iskra može uzrokovati požar.
- Iz sigurnosnih razloga ne preporučuje se postavljanje utičnica, regulatora, kuhala za rižu, mikrovalnih pećnica i drugih uređaja na hladnjak za vino, oni koje preporučuje proizvođač nisu uključeni. Ne koristite električne uređaje u smočnici za hranu.

Upozorenje za korištenje

- Nemojte proizvoljno rastavljati ili rekonstruirati hladnjak za vino, niti oštetiti krug rashladne tekućine; održavanje uređaja mora obavljati stručnjak.
- Oštećeni kabel za napajanje mora zamijeniti proizvođač, njegov odjel za održavanje ili povezani stručnjaci kako bi se izbjegla opasnost.
- Zazori između vrata hladnjaka i tijela hladnjaka su mali, imajte na umu da ne stavljate ruku u ta područja kako biste spriječili stiskanje prsta. Budite oprezni kada zatvarate ili otvarate vrata hladnjaka kako biste izbjegli padanje predmeta.
- Nemojte davati pakiranje i druge komponente djeci da se igraju. Savijanje ploče i plastične folije može dovesti do gušenja! Nemojte dopustiti djeci da ulaze ili da se penju na hladnjak kako biste spriječili da djeca ostanu zarobljena u hladnjaku ili ozlijede djecu zbog pada hladnjaka.
- Nemojte prskati ili prati hladnjak; ne postavljajte hladnjak na vlažna mjesta koja se lako prskaju vodom kako ne bi utjecali na električnu izolaciju hladnjaka.
- Nemojte koristiti tijelo hladnjaka, vrata hladnjaka itd. kao pedalu ili oslonac.
- Ne stavljajte teške predmete na rub hladnjaka jer mogu pasti pri otvaranju ili zatvaranju vrata i uzrokovati slučajne ozljede.

Upozorenja o postavljanju

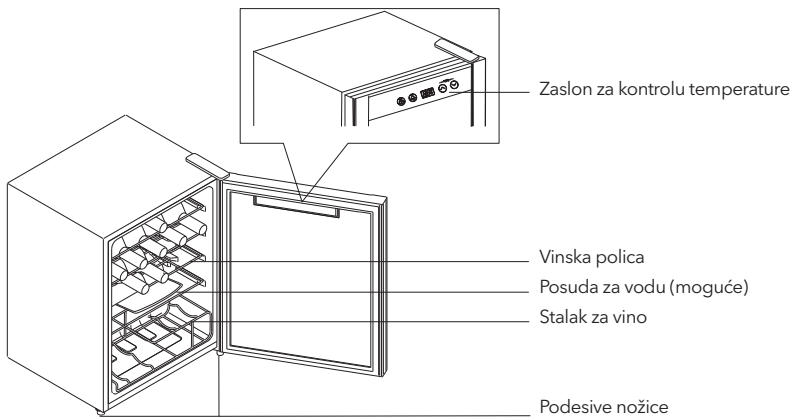
- Ne ostavljajte zapaljive, eksplozivne, hlapljive i vrlo korozivne predmete u hladnjaku kako biste spriječili oštećenje proizvoda ili požar.
- Ne stavljajte zapaljive predmete blizu hladnjaka kako biste izbjegli požar.
- Ovaj proizvod je hladnjak za kućanstvo i ova oprema se može koristiti samo za čuvanje vina. Prema standardnim zahtjevima, kućanski hladnjak ne smije se koristiti u druge svrhe, kao što je skladištenje krvi, lijekova ili bioloških proizvoda.

Energetska upozorenja

1. Hladnjak za vino možda neće raditi dosljedno ako je postavljen na dulje vrijeme ispod niže granice temperaturnog raspona za koji je hladnjak dizajniran.
2. Potreba ne prelazi vrijeme(a) skladištenja koje preporučuju proizvođači vina za bilo koju vrstu vina.
3. Mjere opreza potrebne za sprječavanje neopravdanog povećanja temperature vina tijekom odmrzavanja hladnjaka za vino.
4. Činjenica da porast temperature vina tijekom ručnog odmrzavanja, održavanja ili čišćenja može skratiti vijek skladištenja.

ISPRAVNA UPOTREBA HLADNJAKA

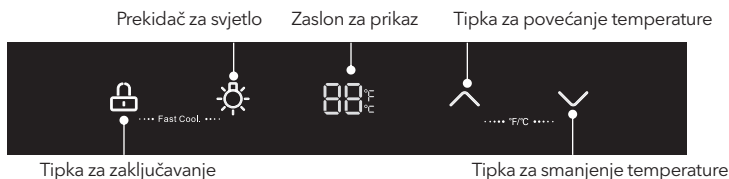
Nazivi dijelova



Slika iznad je samo za referencu. Stvarna konfiguracija ovisit će o fizičkom proizvodu ili izjavi distributera.

- Preporučena temperatura je 12°C; molimo čuvajte držač za vino u izvornom stanju.
- Unutarnja vlažnost se kreće od 50% do 80% za pretinac za pohranu vina. (Za EU)
- Temperatura u hladnjaku za vino je 5-18°C, koristi se samo za čuvanje neotvorenog buteljiranog vina (crno vino, bijelo vino, rose vino).
- Nemojte hladiti hranu u hladnjaku kako biste spriječili bakterijsku kontaminaciju.
- Održavajte unutrašnjost vinskog ormarića suhom, pijte vino u boci tijekom roka valjanosti.

Kontrola temperature



Slika iznad je samo za referencu.

Stvarna konfiguracija ovisit će o fizičkom proizvodu ili izjavi distributera.

Kontrola zaslona

Kada prvi put uključite hladnjak za vino, zaslon će se u potpunosti prikazati na 3 sekunde i oglasit će se početni ton, a zatim ući u zaslon normalnog rada;

Kada je zaključan, zaslon će se isključiti ako ne pritisnete tipku 30 sekundi; ekran zaslona se vraća u normalu ako se radi o bilo kojoj tipki.



Ovaj hladnjak ima staklena vrata s kontrolom dodira. Lagano dodirnite kada pritisnete tipke. Izbjegavajte grebanje područja zaslona oštrim predmetima i držite ga podalje od jakih magnetskih polja i visoke vlažnosti. Inače, hladnjak se možda neće prilagoditi i možda neće raditi normalno.

Zaključavanje i otključavanje

U zaključanom stanju, dugo pritisnete tipku (🔒) Zaključaj je rasterećen; područje prikaza će treptati; U otključanom stanju, dugo pritisnete tipku; (🔓) Zaključaj država.

Osim funkcije osvjetljenja, u otključanom stanju će se izvoditi sljedeće funkcije.

Osvjetljenje

Pritisnite „tipka za prekidač svjetla (🔆)“ da biste uključili ili isključili svjetlo.

Prebacivanje temperature Farenheita i temperature Celzijusa

Pritisnite „tipka za povećanje temperature (🔼)“ i „tipka za smanjenje temperature (🔽)“ u isto vrijeme da završite prebacivanje temperature Celzijusa i temperature Farenheita; područje zaslona će prikazati postavljenu temperaturu Farenheita ili temperaturu Celzijusa u postojećem načinu rada.

Podešavanje temperature

Pritisnite „Tipka za povećanje temperature (🔼)“; temperatura će porasti za 1°C (ili °F). Nakon zaključavanja, hladnjak će raditi prema vrijednosti podešavanja;

Pritisnite „Tipka za spuštanje temperature (🔽)“; temperatura će se smanjiti za 1°C (ili °F). Nakon zaključavanja, hladnjak će raditi prema vrijednosti podešavanja.



Opseg podešavanja Celzijusove temperature: 5°C~18°C; opseg podešavanja temperature Farenheita: 41°F-65°F.

Funkcija memorije

Hladnjak ima memorijsku funkciju za isključivanje. Nakon ponovnog uključivanja, hladnjak će raditi prema postavci prije isključivanja.

Indikacija greške

Ako se na zaslonu prikaže oznaka sljedeće tablice, to znači da je hladnjak neispravan.

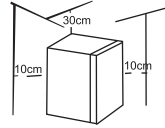
Kod greške	E1	E4
Opis	Senzor temperature hladnjaka za vino sa greškom	Greška senzora odmrzavanja hladnjaka za vino



Kada se gore navedeni nedostaci pojave na zaslonu, nemojte rastavljati hladnjak za vino kako biste sami provjerili. Za održavanje se obratite svom lokalnom osoblju za održavanje.

Postavljanje

- Prije upotrebe hladnjaka, uklonite sav materijal za pakiranje uključujući donje jastuke i pjenaste jastučice i trake unutar hladnjaka, otkinute zaštitnu foliju na vratima i kućištu hladnjaka.
- Izbjegavajte direktnu sunčevu svjetlost i izvore topline kao što su peć, radiator za grijanje itd.
- Hladnjak se postavlja u dobro provjetreno zatvoreno mjesto; podloga treba biti ravna i čvrsta (rotirajte lijevo ili desno da podesite kotačić za niveliranje ako je nestabilno).
- Gornji prostor hladnjaka treba biti veći od 30 cm, a razmak sa obje strane i sa stražnje strane treba biti veći od 10 cm da bi se olakšalo rasipanje topline.
- Ovaj hladnjak se treba instalirati samostalno i ne može se koristiti kao ugradbeni. Inače, to će izazvati probleme kao što je neuspješna instalacija u kabinet, učinkovitost i vijek proizvoda se smanjuje. I proizvođač ne pruža osnovno jamstvo za proizvod.

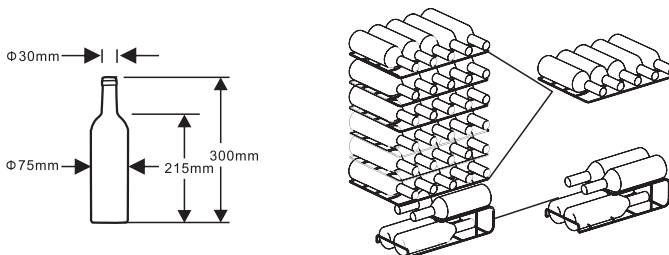


Krenite sa korištenjem

- Nakon transporta, ostavite hladnjak za vino da stoji duže od 2 sata prije nego što uključite struju, inače će to dovesti do smanjenja rashladnog kapaciteta ili oštećenja hladnjaka za vino. Hladnjak će ostati pola sata prije uključivanja struje kada se prvi put pokrene. Očistite unutrašnju komoru prije prve upotrebe.
- Izvucite dodatak u slučaju nestanka struje ili čišćenja. Ne priključujte hladnjak za vino na napajanje u roku od pet minuta da biste spriječili oštećenje kompresora uslijed uzastopnih pokretanja.
- U procesu rada kompresora, na zadnjem zidu rashladne komore će se formirati kapljice vode ili inje, što je normalna pojava. Nakon nekog vremena, mraz će se istopiti u vodu i teći u posudu za vodu da ispari.
- Nemojte povezivati hladnjak na elektronski štedljivi utikač i pretvarač koji može pretvarati jednosmjernu struju u naizmjeničnu (npr.: solarni energetski sustav, brodska mreža).

Raspored boca

- Ne dozvolite da boca dodiruje stražnju stranu hladnjaka za vino kako biste održali dobru cirkulaciju zraka u hladnjaku.
- Broj boca se može razlikovati o broju boca u različitim oblicima i veličinama.
- Kapacitet za skladištenje boca u vinskom ormariću je zasnovan na sljedećoj označenoj veličini boce. Prevelike boce mogu utjecati na broj boca koje se čuvaju u vinskom ormariću.



Slika iznad je samo za referencu.

Stvarna konfiguracija ovisit će o fizičkom proizvodu ili izvavi distributera.

Praktične vještine za čuvanje vina od grožđa

- Ne čuvajte flaširano vino po kutijama ili kutijama u hladnjaku.
- Čep stare boce uvijek mora biti natopljen vinom kada se stavlja u hladnjak za vino. Zračni prostor između vina i pluta nije dozvoljen.
- Otvorena polica za boce je korisna, jer ne prekida cirkulaciju zraka. Zračna vlaga koja se kondenzirala na boci može se brzo osušiti.
- Vino prije pijenja: na primjer, stavite ružičasto crno vino na stol 2-5 sati prije pijenja i crno vino 4-5 sati, a zatim može dostići odgovarajuću temperaturu. Bijelo vino, naprotiv, može se poslužiti odmah na stolu. Šampanjac se uvijek čuva u hladnjaku i vadi samo prije pijenja.
- Imajte na umu da je temperatura vina uvijek niža od idealne temperature za serviranje, jer će temperatura odmah porasti za 1 do 2°C kada se ulije u čašu.

Temperatura serviranja

Okus vina ovisi o odgovarajućoj temperaturi točenja; stoga i određuje njen okus. Predlažemo da temperatura vina dosegne sljedeće stupnjeve prilikom točenja:

Vrste vina	Temp. posluživanja
Bordo crvena	18°C
Louis Famili suho crveno vino/Barolo	17°C
Burgundska crvena/bordo crvena	16°C
Port	15°C
Young Burgundy red	14°C
Young red wine	12°C
Young Beaujolais/sva bijela vina sa malo zaostalog šećera	11°C
Stara bijela vina/Chardonnay	10°C
Sherry	9°C
Mlada bijela vina iz kasne berbe	8°C
Bijela vina Loire/Entre-deux-Mers	7°C

Savjeti za uštedu energije

- Hladnjak treba postaviti u suhu i provjetrenu prostoriju. Hladnjak se ne smije stavljati na direktnu sunčevu svjetlost ili pored izvora topline (kao što je radiator, štednjak itd.), a po potrebi se postavlja odgovarajuća izolacijska ploča.
- Pokušajte skratiti vrijeme otvaranja vrata hladnjaka

ODRŽAVANJE HLADNJAKA ZA VINO

Isključite hladnjak za vino

Isključite utikač za napajanje da biste isključili hladnjak.

Prestanite koristiti hladnjak za vino

Ako se hladnjak ne koristi duže vrijeme, molimo:

1. Isključite hladnjak;
2. Očistite hladnjak;
3. Držite vrata hladnjaka otvorena.

Očistite hladnjak za vino

- Prašina iza hladnjaka za vino i na tlu se blagovremeno čisti kako bi se poboljšao učinak hlađenja i ušteda energije.
- Redovito provjeravajte brtvu vrata da biste bili sigurni da nema ostataka. Očistite brtvu vrata mekanom krpom navlaženom vodom sa sapunom ili razblaženim deterdžentom.
- Unutrašnjost hladnjaka za vino treba redovito čistiti kako bi se izbjegao miris.
- Isključite napajanje prije čišćenja, uklonite piće, police itd.
- Unutrašnjost hladnjaka za vino očistite mekanom krpom ili spužvom, sa dvije žlice sode bikarbone i litrom tople vode. Zatim isperite vodom i osušite mekanom krpom. Nakon čišćenja, otvorite vrata i pustite da se prirodno osuše prije nego što uključite napajanje.
- Za područja koja se teško čiste u hladnjaku za vino (kao što su uski utori, praznine ili kutovi), preporučuje se redovito brisanje mekanom krpom, mekanom četkom i sl., a kada je potrebno, u kombinaciji sa nekim pomoćnim alatima (kao što su tanki štapići) kako bi se osiguralo da nema zagađivača ili akumulacije bakterija u ovim područjima.
- Nemojte koristiti sapune, deterdžente, sredstva za čišćenje u spreju itd. za čišćenje unutrašnjosti vašeg hladnjaka jer oni mogu stvoriti mirise ili kontaminaciju.
- Očistite police mekanom krpom navlaženom vodom sa sapunom ili razblaženim deterdžentom. Zatim isperite vodom i osušite mekanom krpom ili osušite prirodnim putem.
- Drveni stalak za vino ne bi trebao biti direktno uronjen u tekućinu da bi se spriječilo pucanje ili plijesan nakon vlage. Drveni stalak za vino se čisti suhom mekanom krpom. Jako kontaminirani drveni stalak za vino treba očistiti mekanom krpom koja je iscijedena i osušena na prirodan način.
- Vanjsku površinu hladnjaka za vino obrišite mekanom krpom navlaženom vodom sa sapunom, deterdžentom itd., a zatim obrišite suhom. Nemojte trljati ili grebati površinu staklenih vrata kako biste spriječili lomljenje ili grebanje vrata.
- Nemojte koristiti čvrste četke, čiste čelične kuglice, žičane četke, abrazive (kao što je pasta za zube), organska otapala (kao što su alkohol, aceton, ulje banane, itd.), vruću vodu, kiselinu ili alkalne predmete, koji mogu oštetiti površinu i unutrašnjost. Vruća voda i organska otapala kao što je benzol mogu izobličiti ili oštetiti plastične dijelove.
- Nemojte ispirati direktno vodom ili drugim tekućinama tijekom čišćenja da biste izbjegli kratke spojeve ili utjecali na električnu izolaciju nakon potapanja. Voda ne bi trebala natopiti upravljačke elemente rada i sustav osvjetljenja u staklenim vratima.

Napomena:

Nemojte koristiti deterdžent i otapalo sa pijeskom ili kiselinom.

RJEŠAVANJE PROBLEMA

Ne radi	Je li hladnjak priključen i priključen na napajanje; Niski napon; Je li tipka za kontrolu temperature u radnom području; Nestanak struje ili krug okidača.
Dugotrajan rad kompresora	Normalno, hladnjak radi duže vrijeme ljeti kada je temperatura okoline viša; Nemojte stavljati previše pića u hladnjak odjednom; Često otvaranje vrata hladnjaka.
Svjetlo ne radi	Je li hladnjak priključen na napajanje, je li indikatorna lampica oštećena.
Glasni zvukovi	Je li pod ravan, je li postavljanje hladnjaka stabilno; Jesu li dodaci hladnjaka pravilno postavljeni.
Pregrijavanje na bočnom zidu Površinska kondenzacija	Kućište hladnjaka može stvarati toplinu tijekom rada, posebno ljeti, što je uzrokovano zračenjem kondenzatora i to je normalna pojava. Kondenzacija: pojava kondenzacije će se detektirati na vanjskoj površini i brtvama vrata hladnjaka kada je vlažnost okoline visoka, ovo je normalna pojava, a nakon brisanja ručnikom, pravilno povećava podešenu temperaturu uređaja.
Zvuk protoka zraka Zujanje Zveckanje	Rashladne tekućine koje cirkuliraju u cjevovodu rashladnog sredstva će proizvesti erupciju zvuka i hroptanja, što je normalno, ne utječe na učinak hlađenja. Zvučni signal će se generirati pokretanjem kompresora, osobito pri pokretanju ili gašenju. Elektromagnetni ventil ili električni prekidač će zveckati što je normalno i ne utječe na rad.

Upozorenja za odlaganje



Rashladno sredstvo i ciklopentan pjenasti materijal koji se koristi za hladnjak za vino je zapaljiv. Zbog toga, kada se hladnjak za vino istroši, treba se držati dalje od bilo kakvog izvora vatre i da ga obnovi posebna tvrtka za oporavak s odgovarajućom kvalifikacijom osim zbrinjavanja izgaranja, kako bi se spriječila šteta po okoliš ili bilo koja druga šteta.



Kada je hladnjak za vino napušten, uklonite vrata hladnjaka za vino, pri skidanju okvira vrata pazite da ne priključite ruke i uklonite brtva vrata i police, postavite vrata i police u odgovarajući položaj kako djeca ne bi ulazila i doživjeli nesreću.



Pravilno odlaganje ovog proizvoda:

Ova oznaka označava da se ovaj proizvod ne smije odlagati zajedno s drugim kućnim otpadom. Kako biste spriječili moguću štetu za okoliš ili zdravlje ljudi zbog nekontroliranog odlaganja otpada, odgovorno ga reciklirajte kako biste promovirali održivu ponovnu upotrebu materijalnih resursa. Za vraćanje rabljenog uređaja koristite sustave povrata i prikupljanja ili se obratite prodavaču kod kojeg je proizvod kupljen. Oni mogu odnijeti ovaj proizvod na ekološki sigurno recikliranje.

Informacijski list proizvoda

Delegirana uredba Komisije (EU) 2019/2016 u pogledu označivanja energetske učinkovitosti rashladnih uređaja

Ime ili zaštitni znak dobavljača: Tesla

Adresa dobavljača: Tesla Electronics, Litijska 47, 1000 Ljubljana, SI

Identifikacijska oznaka modela: RW092M

Tip rashladnog uređaja:

Tihí rashladni uređaj:	Ne	Projektirani tip:	samostojeće
Uređaj za čuvanje vina:	Da	Drugi rashladni uređaj:	Ne

Opći parametri proizvoda:

Parametar		Vrijednost	Parametar	Vrijednost
Ukupne dimenzije (mm)	Visina	845	Ukupna zapremnina (dm ³ ili l)	93
	Širina	470		
	Dubina	470		
Indeks energetske učinkovitosti (EEI)	178	Razred energetske učinkovitosti	G	
Emisije buke koja se prenosi zrakom (dB(A) re 1 pW)	40	Razred emisija buke koja se prenosi zrakom	C	
Godišnja potrošnja energije (kWh/god)	145	Klimatski razred:	prošireni umjereni, umjereni, subtropski	
Minimalna temperatura okoline (°C) za koju je rashladni uređaj prikladan	10	Maksimalna temperatura okoline (°C) za koju je rashladni uređaj prikladan	38	
Postavka za zimski način rada	Ne			

Parametri odjeljka:

Vrsta odjeljka		Parametri i vrijednosti odjeljka			
		Zapremnina odjeljka (dm ³ ili l)	Preporučena postavka temperature za optimalno čuvanje hrane (°C) Te postavke ne smiju biti u suprotnosti s uvjetima čuvanja iz tablice 3. Priloga IV.	Kapacitet zamrzavanja (kg/24 sata)	Defrosting type (auto-defrost=A, manual defrost=M)
Odjeljak s uvjetima ostave	Ne	-	-	-	-

Odjeljak za čuvanje vina	Da	93,0	-	-	M
Odjeljak s podrumskim uvjetima	Ne	-	-	-	-
Odjeljak za čuvanje svježe hrane	Ne	-	-	-	-
Odjeljak svježe zone	Ne	-	-	-	-
Odjeljak s 0 zvjezdica ili odjeljak za pravljene leda	Ne	-	-	-	-
Odjeljak s jednom zvjezdicom	Ne	-	-	-	-
Odjeljak s dvije zvjezdice	Ne	-	-	-	-
Odjeljak s tri zvjezdice	Ne	-	-	-	-
Odjeljak s četiri zvjezdice	Ne	-	-	-	-
Prostor s dvije zvjezdice	Ne	-	-	-	-
Odjeljak s promjenjivom temperaturom	-	-	-	-	-
Za uređaj za čuvanje vina					
Broj standardnih vinskih boca			34		
Parametri izvora svjetlosti:					
Vrsta izvora svjetlosti			LED		
Razred energetske učinkovitosti			-		
Minimalno trajanje jamstva koje nudi proizvođač: 24 (u mjesecima)					
Dodatne informacije:					
Poveznica na internetsku stranicu proizvođača na kojoj se nalaze informacije iz točke 4. podtočke (a) Priloga Uredbi Komisije (EU) 2019/2019: tesla.info					

BIZTONSÁGI FIGYELMEZTETÉSEK

AJÁNLÁSOK:

- Ezt a készüléket háztartási célokra tervezték. Irodák és egyéb munkahelyek személyzeti konyháiban, családi házakban, szállodákban és motelekben, egyéb lakóhely jellegű környezetekben, panziókban, vendéglátóhelyeken és hasonló, nem kiskereskedelmi célú helyiségekben.
- A készüléket nem használhatják olyan személyek (beleértve a gyermekeket is), akik csökkent fizikai, érzékszervi vagy szellemi képességekkel rendelkeznek, vagy nem rendelkeznek kellő tapasztalattal és ismeretekkel, kivéve, ha a biztonságukért felelős személy felügyeli vagy oktatja őket a készülék használatára vonatkozóan)
- Ügyeljen rá, hogy gyermekei ne játszanak a készülékkel.
- Ha a tápkábel megsérül, a további veszélyek elkerülése érdekében azt csak a gyártó, annak szakszervize, vagy egy megfelelő végzettséggel rendelkező szakember cserélheti ki.
- Ne tároljon robbanásveszélyes anyagokat, például gyúlékony hajtóanyagot tartalmazó aeroszolos dobozokat a készülékben.
- A készüléket karbantartás és tisztítás idejére áramtalanítani kell.
- Tartsa szabadon a szellőzőnyílásokat
- A leolvasztási folyamat felgyorsítására ne használjon a gyártó által nem javasolt mechanikus, vagy más eszközöket
- Ne rongálja meg a hűtőközeg kört.
- Ne használjon elektromos készülékeket a készülék élelmiszer tároló rekeszeiben kivéve, ha azokat a gyártó kifejezetten ajánlja.
- A készüléket a helyi előírásoknak megfelelően ártalmatlanítsa a gyúlékony hűtőközeg miatt.
- A készülék elhelyezésekor ügyeljen arra, hogy a tápkábel ne akadjon be vagy sérüljön meg.
- Ne tároljon hosszabbítót a készülék mögött.
- Ne használjon hosszabbítót vagy földetlen (kétágú) adaptereket.
- Gyermekek csapdába esésének veszélye. Mielőtt kidobja régi hűtőszekrényét vagy fagyasztóját:
 - Vegye le az ajtókat.
 - Hagyja a polcokat a helyükön, hogy a gyerekek ne tudjanak könnyen bemászni a készülékbe.
- Áramtalanítsa a készüléket a tartozékok behelyezésekor.
- A hűtőszekrényhez használt hűtőközeg és a ciklopentán habosító anyag rendkívül gyúlékony. A nem használt hűtőszekrényt mindenféle tűzforrástól távol kell tartani, és a megfelelő képesítéssel rendelkező vállalkozásnak kell ártalmatlanítania.
- Tartsa gyermekeit távol a készüléktől, nehogy csapdába essenek a rájuk csukódó ajtók miatt.
- A készüléket 8 éven aluli gyermekek, valamint fizikai, érzékszervi vagy értelmi képességeikben korlátozott, illetve a készüléket és annak használatát nem ismerő személyek csak olyan felügyelete mellett használhatják, aki a berendezés biztonságos módon történő használatára és az ezzel járó veszélyekre vonatkozó szabályokat megismerte.
- Ez a hűtőberendezés nem beépíthető.
- Ez a készülék kizárólag bor tárolására szolgál.
- A LED izzók cseréjét vagy karbantartását csak a gyártó, annak egy szerviztechnikusa vagy egy hasonlóan képzett személynek kell elvégeznie.

A figyelmeztető szimbólumok jelentése



Ez egy tiltó szimbólum. Az ezzel a szimbólummal jelölt utasítások be nem tartása a termék károsodását eredményezheti, vagy veszélyeztetheti a felhasználó egészségét.



Ez egy figyelmeztető szimbólum. Az ezzel a szimbólummal jelölt utasításokat szigorúan be kell tartani; ellenkező esetben a termék károsodása vagy személyi sérülés következhet be.



Ez egy figyelmeztető szimbólum. Megfelelő óvintézkedésekre van szükség, különben kisebb vagy közepes mértékű sérülések vagy a termék károsodása következhet be.

Ez a kézikönyv számos fontos biztonsági információt tartalmaz, amelyeket a felhasználóknak be kell tartaniuk.

Elektromossággal kapcsolatos figyelmeztetések

- Soha ne a tápkábelnél fogva húzza ki a borhűtő hálózati csatlakozóját. Fogja meg határozottan a villásdugót, és úgy húzza ki azt a konnektorból.
- A biztonságos használat érdekében semmilyen körülmények között ne rongálja meg a tápkábelt, ne használja, ha az megsérült.
- Kérjük, használjon külön konnektort, és azt ne ossza meg más elektromos készülékekkel.
- A hálózati csatlakozónak stabilan kell érintkeznie a konnektorral, különben tűzveszélyes lehet.
- Kérjük, gondoskodjon arról, hogy a hálózati aljzat földelő elektródája megbízható földelő vezetékkel legyen ellátva.
- Zárja el a biztonsági szelepet, majd nyissa ki az ajtókat és ablakokat, ha gáz és más gyúlékony gázok szivárgását észleli. Ne húzza ki a eszközt és más elektromos készülékeket a konnektorból, tekintettel arra, hogy az esetlegesen keletkező szikra tüzet okozhat.
- A biztonság érdekében nem ajánlott a fagyasztó tetejére rizsfőzőket, mikrohullámú sütőket és egyéb, a gyártó által nem ajánlott készülékeket elhelyezni.

Figyelmeztetések a használatra vonatkozóan

- Ne szerelje szét vagy építse át a hűtőszekrényt, és ne rongálja meg a hűtőkört; a készülék karbantartását minden esetben szakembernek kell elvégeznie.
- Ha a tápkábel megsérül, a további veszélyek elkerülése érdekében azt csak a gyártó, annak szakszerveze, vagy egy megfelelő végzettséggel rendelkező szakember cserélheti ki.
- A hűtőszekrény ajtajai között, valamint az ajtók és a hűtőszekrénytest között a rések kicsik, ügyeljen arra, hogy ne tegye a kezét ezekre a területekre. Kérjük, legyen óvatos, amikor becsukja a hűtőszekrény ajtaját.
- Ne adja a csomagot és más alkatrészeket gyermekeknek játszani. A csomagolás és a műanyag fólia fulladáshoz vezethet! Ne engedje, hogy a gyermekek bemásszanak, vagy felmásszanak hűtőre, nehogy beszoruljanak a készülékbe.
- Ne mossa le a készüléket vízzel, mert zárlatot okozhat, ami rendkívül tűz- és balesetveszélyes.
- Ne használja a készüléket, annak ajtaját lábtartóként, támasztékként.
- Ne helyezzen nehéz tárgyakat a készülékre, tekintettel arra, hogy az ajtó nyitásakor vagy zárásakor a tárgyak leeshetnek, és baleseti sérüléseket okozhatnak.

A tételek elhelyezésével kapcsolatos figyelmeztetések

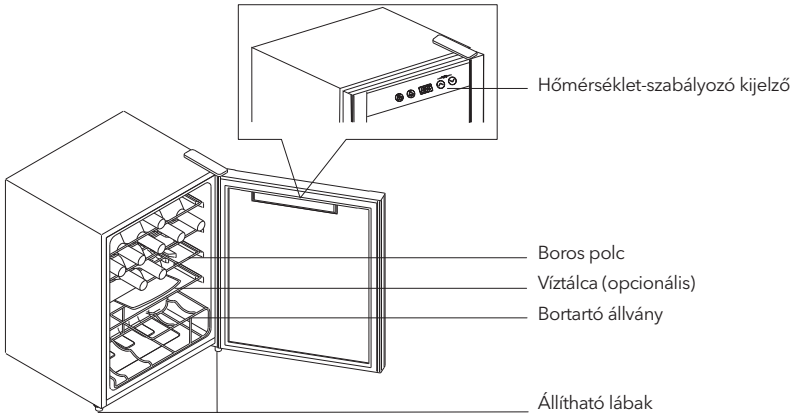
- Ne tegyen gyúlékony, robbanásveszélyes, illékony, vagy erősen maró dolgokat a hűtőszekrénybe.
- A tüzesetek elkerülése érdekében ne helyezzen gyúlékony tárgyakat a hűtőszekrény közelébe.
- A hűtőszekrény háztartási használatra, kizárólag bor tárolására szolgál; nem használható más célra, például vér, gyógyszerek vagy biológiai termékek stb. tárolására.

Figyelmeztetések

1. Előfordulhat, hogy a borhűtő nem működik megfelelően, ha hosszabb ideig üzemel a működési tartományok kívül.
2. Ne lépje túl a boryártók által ajánlott tárolási idő(ke)t semmilyen bor esetében.
3. A borhűtő leolvasztása során a bor hőmérsékletének indokolatlan emelkedését megakadályozó óvintézkedések szükségesek.
4. A bor hőmérsékletének emelkedése a kézi leolvasztás, karbantartás vagy tisztítás során lerövidítheti a tárolási időt.

A HŰTŐSZEKRÉNY MEGFELELŐ HASZNÁLATA

Alkatrészek nevei



(A fenti kép csak tájékoztató jellegű. A tényleges konfiguráció ettől eltérő lehet.)

- Az ajánlott hőmérséklet 12°C; kérjük, hogy a borállványt eredeti helyén tárolja.
- A belső páratartalom 50% és 80% között van a bortároló rekeszben. (Az EU esetében)
- A borhűtő rekesz hőmérséklete 5-18°C, csak bontatlan palackozott borok (vörösbor, fehérbor, rozé bor) tárolására használható.
- A baktériumfertőzés elkerülése érdekében ne helyezzen el élelmiszereket a borhűtőben.
- Kérjük, tartsa a borhűtő belsejét szárazon.

Hőmérséklet-szabályozás



(A fenti kép csak tájékoztató jellegű. A tényleges konfiguráció ettől eltérő lehet.)

Kijelző vezérlés

Az első bekapcsolás során a kijelző képernyő 3 másodpercig teljes egészében világítani kezd egy hangjelzés kíséretében.

Zárolt állapotban a kijelző képernyő kikapcsol, ha 30 másodperc tétlenség után; a kijelző képernyő visszaáll a normál kijelzésre, ha bármilyen billentyűműködés történik.



Ez a hűtő a érintésérzékeny vezérlőpanellel készül. Óvatosan érintse meg a kezelőfelületet. A kijelzőpanel területét ne karcolja meg éles tárgyakkal, tartsa távol a nagy mágneses mezőktől és a magas páratartalomtól is, mert ellenkező esetben előfordulhat, hogy a hűtő nem állítható be és nem működik rendesen.

Zárolás és feloldás

Feloldott állapotban tartsa nyomva a zár gombot 3 másodpercig és a kijelzőpanel egy hangjelzés kíséretében lezár, ami után a kezelőpanel gombjai inaktívvá válnak. Lezárt állapotban tartsa nyomva a zár gombot 3 másodpercig a feloldáshoz.

Nyomja meg a "világításkapcsolót" a világítás be- vagy kikapcsolásához.

A Fahrenheit-hőmérséklet és a Celsius-hőmérséklet váltása

Nyomja meg a "Hőmérséklet +" gombot és a "Hőmérséklet -" gombot egyszerre a Celsius és a Fahrenheit hőmérséklet közötti váltáshoz.

Hőmérséklet beállítása

Nyomja meg a "Hőmérséklet +" gombot a hőmérséklet 1°C-kal (vagy °F) történő emeléséhez.

Nyomja meg a "Hőmérséklet -" gombot a hőmérséklet 1°C-kal (vagy °F) történő csökkentéséhez.



A Celsius hőmérséklet beállítási tartománya: 5°C~18°C ; a Fahrenheit hőmérséklet beállítási tartománya: 41°F-65°F.

Memória funkció

Kikapcsoláskor a készülék megjegyzi az aktuális beállításokat és a következő indításnál ezekkel fog tovább üzemelni.

Hibajelzés

Ha a következő táblázatban szereplő jelzés jelenik meg a kijelzőn, az azt jelenti, hogy a hűtőben hibás.

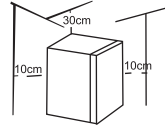
Hibakód	E1	E4
Leírás	A borhűtő hőmérséklet-érzékelője hibásan működik	A borhűtő leolvasztó érzékelője hibásan működik



Ha a fenti hibák jelennek meg a képernyőn, kérjük, ne szerelje szét a borhűtőt, hanem forduljon a szervizközpontunkhoz.

Elhelyezés

- A borhűtő használata előtt távolítsa el az összes csomagolóanyagot, beleértve az alsó habszivacs párnákat, valamint a készülék belsejében lévő szalagokat is, tépje le az ajtón és a készülékházon lévő védőfóliát.
- Tartsa távol hőforrásoktól és a közvetlen napfénytől.
- A hűtőt jól szellőző, zárt helyen kell elhelyezni; a talajnak vízszintesnek és szilárdnak kell lennie.
- A hűtő tetejétől legalább 30 cm, és a hőelvezetés megkönnyítése érdekében a két oldaltól és a hátsó oldaltól való távolságnak legalább 10 cm-nek kell lennie.
- Ezt a hűtőt szabadon álló készülékként kell használni és nem lehet beszerelni.

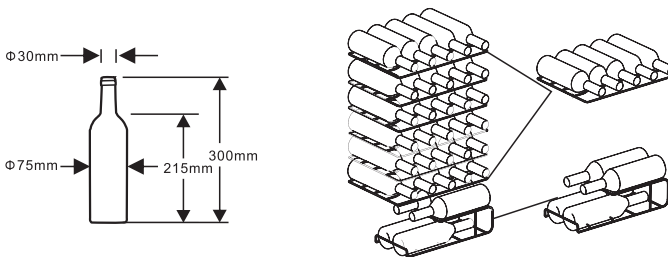


Használat megkezdése

- Szállítás után hagyja a borhűtőt legalább 2 órán keresztül állni, mielőtt bekapcsolja a készüléket, különben csökken a hűtési kapacitás vagy károsodhat a borhűtő. Az első használatba vétel előtt tisztítsa meg a belső felületeket.
- Kérjük, hogy áramszünet vagy tisztítás esetén húzza ki a tápkábel a konnektorból. Ne csatlakoztassa 10 percen belül újból áramforráshoz, hogy elkerülje a kompresszor károsodását.
- A kompresszor működése során a hűtőtér hátsó falán vízcseppek vagy jégfoltok keletkeznek, ami normális jelenség. Egy idő után a jég vízzé olvad, és a víztartályba folyik le, hogy onnan elpárologjon.
- Ne csatlakoztassa a hűtőt energiatakarékos csatlakozóhoz és olyan átalakítóhoz, amely képes az egyenáramot váltakozó áramra alakítani (pl.: napelemes rendszer, hajóhálózat).

A palackok elrendezése

- Ne engedje, hogy a palackok a borhűtő hátsó falához érjenek, hogy a hűtőben egyenletes legyen a levegőkeringés.
- A palackok száma eltérő lehet a különböző alakú és méretű palackok esetében.
- A borhűtőben a palackok tárolására szolgáló kapacitás az alábbiakban megjelölt méreteken alapul. A túlméretezett palackok hatással lehetnek a borszekrényben tárolható palackok számára.



(A fenti kép csak tájékoztató jellegű. A tényleges konfiguráció ettől eltérő lehet.)

A bor tárolására vonatkozó gyakorlati tanácsok

- Ne tárolja a palackozott bort dobozban, vagy csomagolásban a hűtőszekrényben.
- Fordítsa fejjel lefelé a palackot egy pillanatra, hogy a palack dugóját ellepje az üvegben lévő bor, ami ettől egy kicsit megduzzad és így a parafa és az üveg között nem lesz légáramlás.
- A nyitott típusú palackpolc hasznos, mivel nem zárja el a levegő keringését. A palackra kondenzálódott pára gyorsan felszárad.
- A rozé borokat fogyasztás előtt 2-5 órával, a vörösbort pedig 4-5 órával már tegye ki az asztalra, hogy elérjék a megfelelő tálalási hőmérsékletet. A fehérbor és a pezsgőfélék ezzel szemben közvetlenül a hűtőből tálalhatók.
- A bor hőmérséklete mindig legyen alacsonyabb az ideális tálalási hőmérsékletnél, mivel a pohárba töltéskor a hőmérséklet azonnal 1-2 °C-kal megemelkedik.

Tálalási hőmérséklet

A bor íze a megfelelő hőmérséklettől függ, ez határozza meg leginkább. Javasoljuk, hogy a bor hőmérséklete a következő legyen a kitöltéskor:

Borfajták	Töltési hőmérséklet
Bordeaux vörös	18°C
Louis Family száraz vörösbort/Barolo	17°C
Burgundy vörös/Bordeaux vörös	16°C
Port	15°C
Young Burgundy vörös	14°C
Fiatal vörösbort	12°C
Fiatal Beaujolais/minden fehérbor kevés maradékcukorral	11°C
Öreg fehérborok/Chardonnay	10°C
Sherry	9°C
Fiatal fehérborok késői szüretből	8°C
Fehér borok Loire/Entre-deux-Mers	7°C

Energiatakarékossági tippek

- A készüléket a helyiség leghűvösebb részén kell elhelyezni, távol a hőleadó készülékektől, fűtőcsövektől és a közvetlen napfénytől.
- Próbálja meg minél kevesebb ideig nyitva tartani a hűtőajtót.

BORHŰTŐ KARBANTARTÁSA

Kapcsolja ki a borhűtőt

A hűtő leválasztásához húzza ki a hálózati csatlakozót.

Ha nem használja a borhűtőt

Ha a hűtő hosszú ideig használaton kívül marad, kérjük, hogy:

1. Húzza ki a tápkábelt;
2. Tisztítsa meg a hűtőt;
3. Tartsa nyitva a hűtő ajtaját.

A borhűtő tisztítása

- A hűtő mögött és a földön rendszeresen fel kell takarítani a hűtés jó hatásfoka és az energiatakarékosság javítása érdekében.
- Rendszeresen ellenőrizze az ajtó tömítést, hogy ne legyenek rajta szennyeződések. Tisztítsa meg az ajtó tömítést szappanos vízzel vagy mosószerrel megnedvesített puha ruhával.
- A készülék belsejét rendszeresen tisztítani kell a szagok kialakulásának elkerülése érdekében.
- Tisztítás előtt áramtalanítsa a készüléket, távolítsa el az összes bort, polcot, stb.
- Puha ruhával vagy szivaccsal, két evőkanál szóda borkarbónával és egy liter meleg víz keverékével tisztítsa meg a hűtő belsejét, majd öblítse le tiszta vízzel és törölje tisztára. A tisztítás után nyissa ki az ajtót, és hagyja, hogy az magától megszáradjon.
- A borhűtőben a nehezen tisztítható területeket (például rések vagy sarkok) ajánlott rendszeresen áttörölni puha ronggyal, puha kefével stb. és szükség esetén néhány segédeszközzel (például vékony pálcikával), hogy ezeken a területeken ne halmozódjanak fel szennyeződések vagy baktériumok.
- Ne használjon szappant, mosószert, súrolóport, spray tisztítószert, stb., mivel ezek szagokat okozhatnak a hűtő belsejében.
- A polcokat szappanos vízzel vagy hígított mosószerrel nedvesített puha ruhával tisztítsa meg. Szárítsa meg puha ruhával vagy természetes úton.
- A fából készült bortartót nem szabad közvetlenül folyadékba meríteni, hogy ne repedezzen vagy penészedjen be. A fából készült borállványt egy száraz, puha ruhával tisztítsa meg.
- Törölje át a borhűtő külső felületét szappanos vízzel, mosószerrel megnedvesített puha ruhával, majd törölje szárazra. Ne dörzsölje vagy karcolja meg az üvegajtó felületét, hogy elkerülje annak sérülését.
- Ne használjon kemény keféket, drótkéfeket, súrolószereket (akár fogkrém is), szerves oldószereket (pl. alkohol, aceton, banánolaj stb.), forró vizet, savas vagy lúgos elemeket, amelyek károsíthatják a készülék felületét és belsejét. A forrásban lévő víz és a szerves oldószerek, mint például a benzol, deformálhatják vagy károsíthatják a műanyag alkatrészeket.
- Ne öblítse le közvetlenül vízzel vagy más folyadékkal a tisztítás során a készüléket, hogy elkerülje a rövidzárlatot.

Értesítés:

Ne használjon homokkal vagy savakkal együtt tisztítószert és oldószert.

HIBAELHÁRÍTÁS

Nem működik a készülék	A hűtő be van-e dugva, és csatlakoztatva van-e az áramellátáshoz; Alacsony feszültség; A hőmérsékletszabályozó gomb jól van-e beállítva; Hibás tápellátás vagy áramkör.
A kompresszor sokáig működik	Normális, hogy a hűtő hosszabb ideig működik nyáron, amikor a környezeti hőmérséklet magasabb; Ne tegyen túl sok italt a hűtőbe egyszerre; Túl gyakran nyitja ki a hűtőajtót.
A világítás nem működik	A hűtő csatlakoztatva van-e az áramforráshoz, sérült-e az izzó.
Hangos zajok	Sík-e a padló, stabil-e a hűtő elhelyezése; A hűtő tartozékai megfelelően vannak-e elhelyezve.
Túlmelegedés az oldalfalon Felületi kondenzáció	A készülékház működés közben, különösen nyáron, hőt adhat le, ezt a kondenzátor sugárzása okozza, és ez normális jelenség. Kondenzáció: kondenzációs jelenség észlelhető a hűtő külső felületén és ajtótomítésein, amikor a környezeti páratartalom magas, ez normális jelenség, és egy törölközővel könnyedén letörölhető.
Légáramlási hang Zúgás Csattogás	A hűtőközeg-rendszerben keringő gázok hangokat és morajlásokat produkálnak, ami normális és nem befolyásolja a hűtést. Zúgás keletkezik a kompresszor működése során, különösen indításkor vagy leállításkor. A mágnesszelep vagy az elektromos kapcsolószelep csattogni fog, ami normális jelenség, és nem befolyásolja a működést.

Az ártalmatlanításra vonatkozó figyelmeztetések



A hűtőszekrényhez használt hűtőközeg és a ciklopentán habosító anyag rendkívül gyúlékony. A nem használt hűtőszekrényt mindenféle tűzforrástól távol kell tartani, és a megfelelő képzéssel rendelkező vállalkozásnak kell ártalmatlanítania.



Mielőtt kidobja régi készülékét vegye le az ajtókat és hagyja a polcokat a helyükön, hogy a gyerekek ne tudjanak könnyen bemászni a készülékbe.



A szimbólum azt jelzi, hogy a helyi törvényeknek és előírásoknak megfelelően a készüléket a háztartási hulladéktól elkülönítve kell a hulladékba helyezni. Ha a termék eléri élettartama végét, vigye a helyi hatóságok által kijelölt gyűjtőpontra. A készülék elkülönített módon történő gyűjtése és újrahasznosítása segít megóvni a természeti erőforrásokat, és biztosítja, hogy az újrahasznosítás az emberi egészség és a környezet védelmével összhangban történjen. A termék újrahasznosítása érdekében további információért forduljon az illetékesekhez, a helyi hulladékgyűjtő szolgáltatóhoz vagy ahhoz az üzlethez, ahol a terméket megvásárolta.

Termékinformációs adatlap

A BIZOTTSÁG (EU) 2019/2016 FELHATALMAZÁSON ALAPULÓ RENDELETE a hűtőkészülékek energiacímkezéséről

A szállító neve vagy védjegye: Tesla

A szállító címe: Tesla Electronics, Litijška 47, 1000 Ljubljana, SI

Modellazonosító: RW092M

A hűtőkészülék típusa:

Alacsony zajkibocsátású készülék:	Nem	Kialakítás típusa:	szabadon álló
Bortároló készülék:	Igen	Egyéb hűtőkészülék:	Nem

Általános termékparaméterek:

Paraméter		Érték	Paraméter	Érték
Teljes méret (milliméter)	Magasság	845	Teljes térfogat (dm ³ vagy liter)	93
	Szélesség	470		
	Mélység	470		
EEL	178	Energiahatékonysági osztály	G	
Levegőben terjedő akusztikus zajkibocsátás [1 pW-ra vonatkoztatott dB(A)]	40	A levegőben terjedő akusztikus zajkibocsátás osztálya	C	
Éves energiafogyasztás (kWh/év)	145	Klímaosztály:	bővített mérsékelt, mérsékelt, szubtrópusi	
Az a környezeti hőmérsékleti minimum (°C), amelyre a hűtőkészülék alkalmas	10	Az a környezeti hőmérsékleti maximum (°C), amelyre a hűtőkészülék alkalmas	38	
Téli üzemmód	Nem			

Rekeszparaméterek:

Rekesztípus	Rekeszparaméterek és -értékek			
	Rekesztérfogat (dm ³ vagy liter)	Az élelmiszerek optimális tárolására szolgáló ajánlott hőmérséklet-beállítás (°C) Ezek a beállítások nem lehet-	Fagyasztókapacitás (kg/24 óra)	Defrosting type (auto-defrost=A, manual defrost=M)

			nek ellen- tmondás- ban a IV. melléklet 3. táblázatában előírt tárolási fel- tételekkel.		
Kamra	Nem	-	-	-	-
Bortároló	Igen	93,0	-	-	M
Pincerekesz	Nem	-	-	-	-
Frissentartó	Nem	-	-	-	-
Hűtőrekesz	Nem	-	-	-	-
0-csillagos vagy jégké- szítés	Nem	-	-	-	-
1-csillagos	Nem	-	-	-	-
2-csillagos	Nem	-	-	-	-
3-csillagos	Nem	-	-	-	-
4-csillagos	Nem	-	-	-	-
2-csillagos rész	Nem	-	-	-	-
Változtatható hőmér- sékletű rekesz	-	-	-	-	-
Bortároló készülékek esetében					
Szabványos borospalackok száma			34		
A fényforrás paraméterei:					
A fényforrás típusa			LED		
Energiahatékonysági osztály			-		
A gyártó által vállalt jótállás minimális időtartama: 24 hónap					
Kiegészítő információk:					
Internetes hivatkozás a gyártó honlapjára, ahol az (EU) 2019/2019 bizottsági rendelet mellékletének 4. a) pontjában foglalt információ megtalálható: tesla.info					

БЕЗБЕДНОСНИ ПРЕДУПРЕДУВАЊА

- Овој уред е наменет да се користи во домаќинствата и слични примени како што се кујните за персоналот во продавници, канцеларии и други работни средини; фармски куќи и од страна на клиенти во хотели, мотели и други средини од резиденцијален тип; средини од типот ноќевање и појадок; угостителски и слични непродажни места.
- This appliance is not intended for use by persons (including children) with reduced physical, sensory or mental capabilities, or lack of experience and knowledge, unless they have been given supervision or instruction concerning use of the appliance by a person responsible for their safety.
- Children should be supervised to ensure that they do not play with the appliance.
- Ако кабелот за напојување е оштетен, мора да го замени производителот, неговиот сервисер или слично квалификувани лица за да се избегне опасност.
- Не чувајте експлозивни материи како што се аеросолни лименки со запаливо гориво во овој апарат.
- Апаратот треба да се исклучи од струја по употреба и пред да се изврши корисничко одржување на апаратот.
- Чувајте ги отворите за вентилација, во куќиштето на апаратот или во вградената структура, без пречки.
- Не користете механички уреди или други средства за да го забрзате процесот на одмрзување, освен оние препорачани од производителот.
- Не го оштетувајте колото на фрижидерот .
- Не користете електрични апарати во внатрешноста на преградите за складирање храна, освен ако не се од типот препорачан од производителот.
- Ве молиме оставете го апаратот според локалните регулатори бидејќи користи запалив гас и средство за ладење.
- Кога го поставувате апаратот, проверете дали кабелот за напојување не е заглавен или оштетен.
- Не поставувајте повеќе преносливи приклучоци или преносни напојувања на задниот дел од апаратот.
- Не користете продолжни кабли или незаземјени адаптери (два крака).
- Ризик од заробување на детето. Пред да го фрлите апаратот:
 - Отстранете ги вратите.
 - Оставете ги полиците на место за да не можат децата лесно да се качуваат внатре.
- Апаратот мора да се исклучи од изворот на електрична енергија пред да се обиде да поставите дополнителна опрема.
- Ладилното средство и циклопентанскиот материјал за пенење што се користат за фрижидерот се запаливи. Затоа, кога фрижидерот се фрла, тој треба да се чува подалеку од каков било извор на пожар и да биде обновен од специјална компанија за опоравување со соодветна квалификација, освен да се отстранува со согорување, за да се спречи оштетување на животната средина или каква било друга штета.
- The necessity that, for doors or lids fitted with locks and keys, the keys be kept out of the reach of children and not in the vicinity of the refrigerating appliance, in order to prevent children from being locked inside.
- Овој апарат може да го користат деца на возраст од 8 години и повеќе и лица со намалени физички сетилни или ментални способности или недостаток на искуство и знаење доколку им се дадени инструкции или се под надзор за користење на апаратот на безбеден начин и ги разбираат вклучените опасности. Децата не смеат да си играат со апаратот. Чистењето и одржувањето не смеат да го вршат деца без надзор. На децата на возраст од 3 до 8 години им е дозволено да товараат и истоварат апарати за ладење.
- Овој уред за ладење не е наменет за употреба како вграден уред.
- For wine storage appliances: this appliance is intended to be used exclusively for the storage of wine.
- Секоја замена или одржување на LED светилки треба да ја изврши производителот, неговиот сервисер или слично квалификувано лице.

Значење на симболите за безбедносните предупредувања



Ова е симбол за забрана. Секоја неусогласеност со упатствата означени со овој симбол за резултат може да има оштетување на производот или опасност по личната безбедност на корисникот.



Ова е симбол за предупредување. Неопходно е уредот да се употребува со строго почитување на упатствата означени со овој симбол; во спротивно, може да дојде до појава на оштетување на производот или повреда кај луѓето.



Ова е симбол за внимателност. Упатствата означени со овој симбол повикуваат на посебна внимателност. Недоволниот степен на внимателност може да резултира со појава на помали или умерени повреди, или оштетување на производот.

Ова упатство содржи многу важни информации за безбедноста до кои корисниците мора да се придржуваат.

Предупредувања поврзани со струја

- Не влечете го кабелот за напојување на фрижидерот кога го вадите од штекер. Ве молиме цврсто фатете го приклучокот и извлечете го директно од штекерот.
- За да обезбедите безбедна употреба, не го оштетувајте кабелот за напојување или не користете го кабелот за напојување кога е оштетен или истрошен.
- Ве молиме користете посебен приклучок за струја и штекерот не смее да се дели со други електрични апарати.
- Приклучокот за напојување треба да биде цврсто контактиран со штекерот или во спротивно може да се предизвика пожар.
- Ве молиме проверете дали електродата за заземјување на штекерот е опремена со сигурна линија за заземјување.
- Ве молиме исклучете го вентилот на гасот што истекува и потоа отворете ги вратите и прозорците во случај на истекување на гас и други запаливи гасови. Не исклучувајте го фрижидерот и другите електрични апарати имајќи предвид дека искра може да предизвика пожар.

Предупредувања за употреба

- Немојте произволно да го расклопувате или реконструирате фрижидерот, ниту да го оштетувате колото на течноста за ладење; одржувањето на апаратот мора да го изврши специјалист.
- Оштетениот кабел за напојување мора да го замени производителот, неговиот оддел за одржување или поврзаните професионалци за да се избегне опасност.
- Празнините помеѓу вратите на фрижидерот и помеѓу вратите и телото на фрижидерот се мали, имајте предвид да не ја ставате раката во овие области за да спречите притискање на прстите. Ве молиме бидете нежни кога ја отворате вратата од фрижидерот за да избегнете паѓање на предмети.
- Не бирајте храна или садови со влажни раце во комората за замрзнување кога работи фрижидерот, особено метални контејнери за да избегнете смрзнатини.
- Не дозволувајте децата да влегуваат во фрижидер или да се качуваат во него; тоа може да се предизвика гушење или повреда од паѓање на детето.
- Не ставајте тежки предмети на горниот дел од фрижидерот имајќи предвид дека објектите може да паднат при затворање или отворање на вратата и може да се предизвикаат случајни повреди.
- Ве молиме извлечете го приклучокот во случај на прекин на струја или чистење. Не поврзувајте го замрзнувачот на напојување во рок од пет минути за да спречите оштетување на компресорот поради последователни стартувања.

Предупредување за сместување

- Не ставајте запаливи, експлозивни, испарливи и високо корозивни предмети во фрижидерот за да спречите оштетување на производот или несреќи од пожар.
- Не ставајте запаливи предмети во близина на фрижидерот за да избегнете пожари.
- Фрижидерот е наменет за употреба во домаќинството, како што е складирање на храна; не смее да се користи за други цели, како што се складирање на крв, лекови или биолошки производи итн.

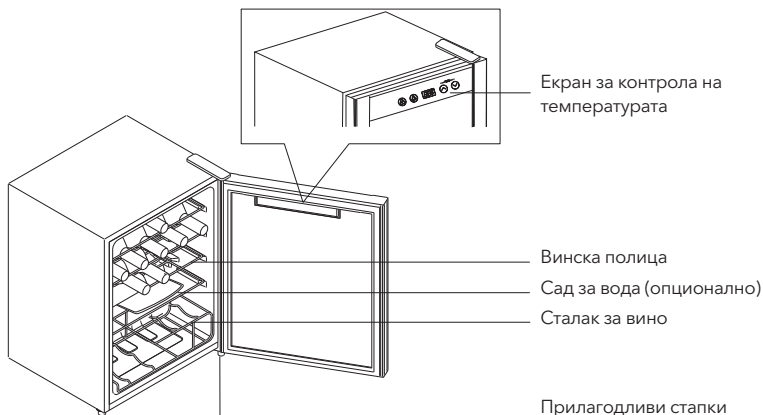
- Не чувајте пиво, пијалоци или други течности содржани во шишиња или затворени садови во комората за замрзнување на фрижидерот; инаку шишињата или затворените контејнери може да напукнат поради замрзнување и да предизвикаат штета.

Предупредувања за енергија

1. Ладилникот за вино може да не работи доследно ако е поставен подолг период под нискиот крај на температурниот опсег за кој е дизајниран фрижидерот.
2. Потребата не смее да го надмине времето (и) на складирање препорачано од производителите на вино за кој било вид вино.
3. Мерки на претпазливост неопходни за да се спречи неоправдано зголемување на температурата на виното при одмрзнување на ладилникот за вино.
4. Фактот дека зголемувањето на температурата на виното за време на рачно одмрзнување, одржување или чистење може да го скрати рокот на складирање.

ПРАВИЛНА УПОТРЕБА НА ФРИЖИДЕРОТ

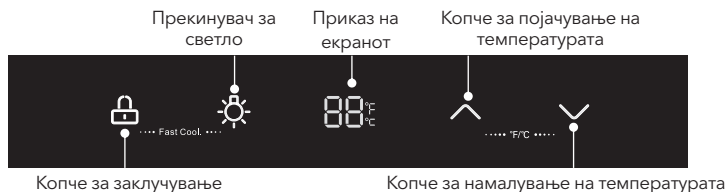
Имиња на компоненти



Сликата погоре е само за референца. Вистинската конфигурација ќе зависи од физичкиот производ или изјавата на дистрибутерот.

- Препорачана температура е 12°C ; ве молиме чувајте го држачот за вино во првобитната состојба.
- Внатрешната влажност се движи од 50% до 80% за преградата за складирање вино. (3a EY)
- Температурата во ладилникот за вино е $5-18^{\circ}\text{C}$, се користи само за складирање на неотворено флаширано вино (црвено вино, бело вино, розе вино).
- Не ставајте храна во ладилникот за вино за да спречите бактериска контаминација.
- Ве молиме чувајте ја внатрешноста на винскиот кабинет сува, пијте флаширано вино за време на периодот на рокот на важност.

Контрола на температура



Сликата погоре е само за референца. Вистинската конфигурација ќе зависи од физичкиот производ или изјавата на дистрибутерот.

Контрола на екранот

Кога ќе го вклучите ладилникот за вино за прв пат, екранот ќе се прикаже целосно 3 секунди, а почетниот тон ќе звони и потоа ќе влезе во екранот за нормална работа; Кога е заклучен, екранот ќе се исклучи ако не го притиснете копчето 30 секунди; заштитникот на екранот се враќа во нормала ако се работи за некоја клучна операција.



Овој фрижидер прифаќа стаклени врати со контрола на допир. Лесно допрете кога ќе ги притиснете копчињата. Избегнувајте гребене на површината на екранот со остри предмети и држете ја подалеку од високи магнетни полиња и висока влажност. Во спротивно, ладилникот може да не се прилагоди и да не работи нормално.

Заклучување и отклучување

Во заклучена состојба, долго притискајте го копчето (🔒). Областа за прикажување ќе трепка; Во отклучена состојба, долго притиснете го копчето (🔓) за состојба за заклучување; Покрај функцијата за осветлување, следните функции ќе се вршат во отклучена состојба.

Осветлување

Притиснете го копчето за прекинувач за светло (💡) за да го вклучите или исклучите светлото.

Фаренхајтска температура и Целзиусова промена на температурата

Притиснете ги „копчето за зголемување на температурата (🔼)“ и „копчето за намалување на температурата (🔽)“ истовремено за да завршите со префрлување помеѓу Целзиусови и Фаренхајтови; областа на екранот ќе ја прикаже поставената Фаренхајтна температура или Целзиусова температура во постоечкиот режим.

Прилагодување на температурата

Притиснете го „Копчето за зголемување на температурата (🔼)“, температурата ќе се зголеми за 1 ° C (или ° F). По заклучувањето, фрижидерот ќе работи според вредноста на поставката; Притиснете го копчето „Долен (🔽)“, температурата ќе се намали за 1 ° C (или ° F). По заклучувањето, фрижидерот ќе работи според вредноста на подесување.



Целзиусовиот опсег на поставување на температурата: 5 ° C ~ 18 ° C; Опсег на подесување на температурата во Фаренхајт: 41 ° F-65 ° F.

Функција на меморија

Фрижидерот има функција за мемориска меморија. Откако ќе се вклучи повторно, фрижидерот ќе работи според поставките пред да се исклучи.

Индикација за грешка

Ако на екранот се прикаже ознаката на следната табела, тоа значи дека фрижидерот е неисправен.

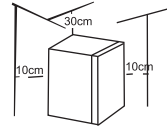
Код на грешка	E1	E4
Опис	Неисправен сензор за температура на ладилникот за вино	Грешка во сензорот за одмрзнување на ладилникот за вино



Кога горенаведените дефекти ќе се појават на екранот, не расклопувајте го ладилникот за вино за да проверите сами. Контактирајте со вашиот локален персонал за одржување по продажбата за одржување.

Поставување

- Пред да го користите фрижидерот, отстранете го целиот материјал од пакувањето, вклучувајќи ги долните перничџа и пена перничџата и ремените во внатрешноста на фрижидерот, откинете ја заштитната фолија на вратата и кукиштето на фрижидерот.
- Избегнувајте директна сончева светлина и извори на топлина како што се шпорети, радијатори за греење итн.
- Фрижидерот се става на добро проветрено затворено место; површината треба да биде рамна и цврста (ротирајте лево или десно за да го прилагодите тркалото за израмнување ако е нестабилно).
- Горниот простор на фрижидерот треба да биде поголем од 30 cm, а растојанието помеѓу двете страни и задниот дел треба да биде поголемо од 10 cm за да се олесни дисипацијата на топлината.
- Овој фрижидер треба да се инсталира самостојно и не може да се користи како вграден. Во спротивно, тоа ќе предизвика проблеми како што е неуспехот да се инсталира во кабинетот, перформансите и животниот век на производот се намалени. И производителот не дава основна гаранција за производот.

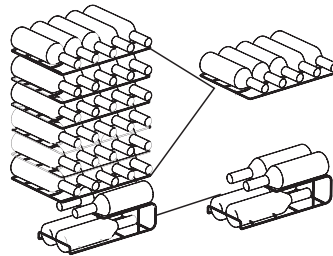
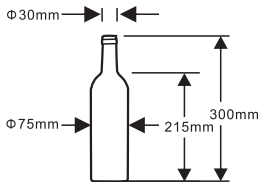


Почнете со употреба

- По транспортот, оставете го ладилникот за вино да остои повеќе од 2 часа пред да ја вклучите струјата, во спротивно тоа ќе го намали капацитетот за ладење или ќе го оштети ладилникот за вино. Фрижидерот ќе остане вклучен половина час пред да ја вклучи струјата кога првпат ќе се вклучи. Исчистете ја внатрешната комора пред првата употреба.
- Исчистете го апаратот од струја во случај на прекин на струја или чистење. Не поврзувајте го ладилникот за вино на напојувањето во рок од пет минути за да спречите оштетување на компресорот поради повеќекратно палење.
- За време на работата на компресорот, на задниот ѕид на комората за ладење ќе се формираат вода или капки мраз, што е нормална појава. По некое време, мразот ќе се стопи во водата и ќе тече во резервоарот за вода за да испари.
- Не поврзувајте го фрижидерот на електронски приклучок за заштеда на енергија и конвертор што може да ја претвори директната струја во наизменична струја (на пр.: соларен систем, поморска мрежа).

Распоред на шишињата

- Не дозволувајте шишето да го допира задниот дел од ладилникот за вино да одржува добра циркулација на воздухот во фрижидерот.
- Бројот на шишиња овде може да се разликува од бројот на шишиња во различни форми и големини.
- Капацитетот за чување шишиња во винскиот кабинет се заснова на следната означена големина на шишето. Преголемите шишиња може да влијаат на бројот на шишиња складирани во винскиот кабинет.



Сликата погоре е само за референца. Вистинската конфигурација ќе зависи од физичкиот производ или изјавата на дистрибутерот.

Практични вештини за чување вино од грозје

- Не чувајте флаширано вино во кутии или гајби во фрижидер.
- Капачето на старото шише мора секогаш да биде натопено со вино кога се става во ладилникот за вино. Воздушниот простор помеѓу виното и плута не е дозволен.
- Отворената решетка за шишиња е корисна бидејќи не ја прекинува циркулацијата на воздухот. Влагата кондензирана на шишињата може брзо да се исуши.
- Вино пред пиене: на пример, ставете розе црвено вино на масата 2-5 часа пред пиене и црвено вино 4-5 часа, а потоа може да ја достигне соодветната температура. Белото вино, напротив, може да се служи токму на трpezата. Шампањот секогаш се чува во фрижидер и се вади само пред да се испие.
- Имајте на ум дека температурата на виното е секогаш пониска од идеалната температура за сервирање, бидејќи температурата веднаш ќе се зголеми за 1 до 2 °C кога ќе се истури во чаша.

Температура на послужување

Вкусот на виното зависи од соодветната температура на истурање; оттука и го одредува неговиот вкус.

Предлагаме температурата на виното да го достигне следното ниво при точење:

Врста на вино	Темп. На послужување
Бордо црвено	18°C
Louis Famili суво црвено вино/Barolo	17°C
Burgundska црвена/ бордо црвена	16°C
Port	15°C
Young Burgundy red	14°C
Young red wine	12°C
Young Beaujolais/sva bela vina sa malo zaostalag šećera	11°C
Старо бело вино/ Шардоне	10°C
Sherry	9°C
Млади бели вина од доцна берба	8°C
Бели вина Loire/Entre-deux-Mers	7°C

Совети за заштеда на енергија

- Фрижидерот треба да се стави во сува и проветрена просторија. Фрижидерот не треба да се става на директна сончева светлина или во близина на извори на топлина (како радијатори, шпорети и сл.), а доколку е потребно, поставете соодветна изолациона плоча.
- Обидете се да го скратите времето на отворање на вратата од фрижидерот

ОДРЖУВАЊЕ НА ФРИЖИДЕРОТ ЗА ВИНО

Исклучете го фрижидерот за вино

Исклучете го приклучокот за напојување за да го исклучите ладилникот.

Престанете да го користите ладилникот за вино

Ако фрижидерот не се користи долго време, ве молиме:

1. Исклучете го фрижидерот;
2. Исчистете го фрижидерот;
3. Чувајте ја вратата на фрижидерот отворена.

Исчистете го фрижидерот за вино

- Прашината зад ладилникот за вино и на земја се чисти навремено за да се подобри ефектот на ладење и да се заштеди енергија.
- Редовно проверувајте ја заптивката на вратата за да бидете сигурни дека нема остатоци. Исчистете ја заптивката на вратата со мека крпа натопена со сапун и разреден детергент.
- Внатрешноста на ладилникот за вино треба редовно да се чисти за да се избегне мирис.
- Исклучете го напојувањето пред чистење, отстранете ги пијалочите, полиците итн.
- Внатрешноста на ладилникот за вино исчистете ја со мека крпа или сунѓер, со две лажици сода бикарбона и литар топла вода. Потоа исплакнете со вода и исушете со мека крпа. По чистењето, отворете ја вратата и оставете ја природно да се исуши пред да го вклучите напојувањето.
- За места кои тешко се чистат во ладилникот за вино (како тесни сендвичи, празнини или агли), се препорачува редовно бришење со мека крпа, мека четка итн., а кога е потребно, во комбинација со некои помошни алатки како што се тенки стапчиња за да се осигура дека нема загадувачи или акумулација на бактерии во овие области.
- Не користете сапуни, детергенти, средства за чистење со спреј и сл. да ја исчистите внатрешноста на вашиот фрижидер бидејќи тие можат да создадат мириси или контаминација.
- Исчистете ги полиците со мека крпа натопена со сапун и разреден детергент. Потоа исплакнете со вода и исушете со мека крпа или исушете природно.
- Дрвената решетка за вино не треба да се потопува директно во течноста за да се спречи пукање или мувла по влагата. Дрвената решетка за вино се чисти со сува мека крпа. Силно контаминираната дрвена решетка за вино треба да се исчисти со мека крпа што е исцедена и исушена на природен начин.
- Избришете ја надворешноста на ладилникот за вино со мека крпа натопена со сапун и детергент итн., а потоа избришете ја на суво. Не тријте или гребете ја површината на стаклената врата за да спречите скршење или гребење на вратата.
- Не користете тврди четки, чисти челични топчиња, жичени четки, абразиви (како паста за заби), органски растворувачи (како алкохол, ацетон, масло од банана итн.), врела вода, киселина или алкални предмети што може да го оштетат виното поладно површината и внатрешноста. Водата што врие и органските растворувачи како што е бензенот може да ги деформираат или оштетат пластичните делови.
- Не плакнете директно со вода или други течности за време на чистењето за да избегнете кратки споеви или да влијаете на електричната изолација по потопување. Водата не треба да ги впива контролите и системот за осветлување во стаклената врата.

Забелешка:

Не користете детергент и растворувач со песок или киселина.

РЕШАВАЊЕ НА ПРОБЛЕМИ

Не работи	Da li je hladnjak priključen i priključen na napajanje; Niski napon; Da li je dugme za kontrolu temperature u radnom području; Kvar napajanja ili kola za okidanje.
Долготрајно работење на компресорот	Normalno, hladnjak radi duže vreme leti kada je temperatura okoline viša; Nemojte stavljati previše pića u hladnjak odjednom; Često otvaranje vrata hladnjaka.
Светлото не работи	Da li je hladnjak priključen na napajanje, da li je indikatorna lampica oštećena.
Гласни звукови	Da li je pod ravan, da li je postavljanje hladnjaka stabilno; Da li su dodaci hladnjaka pravilno postavljeni.
Прегревање на страничниот сид Површинска кондензација	Кукиштето на ладилникот може да емитува топлина за време на работата, особено во лето, што е предизвикано од зрачење на кондензаторот и тоа е нормална појава. Кондензација: кондензација ќе се открие на надворешната површина и дихтунзи на вратата на фрижидерот кога влажноста е висока, ова е нормална појава, а по бришењето со крпа правилно ја зголемува поставената температура на уредот.
Звук на протокот на воздух	Течностите за ладење кои циркулираат во цевководот на течноста за ладење ќе произведуваат ерупција на звук и речењето, што е нормално, не влијае на ефектот на ладење. Звучникот ќе се генерира со палење на компресорот, особено кога ќе се вклучи или запре. Електромагнетниот вентил или електричниот прекинувач ќе штракаат што е нормално и не влијае на работата.

Предупредувања за фрлање



Ладилното средство и материјалот за пена од циклопентан што се користат за фрижидерот се запаливи. Затоа, кога фрижидерот се отстранува, тој треба да се чува подалеку од каков било извор на пожар и да биде обновен од специјална компанија за обновување со соодветна квалификација, освен да се отстранува со согорување, за да се спречи оштетување на животната средина или каква било друга штета.



Кога фрижидерот е изгребан, расклопете ги вратите и извадете ја заптивката на вратата и полиците; ставете ги вратите и полиците на соодветно место, за да спречите заробување на кое било дете.



Соодветно отстранување на производот:

Оваа ознака покажува дека овој производ не треба да се фрла со друг отпад од домаќинството низ ЕУ. За да спречите можна штета на животната средина или на човековото здравје од неконтролирано депонирање отпад, рециклирајте го одговорно за да промовирате одржлива повторна употреба на материјалните ресурси. За да го вратите употребениот уред, користете ги системите за враќање и наплата или контактирајте со продавачот каде што е кулен производот. Тие можат да го земат овој производ за еколошки безбедно рециклирање.

MĂSURI DE SIGURANȚĂ

RECOMANDĂRI:

- Acest aparat este destinat să fie utilizat în aplicații casnice și similare, cum ar fi zonele de bucătărie pentru personal din magazine, birouri și alte medii de lucru; ferme și de către clienți în hoteluri, moteluri și alte medii de tip rezidențial; medii tip pensiune; catering și aplicații similare non-retail.
- Acest aparat nu este destinat utilizării de către persoane (inclusiv copii) cu capacități fizice, senzoriale sau mentale reduse sau cu lipsă de experiență și cunoștințe, cu excepția cazului în care acestea au fost supravegheate sau instruite cu privire la utilizarea aparatului de către o persoană responsabilă pentru siguranța lor.)
- Copiii trebuie supravegheați pentru a se asigura că nu se joacă cu aparatul.
- Dacă cablul de alimentare este deteriorat, acesta trebuie înlocuit de către producător, agentul său de service sau persoane calificate pentru a evita un pericol.
- Nu depozitați în acest aparat substanțe explozive, cum ar fi cutii de aerosoli cu propulsor inflamabil.
- Aparatul trebuie scos din priză după utilizare și înainte de a efectua întreținerea de către utilizator.
- Păstrați orificiile de ventilație, în carcasa aparatului sau în structura încorporată, libere de obstacole.
- Nu folosiți dispozitive mecanice sau alte mijloace pentru a accelera procesul de dezghețare, altele decât cele recomandate de producător.
- Nu deteriorați circuitul de agent frigorific.
- Nu folosiți aparate electrice în interiorul compartimentelor de depozitare a alimentelor ale aparatului, decât dacă sunt de tipul recomandat de producător.
- Vă rugăm aruncați aparatul în conformitate cu reglementările locale, deoarece utilizează gaz inflamabil și agent frigorific.
- Când așezați aparatul, asigurați-vă că cablul de alimentare nu este blocat sau deteriorat.
- Nu localizați mai multe prize portabile sau surse de alimentare portabile în partea din spate a aparatului.
- Nu utilizați prelungitoare sau adaptoare fără împământare (cu doi pini).
- Risc de blocare a copiilor. Înainte de a arunca aparatul:
 - Scoateți ușile.
 - Lăsați rafturile la locul lor, astfel încât copiii să nu se urce cu ușurință înăuntru.
- Aparatul trebuie deconectat de la sursa de alimentare electrică înainte de a încerca instalarea accesoriilor.
- Refrigerantul și materialul spumant de ciclopentan folosit pentru frigider sunt inflamabile. Prin urmare, atunci când frigiderul este casat, acesta trebuie ținut departe de orice sursă de foc și recuperat de o firmă specială de recuperare cu calificare corespunzătoare, altfel decât să fie eliminat prin ardere, pentru a preveni deteriorarea mediului sau orice alte daune.
- Este necesară montarea ușilor sau a unor capace, prevăzute cu chei și încuietori. Cheile nu trebuie lăsate la îndemâna copiilor sau în vecinătatea aparatului pentru a evita riscul blocării copiilor în aparat.
- Acest aparat poate fi folosit de copii cu vârsta de la 8 ani și peste și de persoane cu capacități fizice senzoriale sau mentale reduse sau cu lipsă de experiență și cunoștințe, dacă au primit supraveghere sau instrucțiuni privind utilizarea aparatului într-un mod sigur și înțeleg pericolele implicate. Copiii nu se vor juca cu aparatul. Curățarea și întreținerea utilizatorului nu trebuie efectuate de copii fără supraveghere. Copiii cu vârsta cuprinsă între 3 și 8 ani au voie să încarce și să descarce aparatele frigorifice.
- Acest dispozitiv de răcire nu este destinat utilizării ca dispozitiv încorporat.
- Pentru aparatele pentru depozitarea vinului: acest aparat este proiectat doar pentru a fi folosit exclusiv pentru depozitarea vinului.
- Orice înlocuire sau întreținere a becurilor LED trebuie efectuată de către producător, tehnicianul său de service sau o persoană calificată similar.

Sensul simbolurilor de siguranță



Acesta este un simbol de interdicție. Orice nerespectare a instrucțiunilor marcate cu acest simbol pot provoca deteriorări ale produsului sau vătămări corporale.



Acest este un simbol de atenționare. Este necesară manevrarea conform instrucțiunilor marcate cu acest simbol; în caz contrar se pot produce deteriorări ale produsului sau vătămări corporale.



Simbol de avertizare. Instrucțiunile marcate cu acest simbol necesită atenție specială. În caz contrar se pot produce deteriorări sau vătămări.

Acest manual conține informații importante privind siguranța, care trebuie respectate de către utilizatori

Avertismente referitoare la electricitate

- Nu trageți de cablul de alimentare când trageți de ștecherul frigiderului. Vă rugăm să prindeți ferm ștecherul și să-l scoateți direct din priză.
- Pentru a asigura o utilizare în siguranță, nu deteriorați cablul de alimentare și nu utilizați cablul de alimentare atunci când este deteriorat sau uzat.
- Vă rugăm să utilizați o priză de alimentare dedicată, iar priza de alimentare nu trebuie să fie partajată cu alte aparate electrice. Ștecherul trebuie să fie ferm în contact cu priza, altfel ar putea fi provocate incendii.
- Vă rugăm să vă asigurați că electrodul de împământare al prizei de alimentare este echipat cu o linie de împământare fiabilă.
- Vă rugăm să închideți robinetul de scurgere a gazului și apoi deschideți ușile și ferestrele în caz de scurgere de gaz și alte gaze inflamabile. Nu deconectați frigiderul și alte aparate electrice, având în vedere că scântea poate provoca un incendiu.
- Nu folosiți aparate electrice pe partea superioară a aparatului, decât dacă sunt de tipul recomandat de producător.

Atenționări de utilizare

- Nu dezasamblați sau reconstruiți în mod arbitrar frigiderul și nici nu deteriorați circuitul de agent frigorific; întreținerea aparatului trebuie efectuată de un specialist.
- Cablul de alimentare deteriorat trebuie înlocuit de către producător, departamentul de întreținere sau profesioniști pentru a evita pericolul.
- Decalajele dintre ușile frigiderului și dintre uși și corpul frigiderului sunt mici, rețineți că nu puneți mâna în aceste zone pentru a preveni strângerea degetului. Vă rugăm să fiți atent când deschideți ușa frigiderului pentru a evita căderea articolelor.
- Nu ridicăți alimente sau recipiente cu mâinile ude în camera de congelare când frigiderul este în funcțiune, în special recipiente metalice pentru a evita degerăturile.
- Nu permiteți niciunui copil să intre sau să se urce în frigider; în caz contrar, poate fi provocată rănirea copilului prin sufocare sau cădere.
- Nu așezați obiecte grele pe partea superioară a frigiderului, având în vedere că pot cădea atunci când închideți sau deschideți ușa și pot fi cauzate răni accidentale.
- Vă rugăm să scoateți ștecherul în caz de pană de curent sau de curățare. Nu conectați congelatorul la sursa de alimentare în decurs de cinci minute pentru a preveni deteriorarea compresorului din cauza pornirilor succesive.

Avertismente privind poziționarea

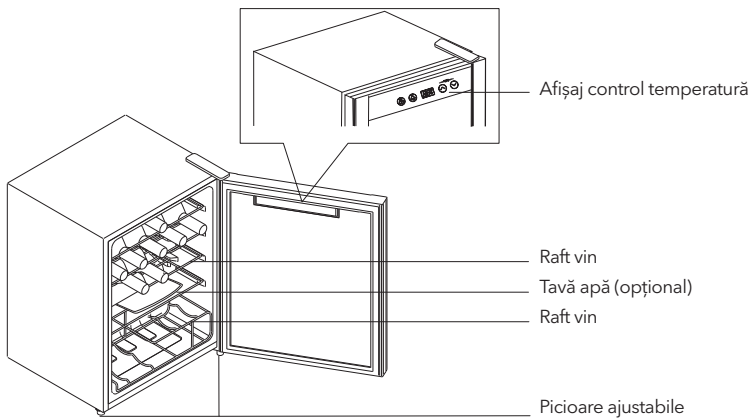
- Nu puneți articole inflamabile, explozive, volatile și foarte corozive în frigider pentru a preveni deteriorarea produsului sau accidente de incendiu.
- Nu așezați articole inflamabile în apropierea frigiderului pentru a evita incendiile.
- Frigiderul este destinat uzului casnic, cum ar fi depozitarea alimentelor; nu va fi utilizat în alte scopuri, cum ar fi depozitarea sângelui, a medicamentelor sau a produselor biologice etc.

Avertismente pentru energie

1. Răcitorul de vin este posibil să nu funcționeze în mod constant atunci când este amplasat pentru o perioadă lungă de timp sub limita rece a intervalului de temperatură pentru care este proiectat răcitorul.
2. Necesitatea de a nu depăși timpul de păstrare recomandat de producătorii de vin pentru orice fel de vin.
3. Măsurile de precauție necesare pentru a preveni o creștere nejustificată a temperaturii vinului în timpul dezghețării răcitorului de vin.
4. Faptul ca o creștere a temperaturii vinului în timpul dezghețării manuale, întreținerii sau curățării ar putea scurta durata de viață.

UTILIZAREA CORECTĂ A FRIGIDERULUI

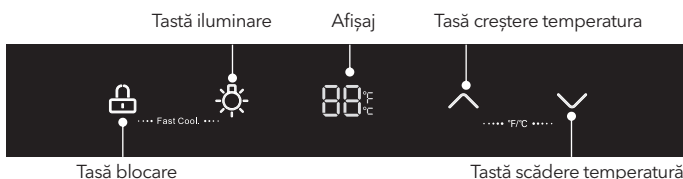
Denumirea componentelor



Imaginea de mai sus este doar orientativă. Configurația depinde de starea fizică a produsului sau declarația distribuitorului.

- Temperatura recomandată este de 12°C; vă rugăm să păstrați suportul pentru vin în starea originală.
- Intervalul de umiditate interioară de la 50% la 80% pentru compartimentul de depozitare a vinului. (Pentru UE)
- Temperatura din răcitorul de vin este de 5-18°C, folosit doar pentru a păstra vinul îmbuteliat nedeschis (vin roșu, vin alb, vin rose).
- Nu puneți alimente în răcitorul de vinuri pentru a preveni contaminarea bacteriană.
- Vă rugăm să păstrați interiorul dulapului pentru vinuri uscat, vă rugăm să beți vin îmbuteliat în perioada de valabilitate.

Control temperatura



Imaginea de mai sus este doar orientativă. Configurația depinde de starea fizică a produsului sau declarația distribuitorului.

Controlul afișajului

Când porniți răcitorul de vin pentru prima oară, ecranul de afișare se va afișa complet timp de 3 secunde, iar sunetul de pornire va suna și apoi va intra în afișajul de funcționare normală;

Când se află în starea blocată, ecranul de afișare se va opri dacă nu acționează tastele timp de 30 de secunde; Ecranul de afișare recuperează afișarea normală dacă orice operație de tastă.



Acest răcitor este prevăzut cu control tactil al ușii de sticlă. Atingeți ușor când apăsați tastele. Este de evitat ca zona panoului de afișare să fie zgâriată de obiectele ascuțite și trebuie ținută departe de mediul cu câmp magnetic ridicat și umiditate ridicată. În caz contrar, este posibil ca răcitorul să nu fie reglat și să funcționeze normal.

Blocare și deblocare

În starea de blocare, apăsați lung „tasta de blocare (🔒)” în mod continuu timp de 3 secunde, blocarea va fi eliberată; zona de afișare va clipi;

În starea deblocat, apăsați lung „tasta de blocare (🔒)” în mod continuu timp de 3 secunde pentru a intra în blocarea stat;

Cu excepția funcției de iluminare, următoarele funcții vor fi efectuate în starea deblocat.

Iluminat

Apăsați „tasta comutatorului luminii (💡)” pentru a aprinde sau stinge lumina.

Comutarea temperaturii Fahrenheit și a temperaturii Celsius

Apăsați „tasta de creștere a temperaturii (⬆️)” și „tasta de scădere a temperaturii (⬇️)” în același timp pentru a finaliza comutarea temperaturii Celsius și a temperaturii Fahrenheit; zona de afișare va afișa temperatura setată în Fahrenheit sau temperatura Celsius în modul existent.

Setarea temperaturii

Apăsați „tasta de creștere a temperaturii (⬆️)”, temperatura va crește cu 1°C (sau °F). După blocare, răcitorul va funcționa conform valorii setate;

Apăsați „tasta de scădere a temperaturii (⬇️)”, temperatura va scădea cu 1°C (sau °F). După blocare, răcitorul va funcționa conform valorii setate.



Setare pentru Celsius: 5°C~18°C ; setare pentru Fahrenheit: 41°F-65°F.

Funcție memorie

Coolerul are funcția de memorie de oprire. După pornire din nou, răcitorul va funcționa conform setărilor de dinainte de oprire.

Indicare eroare

Dacă indicația din următorul tabel este afișată pe zona de afișare, înseamnă că răcitorul este defect.

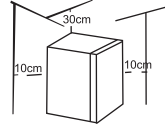
Cod eroare	E1	E4
Descriere	Senzorul de temperatură este defect	Senzorul de dezghețare al cooler-ului este defect



Când defecțiunile de mai sus sunt afișate pe ecran, vă rugăm să nu dezamblați răcitorul de vin pentru a verifica singur. Vă rugăm să contactați personalul special de întreținere al companiei locale de service post-vânzare pentru întreținere.

Poziționare

- Înainte de a utiliza răcitorul, îndepărtați toate materialele de ambalare, inclusiv pernele inferioare și tampoanele de spumă și benzile din interiorul răcitorului, îndepărtați folia de protecție de pe ușă și de pe corpul răcitorului.
- Evitați lumina directă a soarelui și sursele de căldură precum aragazul, radiatorul de încălzire etc.
- Răcitorul este amplasat într-un loc interior bine ventilat; solul trebuie să fie plat și robust (roțiți-vă la stânga sau la dreapta pentru a regla roata pentru nivelare dacă este instabilă).
- Spațiul superior al răcitorului trebuie să fie mai mare de 30 cm, iar distanța de la ambele părți și din spate trebuie să fie mai mare de 10 cm pentru a facilita disiparea căldurii.
- Acest răcitor trebuie instalat independent și nu poate fi utilizat încorporat. În caz contrar, va cauza probleme cum ar fi neinstalarea în dulap, performanța și durata de viață a produsului sunt reduse. Producătorul nu oferă garanția de bază a produsului.



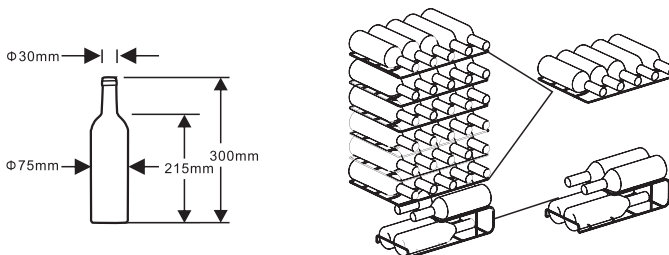
Utilizare

- După transport, lăsați răcitorul de vin să stea mai mult de 2 ore înainte de a porni alimentarea, altfel va duce la o scădere a capacității de răcire sau o deteriorare a răcitorului de vinuri. Răcitorul trebuie să stea timp de o jumătate de oră înainte de a conecta curentul atunci când este pornit pentru prima dată. Curățați camera interioară înainte de a fi pusă în funcțiune pentru prima dată.
- Vă rugăm să scoateți ștecherul în caz de pană de curent sau de curățare. Nu conectați răcitorul de vin la sursa de alimentare în decurs de cinci minute pentru a preveni deteriorarea compresorului din cauza pornirilor succesive.
- În procesul de lucru la compresor, pe pereții din spate al compartimentului frigorific se vor forma picături de apă sau îngheț, ceea ce este un fenomen normal. După o perioadă de timp, gheața se va topi în apă și va curge în tava de apă pentru a se evapora.
- Nu conectați răcitorul la ștecherul electronic de economisire a energiei și la un convertor care poate converti DC în AC (de exemplu: sistem de energie solară, rețea navei).

Poziționarea sticlelor

- Nu lăsați sticla să atingă partea din spate a răcitorului de vin pentru a menține o bună circulație a aerului în frigider.
- Numărul de sticle poate fi diferit în funcție de sticlele de diferite forme și dimensiuni.
- Capacitatea de depozitare a sticlelor în dulapul de vin se bazează pe următoarea dimensiune a sticlei marcate.

Sticla supradimensionată poate avea impact asupra numărului de sticle depozitate în dulapul pentru vinuri.



Imaginea de mai sus este doar orientativă. Configurația depinde de starea fizică a produsului sau declarația distribuitorului.

Abilități practice pentru depozitarea vinului de struguri

- Nu păstrați vinul îmbuteliat în cutie sau cutie în frigider.
- Dopul de plută al sticlei vechi va fi întotdeauna înmuiat în vin atunci când este pus în răcitor. Nu este permis spațiu între vin și plută.
- Raftul pentru sticle de tip deschis este de ajutor, deoarece nu întrerupe circulația aerului. Umiditatea aerului care s-a condensat pe sticlă poate fi uscată rapid.
- Vinul trebuie să fie băut: cum ar fi vinul roșu roz pe masă cu 2-5 ore înainte de băut și vinul roșu 4-5 ore, apoi poate atinge temperatura de servire adecvată. Vinul alb, dimpotrivă, poate fi servit chiar pe masă. Șampania trebuie păstrată întotdeauna în frigider și scoasă numai înainte de a fi băută.
- Vă rugăm să rețineți că temperatura vinului este întotdeauna mai mică decât temperatura ideală de servire, deoarece temperatura va crește imediat cu 1 până la 2°C când este turnat în pahar.

Temperatura de servire

Gustul vinului depinde de temperatura corectă de turnare; prin urmare îi determină aroma. Vă sugerăm ca temperatura vinului să atingă următorul grad la turnare:

Tip de vin	Temperatură servire
Bordeaux roșu	18°C
Vin roșu sec Louis Family /Barolo	17°C
Burgundy roșu /Bordeaux roșu	16°C
Port	15°C
Young Burgundy roșu	14°C
Vin roșu tânăr	12°C
Beaujolais tânăr/toate vinurile albe cu puțin zahăr	11°C
Vinuri albe vechi/Chardonnay	10°C
Sherry	9°C
Vinuri albe tinere din recolta târzie	8°C
Vinuri albe Loire/Entre-deux-Mers	7°C

Recomandări pentru economisirea de energie

- Răcitorul va fi plasat într-o cameră uscată și ventilată. Răcitorul nu poate fi pus sub lumina directă a soarelui sau lângă surse de căldură (cum ar fi radiatorul, aragazul etc.), iar dacă este necesar, trebuie aplicată o placă izolatoare adecvată.
- Încercați să scurtați timpul de deschidere al ușii răcitorului.

ÎNTREȚINEREA RĂCITORULUI

Deconectați răcitorul de vin

Deconectați ștecherul pentru a deconecta răcitorul.

Nu mai folosiți răcitorul de vin

Dacă răcitorul a rămas nefolosit o perioadă lungă de timp, vă rugăm:

1. Deconectați răcitorul;
2. Curățați răcitorul;
3. Țineți ușa răcitorului deschisă.

Curățați răcitorul de vin

- Praful din spatele răcitorului de vin și de pe sol trebuie curățat în timp util pentru a îmbunătăți efectul de răcire și a economisi energie.
- Verificați în mod regulat garnitura ușii pentru a vă asigura că nu există resturi. Curățați garnitura ușii cu o cârpă moale umezită cu apă cu săpun sau detergent diluat.
- Interiorul răcitorului de vin trebuie curățat în mod regulat pentru a evita mirosul.
- Vă rugăm să opriți alimentarea înainte de curățare, scoateți băuturile, rafturile etc.
- Folosiți o cârpă moale sau un burete pentru a curăța interiorul răcitorului de vin, cu două linguri de bicarbonat de sodiu și un litru de apă caldă. Apoi clătiți cu apă și uscați cu o cârpă moale. După curățare, deschideți ușa și lăsați-o să se usuce natural înainte de a porni.
- Pentru zonele greu de curățat în răcitorul de vin (cum ar fi rafturi înguste, goluri sau colțuri), se recomandă să le ștergeți în mod regulat cu o cârpă moale, perie moale etc. și atunci când este necesar, combinate cu unele unelte auxiliare (cum ar fi bețișoarele subțiri) pentru a vă asigura că nu se acumulează contaminanți sau bacterii în aceste zone.
- Nu folosiți săpunuri, detergenți, spray-uri de curățare etc. pentru a curăța interiorul frigiderului, deoarece acestea pot crea mirosuri sau contaminare.
- Curățați rafturile cu o cârpă moale umezită cu apă cu săpun sau detergent diluat. Apoi clătiți cu apă și uscați cu o cârpă moale sau uscați natural.
- Suportul de vin din lemn nu trebuie scufundat direct în lichid pentru a preveni crăparea sau mușcarea după umezeală. Raftul de vin din lemn se curăță cu o cârpă moale și uscată. Suportul pentru vinuri din lemn puternic contaminat trebuie curățat cu o cârpă moale care a fost stoarsă și uscat în mod natural.
- Ștergeți suprafața exterioară a răcitorului de vin cu o cârpă moale umezită cu apă și săpun, detergent etc., apoi ștergeți-l. Nu frecăți și nu zgăriați suprafața ușii de sticlă pentru a preveni spargerea sau zgărirea ușii.
- Nu utilizați perii dure, bile de oțel curate, perii de sârmă, abrazive (cum ar fi pasta de dinți), solvenți organici (cum ar fi alcool, acetonă, ulei de banane etc.), apă clocotită, soluții acide sau alcaline, care pot deteriora suprafața și interiorul. Apa clocotită și solvenții organici, cum ar fi benzenul, pot deteriora piesele din plastic.
- Nu clătiți direct cu apă sau alte lichide în timpul curățării pentru a evita scurtcircuitele sau pentru a afecta izolația electrică după imersare. Apa nu trebuie să înmoaie elementele de comandă de operare și sistemul de iluminat în ușa de sticlă.

Înștiințare:

Nu utilizați detergent și solvent cu nisip sau acid.

DEPANARE

Nu funcționează	Dacă răcitorul este conectat și conectat la curent; Voltaj scăzut; Dacă butonul de control al temperaturii se află în zona de lucru; Defecțiune sau circuit de declanșare.
Funcționarea compresorului mult timp	Este normal ca răcitorul să funcționeze mai mult timp vara când temperatura mediului ambiant este mai mare; Nu puneți prea multe băuturi în frigider; Deschiderea frecventă a ușii răcitorului.
Lumina nu funcționează	Dacă răcitorul este conectat la curent, dacă indicatorul luminos este deteriorat.
Zgomote anormale	Dacă podeaua este plată, dacă amplasarea răcitorului este stabilă; Dacă accesoriile răcitorului sunt amplasate corect.
Supraîncălzire perete Condens la suprafață	Carcasa rece poate emite căldură în timpul funcționării în special vara, aceasta este cauzată de radiația condensatorului și este un fenomen normal. Condens: fenomenul de condens va fi detectat pe suprafața exterioară și pe garniturile ușilor răcitorului atunci când umiditatea ambiantă este ridicată, acesta este un fenomen normal, iar după ștergerea cu un prosop, crește corect temperatura setată a aparatului.
Sunet aer Zgomot Zăngănit	Agenții frigorifici care circulă în liniile de agent frigorific vor produce erupții de sunet și mormăit, ceea ce este normal nu afectează efectul de răcire. Zgomotul va fi generat de pornirea compresorului, în special la pornire sau oprire. Supapa solenoidală sau supapa de comutare electrică va zburcua, ceea ce este un fenomen normal și nu afectează funcționarea.

Avvertimente pentru eliminare



Refrigerantul și materialul spumant ciclopentan utilizat pentru frigider sunt inflamabile. Prin urmare, atunci când frigiderul este curățat, acesta va fi ținut departe de orice sursă de incendiu și va fi recuperat de o firmă specială de recuperare cu calificare corespunzătoare, și nu va fi eliminat prin ardere, pentru a preveni deteriorarea mediului sau orice alte daune.



Când frigiderul este aruncat, dezasamblați ușile și îndepărtați garnitura ușii și a raftului; puneți ușile și rafturile într-un loc corespunzător, astfel încât să preveniți blocarea oricărui copil.



Eliminarea corectă a acestui produs:

Acest marcaj indică faptul că acest produs nu trebuie aruncat împreună cu alte deșeuri menajere în întreaga UE. Pentru a preveni posibilele daune aduse mediului sau sănătății umane de la eliminarea necontrolată a deșeurilor, reciclați-l în mod responsabil pentru a promova reutilizarea durabilă a resurselor materiale. Pentru a returna dispozitivul folosit, vă rugăm să utilizați sisteme de returnare și colectare sau contactați distribuitorul de unde a fost achiziționat produsul. Ei pot lua acest produs pentru reciclare sigură pentru mediu.

Fișă cu informații despre produs

REGULAMENTUL DELEGAT (UE) 2019/2016 AL COMISIEI cu privire la etichetarea energetică a aparatelor frigorifice

Denumirea sau marca comercială a furnizorului: Tesla

Adresa furnizorului: Tesla Electronics, Litijaska 47, 1000 Ljubljana, SI

Identificatorul de model: RW092M

Tipul de aparat frigorific:

Aparat cu nivel redus de zgomot:	Nu	Tip de proiectare:	de sine stătător
Aparat pentru păstrarea vinului:	Da	Alt aparat frigorific:	Nu

Parametrii generali ai produsului:

Parametru	Valoare	Parametru	Valoare
Dimensiuni globale (milimetri)	Înălțime	Volum total (dm ³ sau l)	93
	Lățime		
	Adâncime		
EEl	178	Clasa de eficiență energetică	G
Emisiile acustice în aer [dB(A) re 1 pW]	40	Clasa emisiilor de zgomot transmis prin aer	C
Consumul anual de energie (kWh/a)	145	Clasa climatică:	temperată extinsă, temperată, subtropicală
Temperatura ambiantă minimă (°C) pentru care este adecvat aparatul frigorific	10	Temperatura ambiantă maximă (°C) pentru care este adecvat aparatul frigorific	38
Reglaj de iarnă	Nu		

Parametri ai compartimentelor:

Tipul de compartiment	Parametrii și valorile compartimentului		
	Volumul compartimentului (dm ³ sau l)	Reglajul recomandat al temperaturii pentru o păstrare optimizată a alimentelor (°C) Aceste reglaje nu trebuie să fie în contra-	Capacitatea de congelare (kg/24h)

			dicție cu condițiile de depozitare specificate în tabelul 3 din anexa IV		
Cămară	Nu	-	-	-	-
Păstrarea vinului	Da	93,0	-	-	M
Cramă	Nu	-	-	-	-
Alimente proaspete	Nu	-	-	-	-
Răcire	Nu	-	-	-	-
Fără stele sau pentru prepararea gheții	Nu	-	-	-	-
1 stele	Nu	-	-	-	-
2 stele	Nu	-	-	-	-
3 stele	Nu	-	-	-	-
4 stele	Nu	-	-	-	-
Secțiune cu 2 stele	Nu	-	-	-	-
Compartiment cu temperatură variabilă	-	-	-	-	-
În ceea ce privește aparatele pentru depozitarea vinului					
Numărul de sticle de vin standard			34		
Parametrii sursei de lumină:					
Tipul sursei de lumină			LED		
Clasa de eficiență energetică			-		
Durata minimă a garanției oferite de producător: 24 luni					
Informații suplimentare:					
Link către site-ul web al producătorului, unde se găsesc informațiile de la punctul 4 litera (a) din anexa la Regulamentul (UE) 2019/2019 al Comisiei: tesla.info					

OPOZORILA GLEDE VARNOSTI

PRIPOROČILA:

- Ta gospodinjiski aparat je predviden za uporabo v gospodinjstvu in temu podobnih okoljih, kot so kuhinje za osebe v trgovinah, pisarnah in drugih delovnih okoljih, kmetije ter hoteli, moteli in nastanitve drugih vrst, v katerih je ta aparat na voljo gostom, nastanitve za nočitvijo in zajtrkom ter catering in podobni načini uporabe, ki niso namenjeni prodaji.
- Ta aparat ni namenjen osebam (vključno z otroki) s telesnimi, senzoričnimi ali duševnimi okvarami ali pa osebam brez izkušenj in znanja, razen če so pod nadzorom osebe, ki je odgovorna za njihovo varnost, ali pa jim je ta oseba podala navodila za uporabo aparata.
- Da se otroci zagotovo ne bodo igrali z aparatom, jih je treba nadzorovati.
- Če je napajalni kabel poškodovan, ga mora zaradi preprečevanja nevarnosti zamenjati proizvajalec, proizvajalec pooblaščen servisler ali podobno usposobljena oseba.
- V tem gospodinjiskem aparatu ne shranjujte eksplozivnih snovi, kot so aerosolne pločevinke z vnetljivim potisnim plinom.
- Ko uporabnik neha uporabljati gospodinjiski aparat in preden opravi njegovo vzdrževanje, ga mora odklopiti z napajanja.
- Poskrbite, da odprtine za prezračevanje v okrovu aparata ali v vgrajeni strukturi ne bodo zamašene.
- Odtaljevanja ne poskušajte pospeševati z mehanskimi napravami ali z drugimi sredstvi, razen s tistimi, ki jih priporoča proizvajalec.
- Ne poškodujte krogotoka hladilne tekočine.
- V predelkih za shranjevanje živil ne uporabljajte električnih naprav, razen če so takšne vrste, ki jo priporoča proizvajalec.
- Hladilnik odstranite v skladu z lokalnimi predpisi, saj so za njegovo delovanje uporabljeni vnetljivi eksplozivni plini in hladilna tekočina.
- Pri nameščanju aparata poskrbite, da napajalni kabel ne bo zagozden ali poškodovan.
- Na zadnji strani aparata ne nameščajte prenosnih električnih razdelilnikov z več vtičnicami ali prenosnih napajalnikov.
- NE uporabljajte podaljševalnih kablov ali neozemljenih adapterjev (z dvema poloma).
- Nevarnost! Obstaja tveganje za ptarjenje otroka v notranjost aparata. Preden stari hladilnik ali zamrzovalno omaro odstranite:
 - Snemite vrata.
 - Police pustite znotraj aparata, tako da otroci ne bodo mogli zlahka splezati vanj.
- Preden poskušate namestiti dodatno opremo, morate hladilnik odklopiti z vira električnega napajanja.
- Hladilno sredstvo in penasta snov ciklopentan, ki se uporabljata pri aparatu, sta vnetljiva. Zato je treba pri uničevanju aparata poskrbeti, da aparat ni v bližini nobenega vira ognja in da ni odstranjen s sežiganjem, ampak ga predela posebno podjetje za predelavo, ki ima ustrezne kvalifikacije, tako da ne pride do škode za okolje ali kakršne koli druge škode.
- Pri vratih ali pokrovih, na katerih so nameščene ključavnice s ključi, je treba poskrbeti, da ključi ne bodo na dosegu otrok in da ne bodo v bližini hladilnega aparata, tako da se otroci ne bodo mogli zakleniti vanj.
- Ta aparat lahko uporabljajo otroci, stari 8 in več let, ter osebe s telesnimi, senzoričnimi ali duševnimi okvarami ali pa osebe brez izkušenj in znanja, če so pod nadzorom ali pa so jim bila podana navodila za varno uporabo aparata in če razumejo nevarnosti, povezane z njegovo uporabo. Otroci se z aparatom ne smejo igrati. Brez nadzora otroci aparata ne smejo čistiti in ga vzdrževati. Otrokom, stari od 3 do 8 let, je v hladilne aparate dovoljeno dajati živila in jih jemati iz njih.
- Pri prostostoječem aparatu: ta hladilni aparat ni namenjen temu, da bi bil uporabljen kot vgradni aparat.
- Pri aparatih za shranjevanje vina: ti aparati so namenjeni izključno shranjevanju vina.
- Predvideno je, da kakršno koli zamenjavo ali vzdrževanje sijalk LED izvede proizvajalec, njegov servisni zastopnik ali podobno usposobljena oseba.

Pomen simbolov opozoril glede varnosti



To je simbol prepovedi. Če se pojavi kakršna koli neskladnost z navodili, ki so označena s tem simbolom, se lahko izdelek poškoduje ali pa je ogrožena uporabnikova lastna varnost.



To je simbol opozorila. Delovanje mora biti strogo v skladu z navodili, ki so označena s tem simbolom, sicer se lahko izdelek poškoduje ali pa je ogrožena uporabnikova lastna varnost.



To je simbol svarila. Pri navodilih, označenih s tem simbolom, je potrebna posebna previdnost. Zaradi nepredvidnosti lahko pride do rahlih ali zmernih telesnih poškodb ali pa poškodb izdelka.

V tem priročniku je veliko pomembnih varnostnih informacij, ki jih morajo uporabniki upoštevati.

Opozorila, povezana z elektriko

- Ko vlečete vtič napajalnega kabla hladilnika za vino iz vtičnice, ne vlecite kabla. Čvrsto primite vtič in ga neposredno izvlecite iz vtičnice.
- Da bo uporaba varna, pod nobenim pogojen ne poškodujte napajalnega kabla; če je napajalni kabel poškodovan ali je vtič obrabljen, aparata ne uporabljajte.
- Obrabljeni ali poškodovani napajalni kabel morajo zamenjati v vzdrževalnih centrih, ki jih je pooblastil proizvajalec.
- Napajalni kabel mora biti trdno priključen v vtičnico, sicer lahko pride do požara. Poskrbite, da bo ozemljitveni pol napajalne vtičnice priklopljen na zanesljiv ozemljitveni vod.
- Če pušča plin ali drugi vnetljivi plini, izklopite ventil za ta plin ter nato odprite vrata in okna. Hladilnika za vino in drugih električnih aparatov ne odklopite, saj iskra lahko povzroči požar.
- Da zagotovite varnost, na vrh hladilnika za vino ni priporočljivo postavljati vtičnic, regulatorjev, kuhalnikov riža, mikrovalovnih pečic in drugih aparatov, v kar pa niso vključeni tisti aparati, ki jih priporoča proizvajalec. V shrambi za živila ne uporabljajte električnih aparatov.

Opozorila glede uporabe

- Hladilnika za vino ne razstavljajte in ne sestavljajte po lastni presoji ter ne poškodujte tokokroga hladilne tekočine; vzdrževanje aparata lahko izvaja le strokovnjak.
- Da preprečite nevarnost, mora poškodovani napajalni kabel zamenjati proizvajalec, njegov oddelek za vzdrževanje ali sorodni strokovnjaki.
- Reže med vrati hladilnika za vino ter med vrati in ohišjem hladilnika za vino so ozke; da preprečite stisnjenje prstov, pazite, da z rokami ne boste posegali v ta območja. Vrata hladilnika za vino zapirajte in odpirajte nežno, da predmeti ne bodo padli ven.
- Embalaže in drugih sestavnih delov ne dajajte otrokom, da bi se z njimi igrali. Zaradi ukrivljene plošče in plastične folije lahko pride do zadušitve! Otrokom ne dovolite vstopanja v hladilnik za vino in plezanja nanj ter preprečite, da bi biti zaprti v njem ali da bi se poškodovali, če bi padel.
- Hladilnika za vino ne pršite in ne spirajte; da ne poslabšate lastnosti električne izolacije hladilnika za vino, ga ne postavljajte v vlažne prostore, kjer ga lahko poškropi voda.
- Ohišja in vrat hladilnika za vino ter podobnega ne uporabljajte kot pedala ali podpore.
- Na vrh hladilnika za vino ne postavljajte težkih predmetov, saj lahko ti pri zapiranju ali zapiranju vrat padejo in lahko pride do nenamernih poškodb.

Opozorila glede nameščanja predmetov

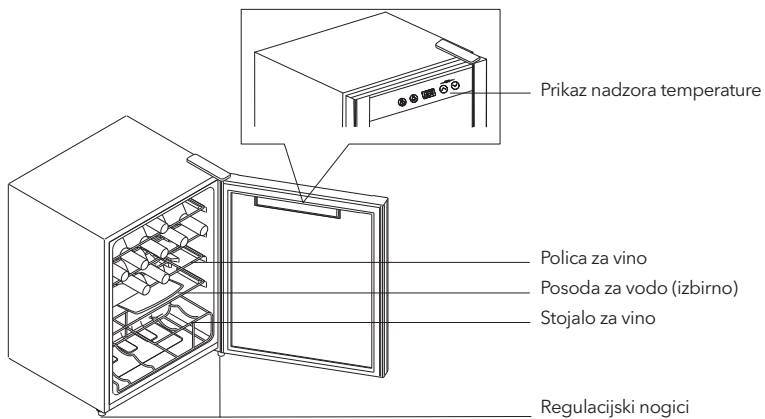
- Da preprečite poškodbe izdelka ali požar, v hladilnik za vino ne postavljajte vnetljivih, eksplozivnih, hlapnih in močno korozivnih predmetov.
- Da preprečite požar, v bližino hladilnika za vino ne postavljajte vnetljivih predmetov.
- Ta izdelek je hladilnik za vino za uporabo v gospodinjstvu in ta aparat je mogoče uporabljati le za shranjevanje vina. V skladu s standardnimi zahtevami hladilnika za vino za uporabo v gospodinjstvu ne smete uporabljati za druge namene, kot je shranjevanje krvi, zdravil ali bioloških proizvodov.

Opozorila glede energije

1. Hladilnik za vino ne bo dosledno deloval, če bo dlje časa deloval pri temperaturi, nižji od tiste, za katero je bil zasnovan.
2. Pri kateri koli vrsti vina ne smete preseči časov shranjevanja, ki jih priporočajo proizvajalci vin.
3. Pri odtaljevanju hladilnika za vino izvedite previdnostne ukrepe, da preprečite pretiran dvig temperature vina.
4. Treba je upoštevati dejstvo, da se zaradi segrevanja vina med ročnim odtaljevanjem, vzdrževanjem ali čiščenjem rok shranjevanja lahko skrajša.

PRAVILNA UPORABA HLADILNIKA ZA VINO

Imena sestavnih delov



Zgornja slika je namenjena le ponazoritvi. Dejanska postavitve bo odvisna od fizičnega izdelka ali izjave distributerja.

- Priporočena temperatura je 12 °C; pazite, da boste stojalo za vino ohranjali v prvotnem stanju.
- Vlažnost v notranjosti v predelku za vino je od 50 % do 80 %. (Za EU.)
- Temperatura v hladilniku za vino je 5-18 °C; uporablja se le za shranjevanje neodprtega vina (rdečega in belega vina ter rozeja).
- Da preprečite kontaminacijo z bakterijami, v hladilnik ne postavljajte živil.
- Poskrbite, da bo notranjost hladilnika za vino suha; ustekleničeno vino uživajte, preden preteče rok trajanja.

Nadzor temperature



Zgornja slika je namenjena le ponazoritvi. Dejanska postavitev bo odvisna od fizičnega izdelka ali izjave distributerja.

Nadzor prikaza

Ob prvem vklopu hladilnika za vino bo prikaz na zaslonu 3 sekunde prikazan v celoti in oglasil se bo zvok za začetek, nato pa bo prikaz preklopil na normalno delovanje.

V zaklenjenem stanju se bo prikazni zaslon izklopil, če 30 sekund ne bo pritisnjena nobena tipka; če bo pritisnjena katera koli tipka, bo preklopil v normalni prikaz.



Pri tem hladilniku so steklena vrata nadzorovana z dotikom. Tipke pritisčajte z rahlim dotikom. Preprečiti morate, da bi območje prikazne plošče opraskali ostri predmeti, poskrbeti pa morate tudi, da ne bo v bližini močnih magnetnih polj in območij z visoko vlažnostjo. V nasprotnem primeru hladilnika ne bo mogoče normalno nastaviti in ne bo normalno deloval.

Zaklepanje in odklepanje

V zaklenjenem stanju pritisnite tipko za zaklep (🔒) in jo neprekinjeno držite 3 sekunde; zaklep bo sproščen in prikazno območje bo začelo utripati.

V nezaklenjenem stanju (🔒) pritisnite tipko za zaklep in jo držite 3 sekunde, da preklopite v zaklenjeno stanje.

V nezaklenjenem stanju se bodo razen funkcije osvetljevanja izvajale naslednje funkcije.

Osvetlitev

Pritisnite tipko stikala za luč (💡), da vklopite ali izklopite osvetlitev.

Preklop med prikazom temperature v stopinjah Fahrenheita in Celzija

Da preklopite prikaz temperature med prikazom v stopinjah Fahrenheita in Celzija, hkrati pritisnite tipki za zvišanje (⬆️) in znižanje (⬇️) temperature; na prikaznem območju bo prikazana nastavev temperature v stopinjah Fahrenheita ali Celzija v trenutnem načinu.

Nastavev temperature

Pritisnite tipko za zvišanje temperature (⬆️); temperatura se bo zvišala za 1 °C (ali °F). Po zaklepu bo hladilnik deloval glede na nastavljeno vrednost.

Pritisnite tipko za znižanje temperature (⬇️); temperatura se bo znižala za 1 °C (ali °F). Po zaklepu bo hladilnik deloval glede na nastavljeno vrednost.



Razpon nastavljanja temperature v stopinjah Celzija 5 °C~18 °C ; razpon nastavljanja temperature v stopinjah Fahrenheita: 41 °F~65 °F.

Funkcija pomnjenja

Hladilnik ima funkcijo pomnjenja ob izklopu. Po ponovnem vklopu bo deloval glede na nastavev pred izklopom.

Prikaz napak

Če je na prikaznem območju prikazana oznaka iz naslednje tabele, se je pri hladilniku pojavila napaka.

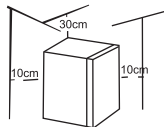
Koda napake	E1	E4
Opis	Pri senzorju temperature hladilnika za vino je prišlo do napake.	Pri senzorju oddaljevanja hladilnika za vino je prišlo do napake.



Če je na zaslonu prikazana zgoraj omenjena napaka, hladilnika za vino ne razstavljajte sami, da bi ga popravili. Za vzdrževanje se obrnite na specializirano vzdrževalno osebje ali lokalno podjetje za prodajne storitve.

Postavitev

- Pred uporabo hladilnika odstranite vso embalažo, vključno s spodnjimi blazinicami, blazinicami iz pene in trakovi v notranjosti hladilnika, ter odstranite zaščitno folijo na vratih in ohišju hladilnika.
- Poskrbite, da ne bo v bližini neposredne sončne svetlobe in virov toplote, kot so štedilnik, grelni radiator itd.
- Hladilnik postavite v dobro prezračen notranji prostor; tla morajo biti ravna in trdna (če je hladilnik nestabilen, kolesce za izravnavanje zavrtite v levo ali v desno).
- Prostor nad hladilnikom mora biti višji od 30 cm, razdalja do sten na obeh straneh in zadaj pa mora zaradi boljšega oddajanja toplote znašati več kot 10 cm.
- Ta hladilnik je treba namestiti kot prostostoječi in ga ni mogoče uporabiti kot vgradnega. V nasprotnem primeru bo prišlo do težav, kot so neuspela vgradnja v omarico, zmanjšana zmogljivost in krajša življenjska doba izdelka. Poleg tega proizvajalec ne zagotavlja osnovne garancije za izdelek.

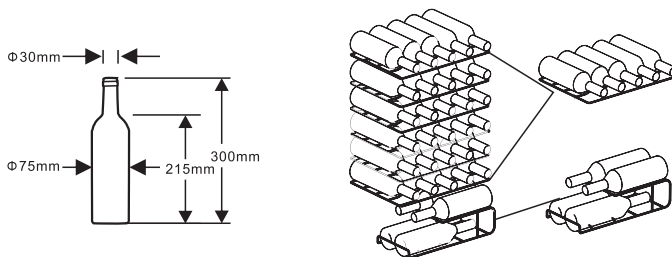


Začetek uporabe

- Hladilnik za vino naj po prevozu počaka več kot 2 uri, preden ga boste vklopili, sicer bo zmogljivost hlajenja manjša ali pa se bo poškodoval. Ob prvem vklopu hladilnika za vino morate počakati pol ure, preden ga priklopite na napajanje. Preden hladilnik prvič uporabite, očistite notranjo komoro.
- Pri izpadu napajanja ali čiščenju izvlecite vtič. Da preprečite poškodbe kompresorja zaradi zaporednih zagonov, počakajte pet minut, preden hladilnik za vino spet priklopite na napajanje.
- Med delovanjem kompresorja se bodo na zadnji steni hlajenega predelka pojavile vodne kapljive ali zmrzal, kar je normalen pojav. Po določenem času se bo zmrzal stalila in spremenila v vodo, ki bo stekla v posodo za vodo in izhlapela.
- Hladilnika ne priklopite na elektronski vtič za varčevanje z energijo in pretvornik, ki pretvarja enosmerni v izmenični tok (npr. za sistem za sončno energijo ali omrežje za plovilo).

Postavitev steklenic

- Da bo v hladilniku neoviran pretok zraka, naj se steklenica ne dotika zadnje strani hladilnika.
- Tu navedeno število steklenic je lahko pri steklenicah drugačnih oblik in velikosti drugačno.
- Zmogljivost shranjevanja steklenic v hladilniku za vino temelji na naslednji označeni velikosti steklenice. Če so steklenice prevelike, to lahko vpliva na število shranjenih steklenic v hladilniku za vino.



Zgornja slika je namenjena le ponazoritvi. Dejanska postavitev bo odvisna od fizičnega izdelka ali izjave distributerja.

Praktični napotki za shranjevanje vina

- Ustakleničenega vina v hladilniku ne shranjujte v škatli ali zaboji.
- Ko odprto steklenico postavite v hladilnik za vino, mora plutovinasti zamašek vedno segati pod nivo vina. Med vinom in pluto ne sme biti zraka.
- Odprta polica za steklenice je koristna, ker ne blokira pretoka zraka. Zračna vlaga, ki kondenzira na steklenici, se lahko hitro posuši.
- Pred uživanjem vina: vino roze na mizo postavite 2-5 ur pred uživanjem, rdeče vino pa 4-5 ur, da bo doseglo primerno temperaturo serviranja. Obratno pa lahko belo vino postrežete takoj, ko ga iz hladilnika postavite na mizo. Šampanjec morate vedno hraniti v hladilniku in ga iz njega vzeti šele tik pred uživanjem.
- Ne spreglejte, da mora biti temperatura vina vedno nižja od idealne temperature serviranja, saj se bo ob nalivanju v kozarec takoj zvišala za 1 do 2 °C.

Temperatura serviranja

Okus vina je odvisen od pravilne temperature ob nalivanju, zato ta določa njegov okus. Priporočamo, da vino ob nalivanju doseže naslednjo temperaturo:

Vrste vina	Temperatura serviranja
Rdeči bordeaux	18°C
Suho rdeče vino Louis Family/Barolo	17°C
Rdeči burgundec/rdeči bordeaux	16°C
Portovec	15°C
Mladi rdeči bordeaux	14°C
Mlado rdeče vino	12°C
Mladi Beaujolais/vsa bela vina z malo preostalega sladkorja	11°C
Stara bela vina/Chardonnay	10°C
Šeri	9°C
Mlada bela vina pozne trgatve	8°C
Bela vina iz doline Loire/območja Entre-deux-Mers	7°C

Nasveti za varčevanje z energijo

- Hladilnik morate postaviti v suh in prezračen prostor. Hladilnika ne smete postaviti na neposredno sončno svetlobo ali blizu vira toplote (kot je radiator, štedilnik itd.) in po potrebi morate uporabiti primerno izolacijsko ploščo.
- Čas, ko so vrata hladilnika odprta, naj bo čim krajši.

VZDRŽEVANJE HLADILNIKA ZA VINO

Odklopite hladilnik za vino.

Da odklopite hladilnik za vino, izklopite napajalni vtič.

Hladilnik za vino prenehajte uporabljati.

Če hladilnik dolgo časa ne bo v uporabi:

1. odklopite hladilnik z napajanja;
2. očistite ga;
3. pustite vrata hladilnika odprta.

Čiščenje hladilnika za vino

- Za večji učinek hlajenja in varčevanje z energijo je treba prah za hladilnikom za vino in na tleh redno čistiti.
- Redno preverjajte tesnilo na vratih, da se na njem ne bo nabirala umazanija. Tesnilo na vratih očistite z mehko krpo, namočeno v milnico ali razredčeni detergent.
- Da preprečite neprijetne vonjave, morate redno čistiti tudi notranjost hladilnika za vino.
- Pred čiščenjem notranjosti izklopite napajanje ter odstranite vso pijačo, police itd.
- Notranjost hladilnika za vino očistite z mehko krpo ali gobo, namočeno v mešanico dveh čajnih žličk sode bikarbone in četrt litra tople vode. Nato jo obrišite z vlažno krpo, namočeno v vodo, in z mehko krpo obrišite do suhega. Po čiščenju odprite vrata in pustite, da se notranjost osuši na zraku, preden znova vklopite napajanje.
- Območja, ki jih je v hladilniku za vino težko očistiti (ozke prostore, reže ali kote), je priporočljivo redno brisati z mehko krpo, mehko krtačko itd., po potrebi pa z dodatnimi pripomočki (kot so tanke paličice), da se v njih ne bodo nabirala onesnaževala ali bakterije.
- Za čiščenje notranjosti hladilnika ne uporabljajte mil, detergentov, čistil v obliki pršila itd., ker lahko pustijo neprijetne vonjave ali hladilnik kontaminirajo.
- Police očistite z mehko krpo, namočeno v milnico ali razredčeni detergent. Nato jo obrišite z vlažno krpo, namočeno v vodo, in z mehko krpo obrišite do suhega ali pa pustite, da se posuši na zraku.
- Lesenih polic za vino ne smete potapljati v vodo, da preprečite pokanje ali plesen zaradi vlage. Lesene police za vino čistite z mehko suho krpo. Če je lesena polica za vino močno umazana, jo morate očistiti z mehko ožeto krpo.
- Zunanjo površino hladilnika za vino očistite z mehko krpo, namočeno v milnico, detergent itd., nato pa jo obrišite do suhega. Površine steklenih vrat ne drgnite in ne praskajte, da se ne zlomijo in ne opraskajo.
- Ne uporabljajte trdih krtač, jeklenih gobic za čiščenje, žičnih krtač, abrazivnih sredstev (kot je zobna pasta), organskih topil (kot je alkohol, aceton, bananino olje itd.), vrele vode ali pa kislinskih ali alkalnih sredstev, ki lahko poškodujejo površino in notranjost hladilnika za vino. Z vrelo vodo in organskimi topili, kot je benzen, se plastični deli lahko deformirajo ali poškodujejo.
- Med čiščenjem ne izplakujte neposredno z vodo ali drugimi tekočinami, da preprečite kratke stike ali poškodbe električne izolacije, ki bi nastale med prelitjem z vodo. Kontrolnikov za upravljanje in sistema za osvetlitev v steklenih vratih ne smete namakati v vodo.

Obvestilo:

Ne uporabljajte abrazivnih ali kislinskih detergentov in topil.

ODPRAVLJANJE TEŽAV

Ne deluje.	Preverite, ali je hladilnik priključen in priključen na napajanje; niska napetost; preverite, ali je gumb za nadzor temperature v delovnem območju; okvara napajanja ali tokokroga za prekinitev;
Dolgotrajno delovanje kompresorja	Poleti, ko je temperatura višja, je normalno, da hladilnik deluje dlje. Hkrati v hladilnik ne naložite preveč pijače; pogosto odpiranje vrat hladilnika.
Luč ne deluje.	Preverite, ali je hladilnik priključen na napajanje in ali je indikatorna lučka poškodovana.
Glasi hrup	Preverite, ali so tla ravna in ali je hladilnik stabilen; preverite, ali je dodatna oprema hladilnika pravilno nameščena.
Pregrevanje na stranskem delu Kondenzacija na površini	Med delovanjem, zlasti poleti, lahko ohišje hladilnika oddaja toploto; vzrok je sevanje kondenzatorja in gre na normalen pojav. Kondenzacija: ko je vlažnost okoljskega zraka visoka, je na zunanji površini in tesnili vrat hladilnika mogoče opaziti kondenzacijo – gre za normalen pojav; ko boste vodne kapljice obrisali s krpo, bo temperatura aparata pravilno nastavljena.
Zvok pretoka zraka Brenčanje Ropotanje	Zaradi hladilnih sredstev, ki krožijo po ceveh za hladilno sredstvo, se pojavljajo zvoki in škripanje, kar je normalno in ne vpliva na učinek hlajenja. Brenčanje povzroča delujoči kompresor, zlasti ob zagonu ali izklopu. Elektromagnetni ventil ali ventil z električnim stikalom ropota, kar je normalno in ne vpliva na delovanje.

Opozorila glede odstranjevanja



Hladilna tekočina in penasta snov ciklopentan, ki se uporabljata pri hladilniku za vino, sta vnetljivi. Zato je treba pri uničevanju hladilnika za vino poskrbeti, da ni v bližini nobenega vira ognja in da ni odstranjen s sežiganjem, ampak ga predela posebno podjetje za predelavo, ki ima ustrezne kvalifikacije, tako da ne pride škode za okolje ali kakršne koli druge škode.



Ko odstranite hladilnik za vino, odstranite vrata – pri tem pazite, da si ne boste priščeplili rok –, odstranite tesnila vrat in police ter postavite vrata in police v primeren položaj, tako da otroci ne bodo mogli vstopiti v hladilnik in da preprečite nesrečo.



Pravilno odstranjevanje tega izdelka:

Ta oznaka kaže, da tega izdelka ni dovoljeno odlagati skupaj z drugimi gospodinjstvi odpadki. Za preprečitev morebitne škode za okolje ali zdravje ljudi, ki nastane zaradi nenadzorovanega odlaganja v okolju, izdelek odgovorno reciklirajte, da boste spodbujali trajnostno naravno ponovno uporabo virov surovin. Uporabljeno napravo vrnite prek sistemov za vračanje in zbiranje ali pa se obrnite na prodajalca, pri katerem ste izdelek kupili. Ta izdelek lahko prevzamejo in reciklirajo izdelek na način, ki je varen za okolje.

Informacijski list izdelka

DELEGIRANA UREDBA KOMISIJE (EU) 2019/2016 glede označevanja hladilnih aparatov z energijskimi nalepkami

ime dobavitelja ali blagovna znamka: Tesla

Naslov dobavitelja: Tesla Electronics, Litijaska 47, 1000 Ljubljana, SI

Identifikacijska oznaka modela: RW092M

Tip hladilnega aparata:

Nizkohrupni aparat:	Ne	Tip zasnov:	Prostostoječi
Aparat za shranjevanje vina	Da	Drug hladilni aparat:	Ne

Splošni parametri izdelka:

Parameter	Vrednost	Parameter	Vrednost
Skupne mere (v milimetrih)	Višina	Skupna prostornina (v dm ³ ali l)	93
	Širina		
	Globina		
EEL	178	Razred energijske učinkovitosti	G
Emisije akustičnega hrupa, ki se prenaša po zraku (dB(A) glede na 1 pW)	40	Razred emisij akustičnega hrupa, ki se prenaša po zraku	C
Letna poraba energije (kWh/a)	145	Klimatski razred:	razširjeni zmerni, zmerni, subtropski
Minimalna temperatura okolice (°C), za katero je hladilni aparat primeren	10	Maksimalna temperatura okolice (°C), za katero je hladilni aparat primeren	38
Zimska nastavitve	Ne		

Parametri predelka:

Tip predelka	Parametri in vrednosti predelka			
	Prostornina predelka (v dm ³ ali l)	Priporočena nastavitve temperature za optimizirano shranjevanje hrane (°C) Te nastavitve ne smejo biti v nasprotju s pogoji shranjevanja iz tabele 3 Priloge IV	Zmogljivost zamrzovanja (kg/24h)	Defrosting type (auto-defrost=A, manual defrost=M)
Šrmbni	Ne	-	-	-

Shranjevanje vina	Da	93,0	-	-	M
Kletni	Ne	-	-	-	-
Sveža hrana	Ne	-	-	-	-
Hlajenje	Ne	-	-	-	-
Brez zvezdic ali aparat za led	Ne	-	-	-	-
1 zvezdica	Ne	-	-	-	-
2 zvezdici	Ne	-	-	-	-
3 zvezdice	Ne	-	-	-	-
4 zvezdice	Ne	-	-	-	-
Predel z dvema zvezdicama	Ne	-	-	-	-
Predelek s spremenljivo temperaturo	-	-	-	-	-
Za aparate za shranjevanje vina					
Število standardnih vinskih steklenic			34		
Parametri svetlobnih virov:					
Vrsta svetlobnega vira			LED		
Razred energijske učinkovitosti			-		
Minimalno trajanje garancije za hladilni aparat, ki jo nudi proizvajalec: 24 mesecev					
Dodatne informacije:					
Spletna povezava na spletno mesto proizvajalca, na katerem so na voljo informacije iz točke 4(a) Priloge k Uredbi Komisije (EU) 2019/2019: tesla.info					

BEZBEDNOSNA UPOZORENJA

PREPORUKE:

- Ovaj uređaj je namenjen za upotrebu u domaćinstvu i sličnim aplikacijama kao što je npr kuhinjski prostori za osoblje u prodavnicama, kancelarijama i drugim radnim okruženjima; seoske kuće i od strane klijenata u hotelima, motelima i drugim okruženjima stambenog tipa; okruženja tipa noćenje i doručak; ugostiteljstvo i slične aplikacije koje nisu u maloprodaji.
- Ovaj uređaj nije namenjen za upotrebu od strane osoba (uključujući decu) sa smanjenim fizičkim, senzornim ili mentalnim sposobnostima ili nedostatkom iskustva i znanja, osim ako su bili pod nadzorom ili instrukciji u vezi sa upotrebom uređaja od strane osobe odgovorne za njihovu bezbednost.
- Decu treba nadzirati kako bi se osiguralo da se ne igraju sa uređajem.
- Ako je kabl za napajanje oštećen, mora ga zameniti proizvođač, njegov servisier ili slično kvalifikovane osobe kako bi se izbegla opasnost.
- Ne skladištite eksplozivne supstance kao što su aerosolne limenke sa zapaljivim gorivom u ovom uređaju.
- Aparat se mora isključiti iz utičnice nakon upotrebe i pre obavljanja korisničkog održavanja na uređaju.
- Otvore za ventilaciju, u kućištu uređaja ili u ugrađenoj konstrukciji, održavajte čistim od prepreka.
- Nemojte koristiti mehaničke uređaje ili druga sredstva za ubrzavanje procesa odmrzavanja, osim onih koje preporučuje proizvođač.
- Nemojte oštetiti krug rashladnog sredstva.
- Ne koristite električne uređaje unutar pregrada za odlaganje hrane u uređaju, osim ako nisu tipa koje preporučuje proizvođač.
- Molimo napustite frižider u skladu sa lokalnim regulatorima jer koristi zapaljivi gas i rashladno sredstvo.
- Kada postavljate uređaj, uverite se da kabl za napajanje nije zaglavio ili oštećen.
- Nemojte locirati više prenosivih utičnica ili prenosivih izvora napajanja na zadnjoj strani uređaja.
- Nemojte koristiti produžne kablove ili neuzemljene (dvokrake) adaptere.
- Opasnost Rizik od ukleštenja deteta. Pre nego što bacite stari frižider ili zamrzivač:
 - Skini vrata.
 - Ostavite police na mestu kako deca ne bi mogla lako da se popnu unutra.
- Frižider se mora isključiti iz izvora električne energije pre nego što pokušate da instalirate dodatnu opremu.
- Rashladno sredstvo i ciklopentan pene malarija koja se koristi za lha uređaj su zapaljivi.
- Zbog toga, kada se lha uređaj rashodi, on mora biti udaljen od bilo kakvog izvora požara i biti će vraćen od strane posebne kompanije za oporavak sa odgovarajućom kvalifikacijom osim da se odlaže sagorevanjem, kako bi se sprečila šteta po životnu sredinu ili bilo koja druga šteta.
- Neophodnost lha!, za vrata ili poklopce opremljene bravama i ključevima, lha ključeve čuvajte van domašaja dece i ne u blizini rashladnog uređaja, kako biste sprečili da deca budu zaključana unutra.
- Ovaj uređaj mogu da koriste deca uzrasta od 8 godina i više i osobe sa smanjenim fizičkim senzornim ili mentalnim sposobnostima ili nedostatkom iskustva i znanja ako su pod nadzorom ili instrukcije u vezi sa korišćenjem uređaja na bezbedan način i razumeju opasnosti uključeni. Deca se ne smeju igrati sa uređajem. Čišćenje i korisničko održavanje ne smeju da vrše deca bez nadzora. Deca uzrasta od 3 do 8 godina dozvoljeno je utovar i istovar rashladnih uređaja.
- Za samostojeci aparat: ovaj rashladni uređaj nije namenjen za upotrebu kao ugradni uređaj.
- Za uređaje za skladištenje vina: ovaj uređaj je namenjen isključivo za skladištenje vina.
- Svaka zamena ili održavanje LED lampe su namenjene da ih proizvodi proizvođač, njegov servisier ili slično kvalifikovano lice.

Značenje simbola sigurnosnog upozorenja



Ovo je simbol zabrane. Svako nepoštovanje uputstava označenih ovim simbolom može dovesti do oštećenja proizvoda ili ugroziti ličnu bezbednost korisnika.



Ovo je simbol upozorenja. Potrebno je da radite uz striktno poštovanje uputstava označenih ovim simbolom, inače može doći do oštećenja proizvoda ili povreda.



Ovo je simbol upozorenja. Uputstva označena ovim simbolom zahtevaju poseban oprez. Nedovoljan oprez može dovesti do lakših ili umerenih povreda ili oštećenja proizvoda.

Ovo uputstvo sadrži mnogo važnih bezbednosnih informacija koje korisnici moraju da poštuju.

Upozorenja u vezi sa strujom

- Nemojte povlačiti kabl za napajanje kada vučete utikač hladnjaka za vino. Čvrsto uhvatite utikač i izvucite ga direktno iz utičnice.
- Nemojte oštetiti kabl za napajanje ni pod kojim uslovima da biste obezbedili bezbednu upotrebu, nemojte ga koristiti kada je kabl za napajanje oštećen ili utikač istrošen.
- Istrošeni ili oštećeni kablovi za napajanje će se zameniti u servisnim stanicama koje je odobrio proizvođač.
- Kabl za napajanje treba da bude čvrsto u kontaktu sa utičnicom, inače može doći do požara. Uverite se da je elektroda za uzemljenje utičnice opremljena pouzdanom linijom za uzemljenje.
- Isključite ventil gasa koji curi, a zatim otvorite vrata i prozore u slučaju curenja gasa i drugih zapaljivih gasova. Ne isključujte hladnjak i druge električne uređaje s obzirom da varnica može izazvati požar.
- Radi sigurnosti, ne preporučuje se postavljanje utičnica, regulatora, šporeta za pirinač, mikrotalasnih pećnica i drugih uređaja na vrh hladnjaka za vino, oni koje preporučuje proizvođač nisu uključeni. Ne koristite električne uređaje u ostavi za hranu.

Upozorenje za upotrebu

- Nemojte proizvoljno rastavljati ili rekonstruisati hladnjak za vino, niti oštetiti krug rashladnog fluida; održavanje uređaja mora da obavlja specijalista.
- Oštećeni kabl za napajanje mora da zameni proizvođač, njegovo odeljenje za održavanje ili srodni stručnjaci kako bi se izbegla opasnost.
- Zazori između vrata hladnjaka i tela hladnjaka su mali, imajte na umu da ne stavljate ruku u ove oblasti kako biste sprečili da stisnete prst. Budite pažljivi kada zatvarate ili otvarate vrata hladnjaka kako biste izbegli da predmeti padaju.
- Nemojte davati pakete i druge komponente deci da se igraju. Daska za savijanje i plastična folija mogu dovesti do gušenja! Ne dozvolite deci da uđu ili da se penju na hladnjak kako biste sprečili da deca budu zatvorena u hladnjaku ili da se deca povređuju zbog pada hladnjaka.
- Nemojte prskati ili prati hladnjak; ne stavljajte hladnjak na vlažna mesta koja se lako poprskaju vodom kako ne biste uticali na električnu izolaciju hladnjaka.
- Ne koristite telo hladnjaka, vrata hladnjaka itd. kao pedalu ili podršku.
- Ne stavljajte teške predmete na ivicu hladnjaka jer bi mogli da padnu prilikom otvaranja ili zatvaranja vrata i mogu izazvati slučajne povrede.

Upozorenja vezana za postavljanje

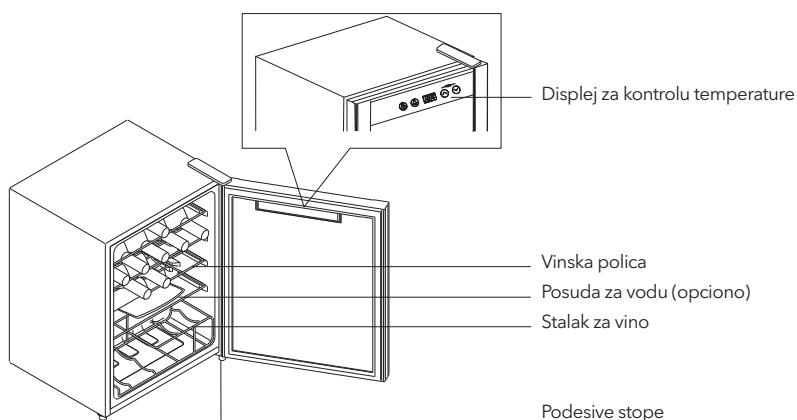
- Ne ostavljajte zapaljivo, eksplozivno, isparljivo i veoma korozivne predmete u hladnjaku kako bi se sprečila oštećenja proizvoda ili požari.
- Ne ostavljajte zapaljive predmete blizu hladnjaka da biste izbegli požar.
- Ovaj proizvod je hladnjak za domaćinstvo i ova oprema se može koristiti samo za skladištenje vina. Prema standardnim zahtevima, kućni hladnjak se ne sme koristiti u druge svrhe, kao što je skladištenje krvi, lekova ili bioloških proizvoda.

Upozorenja za energiju

1. Hladnjak za vino možda neće raditi konzistentno ako je postavljen na duži period ispod niskog kraja raspona temperatura za koje je hladnjak dizajniran.
2. Potreba lo ne prelazi vreme(a) skladištenja koje preporučuju proizvođači vina za bilo koju vrstu vina.
3. Mere predostrožnosti neophodne za sprečavanje neopravdanog povećanja temperature vina tokom odmrzavanja hladnjaka za vino.
4. Činjenica da porast temperature vina tokom ručnog odmrzavanja, održavanja ili čišćenja može skratiti vek skladištenja.

PRAVILNA UPOTREBA FRIŽIDERA

Nazivi komponenti



Slika iznad je samo za referencu. Stvarna konfiguracija zavisiće od fizičkog proizvoda ili izjave distributera.

- Preporučena temperatura je 12°C; molimo vas da držač za vino bude u originalnom stanju.
- Opseg unutrašnje vlažnosti od 50% do 80% za odeljak za skladištenje vina. (Za EU)
- Temperatura u hladnjaku za vino je 5-18°C, koristi se samo za čuvanje neotvorenog flaširanog vina (crno vino, belo vino, roze vino).
- Ne stavljajte hranu u hladnjak za vino da biste sprečili bakterijsku kontaminaciju.
- Molimo vas da unutrašnjost vinskog ormarića bude suva, pijte flaširano vino tokom perioda važenja.

Kontrola temperature



Slika iznad je samo za referencu. Stvarna konfiguracija zavisice od fizickog proizvoda ili izjave distributera.

Kontrola ekrana

Kada prvi put uključite hladnjak za vino, ekran će se prikazati u potpunosti u trajanju od 3 sekunde, a ton za pokretanje će zazvoniti, a zatim ući u ekran normalnog rada;

Kada je u zaključanom stanju, ekran će se isključiti ako ne pritisnete taster 30 sekundi; ekran ekrana povratu normalan prikaz ako se radi o bilo kojoj tasterskoj operaciji.



Ovaj hladnjak usvaja kontrolu na dodir staklenih vrata. Lagano dodirnite kada pritisnete tastere. Treba izbegavati da oblast displeja bude ogrebana ostrim stvarima i treba ga držati dalje od okruženja visokog magnetnog polja i visoke vlažnosti. U suprotnom, hladnjak je moguće da se ne podesi i ne radi normalno.

Zaključavanje i otključavanje

U zaključanom stanju, dugo pritisnite taster Zaključaj je rasterećen; oblast prikaza će treptati;

U otključanom stanju, dugo pritisnite taster Zaključaj država;

Osim funkcije osvetljenja, sledeće funkcije će se obavljati u otključanom stanju.

Osvetljenje

Pritisnite „taster za prekidač svetla ” da biste uključili ili isključili svetlo.

Prebacivanje temperature Farenhajta i temperature Celzijusa

Pritisnite „taster za povećanje temperature ” i „taster za smanjenje temperature ” u isto vreme da završite prebacivanje temperature Celzijusa i temperature Farenhajta; oblast displeja će prikazati podešenu temperaturu Farenhajta ili temperaturu Celzijusa u postojećem režimu.

Podešavanje temperature

Pritisnite „Taster za povećanje temperature ”, temperatura će porasti za 1°C (ili °F). Nakon zaključavanja, hladnjak će raditi prema vrednosti podešavanja;

Pritisnite „Taster za spuštanje temperature ”, temperatura će se smanjiti za 1°C (ili °F). Nakon zaključavanja, hladnjak će raditi prema vrednosti podešavanja.



Opseg podešavanja Celzijusove temperature: 5°C~18°C; opseg podešavanja temperature Farenhajta: 41°F-65°F.

Funkcija memorije

Hladnjak ima funkciju memorije za isključivanje. Nakon ponovnog uključivanja, hladnjak će raditi u skladu sa postavkom pre isključivanja.

Indikacija greške

Ako je indikacija sledeće tabele prikazana na displeju, to znači da je hladnjak neispravan.

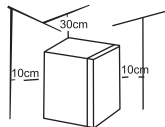
Kod greške	E1	E4
Opis	Senzor temperature hladnjaka za vino sa greškom	Greška senzora odmrzavanja hladnjaka za vino



Kada se gore navedeni kvarovi prikažu na ekranu, nemojte rastavljati hladnjak za vino da biste sami proverili. Za održavanje obratite se specijalnom osoblju za održavanje lokalne kompanije za postprodajne usluge.

Postavljanje

- Pre upotrebe hladnjaka, uklonite sav materijal za pakovanje uključujući donje jastuke i penaste jastučice i trake unutar hladnjaka, otkinite zaštitni film na vratima i kućištu hladnjaka.
- Izbegavajte direktnu sunčevu svetlost i izvore toplote kao što su peć, radiator za grejanje itd.
- Hladnjak se postavlja u dobro provetreno zatvoreno mesto; podloga treba da bude ravna i čvrsta (rotirajte levo ili desno da podesite točak za nivelisanje ako je nestabilno).
- Gornji prostor hladnjaka treba da bude veći od 30 cm, a rastojanje sa obe strane i sa zadnje strane treba da bude veće od 10 cm da bi se olakšalo rasipanje toplote.
- Ovaj hladnjak treba da se instalira nezavisno i ne može se koristiti kao ugrađeni. Inače, to će izazvati probleme kao što je neuspeh pri instalaciji u kabinet, performanse i život proizvod se smanjuje. I proizvođač ne pruža osnovnu garanciju za proizvod.

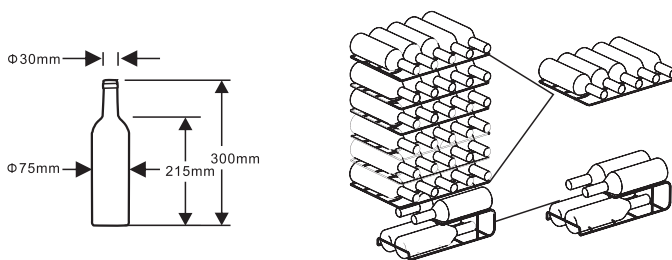


Počnite sa upotrebom

- Nakon transporta, ostavite hladnjak za vino da stoji duže od 2 sata pre nego što uključite struju, inače će to dovesti do smanjenja rashladnog kapaciteta ili oštećenja hladnjaka za vino. Hladnjak će ostati pola sata pre uključivanja struje kada se prvi put pokrene. Očistite unutrašnju komoru pre prve upotrebe.
- Izvucite dodatak u slučaju nestanka struje ili čišćenja. Ne priključujte hladnjak za vino na napajanje u roku od pet minuta da biste sprečili oštećenje kompresora usled uzastopnih pokretanja.
- U procesu rada kompresora, na zadnjem zidu rashladne komore će se formirati kapljice vode ili inje, što je normalna pojava. Posle nekog vremena, mraz će se istopiti u vodu i teći u posudu za vodu da ispari.
- Nemojte povezivati hladnjak na elektronski štedljivi utikač i pretvarač koji može da konvertuje jednosmernu struju u naizmjeničnu (npr.: solarni energetska sistem, brodska mreža).

Raspored boca

- Ne dozvolite da flaša dodiruje zadnju stranu hladnjaka za vino kako biste održali dobru cirkulaciju vazduha u hladnjaku.
- Broj boca ovde može da se razlikuje od broja boca u različitim oblicima i veličinama.
- Kapacitet za skladištenje boca u vinskom ormariću je zasnovan na sledećoj označenoj veličini boce. Prevelike boce mogu uticati na broj flaša koje se čuvaju u vinskom ormariću.



Slika iznad je samo za referencu. Stvarna konfiguracija zavisiće od fizičkog proizvoda ili izjave distributera.

Praktične veštine za čuvanje vina od grožđa

- Ne čuvajte flaširano vino po kutijama ili kutijama u frižideru.
- Čep stare flaše uvek mora biti natopljen vinom kada se stavlja u hladnjak za vino. Vazdušni prostor između vina i plute nije dozvoljen.
- Otvorena polica za flaše je korisna, jer ne prekida cirkulaciju vazduha. Vazдушna vlaga koja se kondenzovala na boci može se brzo osušiti.
- Vino pre pijenja: na primer, stavite ružičasto crno vino na sto 2-5 sati pre pijenja i crno vino 4-5 sati, a zatim može dostići odgovarajuću temp. Belo vino, naprotiv, može se poslužiti pravo na stolu. Šampanjac se uvek čuva u hladnjaku i vadi samo pre pijenja.
- Imajte na umu da je temperatura vina uvek niža od idealne temperature za serviranje, jer će temperatura odmah porasti za 1 do 2°C kada se sipa u čašu.

Temperatura serviranja

Ukus vina zavisi od odgovarajuće temperature točenja; stoga ii određuje njen ukus. Predlažemo da temperatura vina dostigne sledeći stepen prilikom točenja:

Vrste vina	Temp. posluživanja
Bordo crvena	18°C
Louis Famili suvo crveno vino/Barolo	17°C
Burgundska crvena/bordo crvena	16°C
Port	15°C
Young Burgundy red	14°C
Young red wine	12°C
Young Beaujolais/sva bela vina sa malo zaostalog šećera	11°C
Stara bela vina/Chardonnay	10°C
Sherry	9°C
Mlada bela vina iz kasne berbe	8°C
Bela vina Loire/Entre-deux-Mers	7°C

Saveti za uštedu energije

- Hladnjak treba postaviti u suvu i provetrenu prostoriju. Hladnjak se ne sme stavljeti na direktnu sunčevu svetlost ili pored izvora toplote (kao što je radiator, šporet itd.), a po potrebi se postavlja odgovarajuća izolaciona ploča.
- Pokušajte da skratite vreme otvaranja vrata hladnjaka

ODRŽAVANJE HLADNJAKA ZA VINO

Isključite hladnjak za vino

Isključite utikač za napajanje da biste isključili hladnjak.

Prestanite da koristite hladnjak za vino

Ako se hladnjak ne koristi duže vreme, molimo:

1. Isključite hladnjak;
2. Očistite hladnjak;
3. Držite vrata hladnjaka otvorena.

Očistite hladnjak za vino

- Prašina iza hladnjaka za vino i na tlu se blagovremeno čisti kako bi se poboljšao efekat hlađenja i ušteda energije.
- Redovno proveravajte zaptivku vrata da biste bili sigurni da nema ostataka. Očistite zaptivku vrata mekom krpom navlaženom vodom sa sapunom ili razblaženim deterdžentom.
- Unutrašnjost hladnjaka za vino treba redovno čistiti kako bi se izbegao miris.
- Isključite napajanje pre čišćenja, uklonite piće, police itd.
- Unutrašnjost hladnjaka za vino očistite mekom krpom ili sunderom, sa dve kašike sode bikarbone i litrom tople vode. Zatim isperite vodom i osušite mekom krpom. Nakon čišćenja, otvorite vrata i pustite da se prirodno osuše pre nego što uključite napajanje.
- Za područja koja se teško čiste u hladnjaku za vino (kao što su uski sendviči, praznine ili uglovi), preporučuje se redovno brisanje mekom krpom, mekom četkom i sl., a kada je potrebno, u kombinaciji sa nekim pomoćnim alatima (kao što su tanki štapići) kako bi se osiguralo da nema zagađivača ili akumulacije bakterija u ovim oblastima.
- Nemojte koristiti sapune, deterdžente, sredstva za čišćenje u spreju itd. za čišćenje unutrašnjosti vašeg hladnjaka jer oni mogu stvoriti mirise ili kontaminaciju.
- Očistite police mekom krpom navlaženom vodom sa sapunom ili razblaženim deterdžentom. Zatim isperite vodom i osušite mekom krpom ili osušite prirodnim putem.
- Drveni stalak za vino ne bi trebalo da bude direktno uronjen u tečnost da bi se sprečilo pucanje ili bud nakon vlage. Drveni stalak za vino se čisti suvom mekom krpom. Jako kontaminirani drveni stalak za vino treba očistiti mekom krpom koja je iscedena i osušena na prirodan način.
- Spoljnu površinu hladnjaka za vino obrišite mekom krpom navlaženom vodom sa sapunom, deterdžentom itd., a zatim obrišite suvom. Nemojte trljati ili grebati površinu staklenih vrata kako biste sprečili lomljenje ili grebanje vrata.
- Nemojte koristiti čvrste četke, čiste čelične kuglice, žičane četke, abrazive (kao što je pasta za zube), organske rastvarače (kao što su alkohol, aceton, ulje banane, itd.), ključalu vodu, kiselinu ili alkalne predmete, koji mogu oštetiti vino hladnija površina i unutrašnjost. Kipuća voda i organski rastvarači kao što je benzol mogu deformisati ili oštetiti plastične delove.
- Nemojte ispirati direktno vodom ili drugim tečnostima tokom čišćenja da biste izbegli kratke spojeve ili uticali na električnu izolaciju nakon potapanja. Voda ne bi trebalo da natopi upravljačke elemente rada i sistem osvetljenja u staklenim vratima.

Napomena:

Nemojte koristiti deterdžent i rastvarač sa peskom ili kiselinom.

REŠAVANJE PROBLEMA

Ne radi	Da li je hladnjak priključen i priključen na napajanje; Niski napon; Da li je dugme za kontrolu temperature u radnom području; Kvar napajanja ili kola za okidanje.
Dugotrajan rad kompresora	Normalno, hladnjak radi duže vreme leti kada je temperatura okoline viša; Nemojte stavljati previše pića u hladnjak odjednom; Često otvaranje vrata hladnjaka.
Svetlo ne radi	Da li je hladnjak priključen na napajanje, da li je indikatorna lampica oštećena.
Glasni zvukovi	Da li je pod ravan, da li je postavljanje hladnjaka stabilno; Da li su dodaci hladnjaka pravilno postavljeni.
Pregrevanje na bočnom zidu Površinska kondenzacija	Kućište hladnjaka može da emituje toplotu tokom rada, posebno leti, što je uzrokovano zračenjem kondenzatora i to je normalna pojava. Kondenzacija: pojava kondenzacije će se detektovati na spoljašnjoj površini i zaptivkama vrata hladnjaka kada je vlažnost okoline visoka, ovo je normalna pojava, a nakon brisanja peškirom, pravilno povećava podešenu temperaturu uređaja.
Zvuk protoka vazduha Zujanje Zveckanje	Rashladni fluidi koji cirkulišu u cevovodima za rashladno sredstvo će proizvesti erupciju zvuka i hroptanja, što je normalno, ne utiče na efekat hlađenja. Zujanje će se generisati pokretanjem kompresora, posebno kada se pokreće ili gasi. Elektromagnetni ventil ili električni prekidač će zveckati što je normalna pojava i ne utiče na rad.

Upozorenja za odlaganje



Rashladno sredstvo i ciklopentan penušavi materijal koji se koristi za hladnjak za vino je zapaljiv. Zbog toga, kada se hladnjak za vino rashodi, ii treba da se drži dalje od bilo kakvog izvora vatre i da ga obnovi posebna kompanija za oporavak sa odgovarajućom kvalifikacijom osim da se odlaže sagorevanjem, kako bi se sprečila šteta po životnu sredinu ili bilo koja druga šteta.



Kada je hladnjak za vino napušten, uklonite vrata hladnjaka za vino, kada skidate kućište vrata, obratite pažnju da sprečite štipanje ruku i uklonite zaptivku vrata i police, postavite vrata i police u odgovarajući položaj, tako da deca neće ući da igra i ima nesreću.



Pravilno odlaganje ovog proizvoda:

Ova oznaka ukazuje da ovaj proizvod ne treba odlagati sa drugim kućnim otpadom. Da biste sprečili moguću štetu po životnu sredinu ili ljudsko zdravlje usled nekontrolisanog odlaganja otpada, odgovorno ga reciklirajte kako biste promovisali održivu ponovnu upotrebu materijalnih resursa. Da biste vratili svoj polovni uređaj, koristite sisteme za vraćanje i prikupljanje ili kontaktirajte prodavca kod koga je proizvod kupljen. Oni mogu oduzeti ovaj proizvod za ekološki bezbedno recikliranje.

List sa informacijama o proizvodu

DELEGIRANA UREDBA KOMISIJE (EU) 2019/2016

Naziv ili zaštitni znak dobavljača: Tesla

Adresa dobavljača: Bulevar Zorana Đinđića 125i, Belgrade

Identifikaciona oznaka modela: RW092M

Tip uređaja za rashlađivanje:

Uređaj sa niskim nivoom buke:	Ne	Tip dizajna:	Samostojeći
Uređaj za čuvanje vina:	Da	Ostali uređaji za rashlađivanje:	Ne

Opšti parametri proizvoda:

Parametar	Vrednost	Parametar	Vrednost
Ukupne dimenzije (u milimetrima)	Visina	845	Ukupna zapremina (dm ³ ili l)
	Širina	470	
	Dubina	470	
Indeks energetske efikasnosti – EEl	178	Klasa energetske efikasnosti	G
Emisija buke u vazduhu (dB(A) re 1 pW)	40	Klasa emisije buke u vazduhu	C
Godišnja potrošnja energije (kWh/a)	145	Klimatska klasa:	Proširena umerena, umerena, tropska
Minimalna ambijentalna temperatura (°C), koja je odgovarajuća za ovaj uređaj za rashlađivanje	10	Maksimalna ambijentalna temperatura (°C), koja je odgovarajuća za ovaj uređaj za rashlađivanje	38
Podешavanje za zimu	Ne		

Parametri odeljaka:

Tip odeljka	Parametri odeljka i vrednosti
-------------	-------------------------------

		Zapremina odeljka (dm ³ ili l)	Preporučeno podešavanje temperature za optimizovano čuvanje hrane (°C) Ova podešavanja ne smeju biti u suprotnosti sa uslovima čuvanja definisanim u Aneksu IV, tabela 3	Kapacitet zamrzavanja (kg/24h)	Tip otapanja (automatsko otapanje=A, manuelno otapanje=M)
Ostava	Ne	-	-	-	-
Ostava za vino	Ne	93	-	-	M
Podrum	Ne	-	-	-	-
Sveža hrana	Da	-	-	-	-
Rashlađivanje	Ne	-	-	-	-
0 zvezdica ili pravljenje leda	Ne	-	-	-	-
1 zvezdica	Ne	-	-	-	-
2 zvezdice	Ne	-	-	-	-
3 zvezdice	Ne	-	-	-	-
4 zvezdice	Da	-	-	-	-
Odeljak sa 2 zvezdice	Ne	-	-	-	-
Odeljak sa varijabilnom temperaturom	-	-	-	-	-
Za aparate za skladištenje vina					
Broj standardnih vinskih flaša		34			
Parametri izvora osvetljenja:					
Tip izvora osvetljenja		LED			
Klasa energetske efikasnosti		-			
Minimalno trajanje garancije koju daje proizvođač: 24 meseca					
Dodatne informacije:					
Link ka veb-sajtu proizvođača gde se mogu pronaći informacije iz tačke 4(a) Aneksa Uredbe Komisije (EU) 2019/2019: tesla.info					

TESLA

tesla.info

